



US00D811843S

(12) **United States Design Patent**  
**Matsui et al.**

(10) **Patent No.:** **US D811,843 S**  
(45) **Date of Patent:** **\*\* Mar. 6, 2018**

(54) **JIG**

(71) Applicant: **SHOFU INC.**, Kyoto (JP)

(72) Inventors: **Norihiro Matsui**, Kyoto (JP);  
**Masayoshi Nishizawa**, Kyoto (JP);  
**Tomohiro Kai**, Kyoto (JP)

(73) Assignee: **SHOFU INC.** (JP)

(\*\*) Term: **15 Years**

(21) Appl. No.: **29/583,212**

(22) Filed: **Nov. 3, 2016**

(30) **Foreign Application Priority Data**

May 30, 2016 (JP) ..... 2016-011384

(51) **LOC (11) Cl.** ..... **08-05**

(52) **U.S. Cl.**

USPC ..... **D8/70**

(58) **Field of Classification Search**

USPC ..... D8/70, 71, 74, 354; D15/140, 143, 147

CPC ..... B25F 5/021; B27C 5/10

See application file for complete search history.

D460,469 S \* 7/2002 Yue ..... D15/140

D467,485 S \* 12/2002 Daniels ..... D15/140

D488,696 S \* 4/2004 Merritt ..... D8/70

7,243,429 B2 \* 7/2007 Landes ..... H02G 1/1221  
30/90.1

D623,034 S \* 9/2010 Evatt ..... D8/70

D646,542 S \* 10/2011 Wackwitz ..... D8/70

D653,523 S \* 2/2012 Wackwitz ..... D15/138

D665,242 S \* 8/2012 Wackwitz ..... D15/140

D682,651 S \* 5/2013 McRoberts ..... D8/20

D696,093 S \* 12/2013 MacKay-Sim ..... D8/70

D714,119 S \* 9/2014 Graber ..... D8/70

D738,178 S \* 9/2015 Eisinger ..... D8/70

2002/0022444 A1 \* 2/2002 Littlefield ..... B24B 23/00  
451/353

2013/0149057 A1 \* 6/2013 Nisikawa ..... B23B 51/048  
408/83

\* cited by examiner

*Primary Examiner* — Darlington Ly  
(74) *Attorney, Agent, or Firm* — Saidman DesignLaw  
Group, LLC

(57) **CLAIM**

The ornamental design for a jig, as shown and described.

**DESCRIPTION**

FIG. 1 is a perspective view of a jig showing our new design;  
FIG. 2 is a left side elevational view thereof;  
FIG. 3 is a right side elevational view thereof;  
FIG. 4 is a front elevational view thereof;  
FIG. 5 is a rear elevational view thereof;  
FIG. 6 is a top plan view thereof; and,  
FIG. 7 is a bottom plan view thereof.  
The broken lines illustrate structure or features that form no  
part of the claimed design.

**1 Claim, 6 Drawing Sheets**

(56) **References Cited**

U.S. PATENT DOCUMENTS

D263,199 S \* 3/1982 Lockie ..... D8/71

D271,978 S \* 12/1983 Bagby ..... D15/138

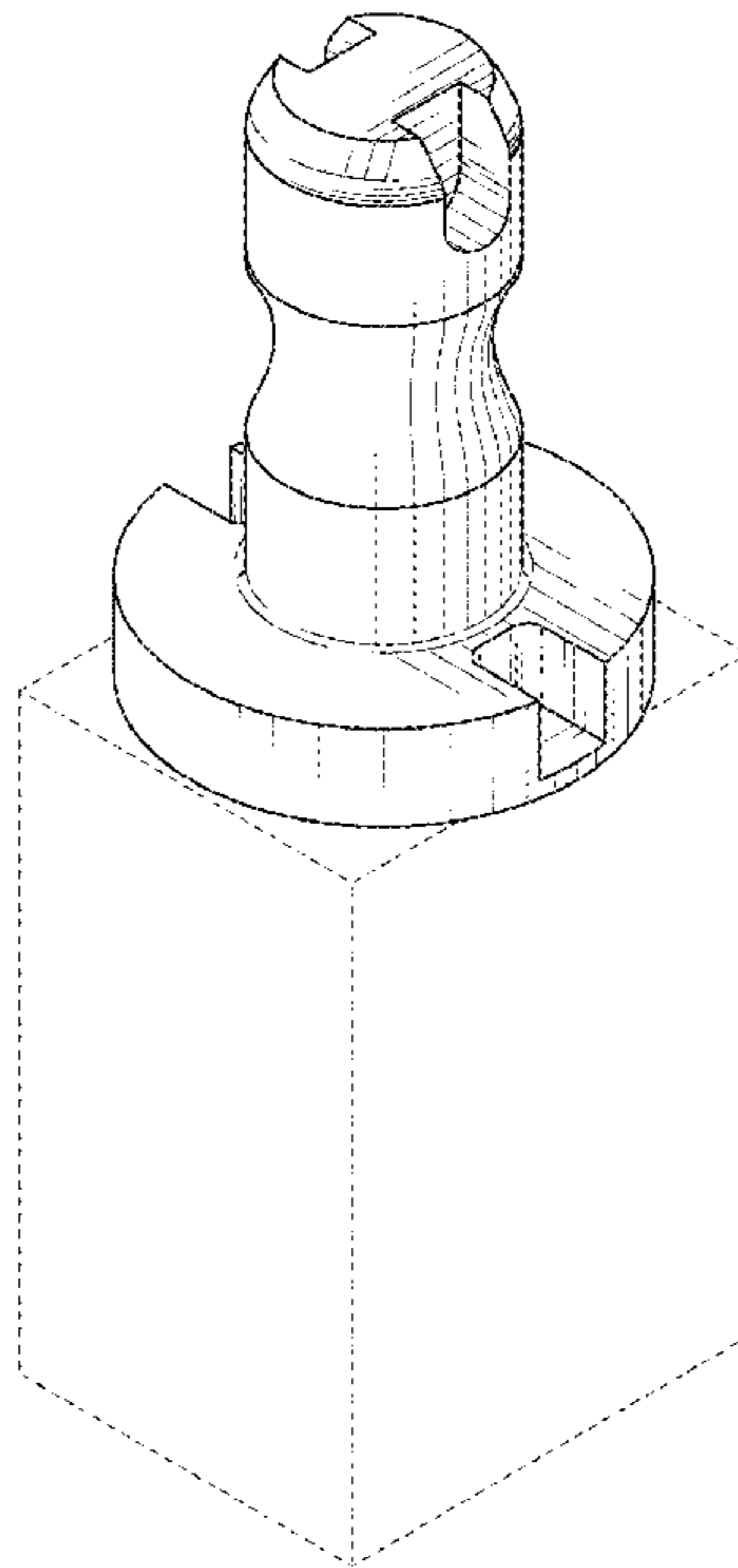
D319,565 S \* 9/1991 Krogsgaard ..... D15/138

D329,182 S \* 9/1992 Challis ..... D15/140

5,664,913 A \* 9/1997 Scholz ..... B23B 49/02  
408/115 B

D412,511 S \* 8/1999 Lefevre ..... D15/140

D420,688 S \* 2/2000 Ichihara ..... D15/143



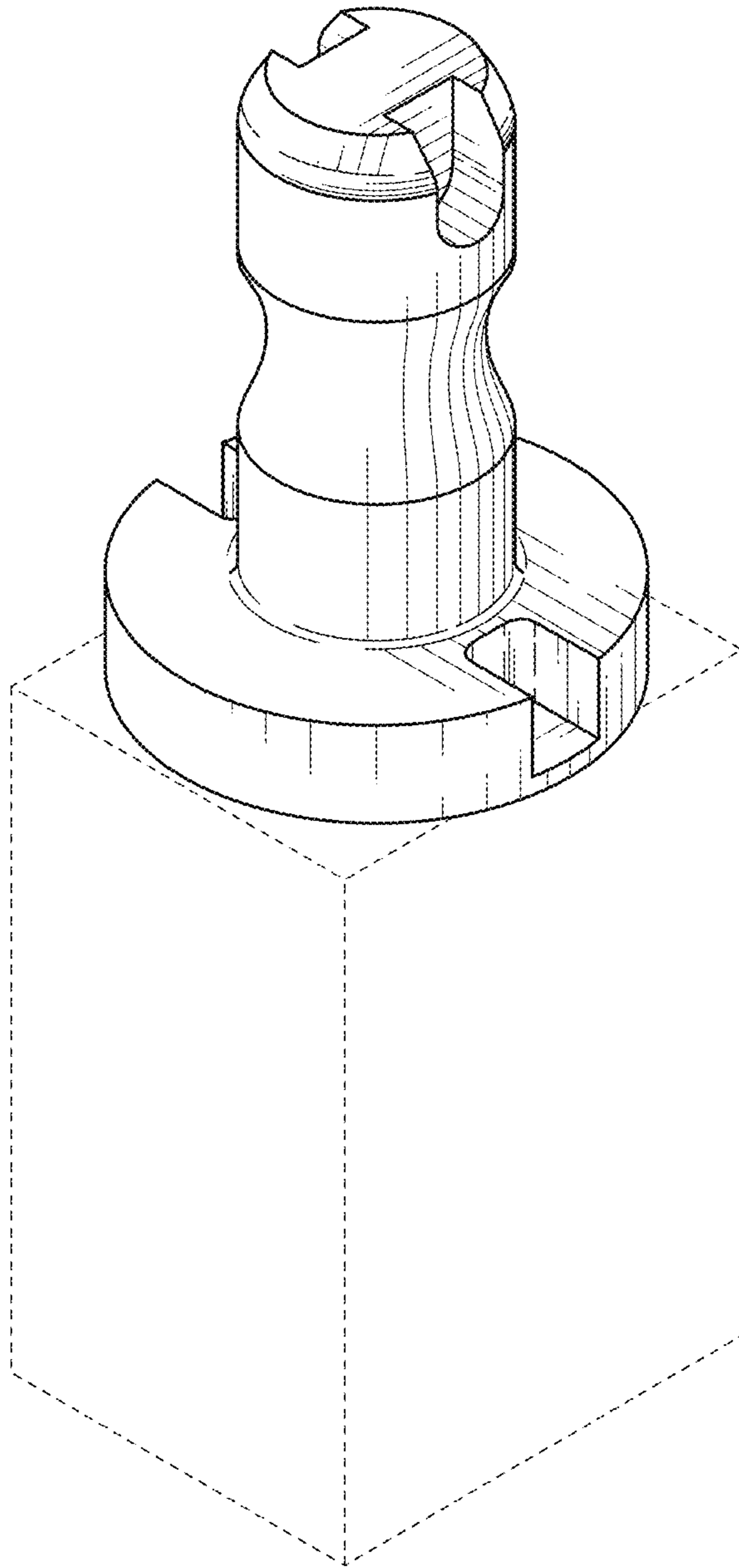


FIG. 1

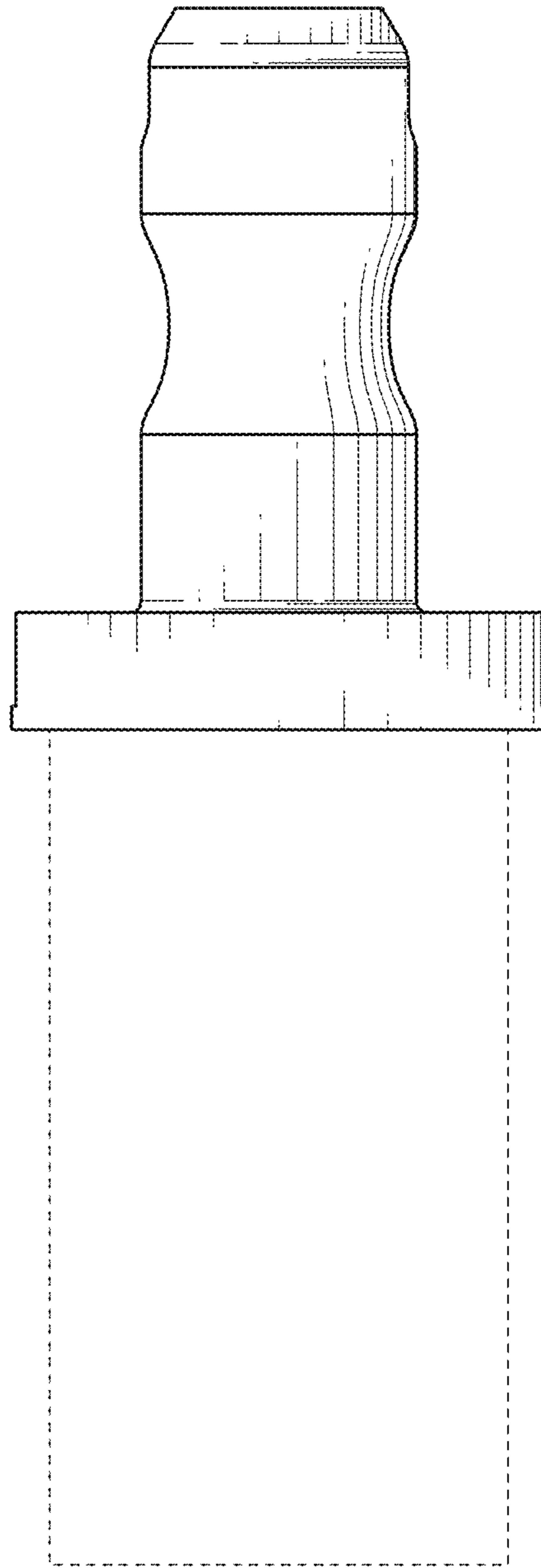


FIG. 2

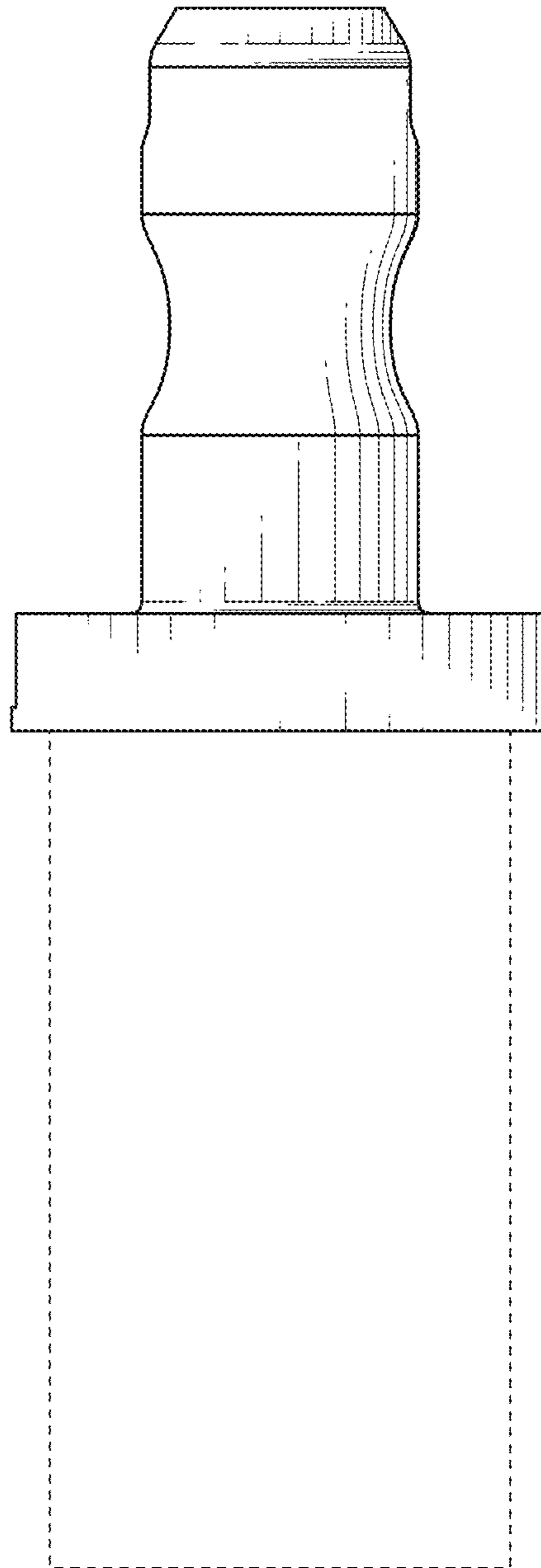


FIG. 3

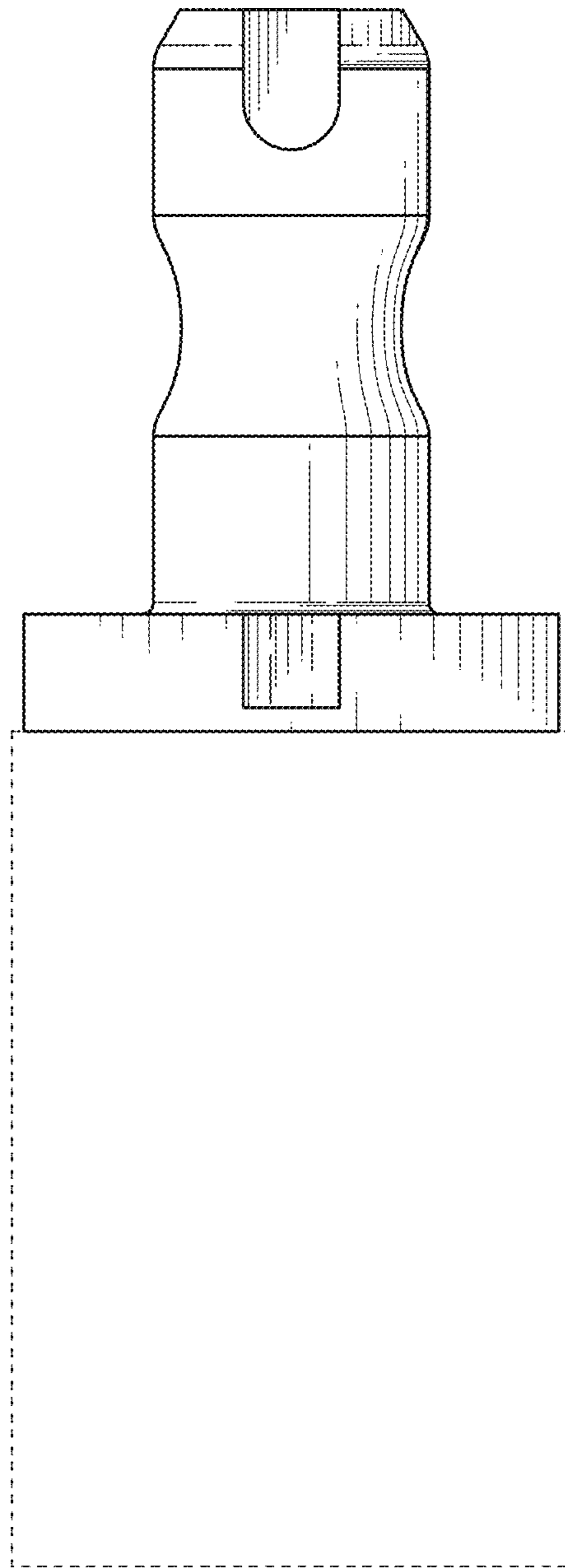


FIG. 4

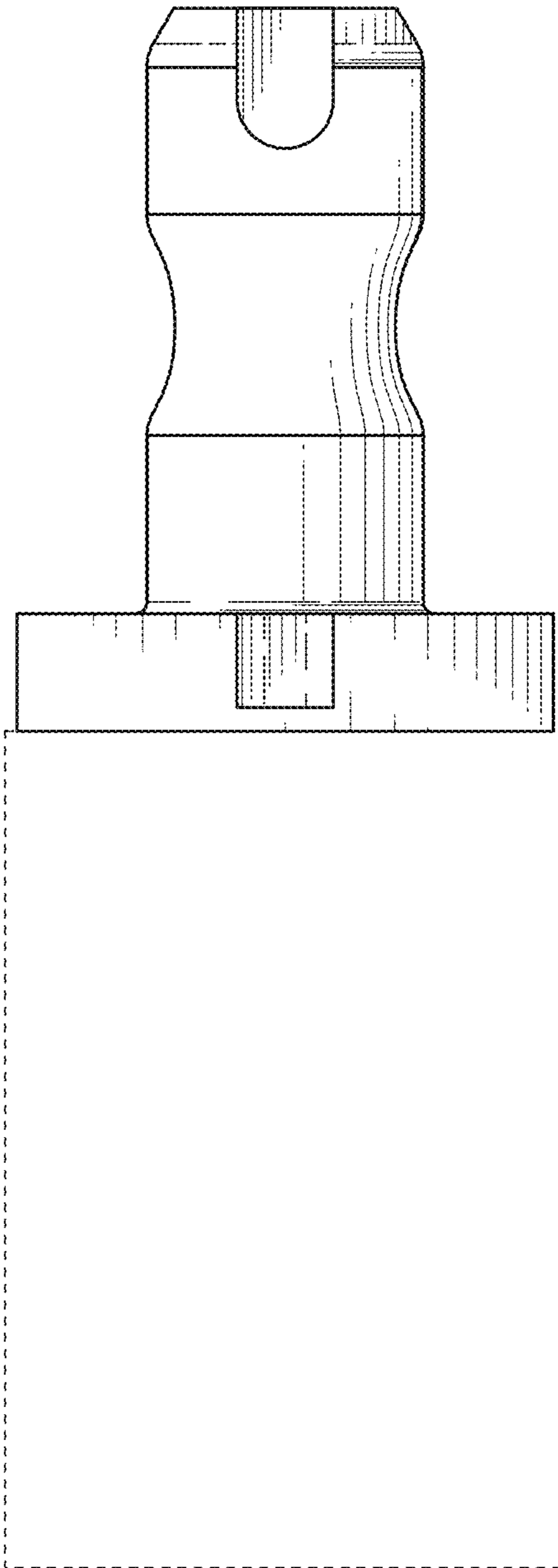


FIG. 5

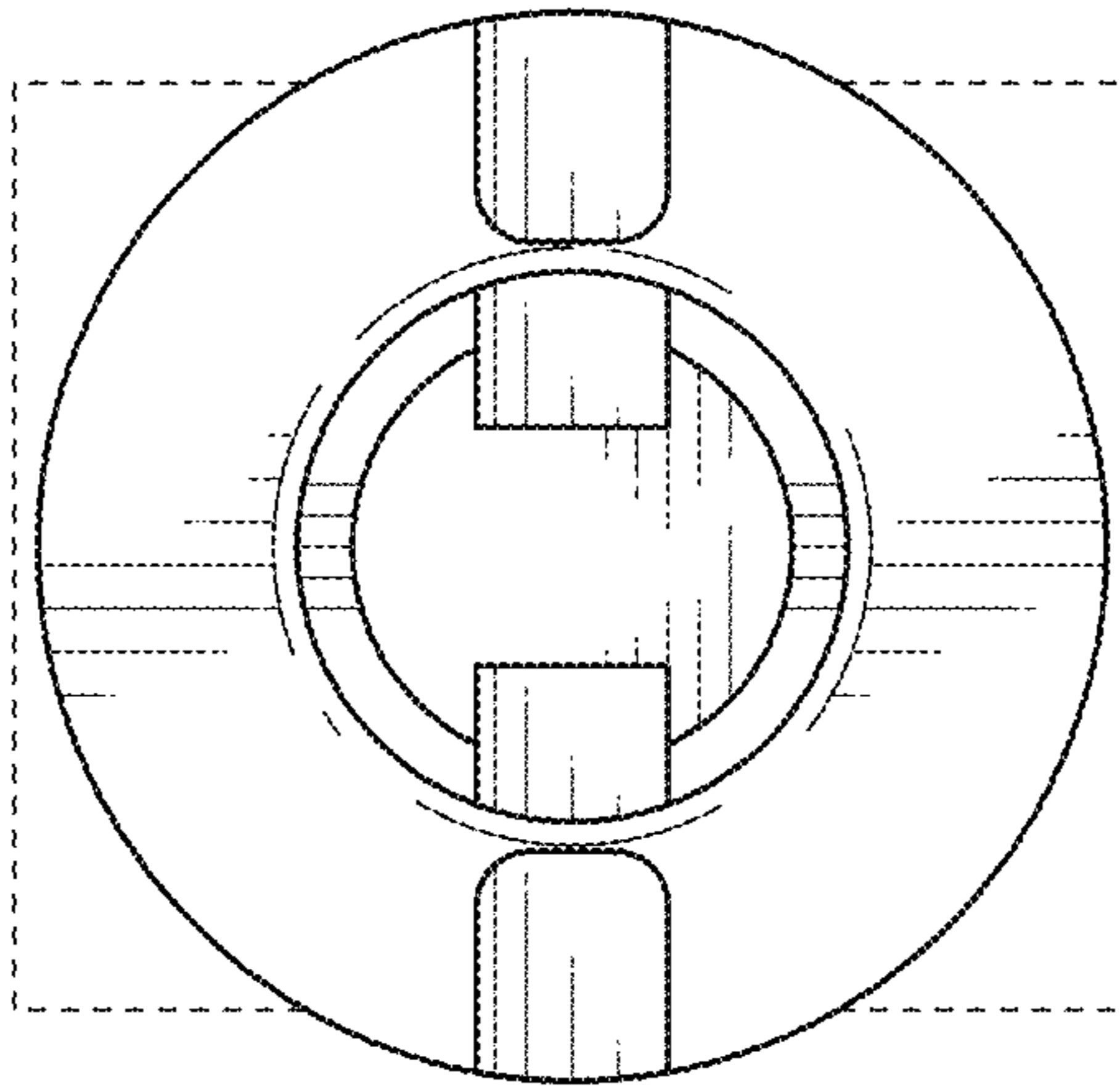


FIG. 6

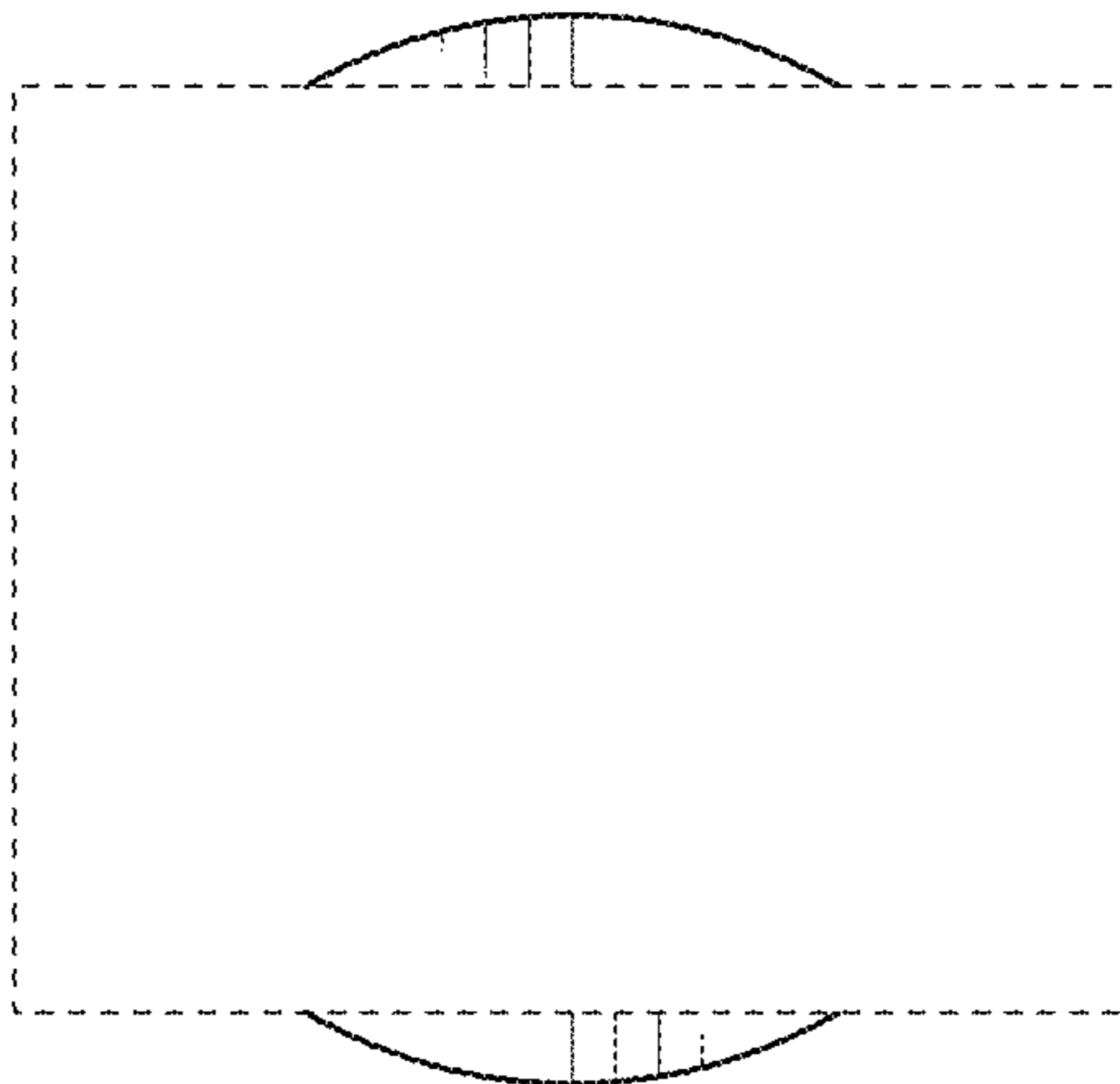


FIG. 7