



US00D811840S

(12) **United States Design Patent**
Huang

(10) **Patent No.:** **US D811,840 S**
(45) **Date of Patent:** **** Mar. 6, 2018**

- (54) **CV BOOT INSTALLATION TOOL**
- (71) Applicant: **Ching-Fong Huang**, Taichung (TW)
- (72) Inventor: **Ching-Fong Huang**, Taichung (TW)

7,930,809 B2 * 4/2011 Huang B23P 19/086
29/235
2004/0177485 A1 * 9/2004 Lihod B25B 27/28
29/450
2009/0249600 A1 * 10/2009 Huang B23P 19/086
29/235

(**) Term: **15 Years**

* cited by examiner

(21) Appl. No.: **29/588,747**

Primary Examiner — Philip S Hyder
(74) *Attorney, Agent, or Firm* — Aslan Law, P.C.

(22) Filed: **Dec. 22, 2016**

(57) **CLAIM**

(51) **LOC (11) Cl.** **08-05**

The ornamental design for a CV boot installation tool, as shown and described.

(52) **U.S. Cl.**

DESCRIPTION

USPC **D8/51; D8/14**

(58) **Field of Classification Search**

USPC D8/14, 51, 70, 71
CPC B23P 19/086; Y10T 29/53683; Y10T
29/53657

See application file for complete search history.

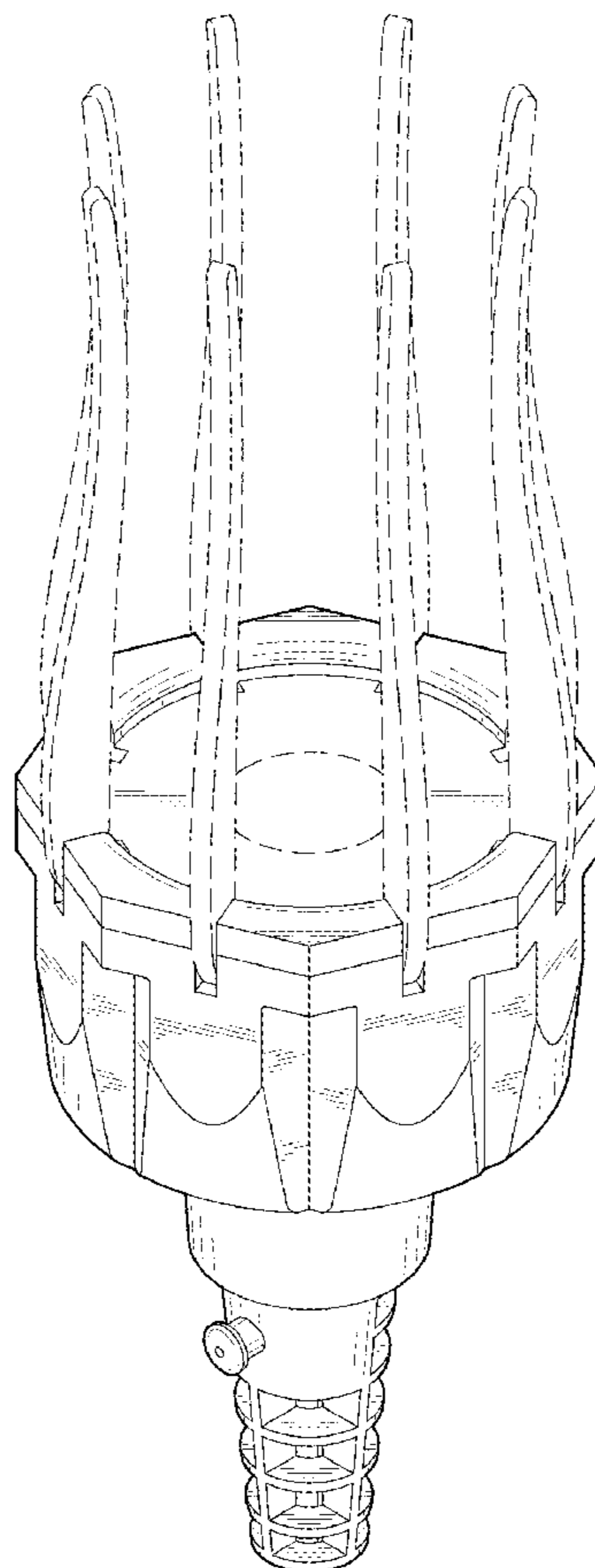
FIG. 1 is a perspective view of a CV boot installation tool showing my new design;
FIG. 2 is a front elevational view thereof;
FIG. 3 is a rear elevational view thereof;
FIG. 4 is a left side elevational view thereof;
FIG. 5 is a right side elevational view thereof;
FIG. 6 is a top plan view thereof;
FIG. 7 is a bottom plan view thereof; and,
FIG. 8 is another perspective view thereof.
The broken lines depict portions of the CV boot installation tool in which the design is embodied that are not considered part of the claimed design.

(56) **References Cited**

U.S. PATENT DOCUMENTS

- 4,291,454 A * 9/1981 Sawaryn B25B 27/28
29/235
- 6,976,296 B2 * 12/2005 Boudreault B25B 27/28
29/235

1 Claim, 7 Drawing Sheets



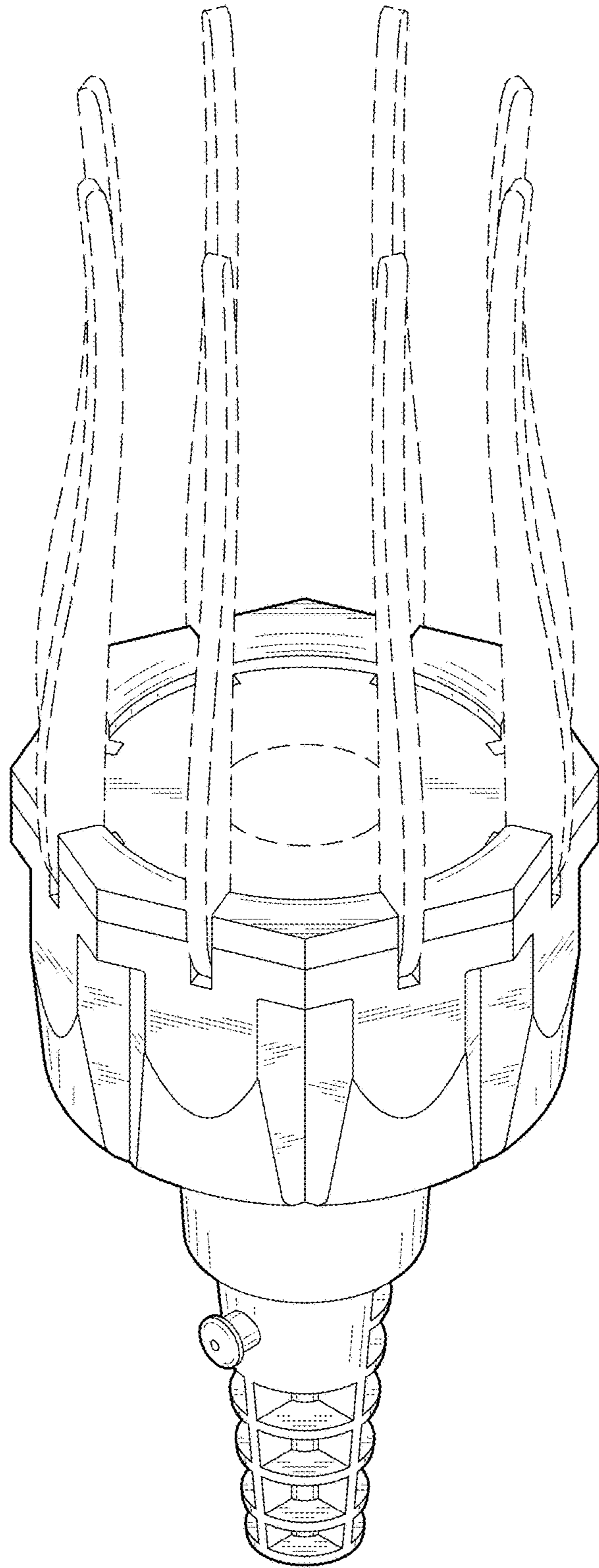


FIG. 1

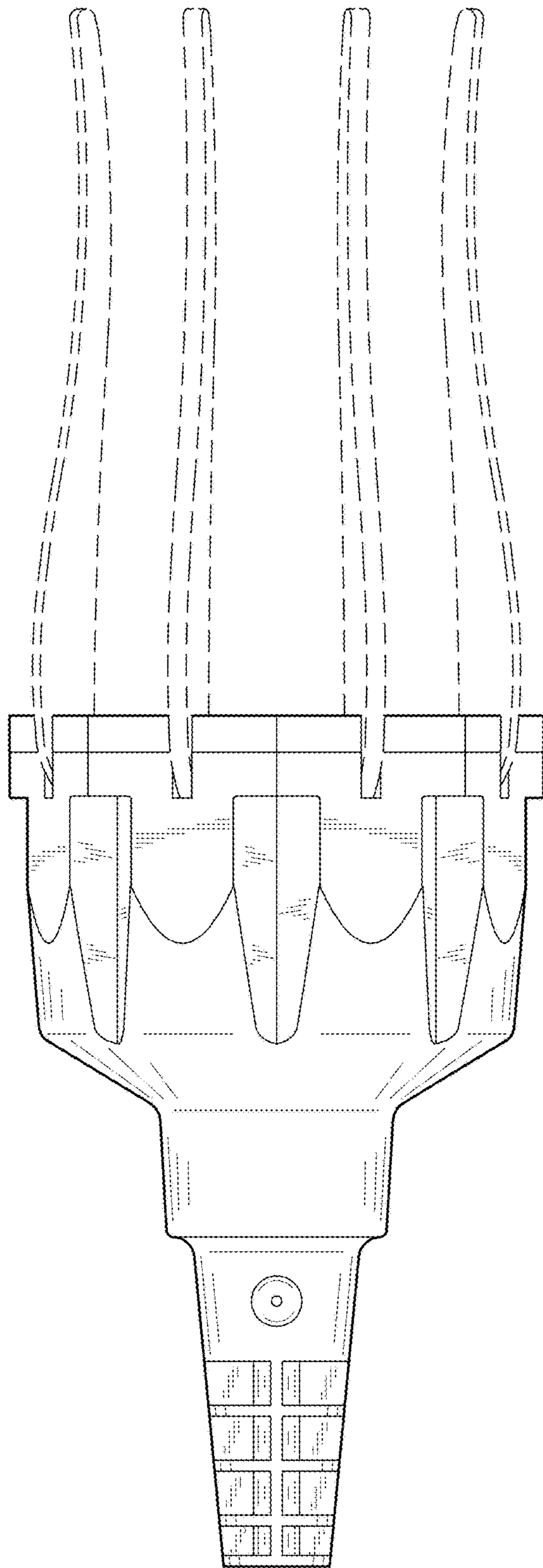


FIG. 2

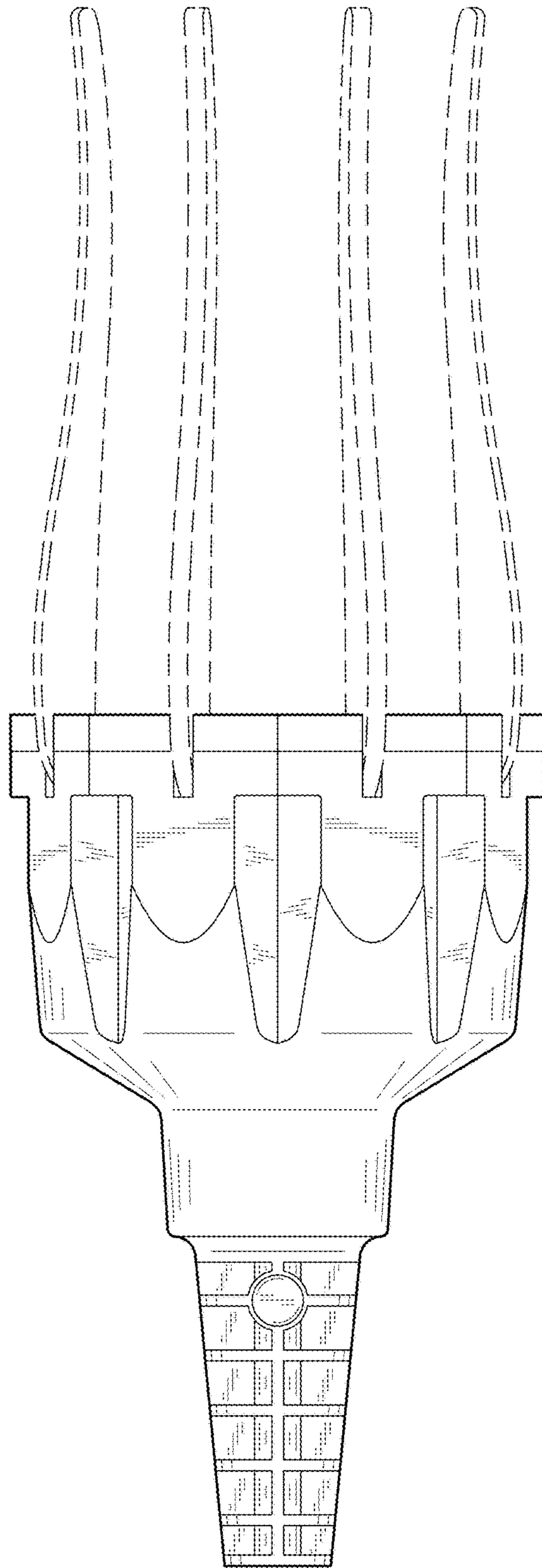


FIG. 3

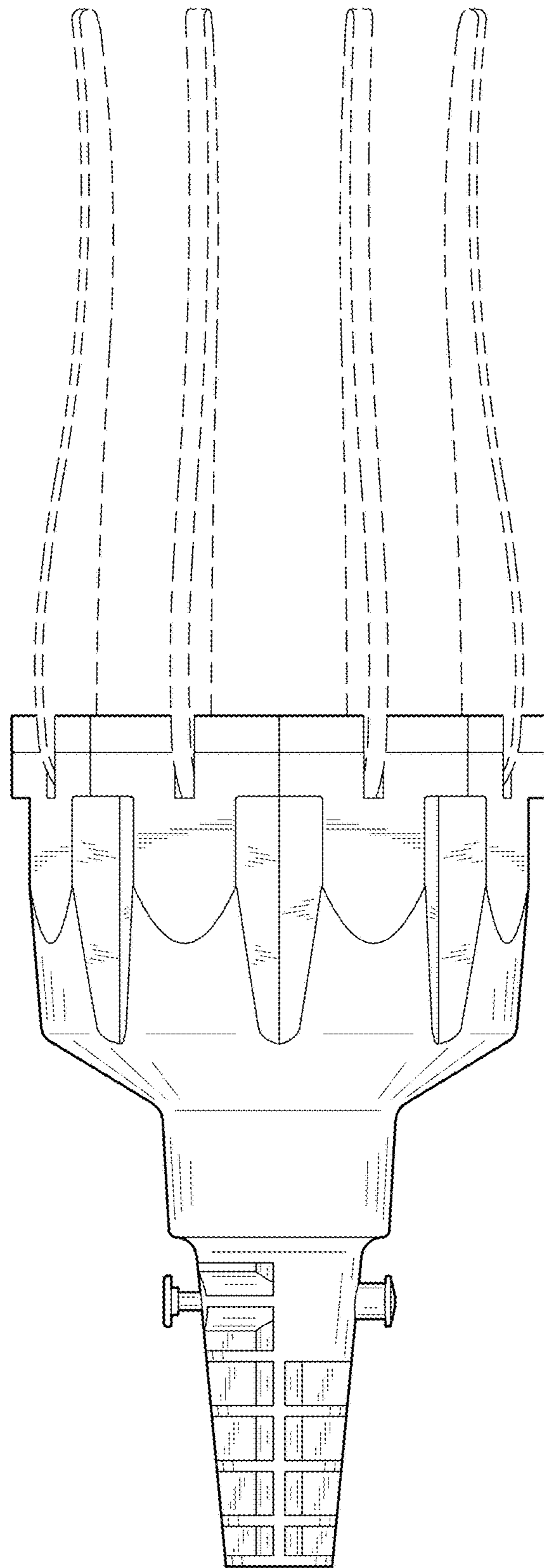


FIG. 4

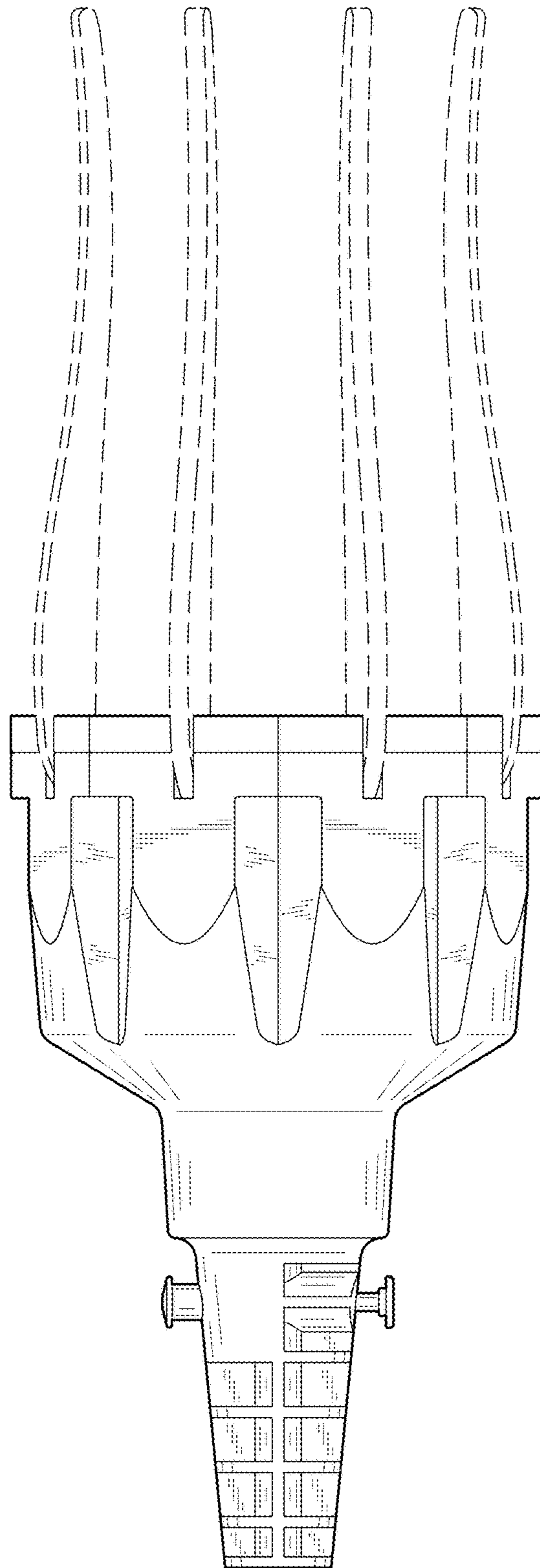


FIG. 5

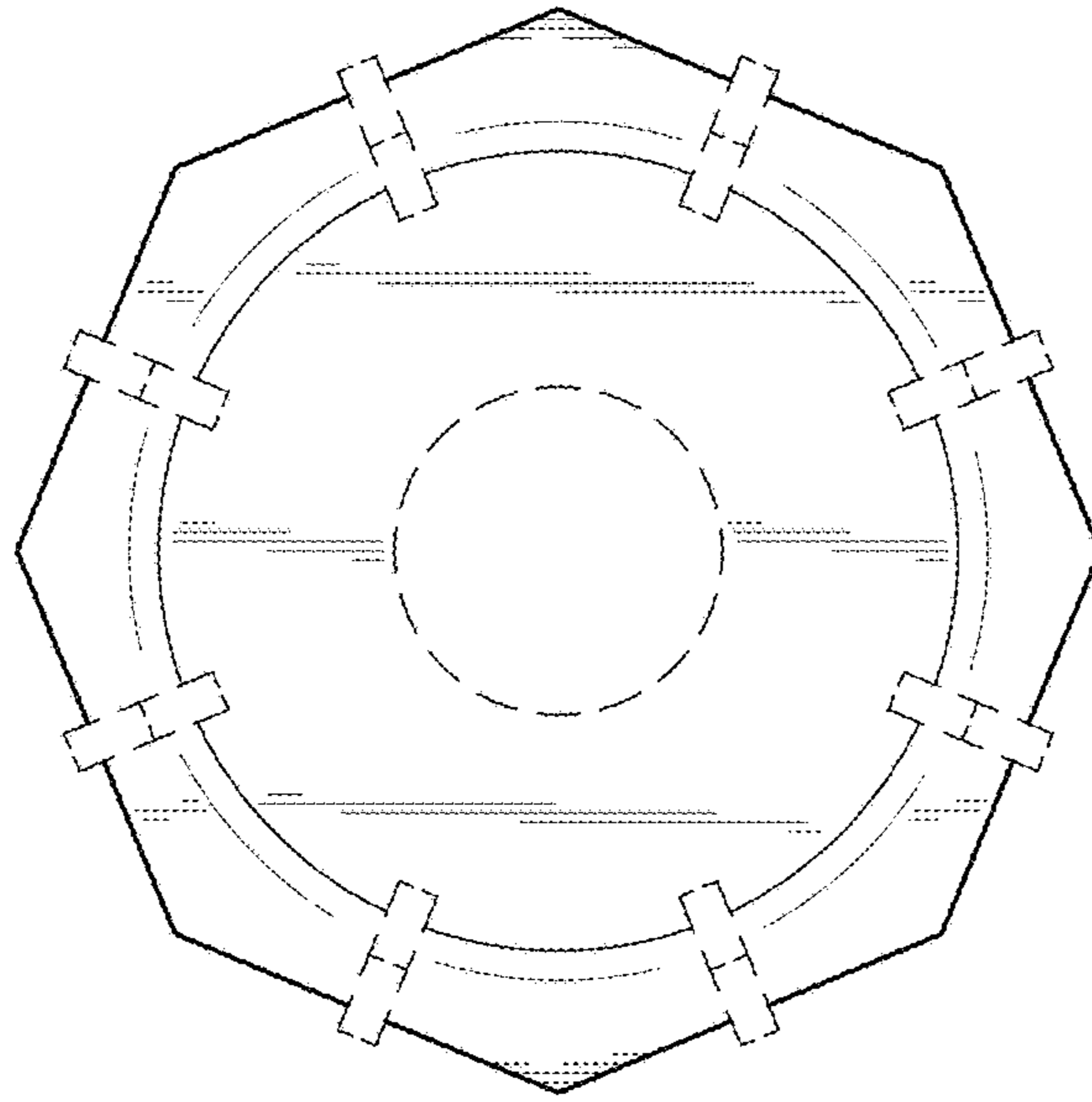


FIG. 6

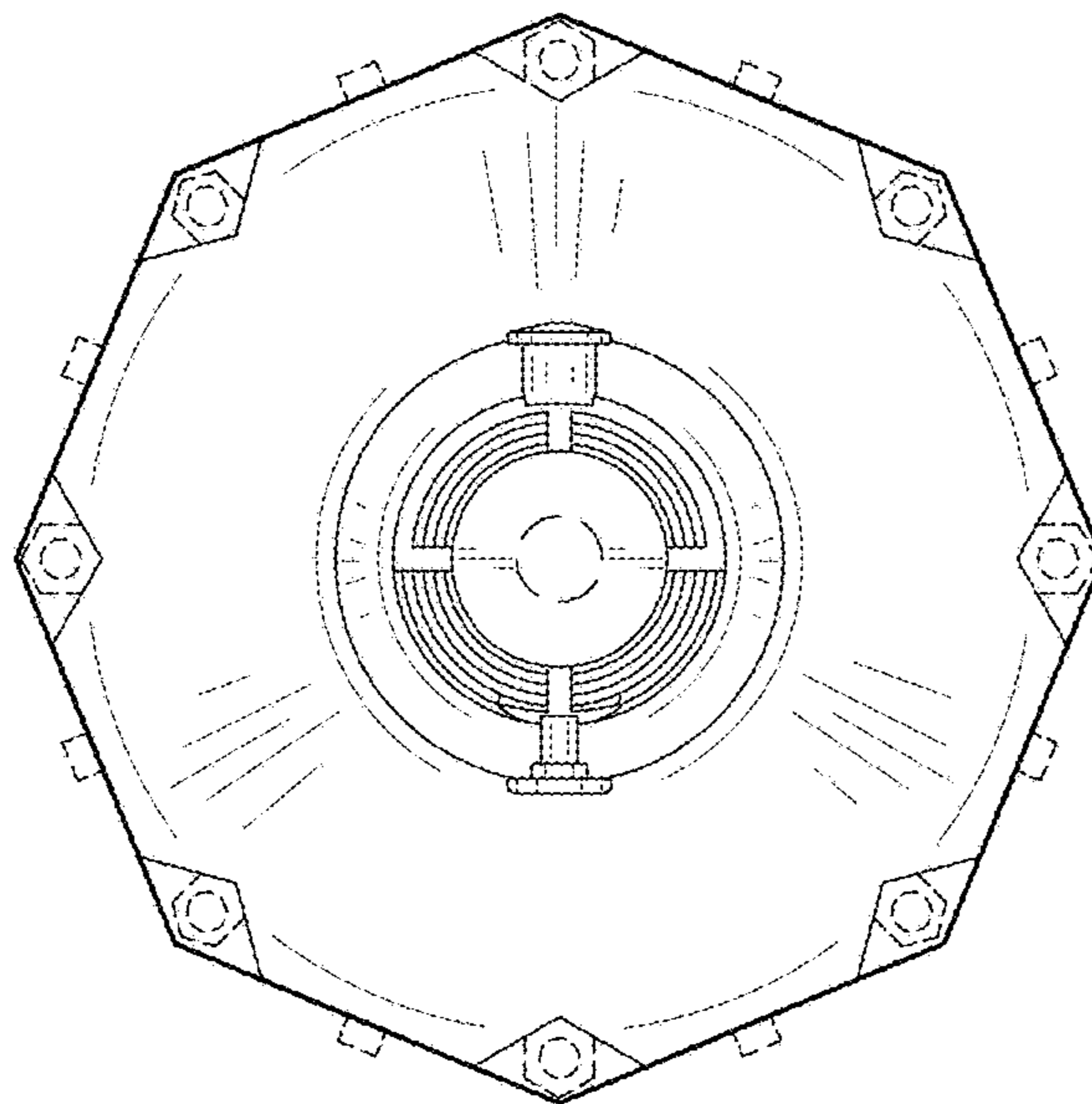


FIG. 7

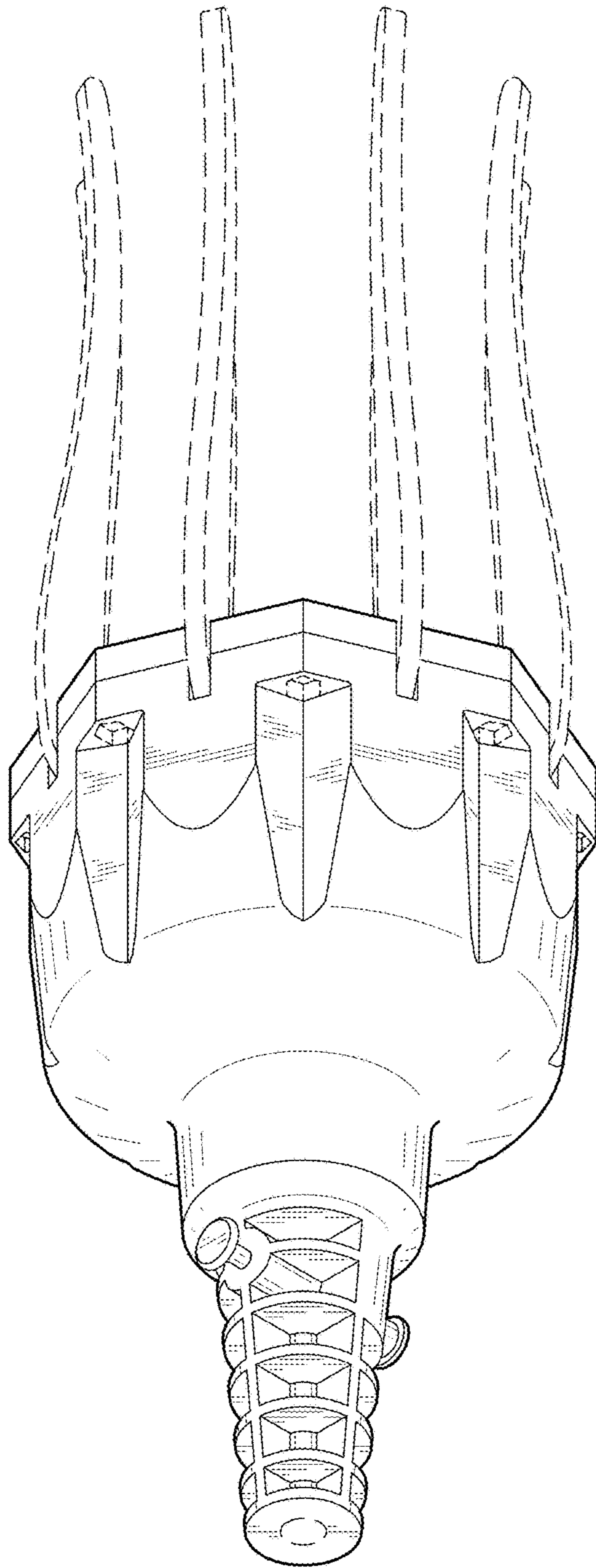


FIG. 8