



US00D811837S

(12) **United States Design Patent**  
**Brandes**

(10) **Patent No.:** **US D811,837 S**

(45) **Date of Patent:** **\*\* Mar. 6, 2018**

(54) **BOTTLE OPENER BRACKET**

D488,689 S \* 4/2004 Smith, IV ..... D8/18  
D544,766 S \* 6/2007 Hayes ..... D8/37  
D741,673 S \* 10/2015 Seiders ..... D8/33

(71) Applicant: **Jeffrey William Brandes**, Cat Spring,  
TX (US)

\* cited by examiner

(72) Inventor: **Jeffrey William Brandes**, Cat Spring,  
TX (US)

*Primary Examiner* — Robert M. Spear  
*Assistant Examiner* — Eliza Z Bennett-Hattan

(\*\*) Term: **15 Years**

(74) *Attorney, Agent, or Firm* — Conley Rose, P.C.;  
William H. Dietrich

(21) Appl. No.: **29/588,595**

(57) **CLAIM**

(22) Filed: **Dec. 21, 2016**

I claim the ornamental design for the bottle opener bracket,  
as shown and described.

(51) **LOC (11) Cl.** ..... **07-06**

(52) **U.S. Cl.**  
USPC ..... **D8/18; D8/34**

**DESCRIPTION**

(58) **Field of Classification Search**  
USPC ..... D8/33, 34, 37, 300, 301, 321, 377, 363,  
D8/366, 373  
CPC .... B67B 7/16; B67B 7/18; B67B 7/44; B67B  
7/0441; B67B 7/0417  
See application file for complete search history.

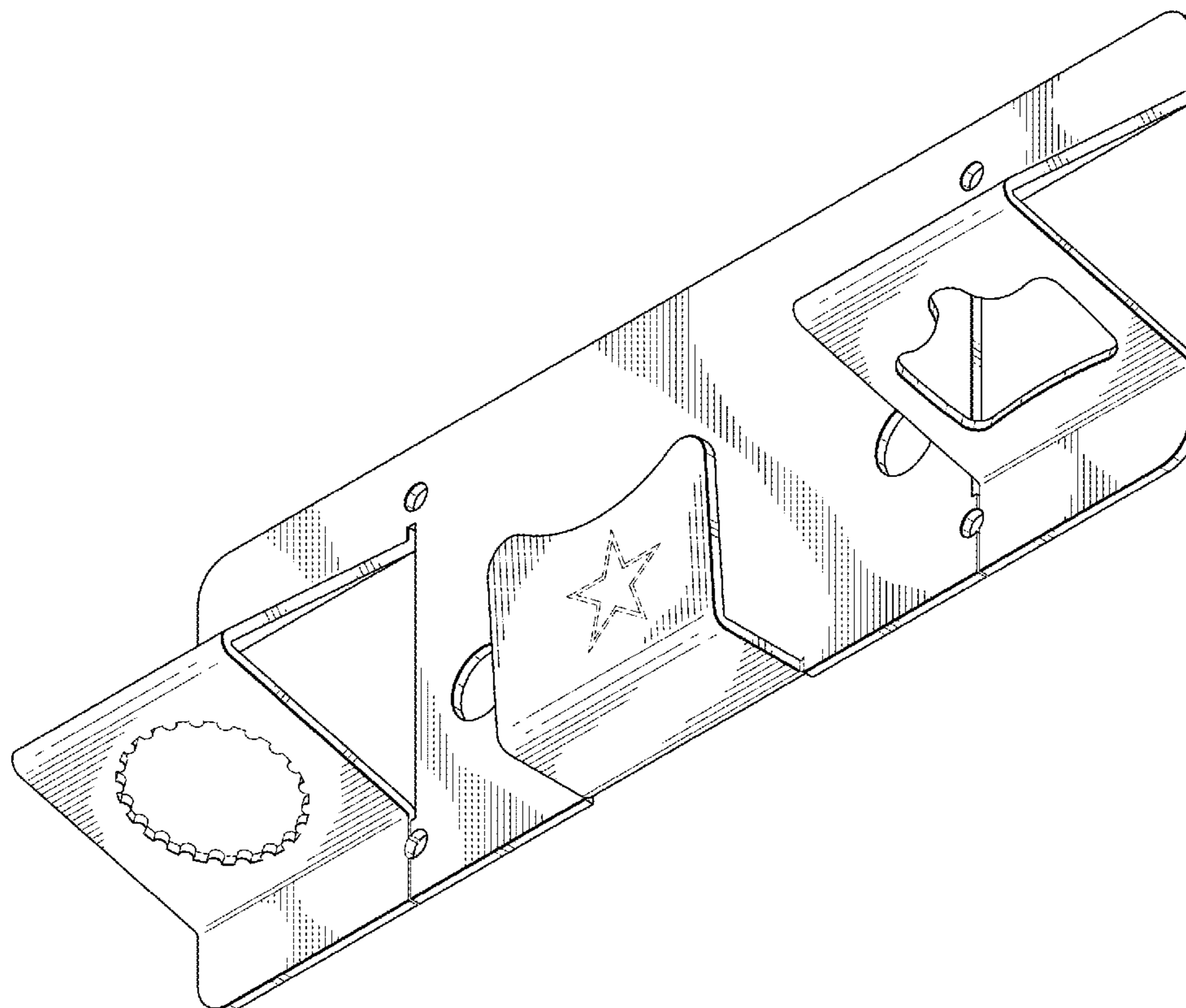
FIG. 1 is a perspective view of the bottle opener bracket,  
which illustrates the two different bottle openers and the  
light retaining clip of the bottle opener bracket;  
FIG. 2 is a top view of the bottle opener bracket of FIG. 1;  
FIG. 3 is a bottom view of the bottle opener bracket of FIG.  
1;  
FIG. 4 is a side view of the bottle opener bracket of FIG. 1;  
FIG. 5 is a side view of the bottle opener bracket of FIG. 1,  
which illustrates the side opposite that shown in FIG. 4;  
FIG. 6 is a rear view of the bottle opener bracket of FIG. 1;  
and,  
FIG. 7 is a front view of the bottle opener bracket of FIG.  
1.

(56) **References Cited**

U.S. PATENT DOCUMENTS

1,029,645 A \* 6/1912 Vaughan ..... B67B 7/16  
81/3.27  
2,694,324 A \* 11/1954 Goldsmith ..... B67B 7/14  
81/3.27  
D406,504 S \* 3/1999 Herrmann ..... D8/37

**1 Claim, 5 Drawing Sheets**



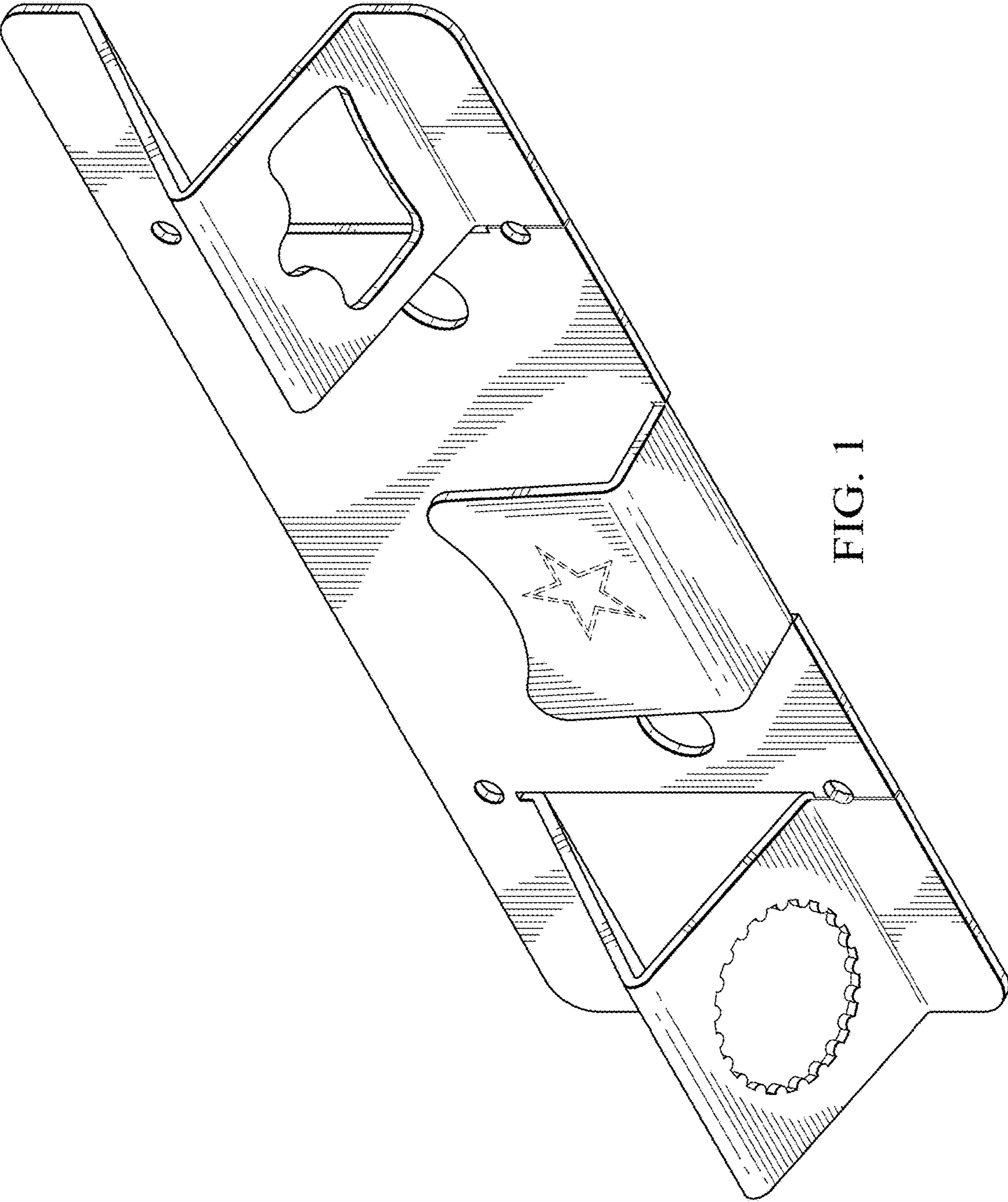


FIG. 1

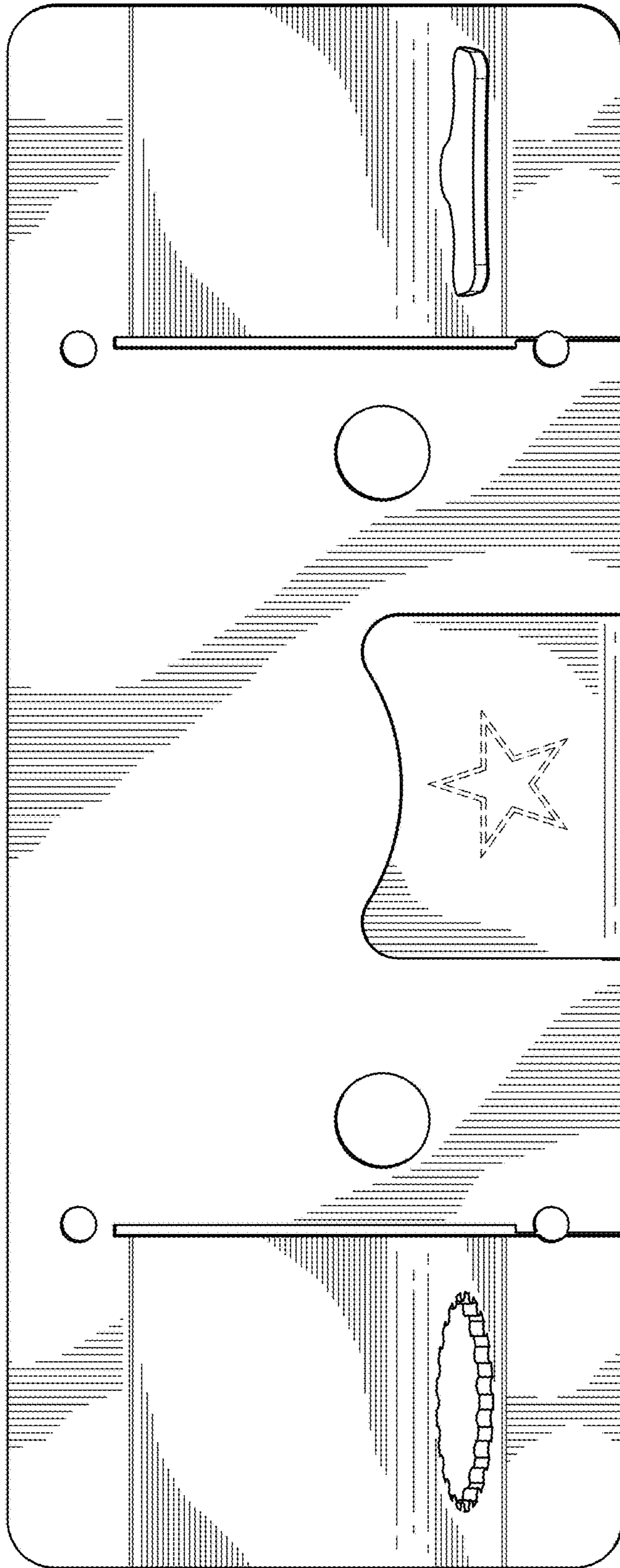


FIG. 2



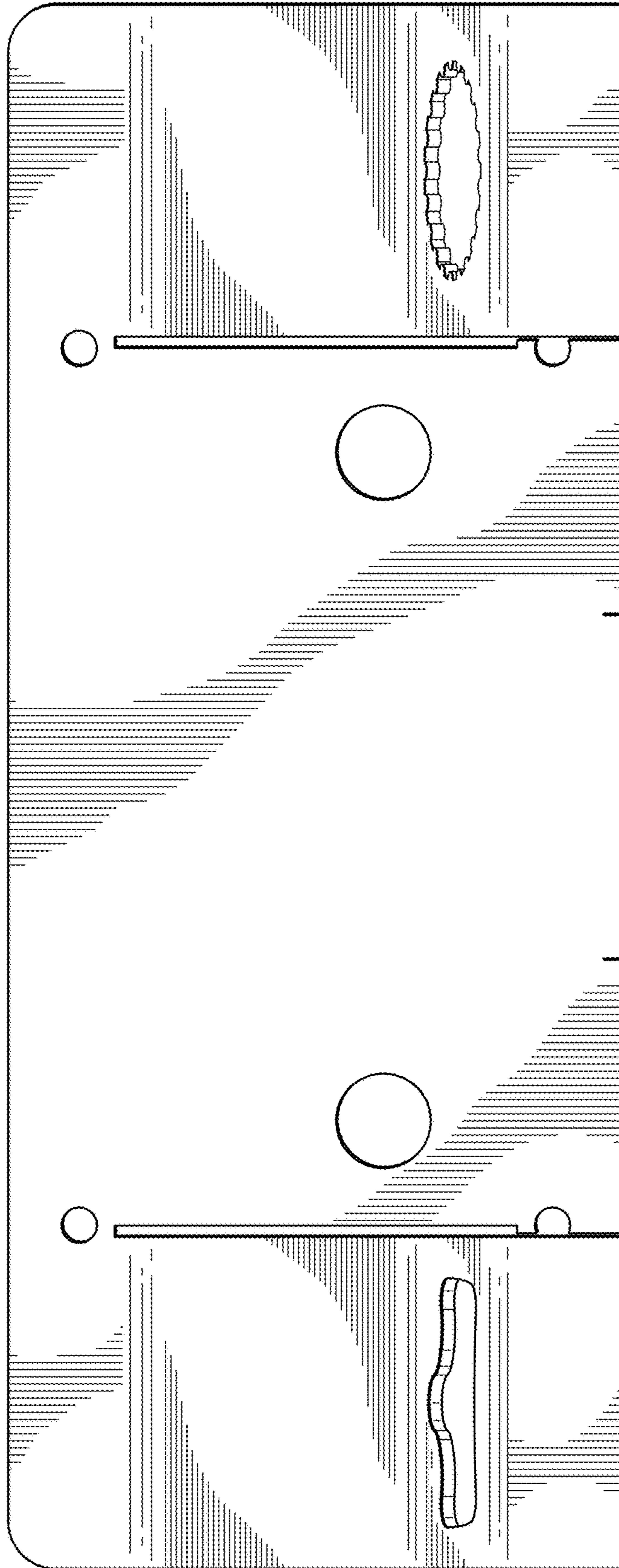


FIG. 3

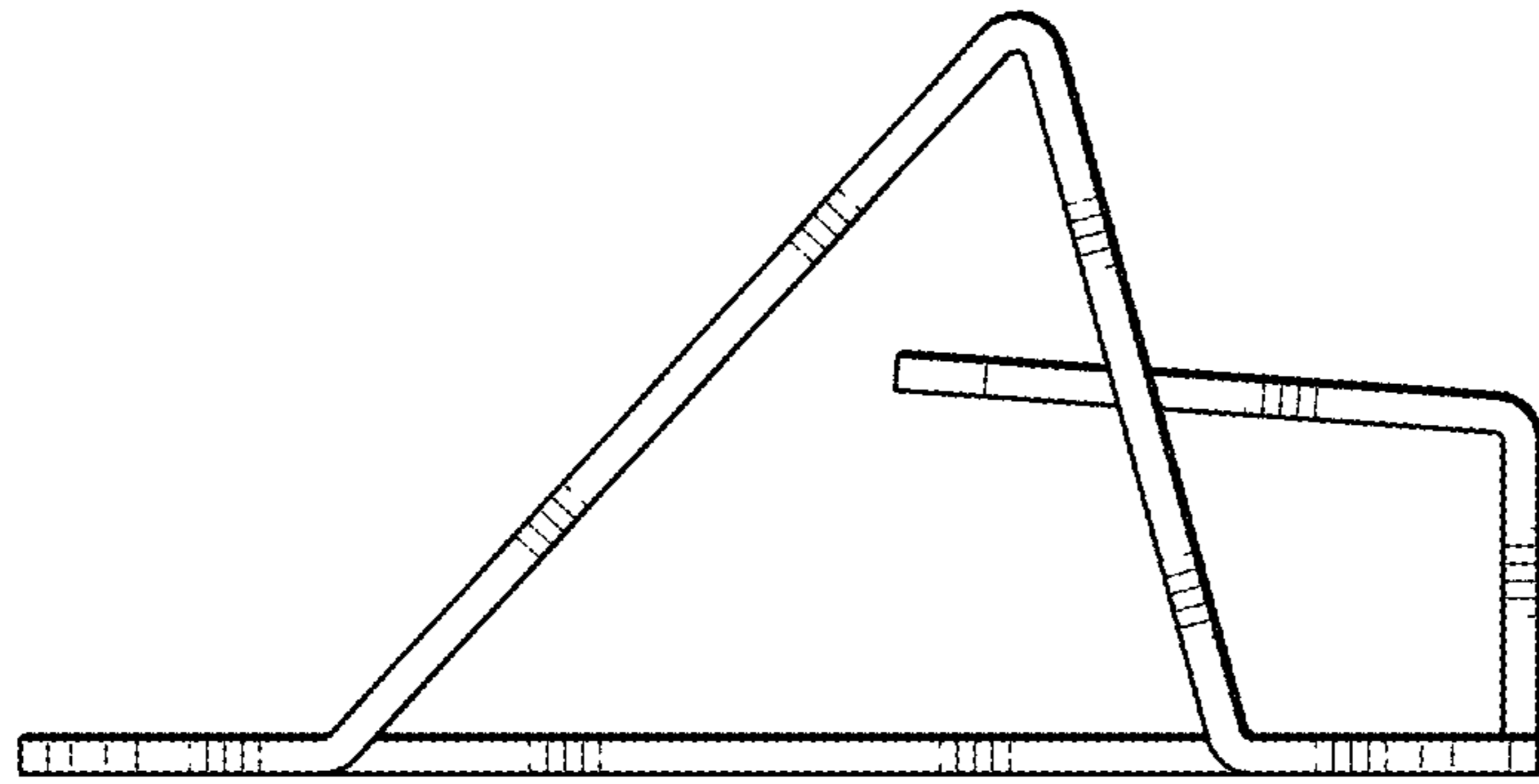


FIG. 5

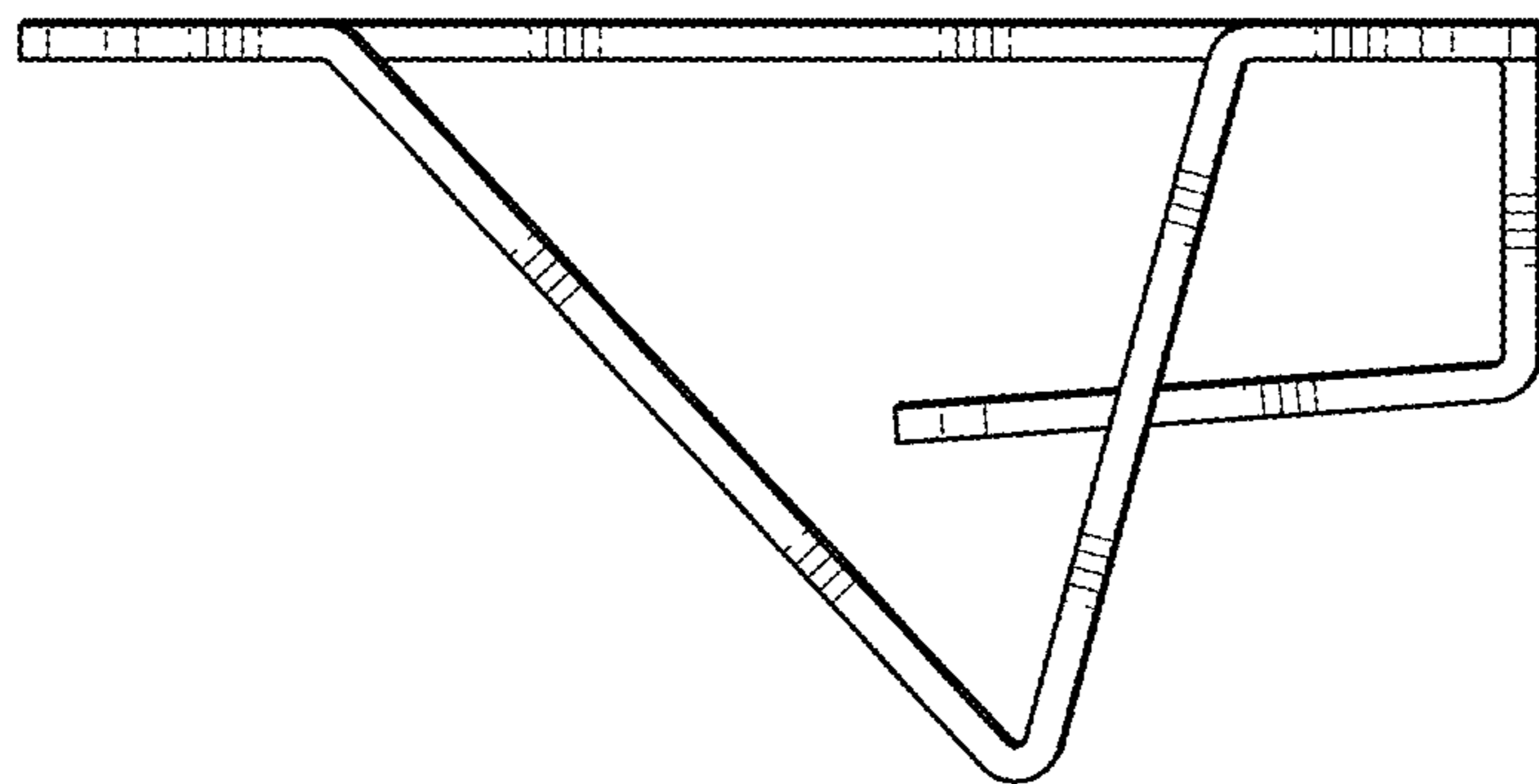


FIG. 4

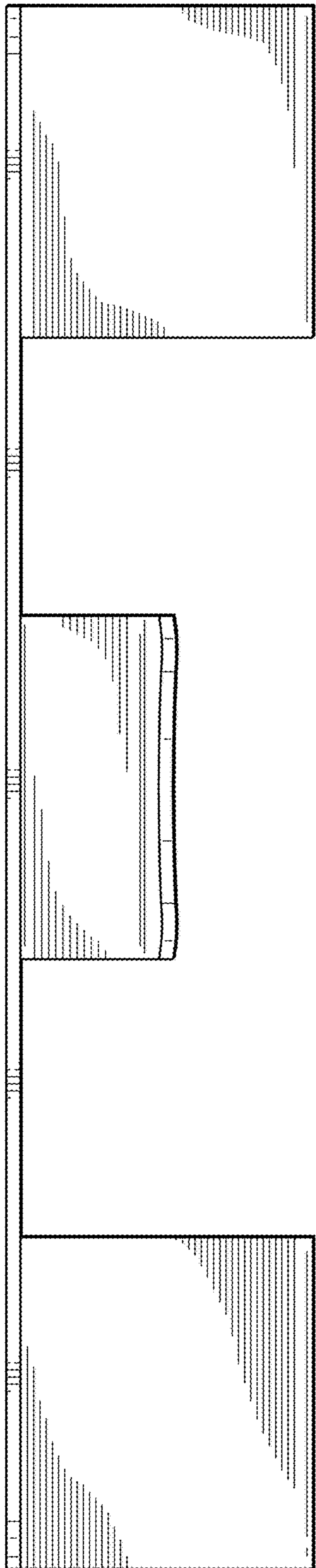


FIG. 6

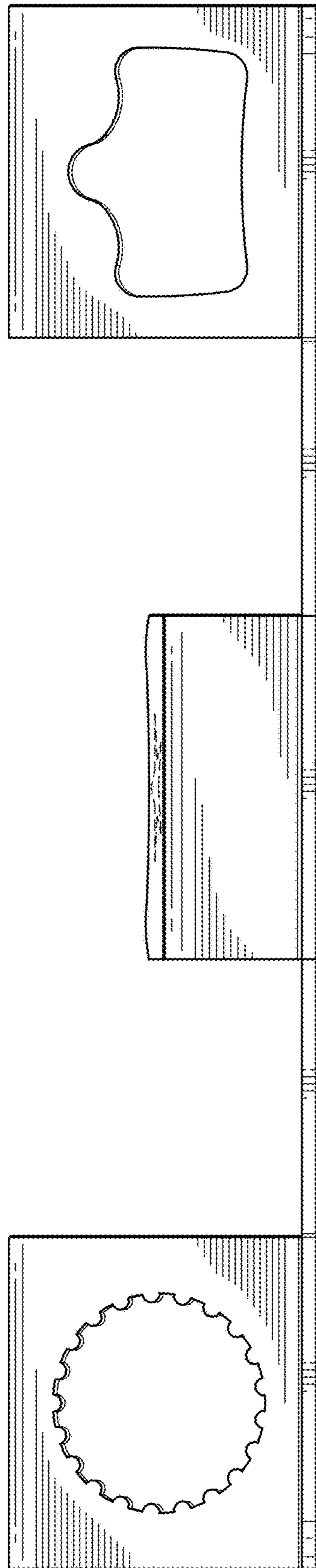


FIG. 7