



US00D811833S

(12) **United States Design Patent**
Thurow

(10) **Patent No.:** **US D811,833 S**
(45) **Date of Patent:** **** Mar. 6, 2018**

(54) **DRINK CARRIER**

(71) Applicant: **Trevor Thurow**, Austin, TX (US)

(72) Inventor: **Trevor Thurow**, Austin, TX (US)

(**) Term: **15 Years**

(21) Appl. No.: **29/548,153**

(22) Filed: **Dec. 10, 2015**

(51) **LOC (11) Cl.** **07-06**

(52) **U.S. Cl.**
USPC **D7/706**

(58) **Field of Classification Search**

USPC D3/304, 307, 308, 310, 313, 315;
D7/619.1, 620, 622, 701, 704, 705, 706,
D7/707, 708, 708.1, 709; D9/434, 455,
D9/457

CPC B65D 1/22; B65D 71/0003
See application file for complete search history.

(56) **References Cited**

U.S. PATENT DOCUMENTS

D139,560 S * 11/1944 Wentling 211/74
D139,561 S * 11/1944 Wentling 211/74
D139,562 S * 11/1944 Wentling 211/74
D148,883 S * 3/1948 Panzer D7/546
D156,290 S * 11/1949 Stier D7/546

(Continued)

OTHER PUBLICATIONS

Ponoko. Ideas for Creative Agencies & Brands. May 11, 2016 [earliest online date], [site visited Mar. 9, 2017]. Available from Internet, <URL:http://www.ponoko.com/blog/2016/05/11/ideas-for-creative-agencies-and-brands-39/>.*

(Continued)

Primary Examiner — Robert M. Spear

Assistant Examiner — Darcey E Heflin

(74) *Attorney, Agent, or Firm* — Vinson & Elkins LLP

(57) **CLAIM**

I claim the ornamental design for a drink carrier, as shown and described.

DESCRIPTION

FIG. 1 is a perspective view of a drink carrier showing my new design.

FIG. 2 is a right side view of a drink carrier showing my new design. The left side is a mirror image of the right side and is not shown.

FIG. 3 is an end view of a drink carrier showing my new design. The opposite end is identical and is not shown.

FIG. 4 is a top plan view a drink carrier showing my new design.

FIG. 5 is a bottom plan view of a drink carrier showing my new design.

FIG. 6 is a perspective view of a drink carrier showing my new design with the handle extended.

FIG. 7 is a side view of a drink carrier showing my new design with the handle extended.

FIG. 8 is a perspective view of a drink carrier showing my new design with 6 cup holder openings.

FIG. 9 is a side view of a drink carrier showing my new design with 6 cup holder openings.

FIG. 10 is an end view of a drink carrier showing my new design with 6 cup holder openings.

FIG. 11 is a top plan view a drink carrier showing my new design with 6 cup holder openings.

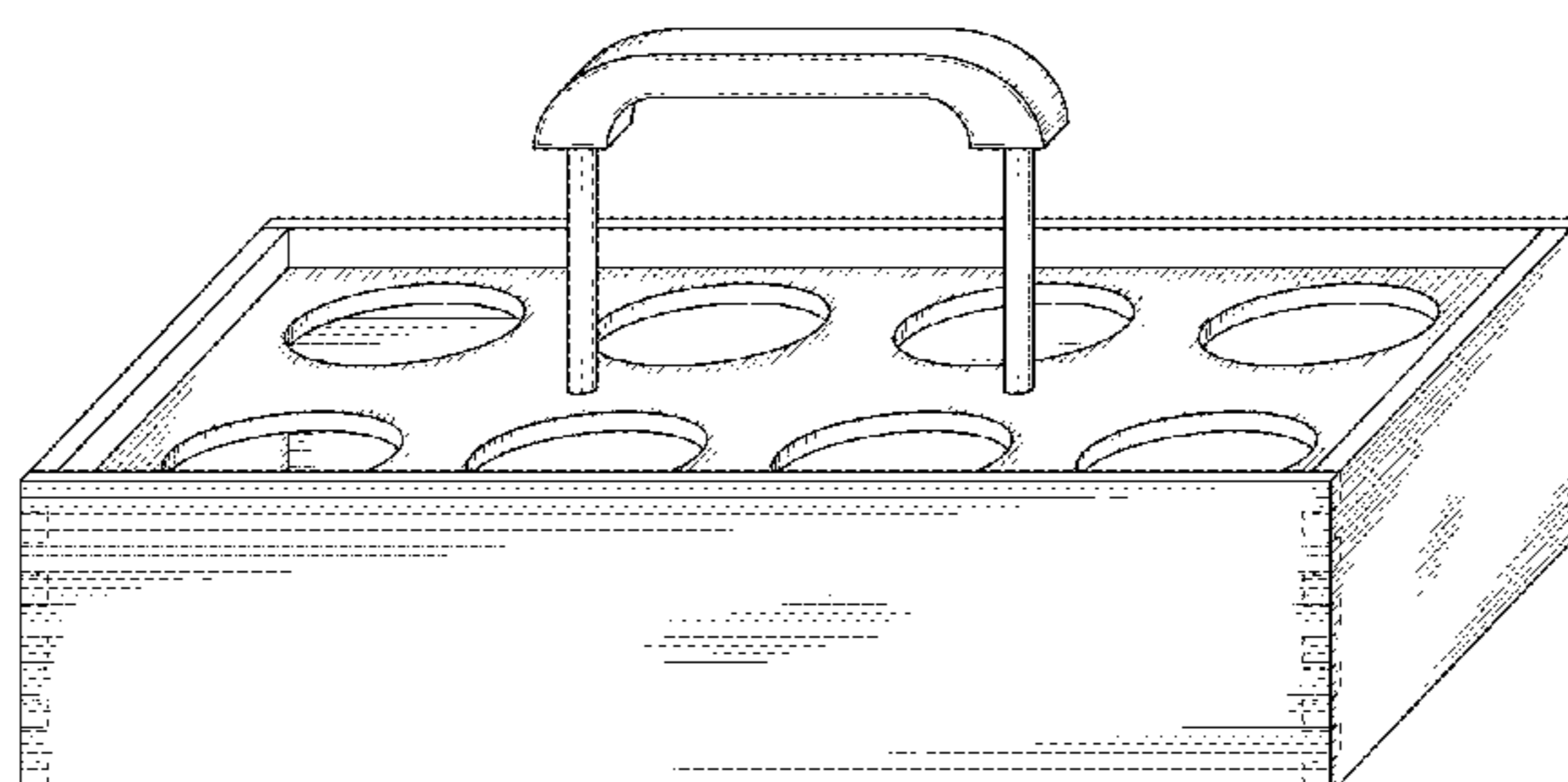
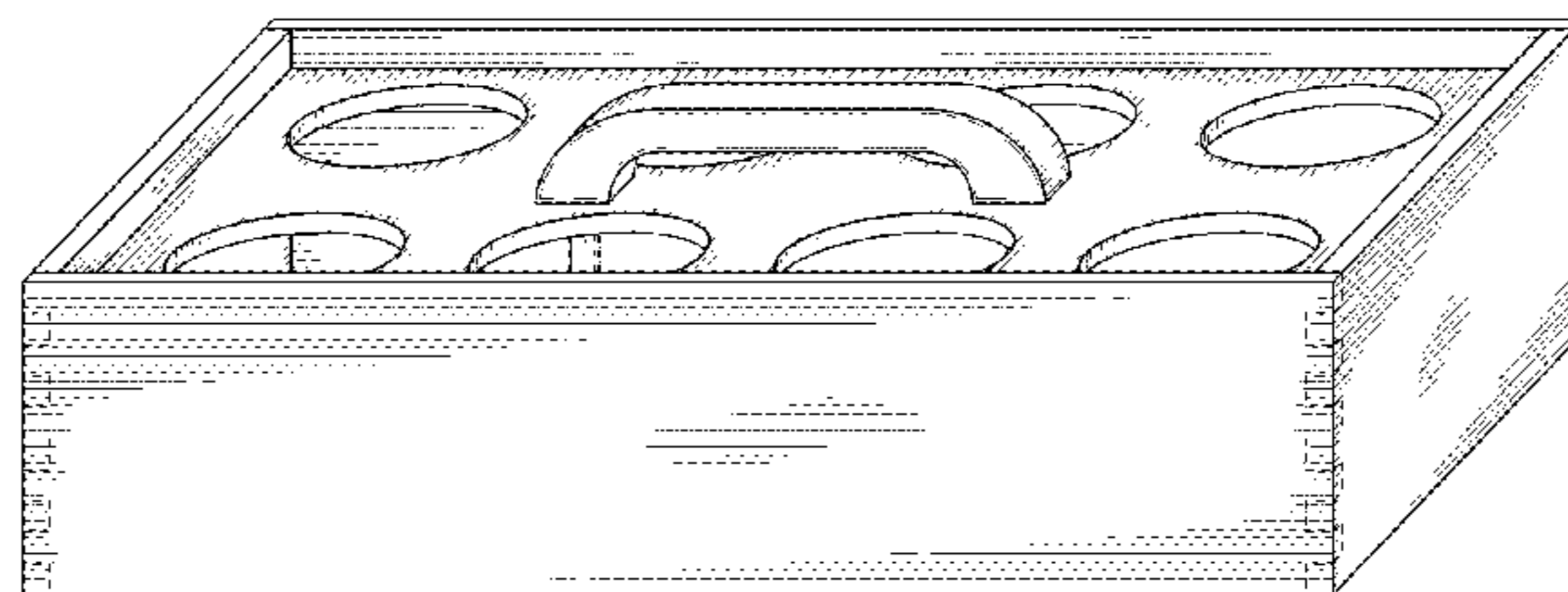
FIG. 12 is a bottom plan view of a drink carrier showing my new design with 6 cup holder openings.

FIG. 13 is a perspective view of a drink carrier showing my new design with 6 cup holder openings and with the handle extended; and,

FIG. 14 is a side view of a drink carrier showing my new design with 6 cup holder openings and with the handle extended.

In the drawings, the broken lines showing portions of a drink carrier depict environment and form no part of the claim.

1 Claim, 8 Drawing Sheets



(56)

References Cited

U.S. PATENT DOCUMENTS

D210,613 S * 3/1968 Moore F25D 25/00
D15/90
D241,221 S * 8/1976 Cormier D7/605
D250,625 S * 12/1978 Leventhal D6/682.2
D274,131 S * 6/1984 Hayes D9/434
D323,447 S * 1/1992 Booz D7/705
D551,038 S * 9/2007 Evaimalo D7/708
D608,609 S * 1/2010 Eaton D7/701
D657,241 S * 4/2012 Nidetz D8/301
D661,950 S * 6/2012 Greenwood D7/590
8,230,697 B2 * 7/2012 Lavallee F25D 3/08
62/457.7
D686,784 S * 7/2013 Elliott D30/133
D695,078 S * 12/2013 Hertaus D7/600.1
D699,085 S * 2/2014 Reid, Jr. D7/701
D704,551 S * 5/2014 Wycoff A47J 45/077
D9/434

D705,618 S * 5/2014 Reid, Jr. D7/701
D749,381 S * 2/2016 Magri D24/230
D774,369 S * 12/2016 Harris D7/708
2012/0097555 A1 * 4/2012 Munn B65D 71/0003
206/139

OTHER PUBLICATIONS

Girl Pickers. Rustic Wood Divided Tray, Tool Tote, Berry tray, Drink Carrier. May 20, 2016 [earliest online date], [site visited Mar. 9, 2017]. Available from Internet, <URL:https://www.girlpickers.com/products/rustic-wood-divided-tray-tool-tote-storage-drink-carrier>.*

Burly Chic. Rustic Reclaimed Beer Beverage Box. Feb. 20, 2015 [earliest online date], [site visited Mar. 9, 2017]. Available from Internet, <URL:https://burlychic.com/products/burly-beverage-box>.*

* cited by examiner

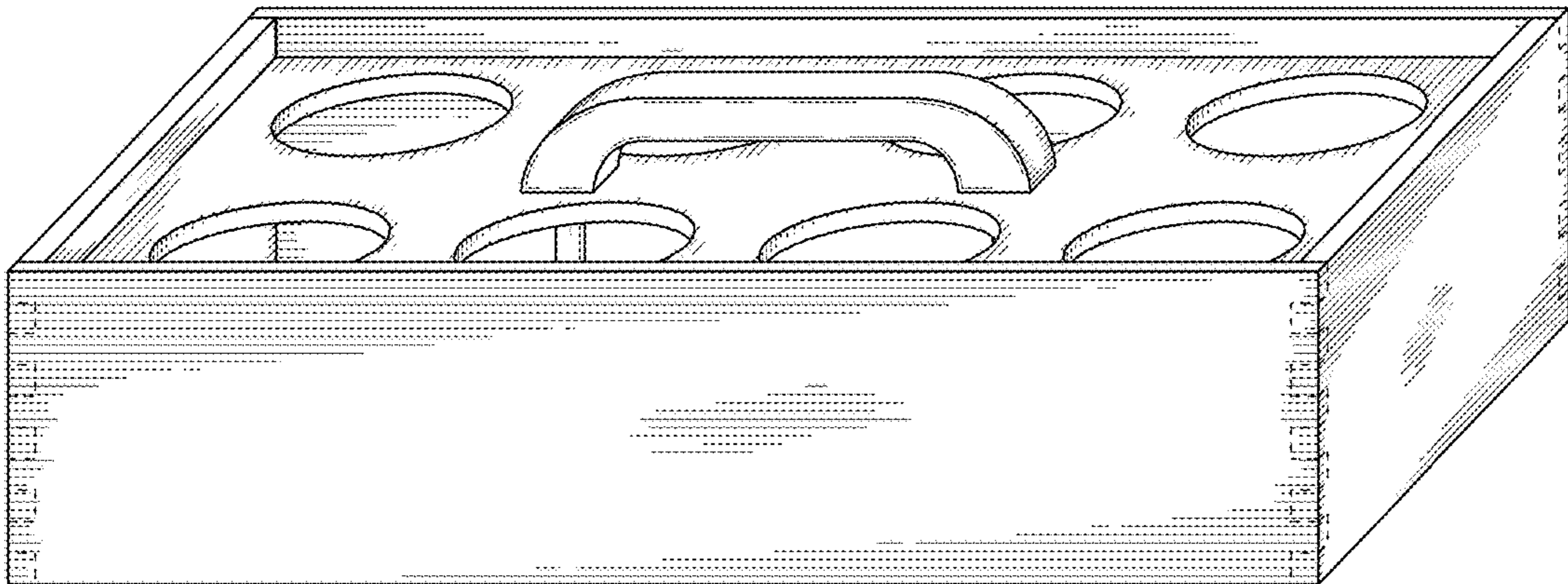


FIG. 1

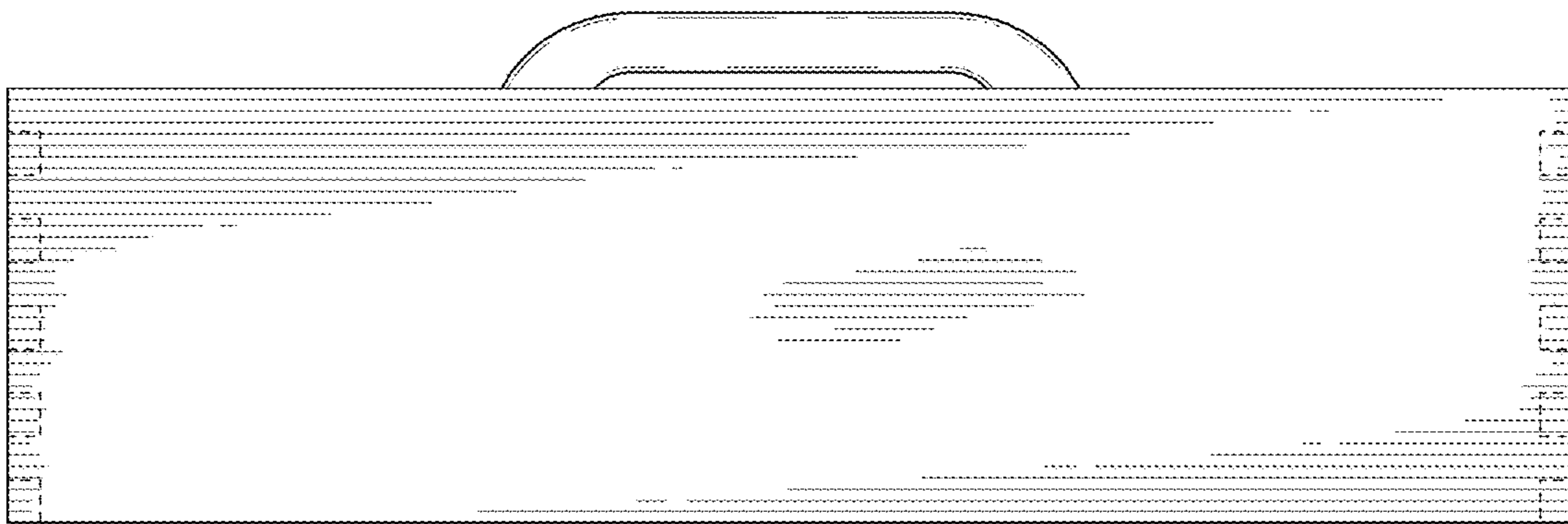


FIG. 2

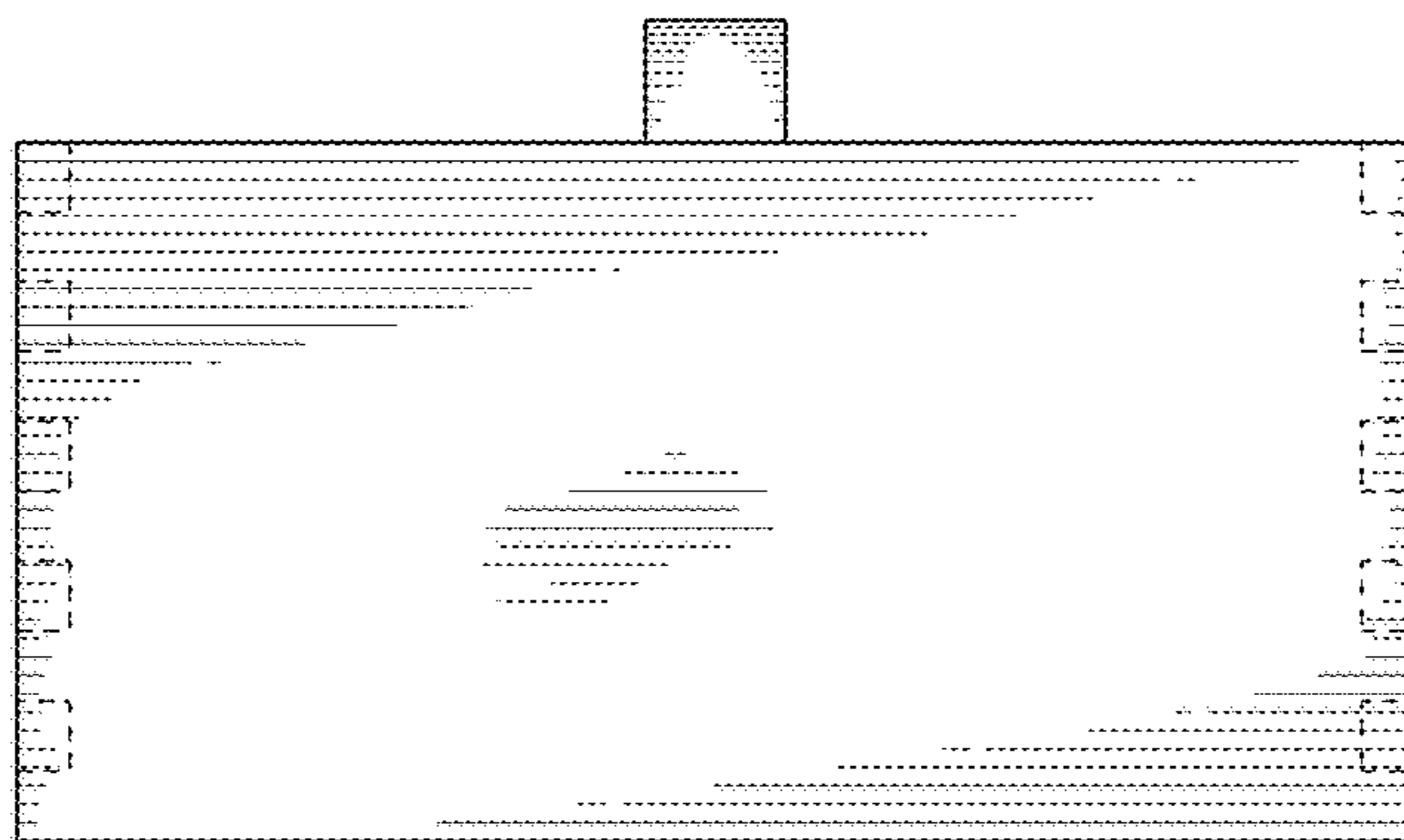


FIG. 3

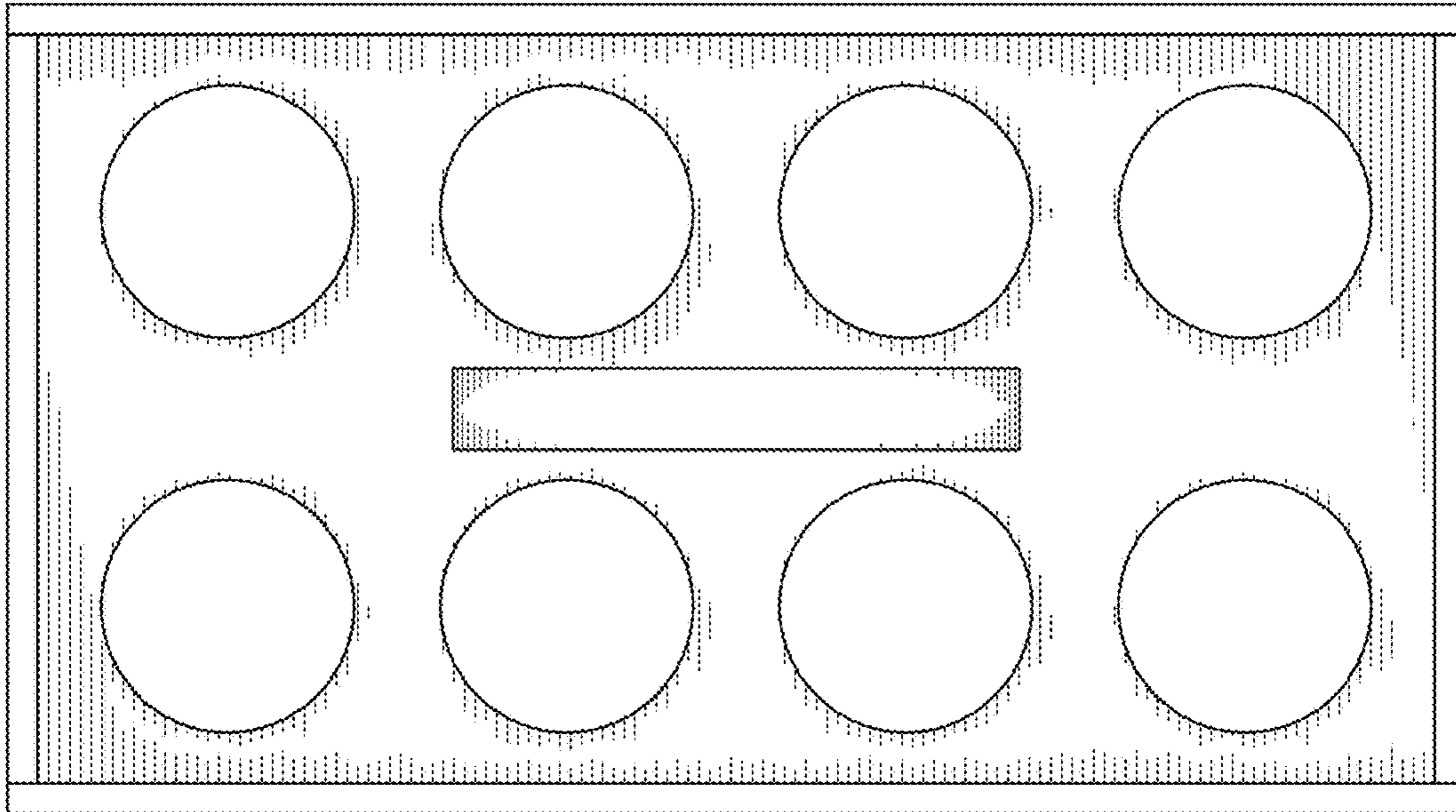


FIG. 4



FIG. 5

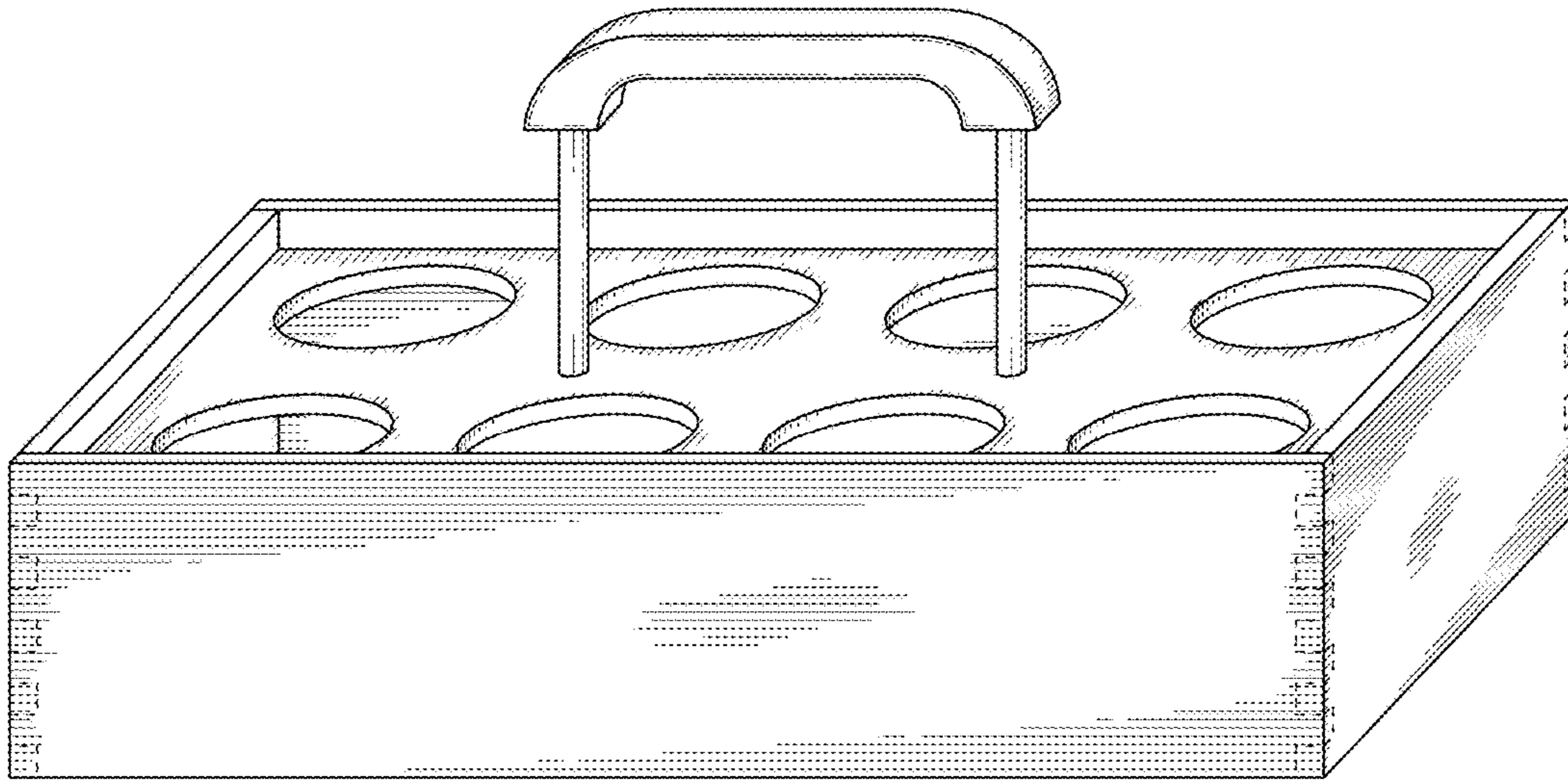


FIG. 6

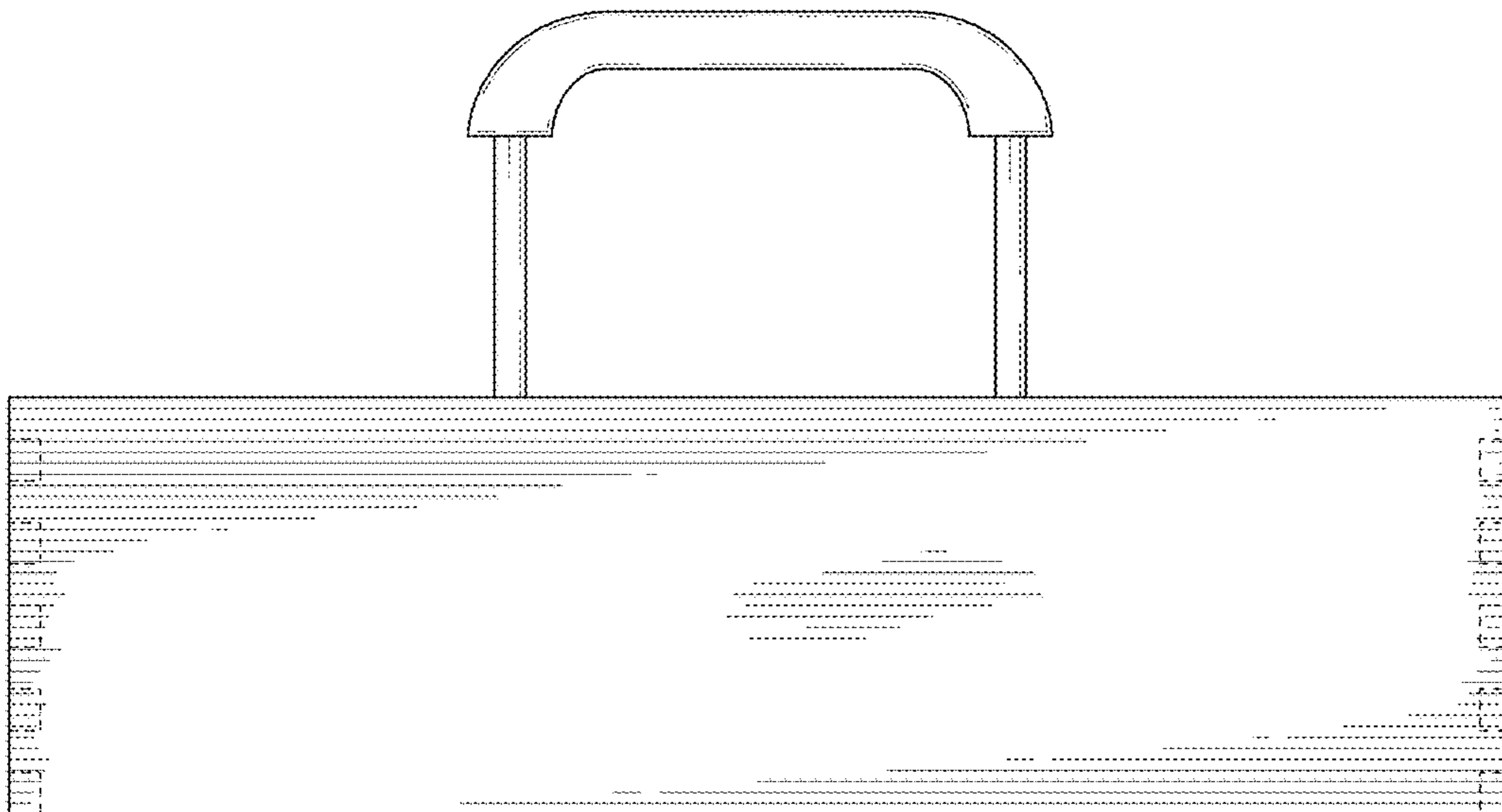


FIG. 7

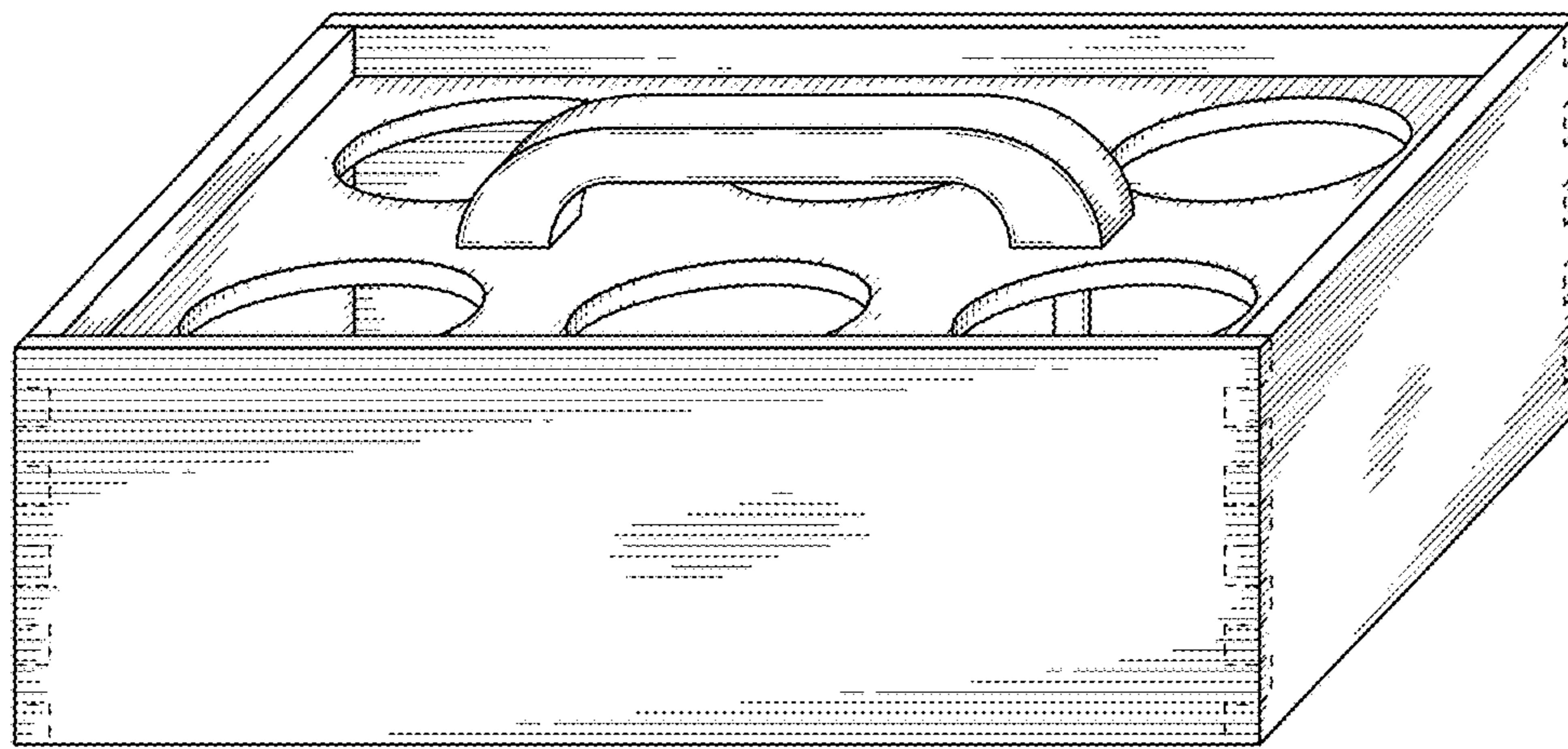


FIG. 8

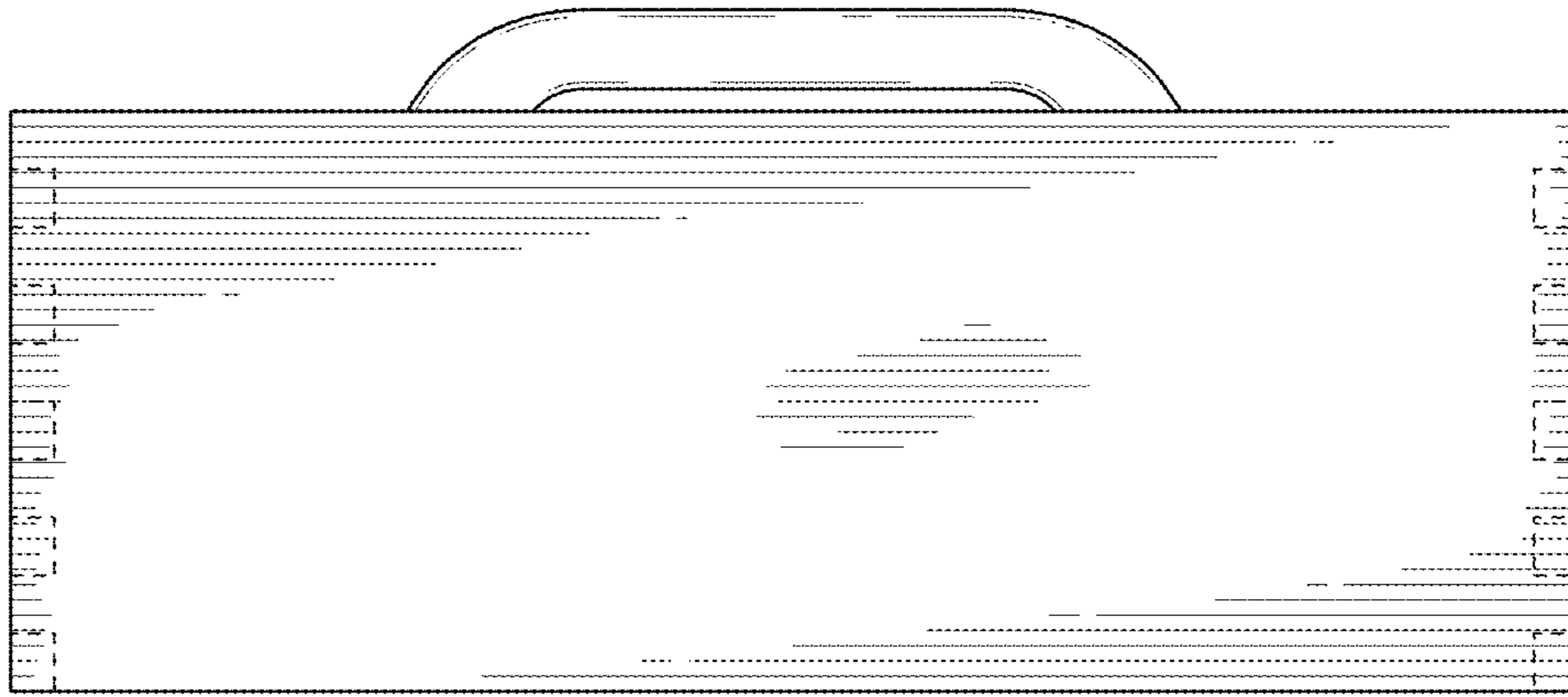


FIG. 9

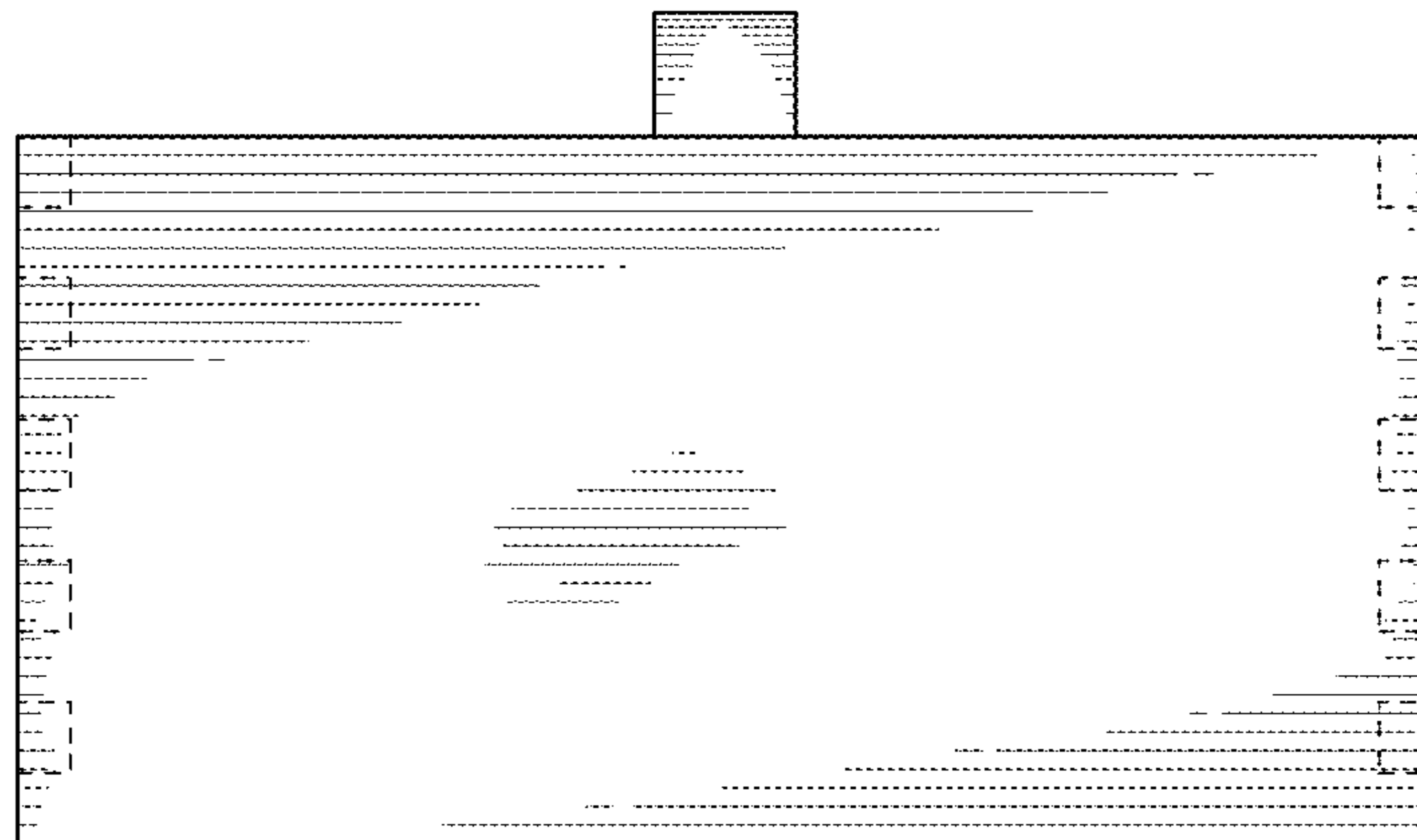


FIG. 10

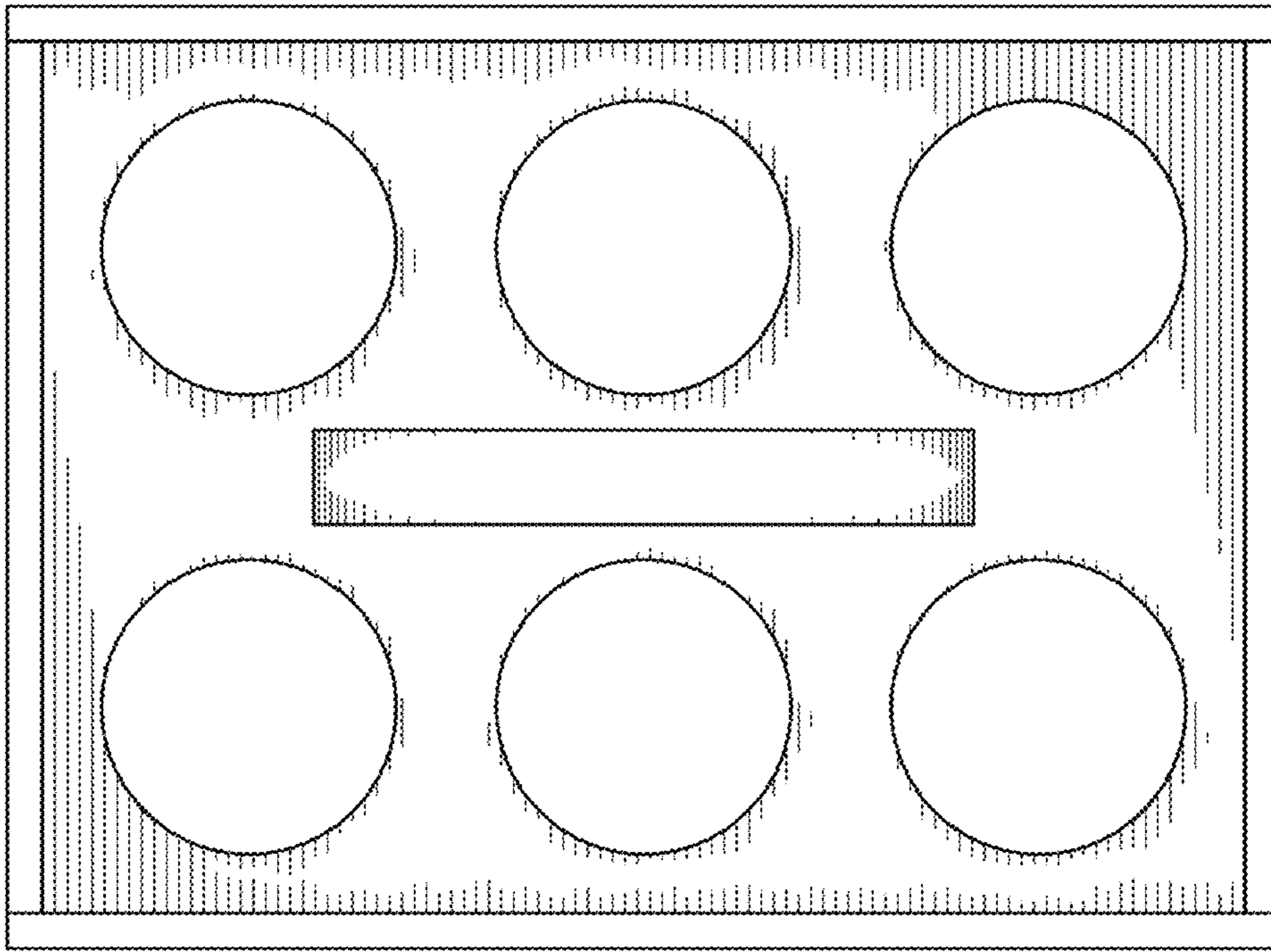


FIG. 11



FIG. 12

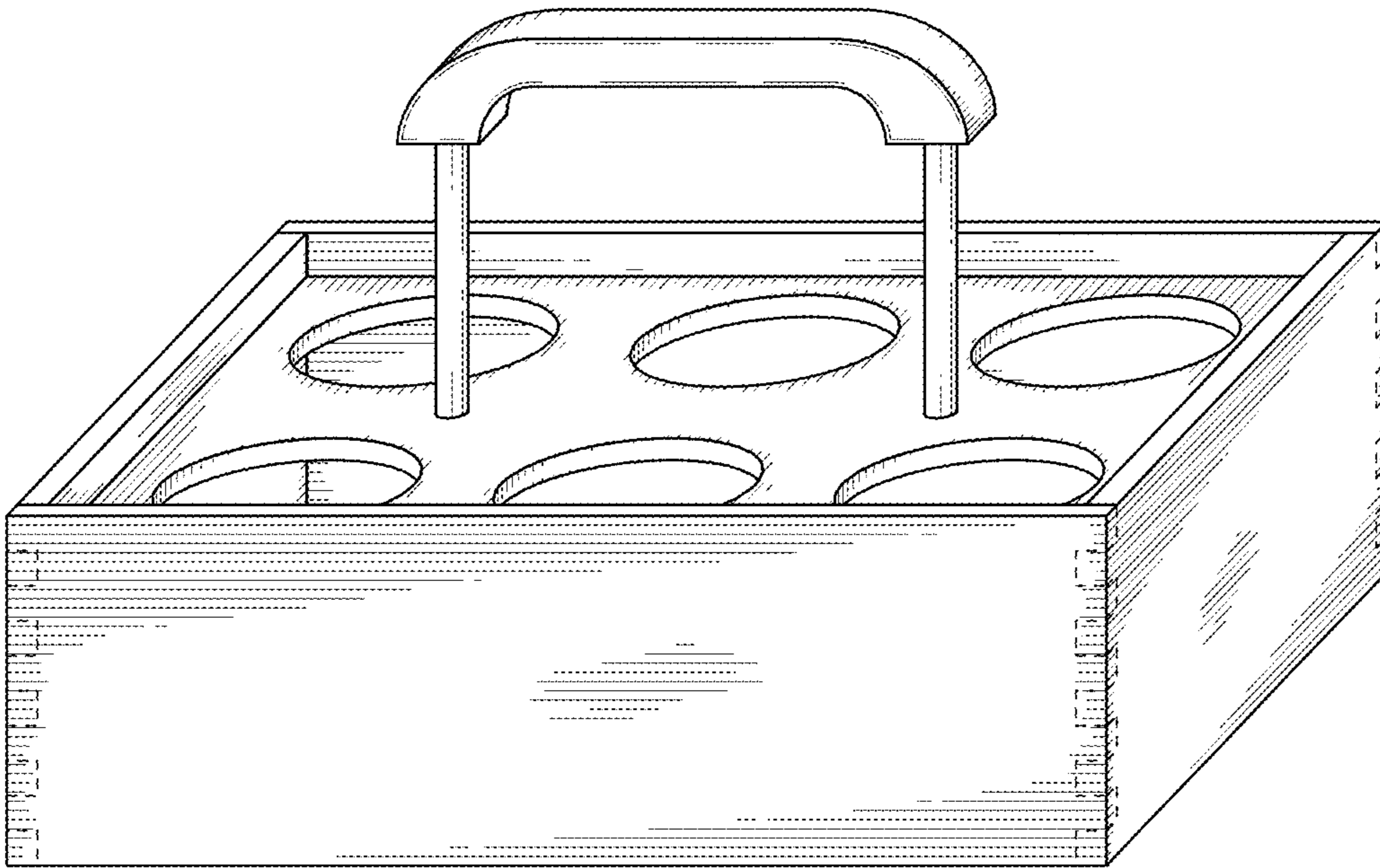


FIG. 13

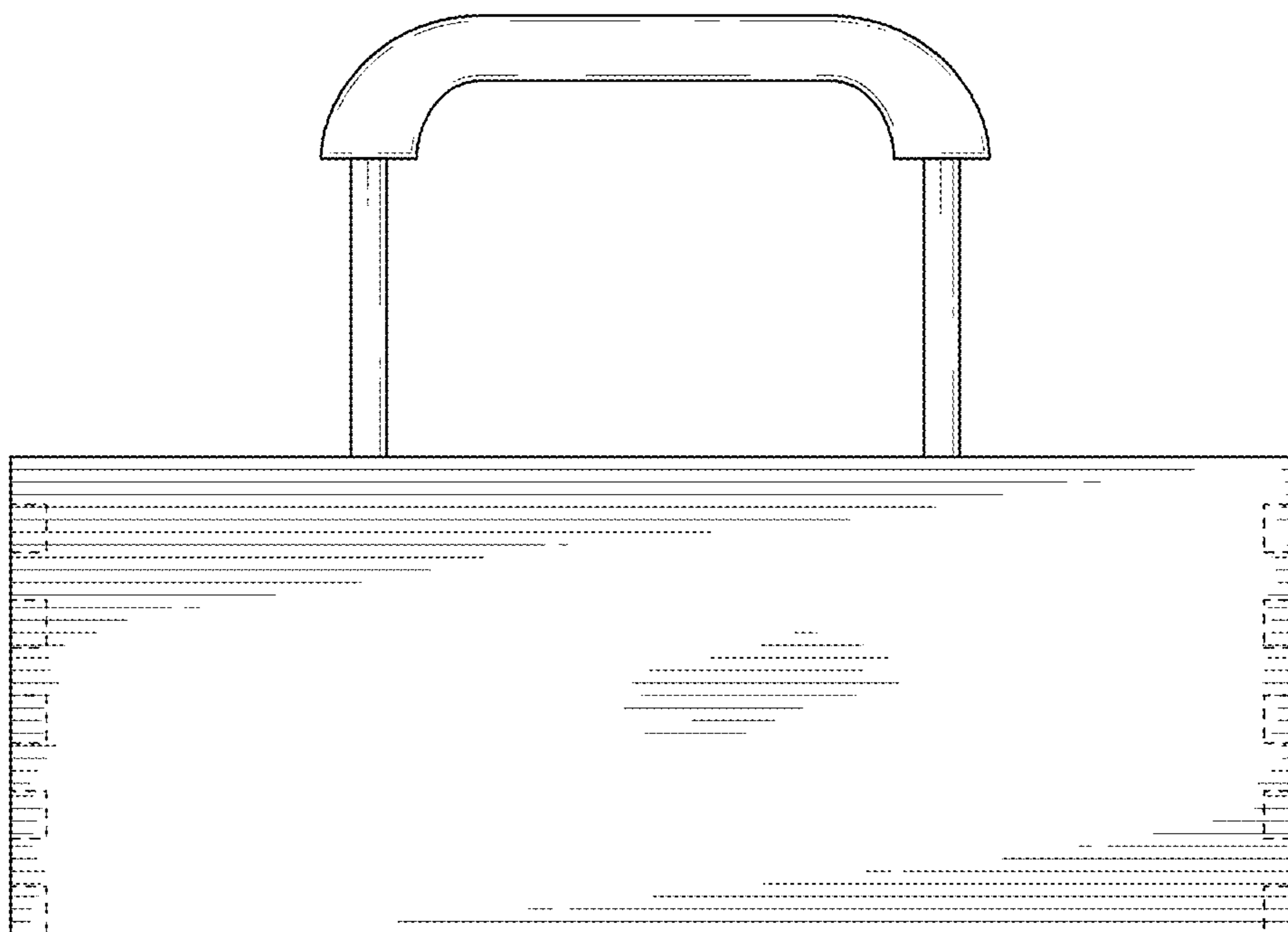


FIG. 14