



US00D811828S

(12) **United States Design Patent**
Tillman

(10) **Patent No.:** **US D811,828 S**
(45) **Date of Patent:** **** Mar. 6, 2018**

(54) **SPORTS SPOONS**
(71) Applicant: **Christopher Lee Tillman**, Mableton, GA (US)
(72) Inventor: **Christopher Lee Tillman**, Mableton, GA (US)
(**) Term: **15 Years**
(21) Appl. No.: **29/530,084**
(22) Filed: **Jun. 12, 2015**
(51) **LOC (11) Cl.** **07-02**
(52) **U.S. Cl.**
USPC **D7/654**; D7/644; D7/653
(58) **Field of Classification Search**
USPC D7/368, 401.2, 642-645, 653-664, 669, D7/675-677, 683, 688-689, 691; D8/107, 300-301; D10/46.2-46.3; D17/10, 22; D21/405; D22/117-118
CPC ... A01D 9/02; A01D 9/04; A01D 9/06; A47G 21/00; A47G 21/004; A47G 21/005; A47G 21/02; A47G 21/023; A47G 21/04; A47G 21/06; A47G 21/08; A47J 43/28; A47J 43/281; A47J 43/282; A61F 13/10; A61J 7/0023; A63H 5/00; B25G 1/00; B25G 1/01; B25G 1/02; B25G 3/00; B65D 75/56; B65D 75/563; B65D 75/566; B67B 7/00; B67B 7/724; B67B 7/73
See application file for complete search history.

D156,850 S * 1/1950 Shirley 30/324
2,654,252 A * 10/1953 Davis A47G 21/04 30/324
D304,537 S * 11/1989 McCarroll D10/46.2
D459,382 S * 6/2002 Cohen D17/22
D463,482 S * 9/2002 Cohen D17/22
D531,918 S * 11/2006 Heiligenstein D10/46.2
D598,057 S * 8/2009 Garcia D21/405
D689,120 S * 9/2013 Lochen D17/10
D703,734 S * 4/2014 Lochen D17/22
D758,139 S * 6/2016 Struggl D7/642
2001/0034177 A1* 10/2001 Hunn A63H 5/00 446/73

* cited by examiner

Primary Examiner — Ricky Pham

(74) *Attorney, Agent, or Firm* — Mathew L. Grell; Jeffrey Watson; Grell & Watson Patent Attorneys LLC

(57) **CLAIM**

The ornamental design for a sport spoon, as shown and described.

DESCRIPTION

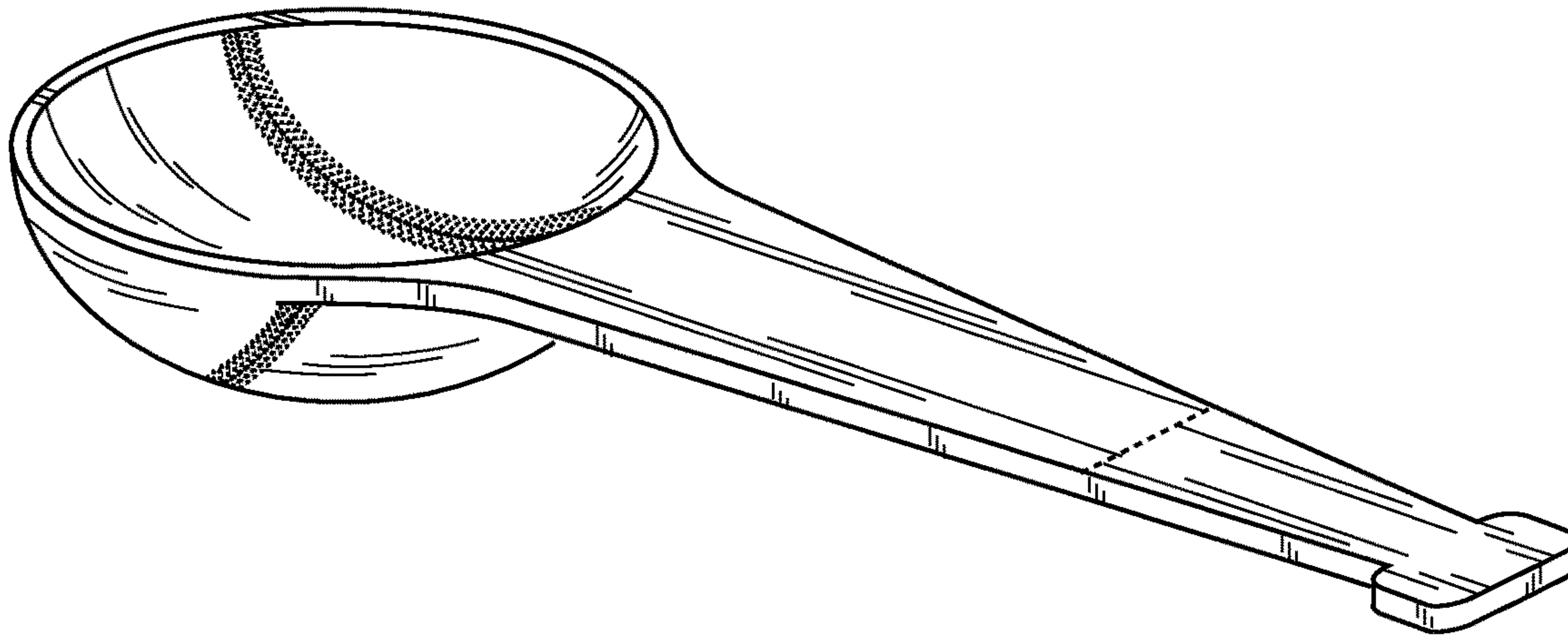
FIG. 1 is a perspective view of the baseball sport spoon with the spoon bowl as a baseball and the spoon handle as a bat showing my design;
FIG. 2 is a top view thereof;
FIG. 3 is a bottom thereof;
FIG. 4 is a front side view thereof;
FIG. 5 is a back side view thereof; and,
FIG. 6 is a left side view, the right view being a mirror image thereof.
The broken lines shown in FIGS. 1-6 represent the portions of the design which form no part of the claimed design, such as ball seams and holes, transitions, grips, net, shoe and sock lines.

1 Claim, 3 Drawing Sheets

(56) **References Cited**

U.S. PATENT DOCUMENTS

D144,212 S * 3/1946 Orenstein D10/46.2
2,399,333 A * 4/1946 Desmond A63H 5/00 264/274



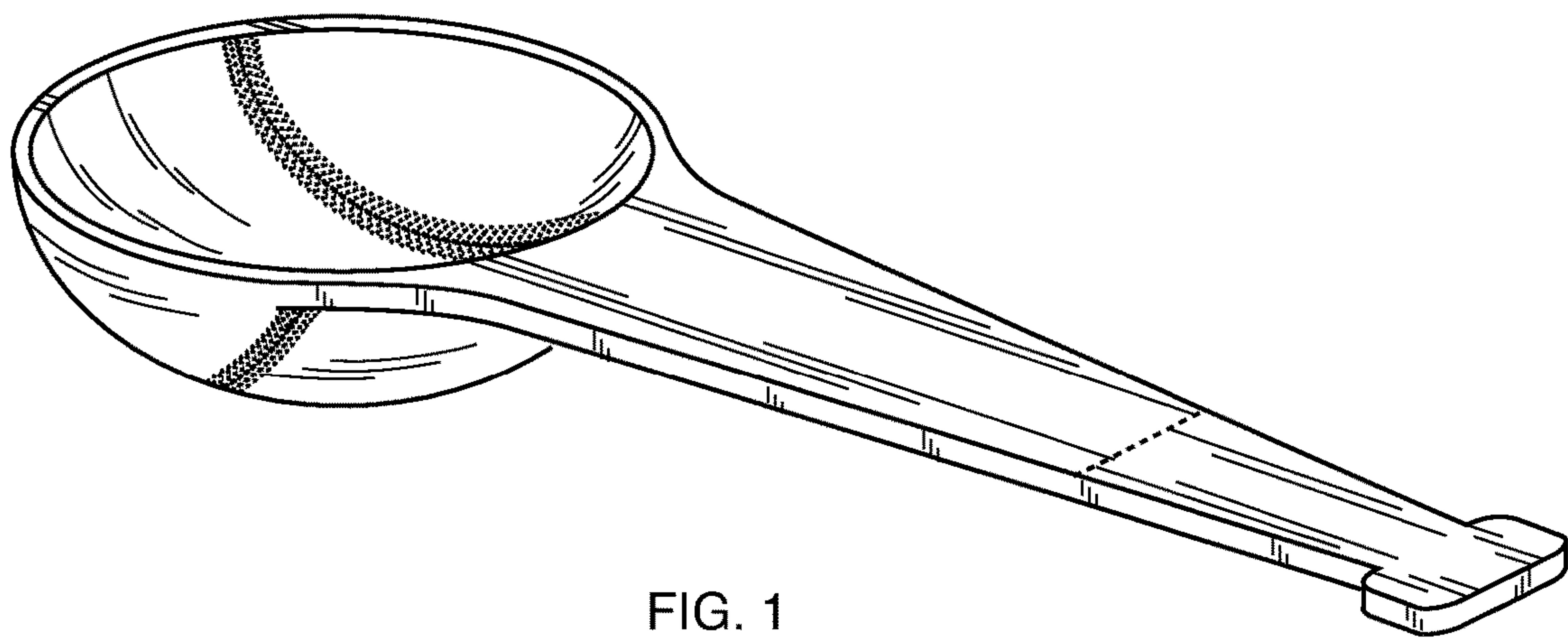


FIG. 1

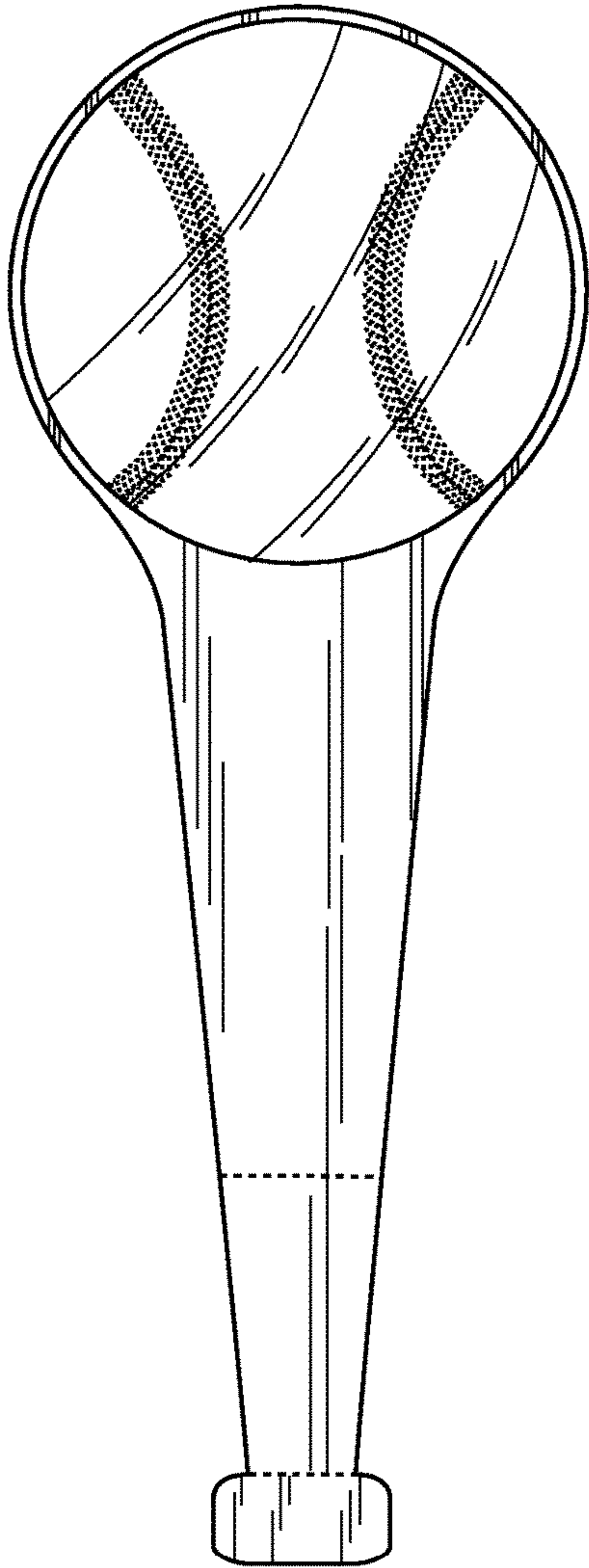


FIG. 2

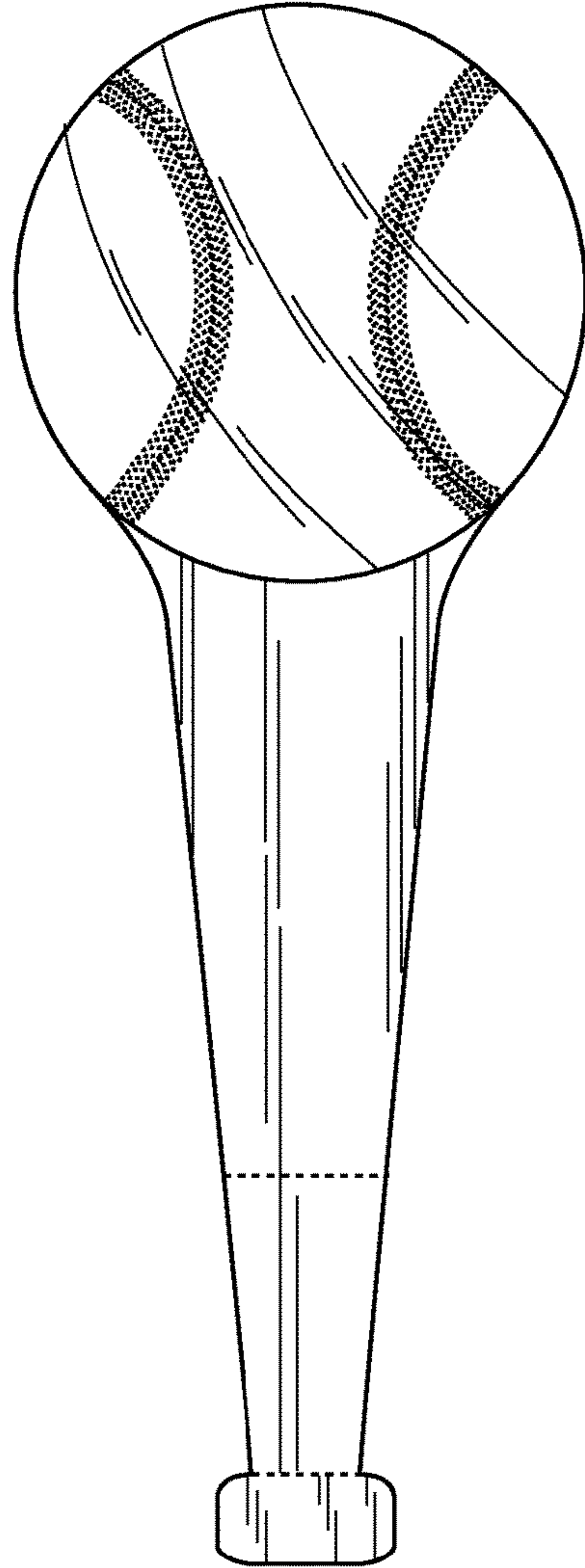


FIG. 3

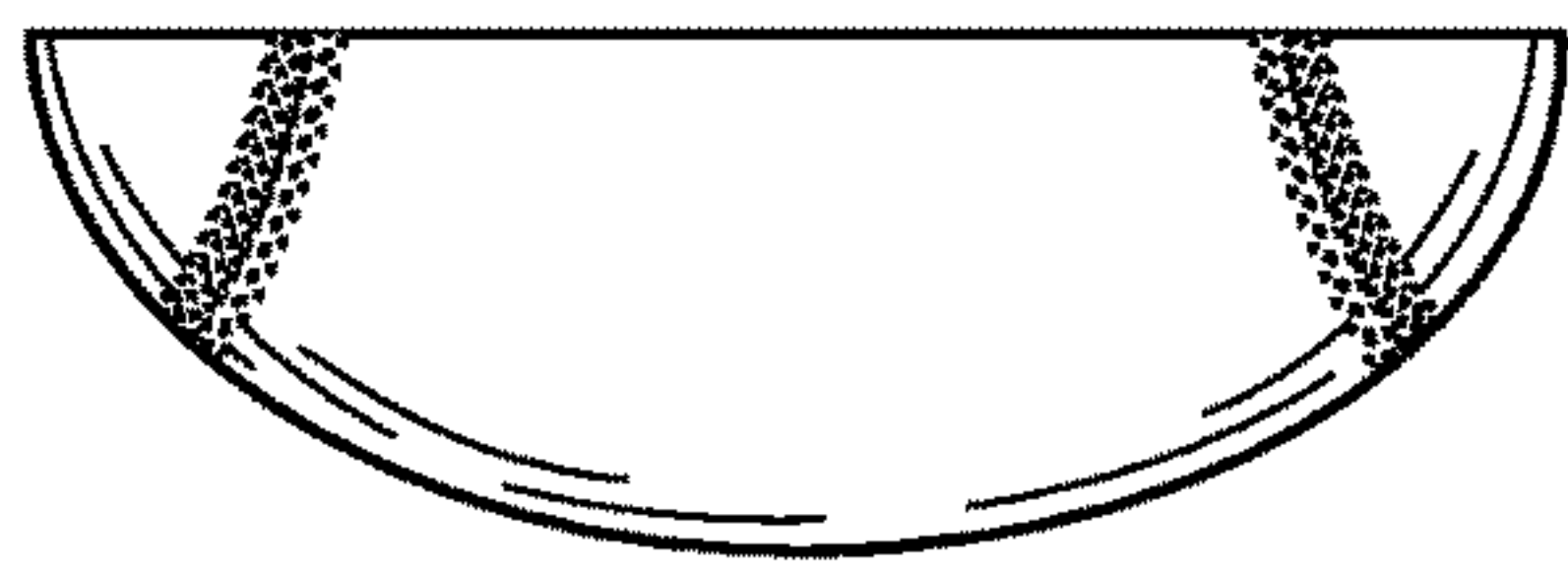


FIG. 4

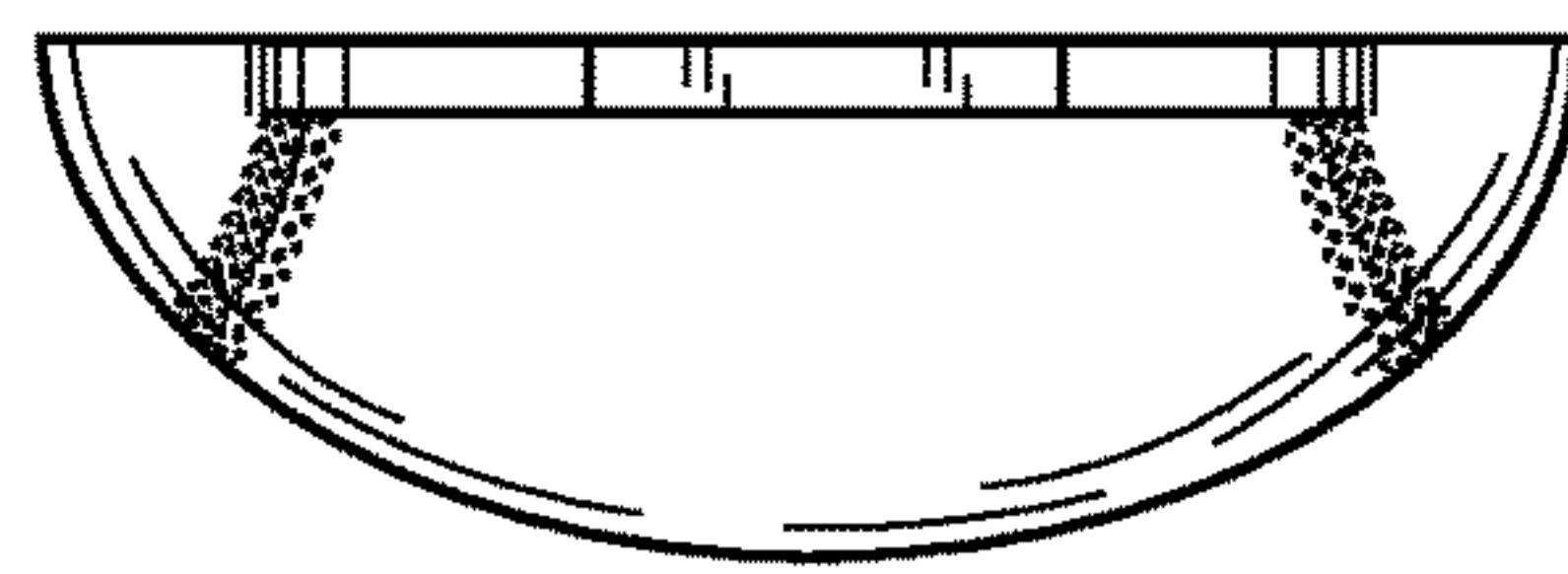


FIG. 5

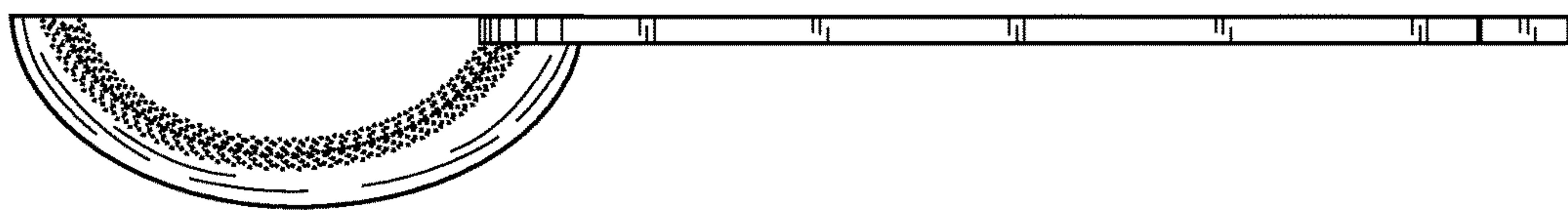


FIG. 6