



US00D811827S

(12) **United States Design Patent**
Dauterive

(10) **Patent No.:** **US D811,827 S**
(45) **Date of Patent:** **** Mar. 6, 2018**

- (54) **SERRATED KNIFE**
- (71) Applicant: **Aubry Dauterive**, New Iberia, LA (US)
- (72) Inventor: **Aubry Dauterive**, New Iberia, LA (US)
- (**) Term: **15 Years**
- (21) Appl. No.: **29/574,927**
- (22) Filed: **Aug. 19, 2016**
- (51) **LOC (11) Cl.** **07-03**
- (52) **U.S. Cl.**
USPC **D7/650; D7/401.2; D7/649**
- (58) **Field of Classification Search**
USPC D7/393–395, 401.2, 642–652, 693,
D7/695–696; D8/20, 93, 97–100, 107,
D8/300, 321; D22/117–118
CPC A01B 1/20; A01B 1/22; A22C 25/006;
B23D 61/121; B23D 51/01; B23D
61/123; A47G 21/06; A47G 21/065;
A61B 17/3211; A61B 17/3213; B21D
53/64; B25G 3/36; B26B 1/00; B26B
1/08; B26B 1/10; B26B 3/00; B26B 3/02;
B26B 3/03; B26B 3/04; B26B 3/06;
B26B 5/00; B26B 5/001; B26B 5/007;
B26B 7/00; B26B 7/005; B26B 9/00;
B26B 9/02; B26B 11/00; B26B 11/006;
B26B 17/00; B26B 17/006; B26B 29/02
See application file for complete search history.

(56) **References Cited**

U.S. PATENT DOCUMENTS

- 1,040,138 A * 10/1912 Buck A22C 25/006
30/144
- 2,293,286 A * 8/1942 Fenner B26B 9/02
30/144
- 2,568,870 A * 9/1951 Ronan B23D 61/121
83/846
- 2,895,218 A * 7/1959 Petzoldt B26B 9/02
30/355

- 3,024,533 A * 3/1962 Nitsch B26B 9/02
30/355
- D315,660 S * 3/1991 Hahn D7/650
- 5,119,708 A * 6/1992 Musgrove B23D 61/123
30/355
- 5,448,833 A * 9/1995 Coon B23D 51/01
30/142
- 5,572,794 A * 11/1996 Kalbern B26B 9/02
30/353
- D484,759 S * 1/2004 Rack D8/20
- D606,820 S * 12/2009 Burke, III D8/20

(Continued)

Primary Examiner — Ricky Pham

(74) *Attorney, Agent, or Firm* — Ted M. Anthony

(57) **CLAIM**

The ornamental design for a serrated knife, as shown and described.

DESCRIPTION

FIG. 1 is a front perspective view of a serrated knife of the present invention.

FIG. 2 is a side view of a serrated knife depicted in FIG. 1. FIG. 3 is an alternate side view of a serrated knife depicted in FIGS. 1 through 2, rotated about a substantially horizontal axis from the view depicted in FIG. 2.

FIG. 4 is an overhead view of a serrated knife depicted in FIGS. 1 through 3.

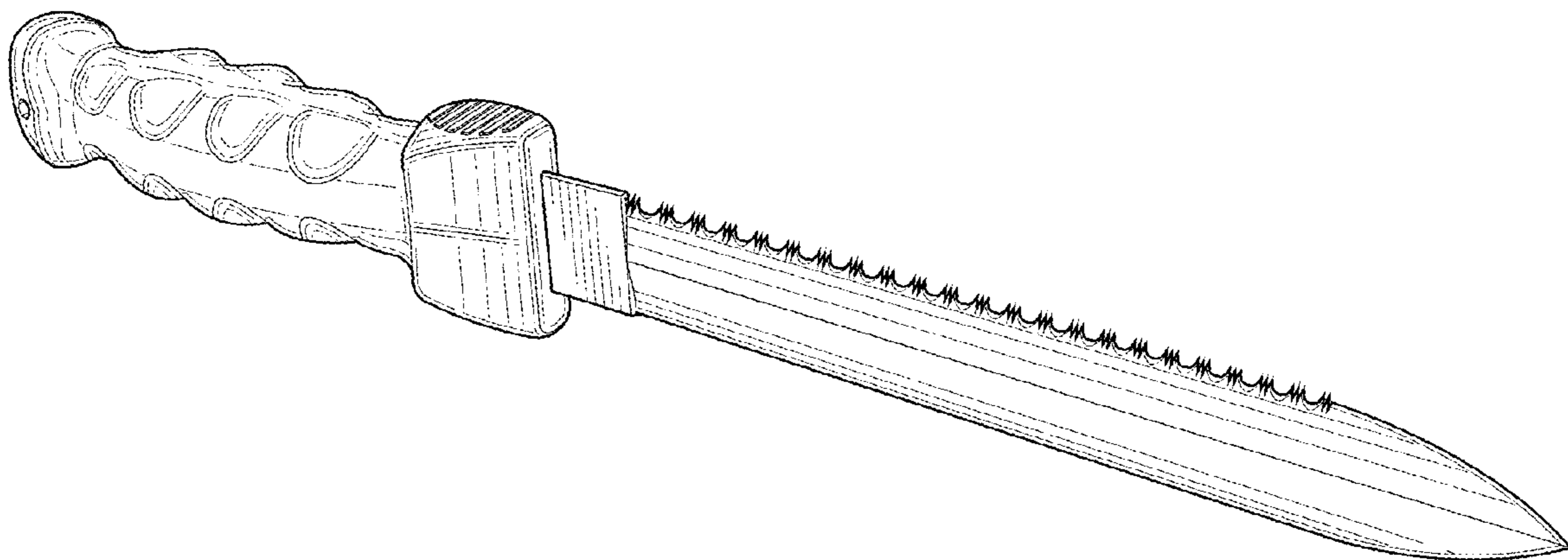
FIG. 5 is a bottom view of a serrated knife depicted in FIGS. 1 through 4.

FIG. 6 is a front view of a serrated knife depicted in FIGS. 1 through 5; and,

FIG. 7 is a rear view of a serrated knife depicted in FIGS. 1 through 6.

The present invention is a dual-edge serrated knife for use in the fishing and wildlife industry, wherein, by way of illustration, but not limitation, a serrated edge can be used for severing through bone and a blade edge can be used for filleting meat from bone.

1 Claim, 4 Drawing Sheets



(56)

References Cited

U.S. PATENT DOCUMENTS

D779,289 S * 2/2017 Midha D7/649
2007/0039445 A1 * 2/2007 Nitsch B26B 9/02
83/835

* cited by examiner

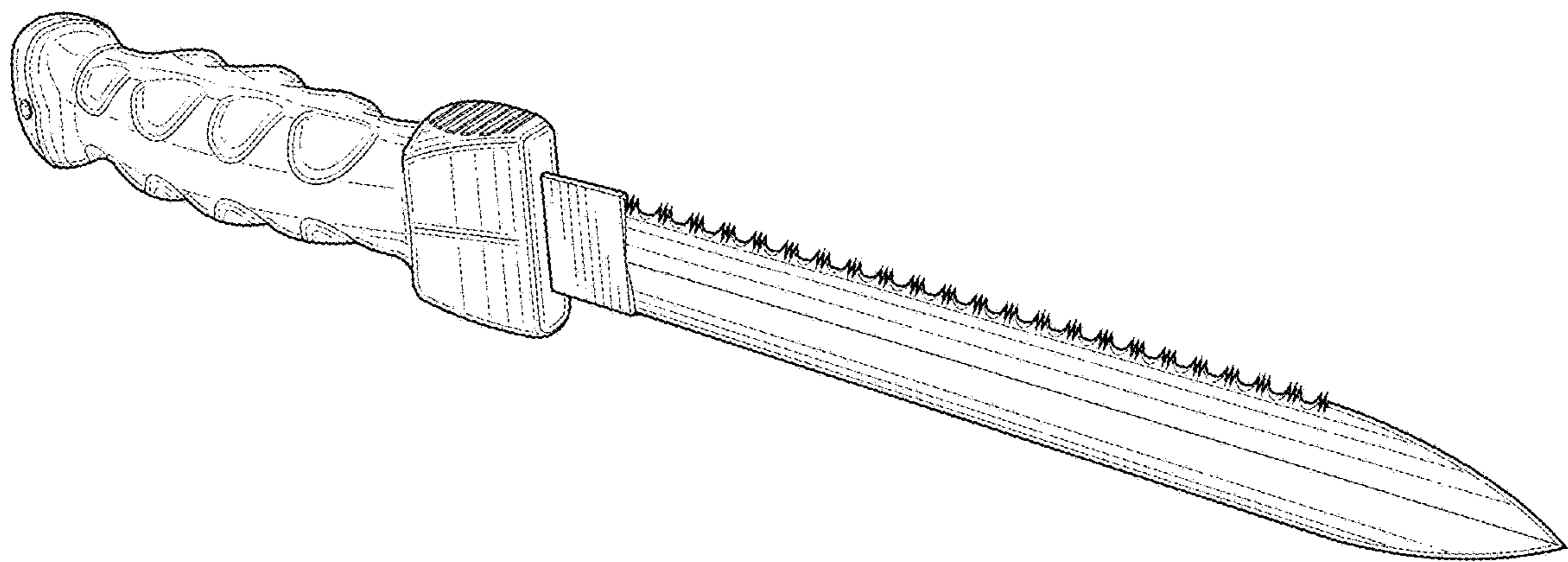


FIG. 1

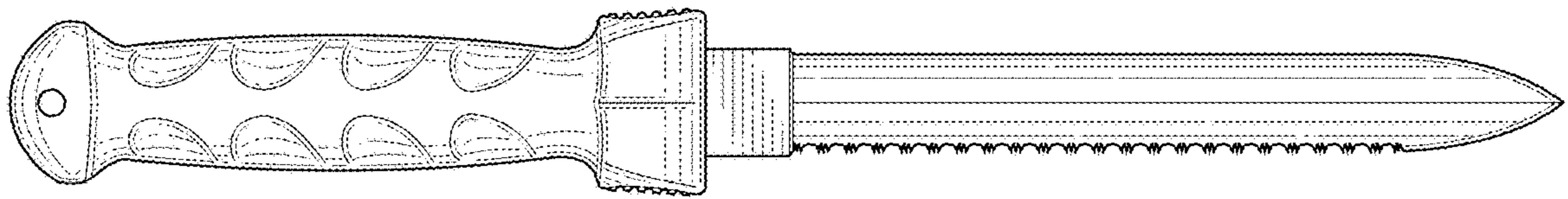


FIG. 2

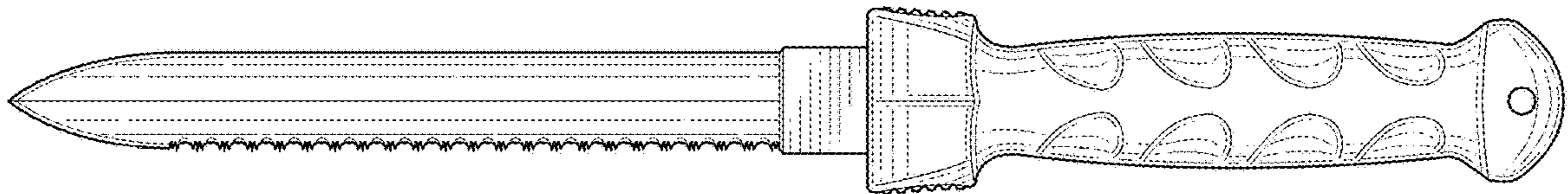


FIG. 3

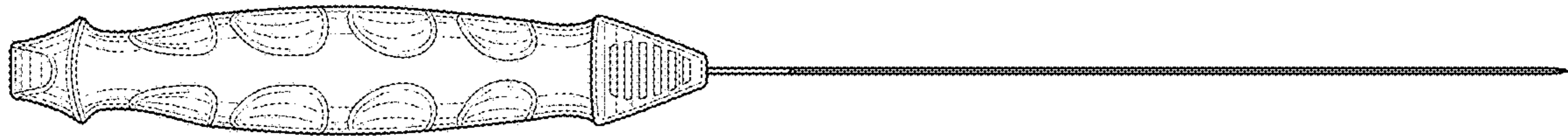


FIG. 4

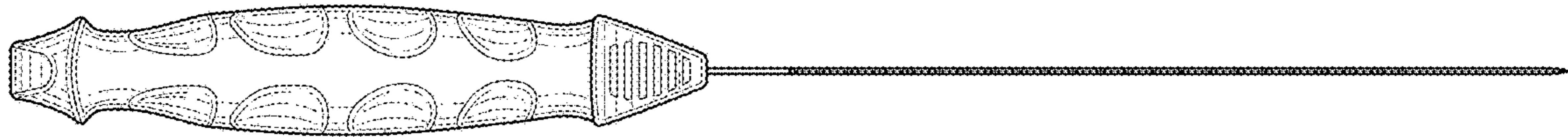


FIG. 5

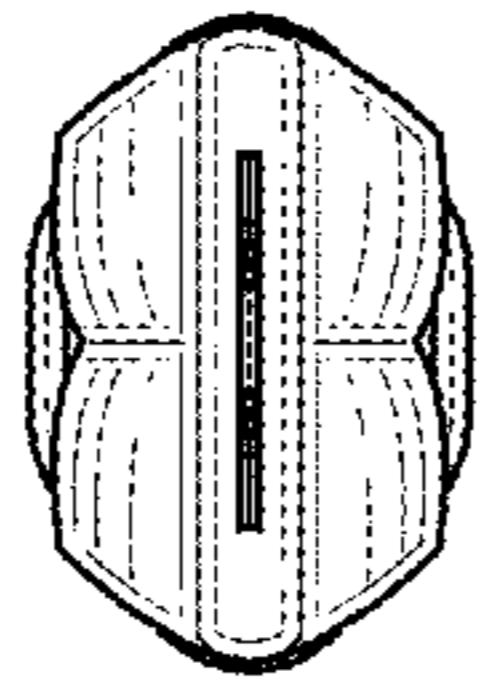


FIG. 6

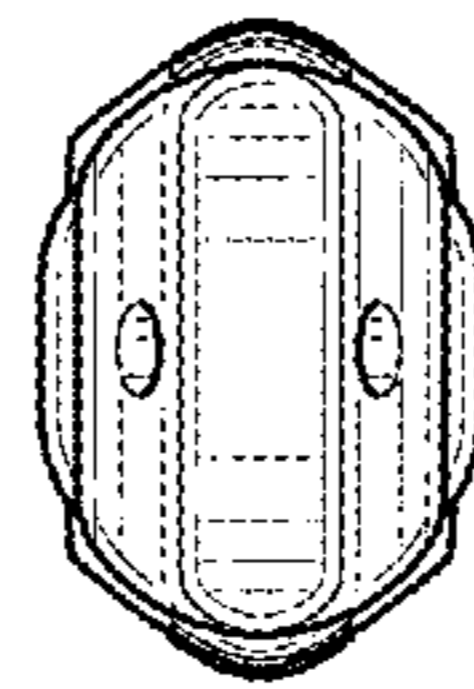


FIG. 7