



US00D811825S

(12) **United States Design Patent**  
**Neumann et al.**

(10) **Patent No.:** **US D811,825 S**  
(45) **Date of Patent:** **\*\* Mar. 6, 2018**

- (54) **FOOD STORAGE BOX**
- (71) Applicant: **Boolabox, Inc.**, Newark, DE (US)
- (72) Inventors: **Maia Magdalena Neumann**, Cos Cob, CT (US); **Daniela Paone Devitt**, Doylestown, PA (US)
- (73) Assignee: **BOOLABOX, INC.**, Newark
- (\*\*) Term: **15 Years**
- (21) Appl. No.: **29/575,679**
- (22) Filed: **Aug. 26, 2016**

- 3,240,610 A \* 3/1966 Cease ..... A47G 23/0683  
126/390.1
- 3,532,247 A \* 10/1970 Bridges ..... B65D 81/3834  
206/217
- 3,799,386 A \* 3/1974 Madalin ..... B65D 25/2897  
206/564
- 3,850,333 A \* 11/1974 Reichert ..... A45C 11/20  
206/545
- 4,013,798 A \* 3/1977 Goltsos ..... B65D 81/3453  
219/729
- D318,985 S \* 8/1991 Szablak ..... D30/133
- D320,909 S \* 10/1991 Szablak ..... D30/133
- 5,167,973 A \* 12/1992 Snyder ..... B65D 1/36  
206/222
- 5,328,051 A \* 7/1994 Potter ..... A47G 19/02  
220/501
- D357,034 S \* 4/1995 King ..... D19/77
- 5,887,749 A \* 3/1999 Schommer ..... A01K 5/0114  
206/564
- D440,118 S \* 4/2001 Claffy ..... D7/553.1
- 6,257,403 B1 \* 7/2001 Feldmeier ..... B65D 5/2047  
206/217

**Related U.S. Application Data**

- (63) Continuation of application No. 12/946,996, filed on Nov. 16, 2010.
- (51) **LOC (11) Cl.** ..... **07-07**
- (52) **U.S. Cl.**  
USPC ..... **D7/629**; D7/601
- (58) **Field of Classification Search**  
USPC ..... D7/701-708, 601, 629, 630, 550.1,  
D7/553.1-554.4; D19/77, 78, 92  
CPC ..... A45C 11/20; A01K 5/0114; A01K 7/00;  
B65D 1/24; B65D 1/00; B65D 1/36;  
B65D 1/34; B65D 81/3813; B65D  
81/3834; B65D 5/2047; B65D 25/2897;  
B65D 25/04; A47G 19/02; A47G 23/06;  
A47B 23/002  
See application file for complete search history.

(56) **References Cited**

**U.S. PATENT DOCUMENTS**

- D122,589 S \* 9/1940 Bastress ..... 220/575
- 3,025,947 A \* 3/1962 Hammer ..... A45C 11/20  
206/545

(Continued)

*Primary Examiner* — Terry A Wallace

(74) *Attorney, Agent, or Firm* — Norton Rose Fulbright US LLP

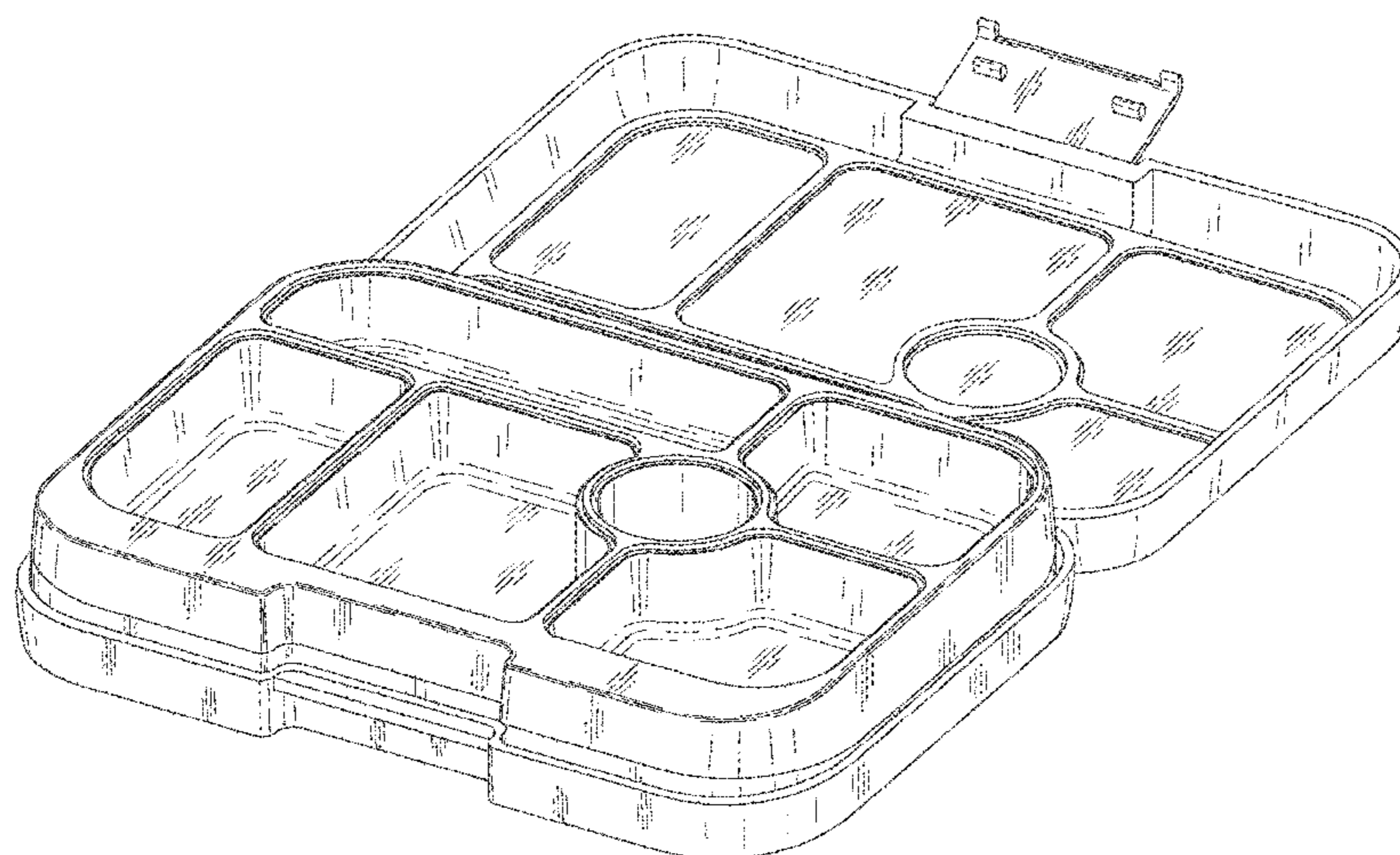
(57) **CLAIM**

The ornamental design for a food storage box, as shown and described.

**DESCRIPTION**

FIG. 1 is a perspective view of the open food storage box. FIG. 2 is a perspective view of the closed food storage box. FIG. 3 is a top view of the closed food storage box. FIG. 4 is a bottom view of the closed food storage box. FIG. 5 is a front view of the closed food storage box. FIG. 6 is a back view of the closed food storage box; and, FIG. 7 is a side view of the closed food storage box, where left and right side views are identical.

**1 Claim, 2 Drawing Sheets**



(56)

**References Cited**

U.S. PATENT DOCUMENTS

7,326,428 B2 *	2/2008	Weir	.....	A47J 47/10 220/23.88
D600,504 S *	9/2009	Clark	.....	D7/553.5
8,328,034 B2 *	12/2012	Miros	.....	A45C 11/20 220/23.86
8,376,177 B2 *	2/2013	Castner	.....	A45C 11/20 206/561
D711,196 S *	8/2014	May	.....	D7/637
2003/0006156 A1 *	1/2003	McCracken	.....	B44C 7/02 206/373
2006/0201950 A1 *	9/2006	Liu	.....	B65D 1/24 220/526
2010/0224531 A1 *	9/2010	Claffy	.....	A47G 23/06 206/561

\* cited by examiner



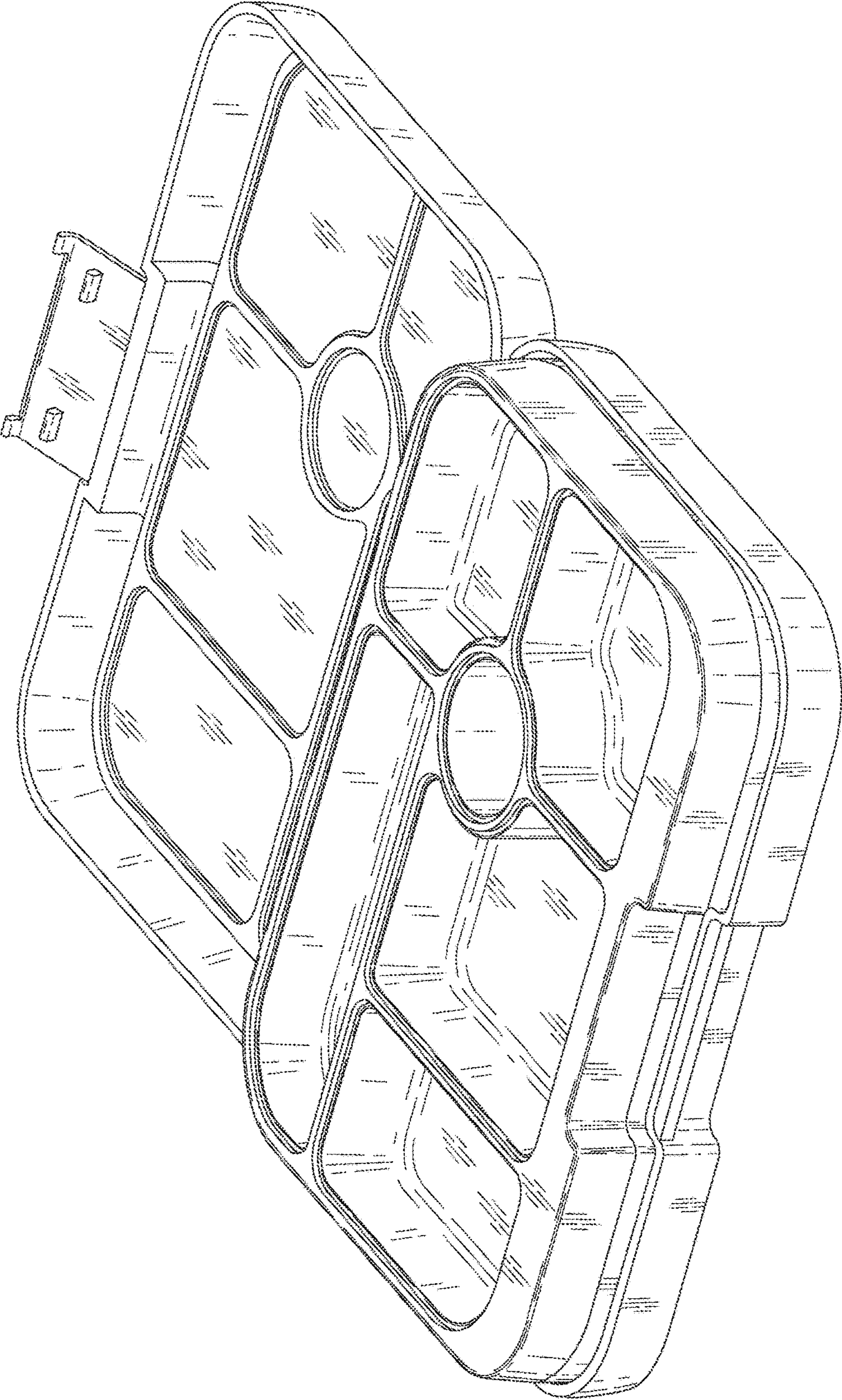


FIG. 1

FIG. 2

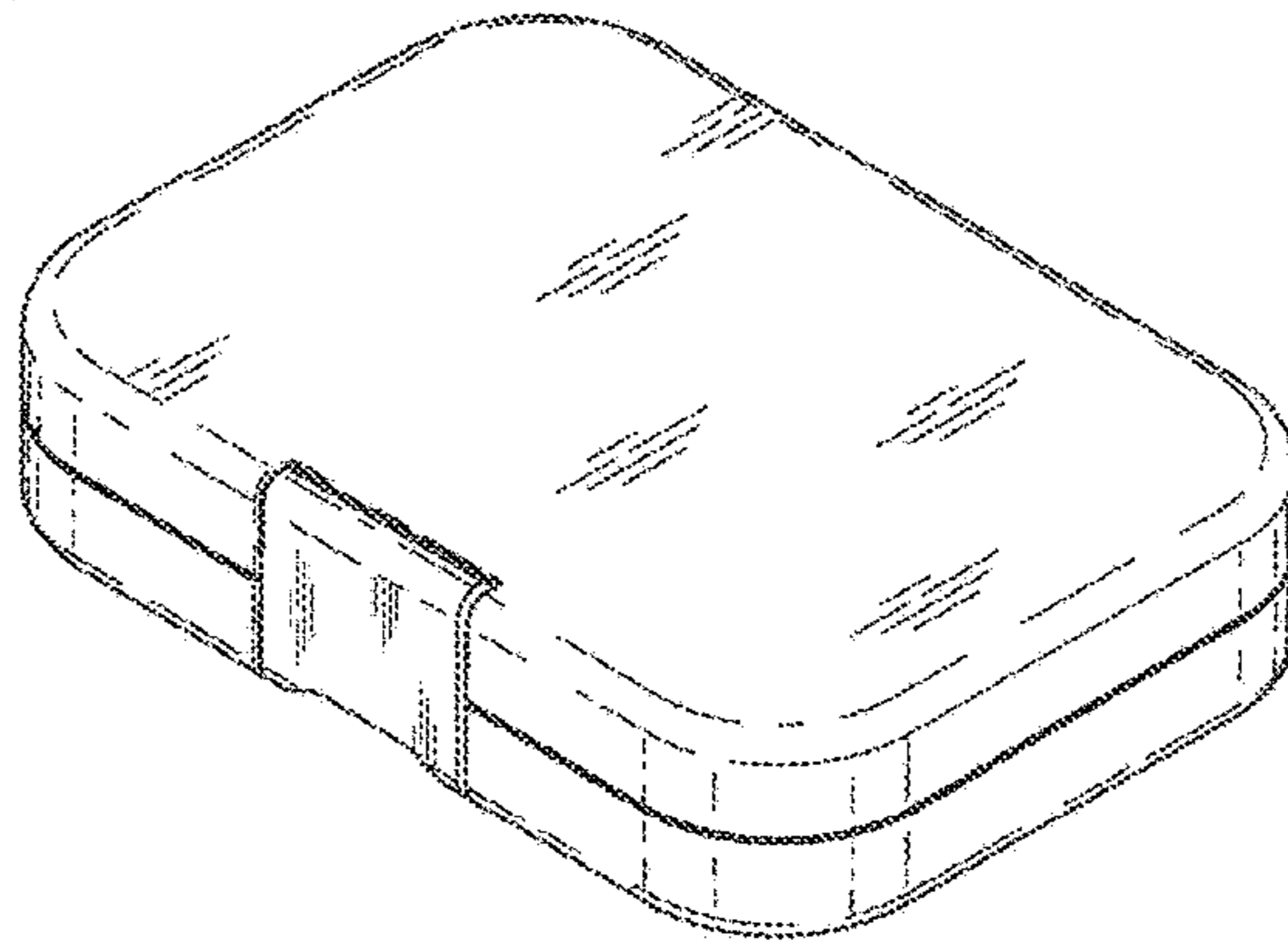


FIG. 3

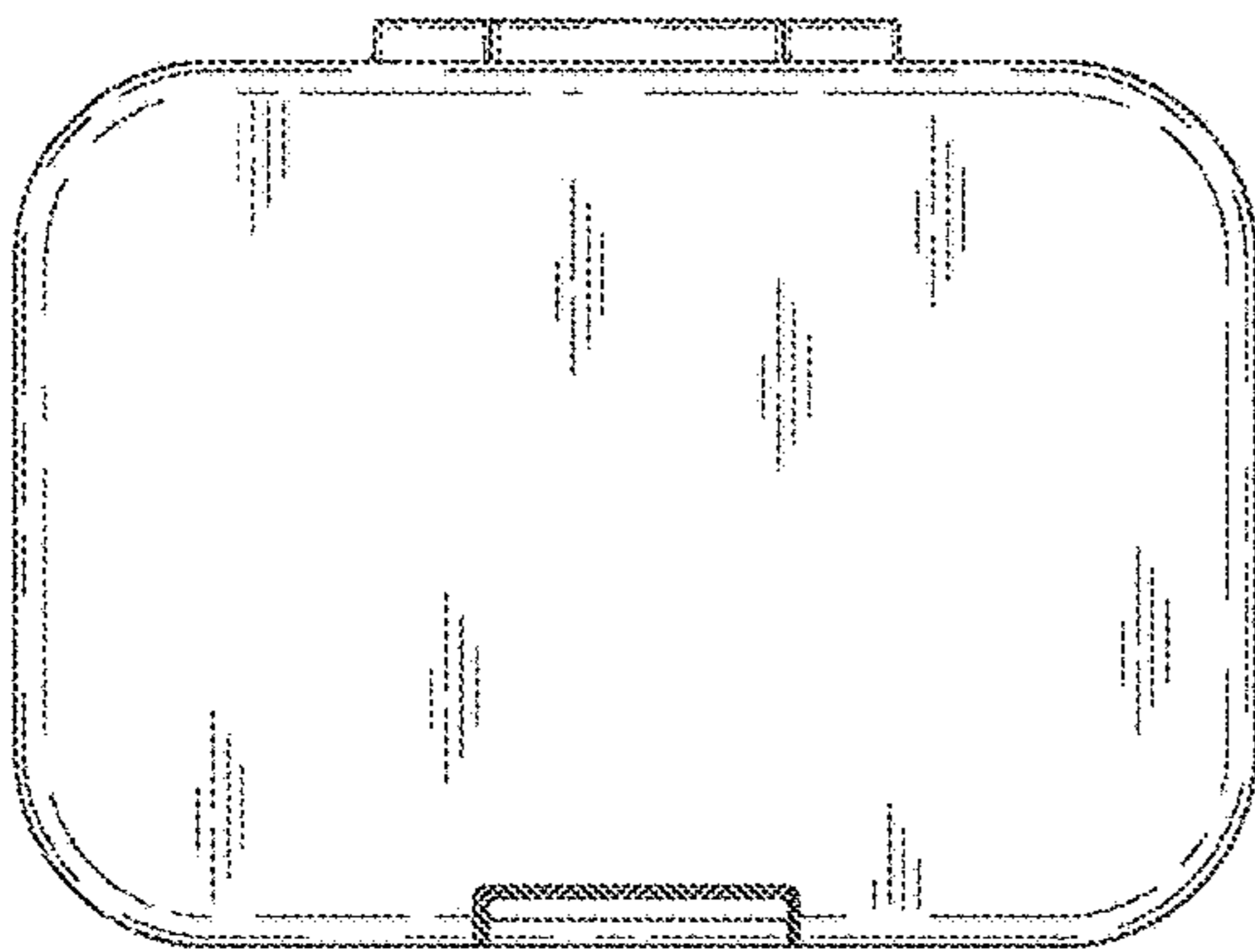


FIG. 4

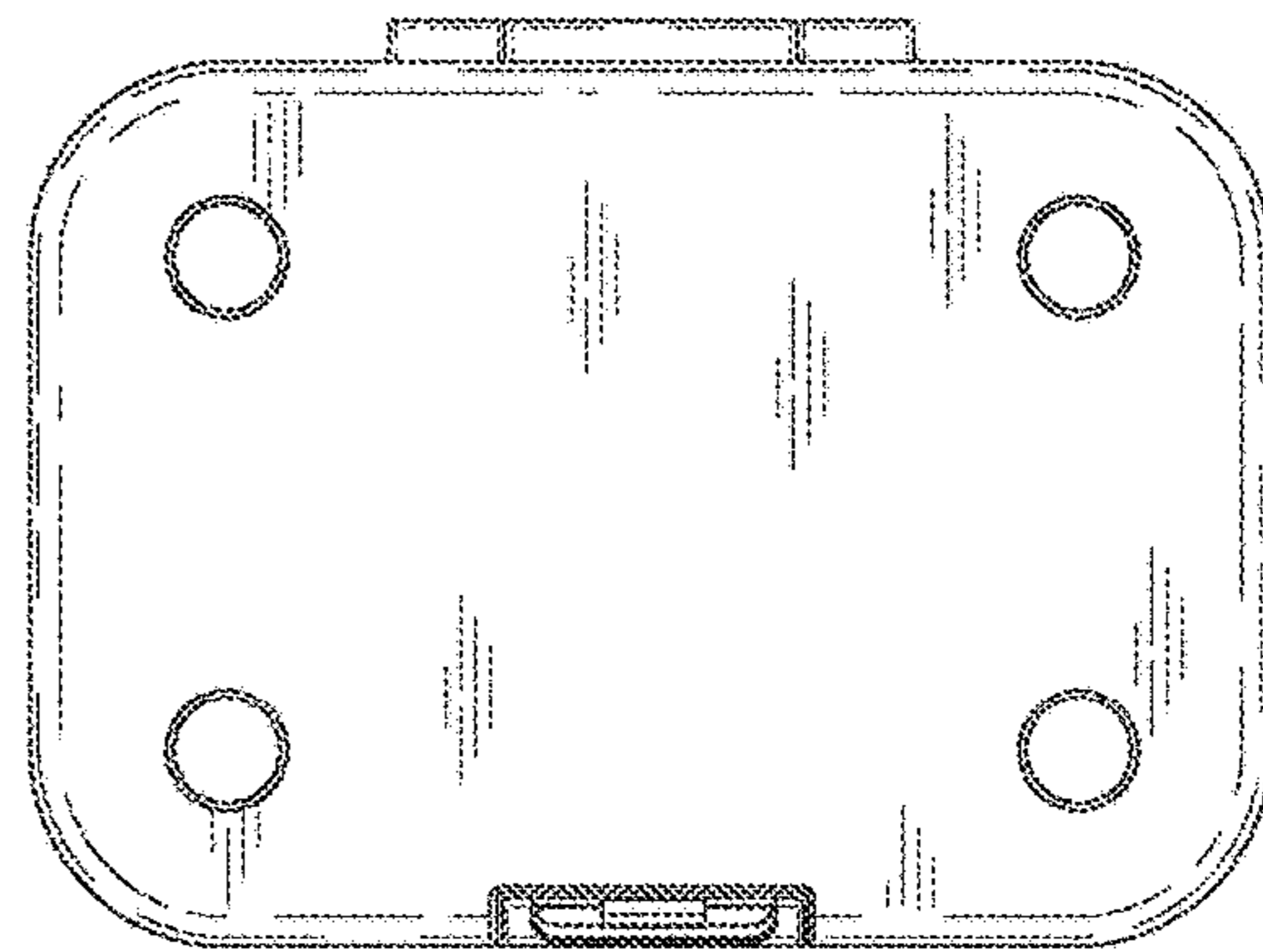


FIG. 5

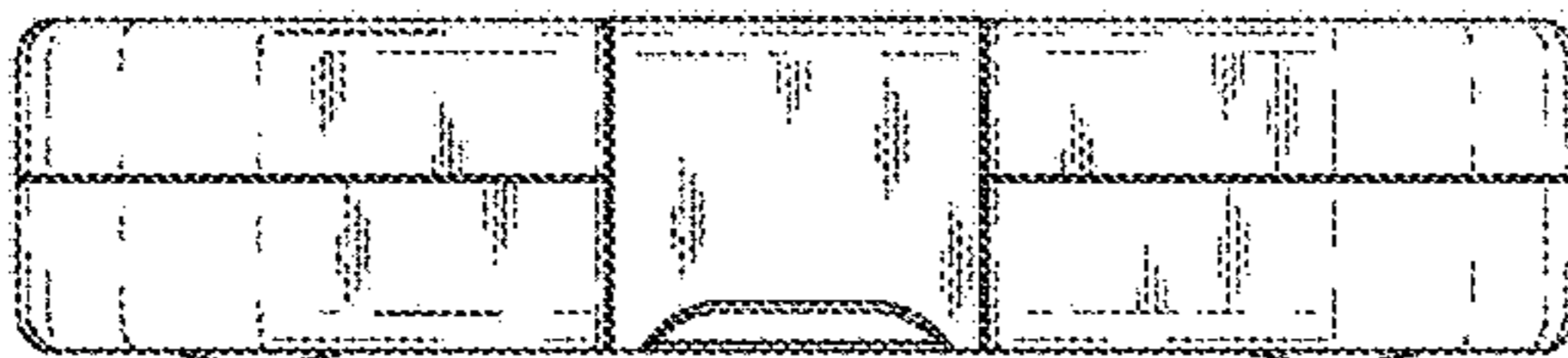


FIG. 6

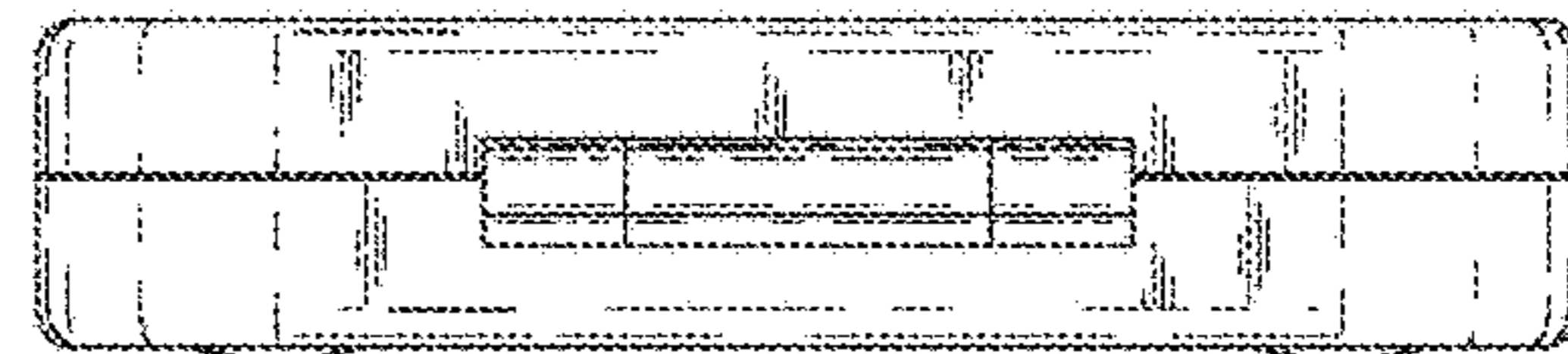


FIG. 7

