



US00D811823S

(12) **United States Design Patent**
Kandel

(10) **Patent No.:** **US D811,823 S**
(45) **Date of Patent:** **** Mar. 6, 2018**

- (54) **WINE BAG**
- (71) Applicant: **PACKIT, LLC**, Westlake Village, CA (US)
- (72) Inventor: **Michael Kandel**, Los Angeles, CA (US)
- (73) Assignee: **PACKIT, LLC**, Westlake Village, CA (US)
- (**) Term: **15 Years**
- (21) Appl. No.: **29/577,604**
- (22) Filed: **Sep. 14, 2016**
- (51) **LOC (11) Cl.** **07-01**
- (52) **U.S. Cl.**
USPC **D7/607**
- (58) **Field of Classification Search**
USPC D7/603–608, 709, 710; D3/215, 218, D3/290, 299
CPC ... A45C 11/20; A45F 5/02; A45F 3/16; F25D 3/08; F25D 3/14; F25D 2331/804; B65D 81/3886; B65D 81/3823
See application file for complete search history.

D764,872 S * 8/2016 Collie D7/607
D779,282 S * 2/2017 Patten D7/602
2007/0221693 A1* 9/2007 Moore A45F 3/16
224/148.6

* cited by examiner

Primary Examiner — Terry A Wallace

(74) *Attorney, Agent, or Firm* — Procopio Cory Hargreaves and Savitch LLP; Patric Rawlins

(57) **CLAIM**

The ornamental design for the wine bag, as shown and described.

DESCRIPTION

FIG. 1 shows a perspective view of a wine bag according to the present invention, wherein the broken lines are included for the purpose of illustrating a portion of the container that forms no part of the claimed design;

FIG. 2 shows a front side view of the wine bag of FIG. 1, wherein the broken lines are included for the purpose of illustrating a portion of the container that forms no part of the claimed design;

FIG. 3 shows a back side view of the wine bag of FIG. 1, wherein the broken lines are included for the purpose of illustrating a portion of the container that forms no part of the claimed design;

FIG. 4 shows a side view of the wine bag of FIG. 1, wherein the broken lines are included for the purpose of illustrating a portion of the container that forms no part of the claimed design;

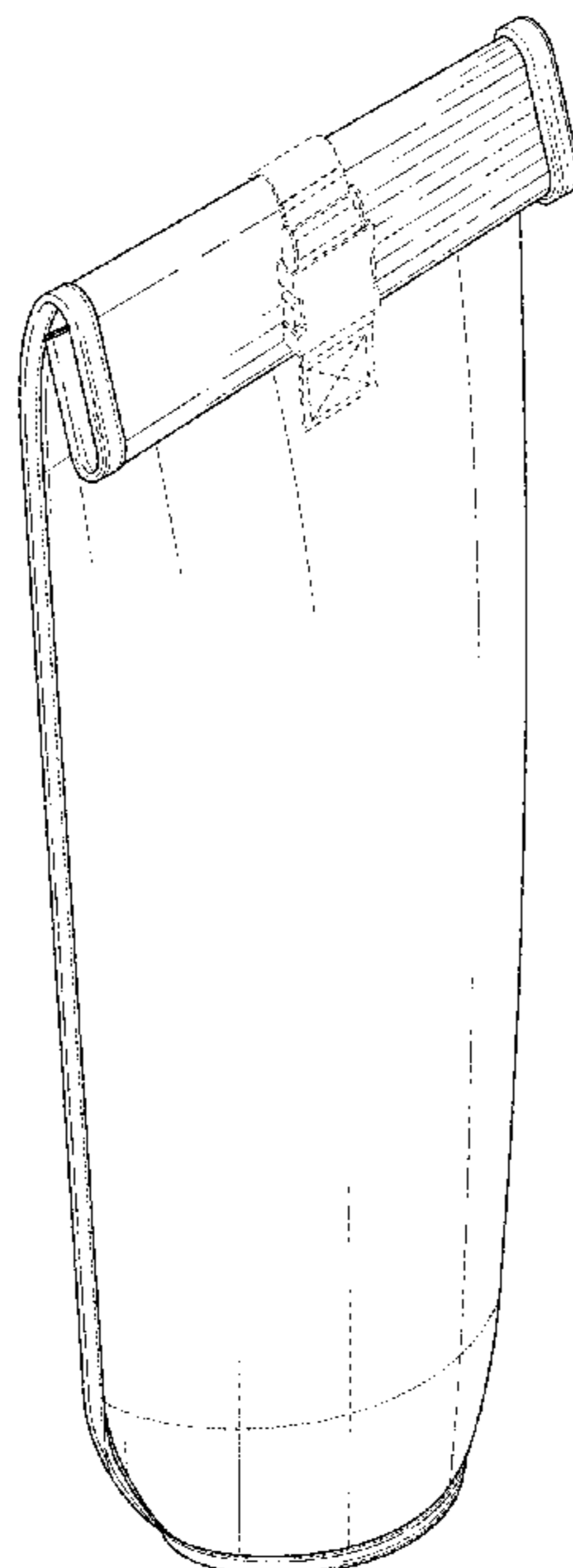
FIG. 5 shows a top view of the wine bag of FIGS. 1; and, FIG. 6 shows a bottom view of the wine bag of FIG. 1, wherein the broken lines are included for the purpose of illustrating a portion of the container that forms no part of the claimed design.

(56) **References Cited**

U.S. PATENT DOCUMENTS

- D344,413 S * 2/1994 Bedrosian D3/202
- D368,800 S * 4/1996 Shink D3/218
- D411,419 S * 6/1999 Wyant D7/607
- 5,931,583 A * 8/1999 Collie A45C 11/20
383/110
- D572,481 S * 7/2008 Metzger D3/299
- D674,664 S * 1/2013 Collie D7/607
- D677,127 S * 3/2013 Brown D7/607
- D718,529 S * 12/2014 Wang D3/290

1 Claim, 5 Drawing Sheets



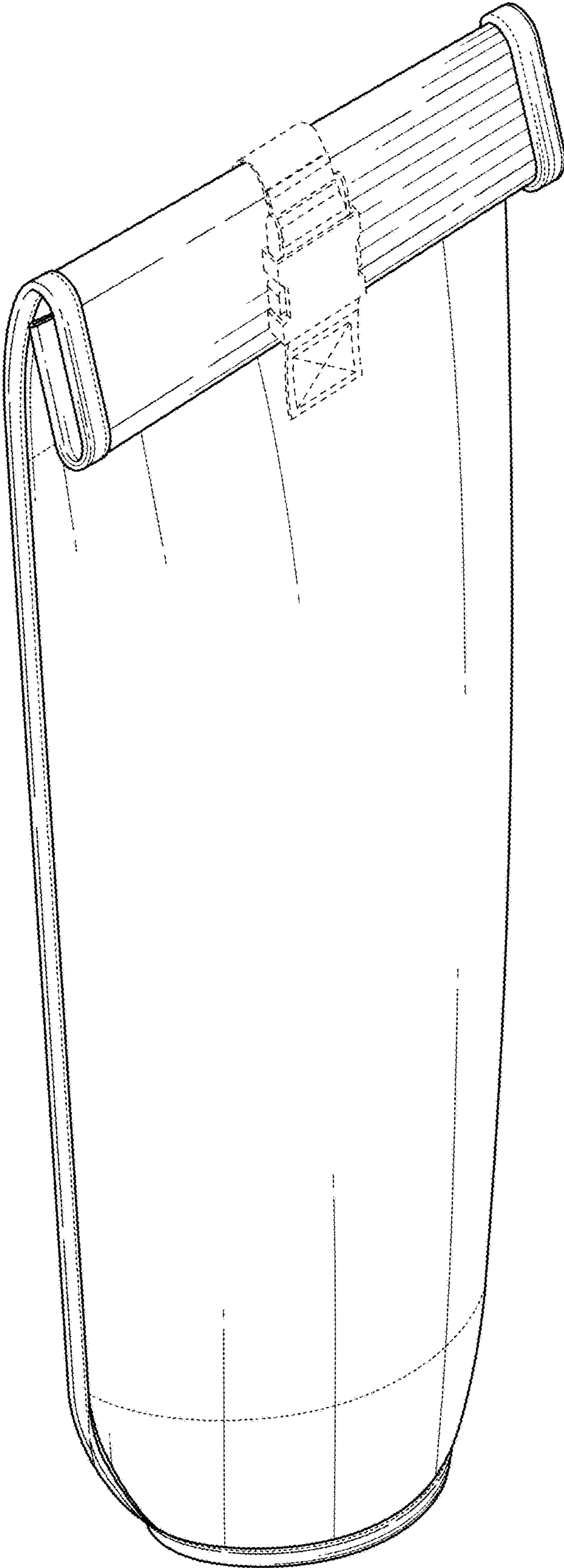


FIG. 1

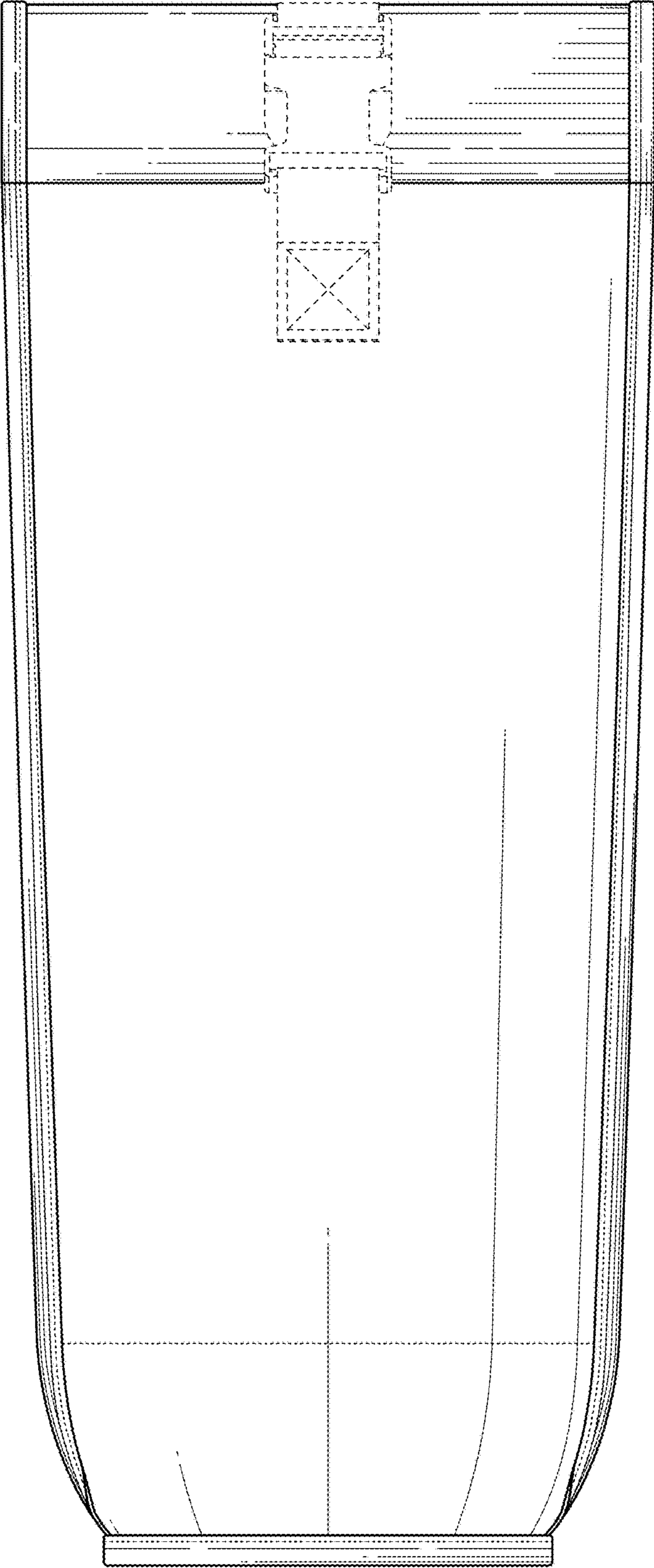


FIG. 2

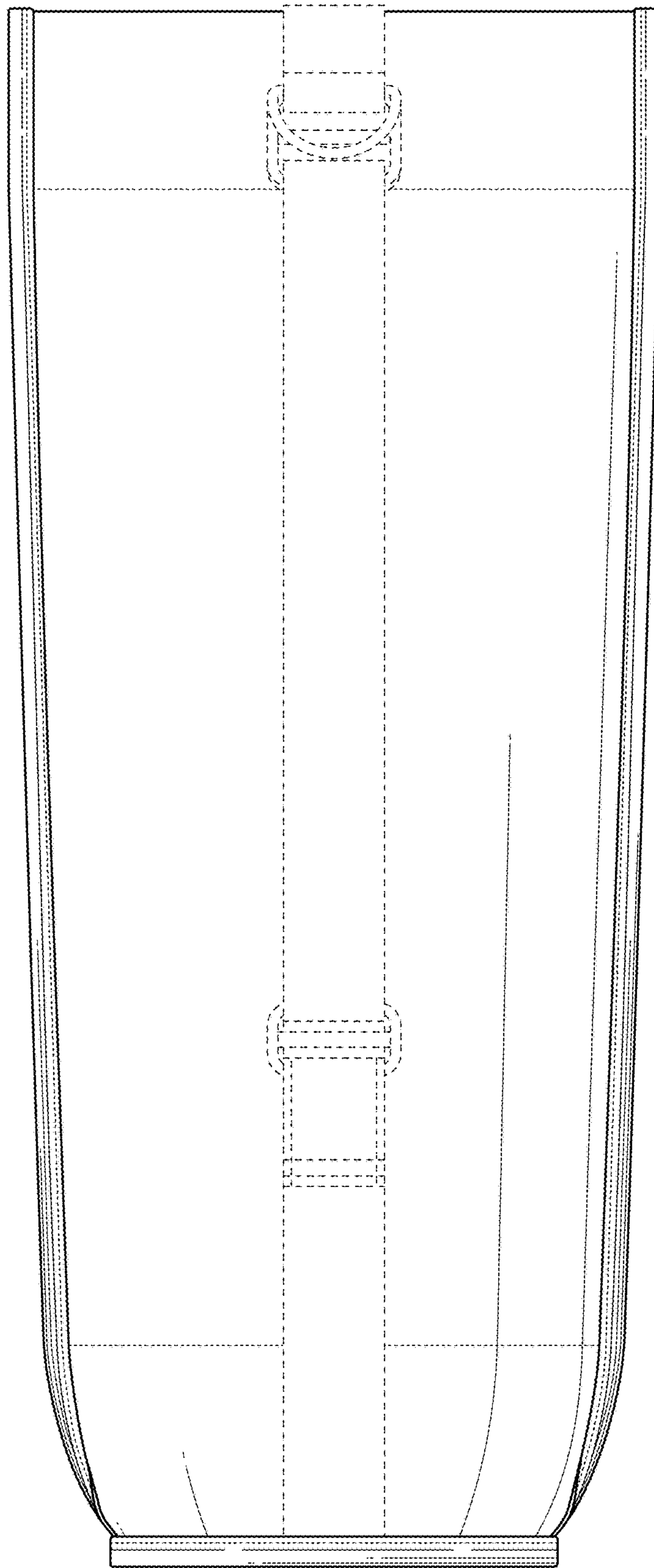


FIG. 3

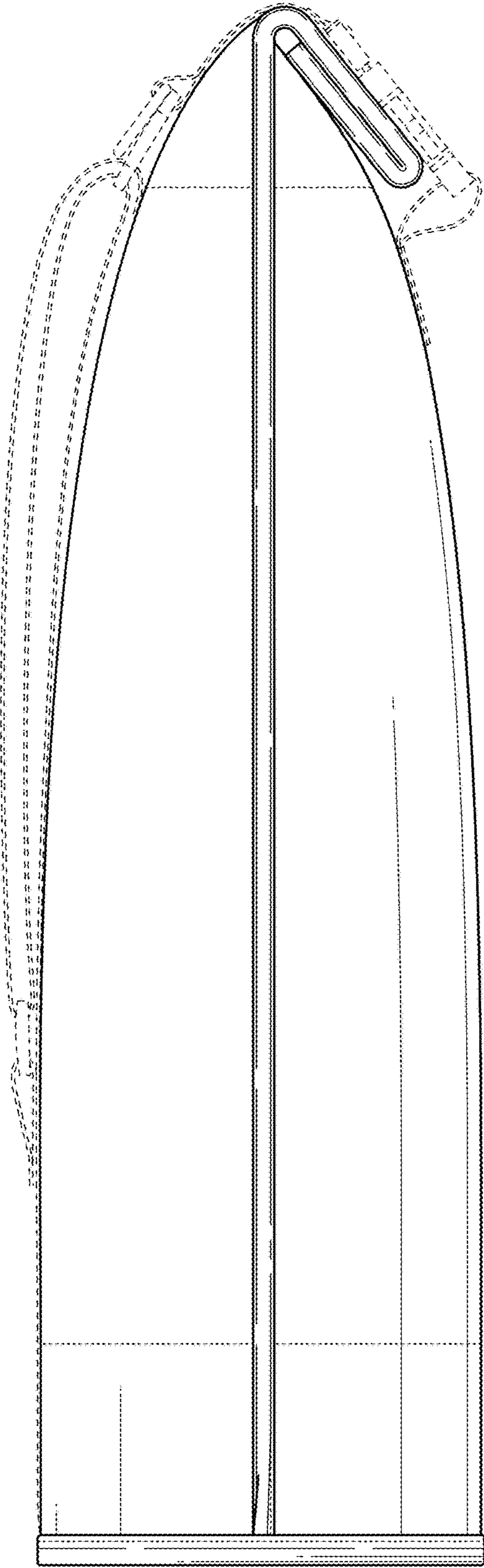


FIG. 4

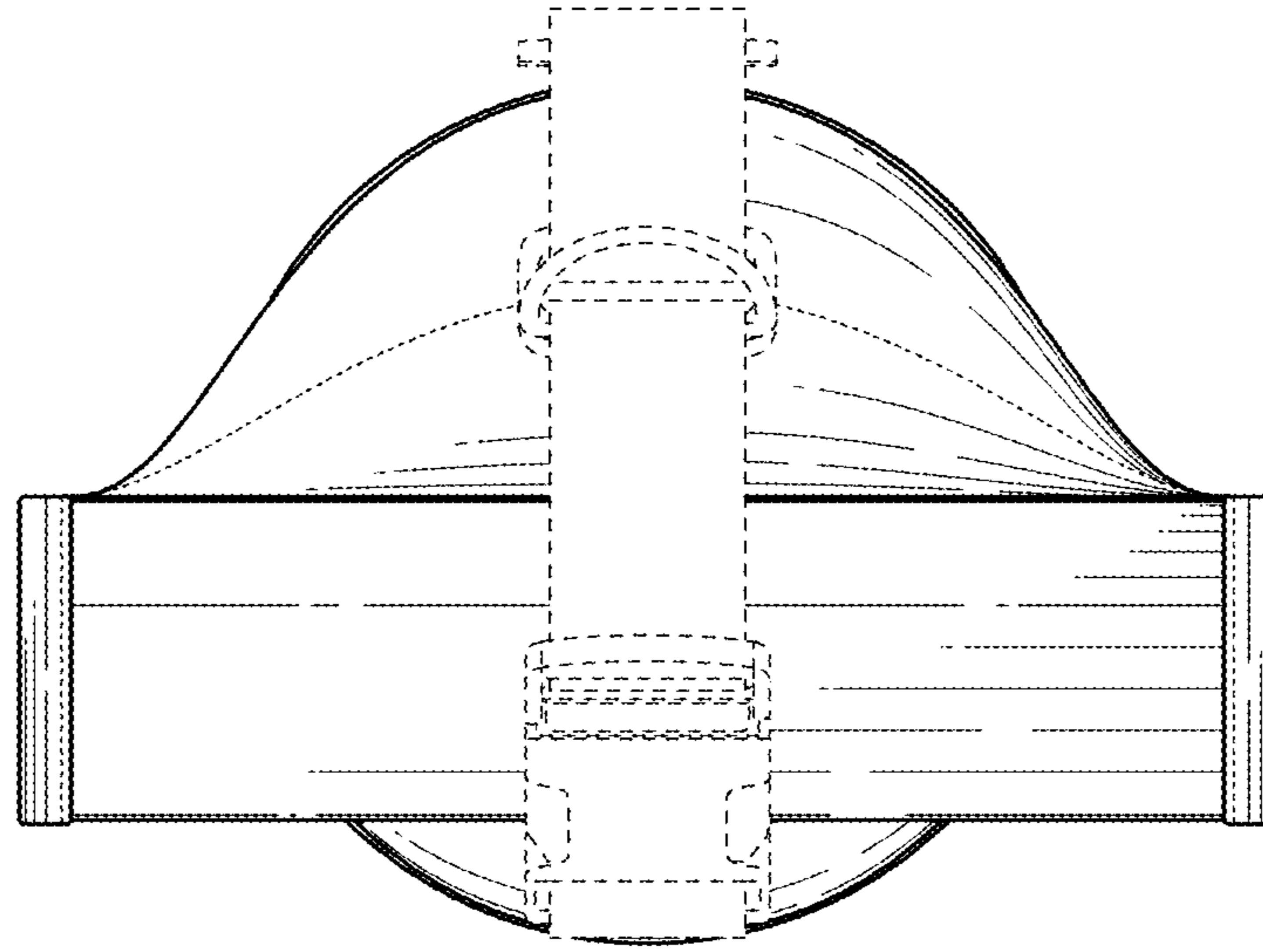


FIG. 5

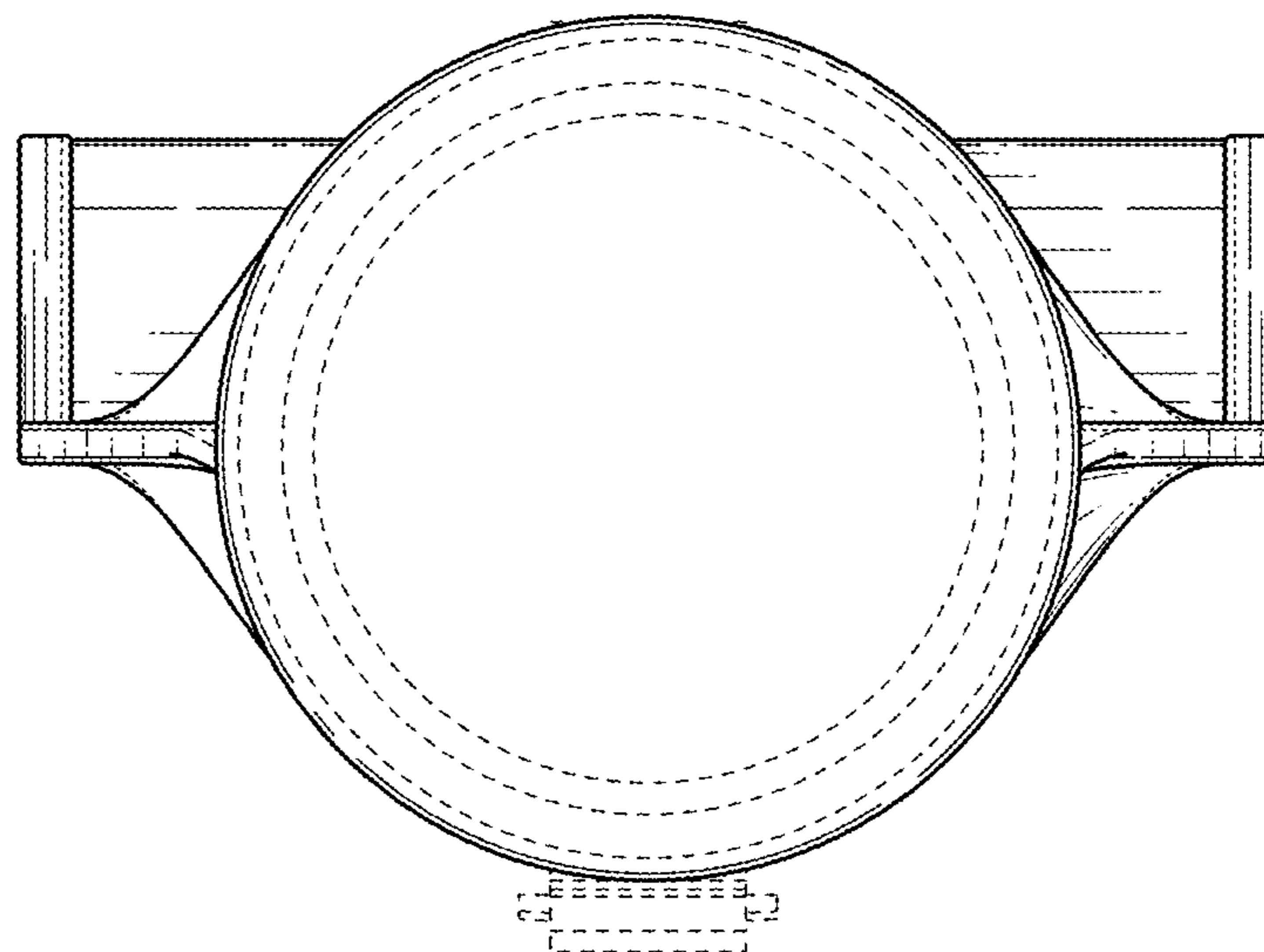


FIG. 6