



US00D811817S

(12) **United States Design Patent** (10) **Patent No.:** **US D811,817 S**
Harrington, III et al. (45) **Date of Patent:** **** Mar. 6, 2018**

(54) **CUP**

(71) Applicant: **SIC PRODUCTS LLC**, Naples, FL (US)
(72) Inventors: **Robert H Harrington, III**, Jacksonville, FL (US); **Erik D Howe**, Naples, FL (US)
(73) Assignee: **SIC Products, LLC**, Jacksonville, FL (US)
(**) Term: **15 Years**

(21) Appl. No.: **29/572,939**

(22) Filed: **Aug. 1, 2016**

(51) **LOC (11) Cl.** **07-01**

(52) **U.S. Cl.**
USPC **D7/510**

(58) **Field of Classification Search**
USPC D7/392.1, 396.2, 509-511, 538, 619.1;
D9/777, 778, 779, 780; D34/1
CPC A47G 19/22; A47G 19/2216
See application file for complete search history.

(56) **References Cited**

U.S. PATENT DOCUMENTS

D476,193 S *	6/2003	Janky	D7/510
D483,995 S *	12/2003	Otake	D7/523
D536,213 S *	2/2007	Schuler	D7/392.1
D569,183 S *	5/2008	Blake	D7/509
D600,073 S *	9/2009	Carreno	D7/509
D648,599 S *	11/2011	Watanabe	D7/509
D690,988 S *	10/2013	Audette	D7/392.1
D729,581 S *	5/2015	Boroski	D7/510
D751,341 S *	3/2016	Seiders	D7/396.2
D761,619 S *	7/2016	Seiders	D7/392.1
D790,272 S *	6/2017	Han	D7/396.2
2015/0250340 A1 *	9/2015	Liu	B65D 43/02 220/254.9

OTHER PUBLICATIONS

Cup! Yeti 20 oz Tumbler Lid! posted at Amazon.com, posted on Jul. 11, 2016, © 1996-2017 Amazon.com, [online], [site visited Jun. 31, 2017]. Available from Internet, <URL: https://www.amazon.com/Tumbler-Yeti-Rambler-Lowball-Tumblers/dp/B01I90QJJO/ref=sr_1_9?ie=UTF8&qid=1499521648&sr=8-9&keywords=yeti+tumbler+lid>.*
Cup! Thermos Vacuum Tumbler! posted at Amazon.com, posted on Apr. 16, 2013, © 1996-2017 Amazon.com, [online], [site visited Jun. 31, 2017]. Available from Internet, <URL: https://www.amazon.com/THERMOS-insulation-tumbler-stainless-JDA-400/dp/B00BB76L90/ref=sr_1_3?ie=UTF8&qid=1499522885&sr=8-3&keywords=thermos+vacuum+400ml>.*

* cited by examiner

Primary Examiner — Daniel D Bui
Assistant Examiner — Andrew Kerr

(74) *Attorney, Agent, or Firm* — Bond, Schoeneck & King, PLLC

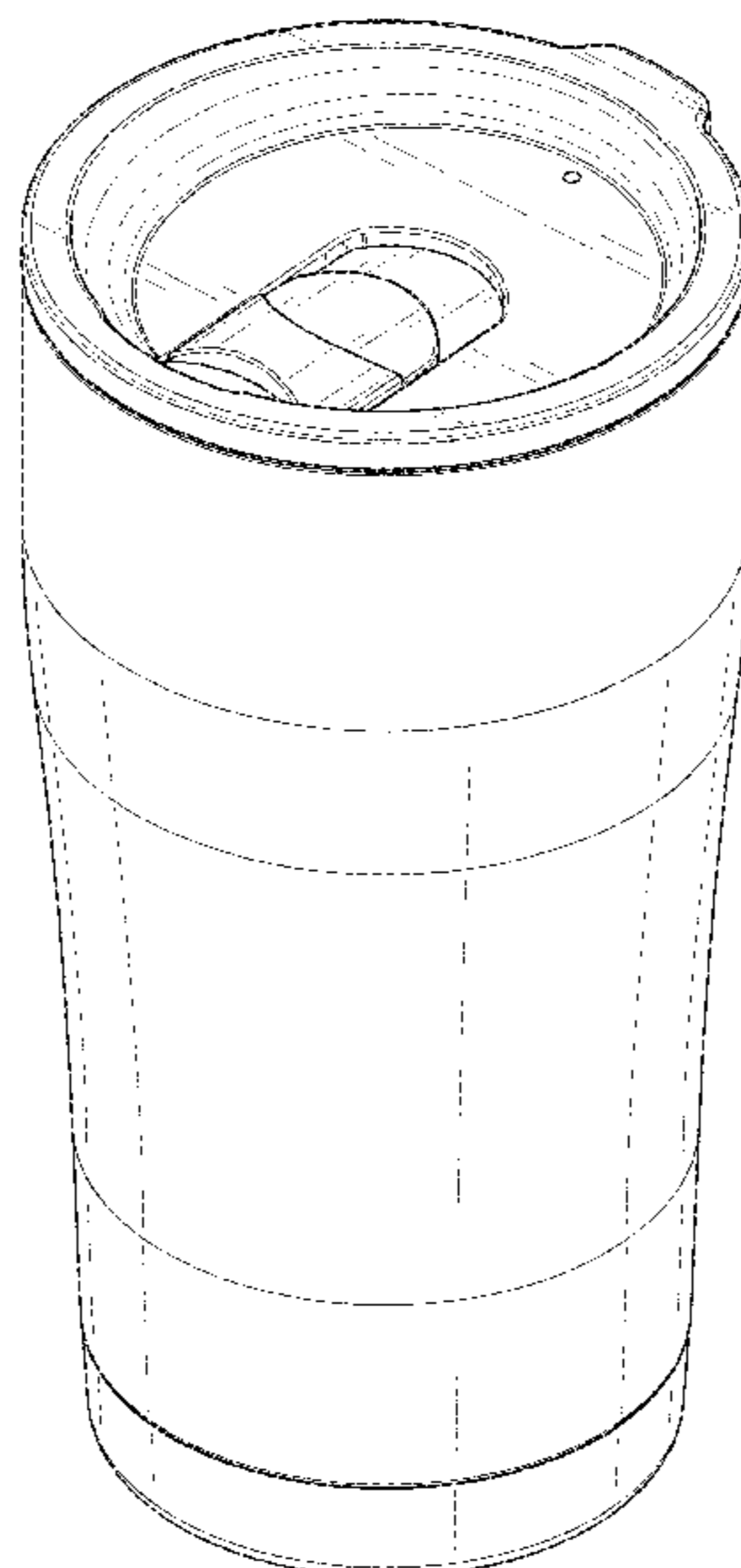
(57) **CLAIM**

The ornamental design for a cup, as shown and described.

DESCRIPTION

FIG. 1 is a perspective view of a cup showing our new design;
FIG. 2 is a reverse side view of the cup shown in FIG. 1;
FIG. 3 is a front side view of the cup shown in FIG. 1;
FIG. 4 is a left side view of the cup shown in FIG. 1;
FIG. 5 is a right side view of the cup shown in FIG. 1;
FIG. 6 is a top view of the cup shown in FIG. 1; and,
FIG. 7 is a bottom view of the cup shown in FIG. 1.
The broken lines in the drawing views represent unclaimed portions of a cup, which are included for the purpose of illustrating unclaimed environment only, and forms no part of the claimed design.

1 Claim, 7 Drawing Sheets



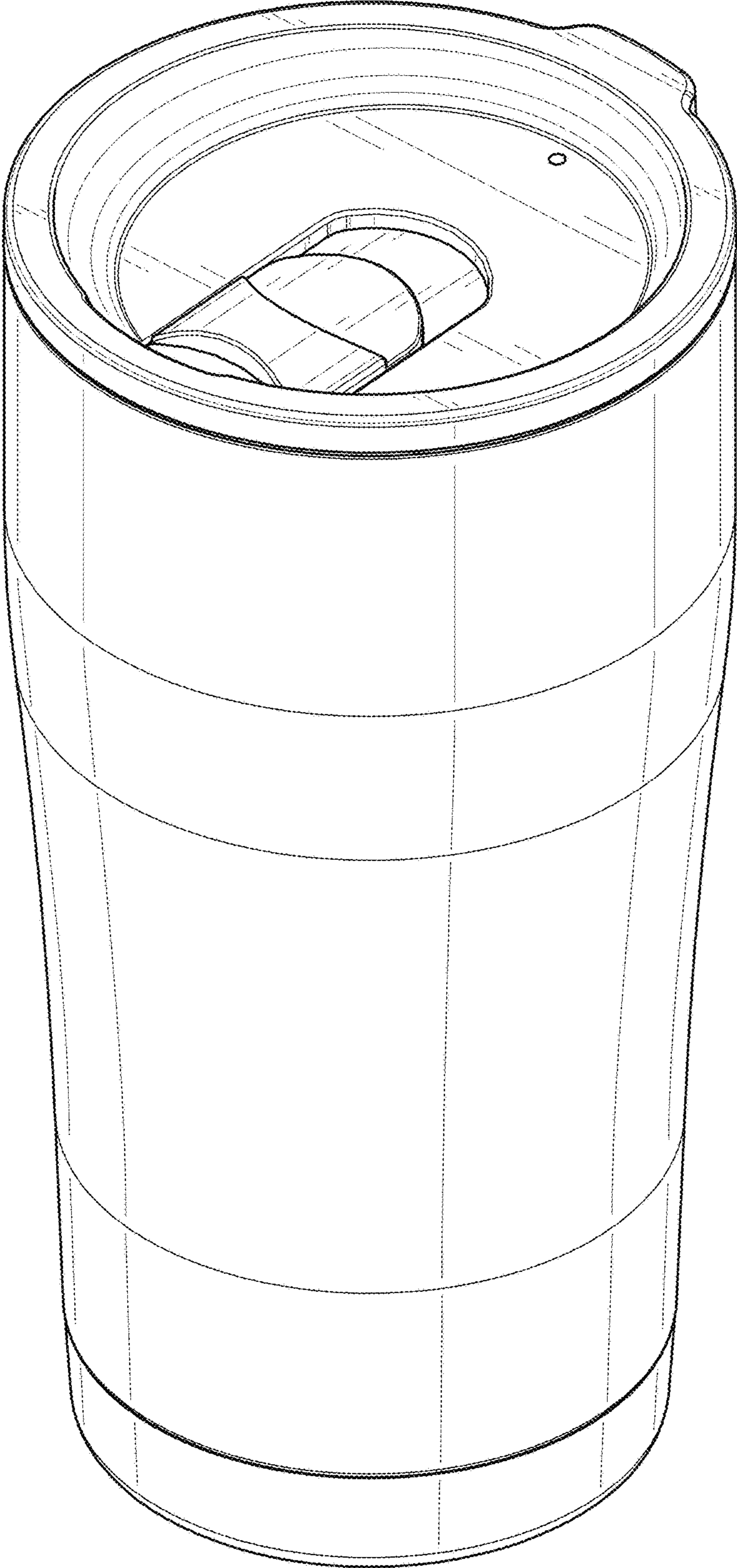


FIG. 1

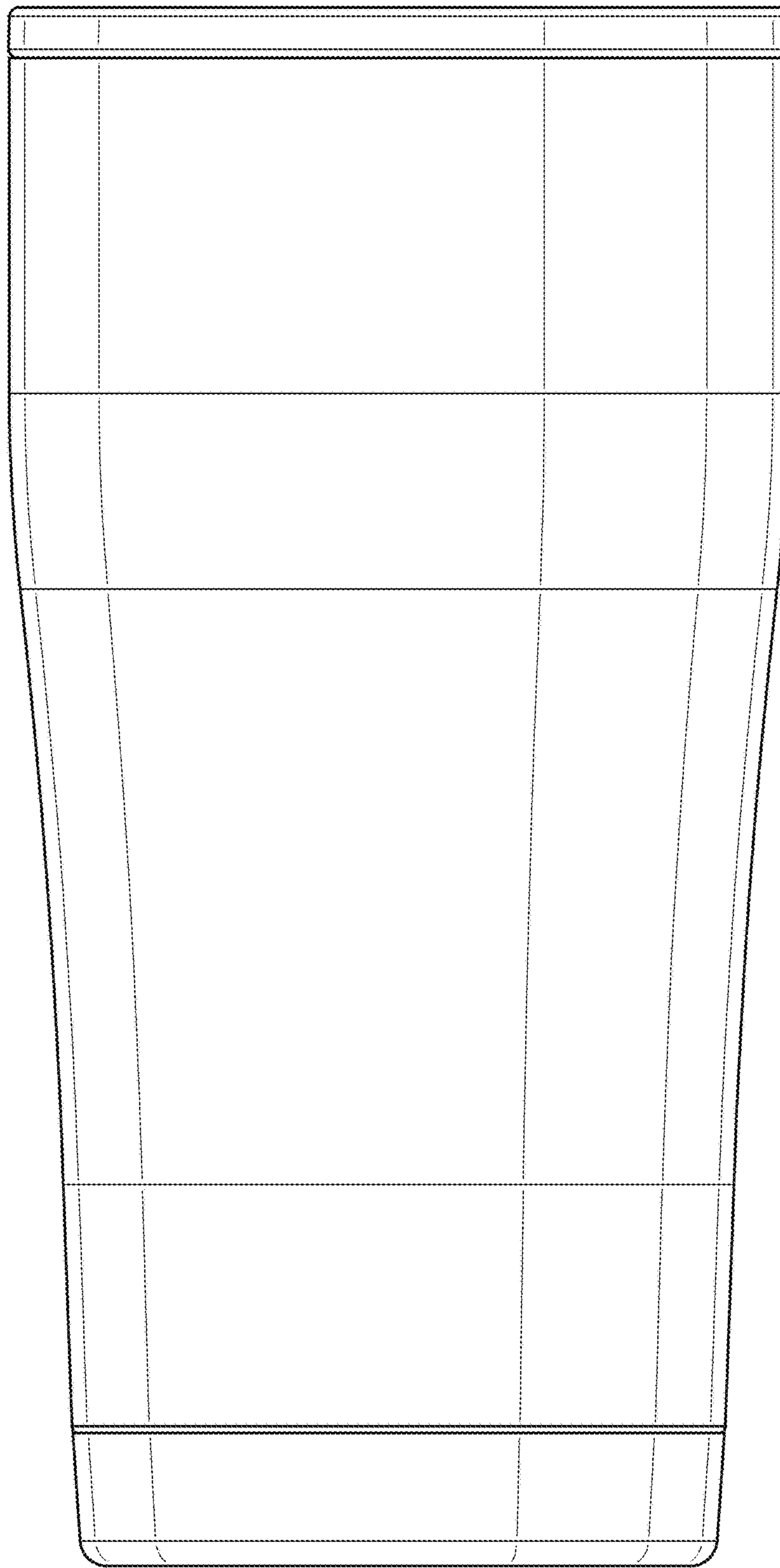


FIG. 2

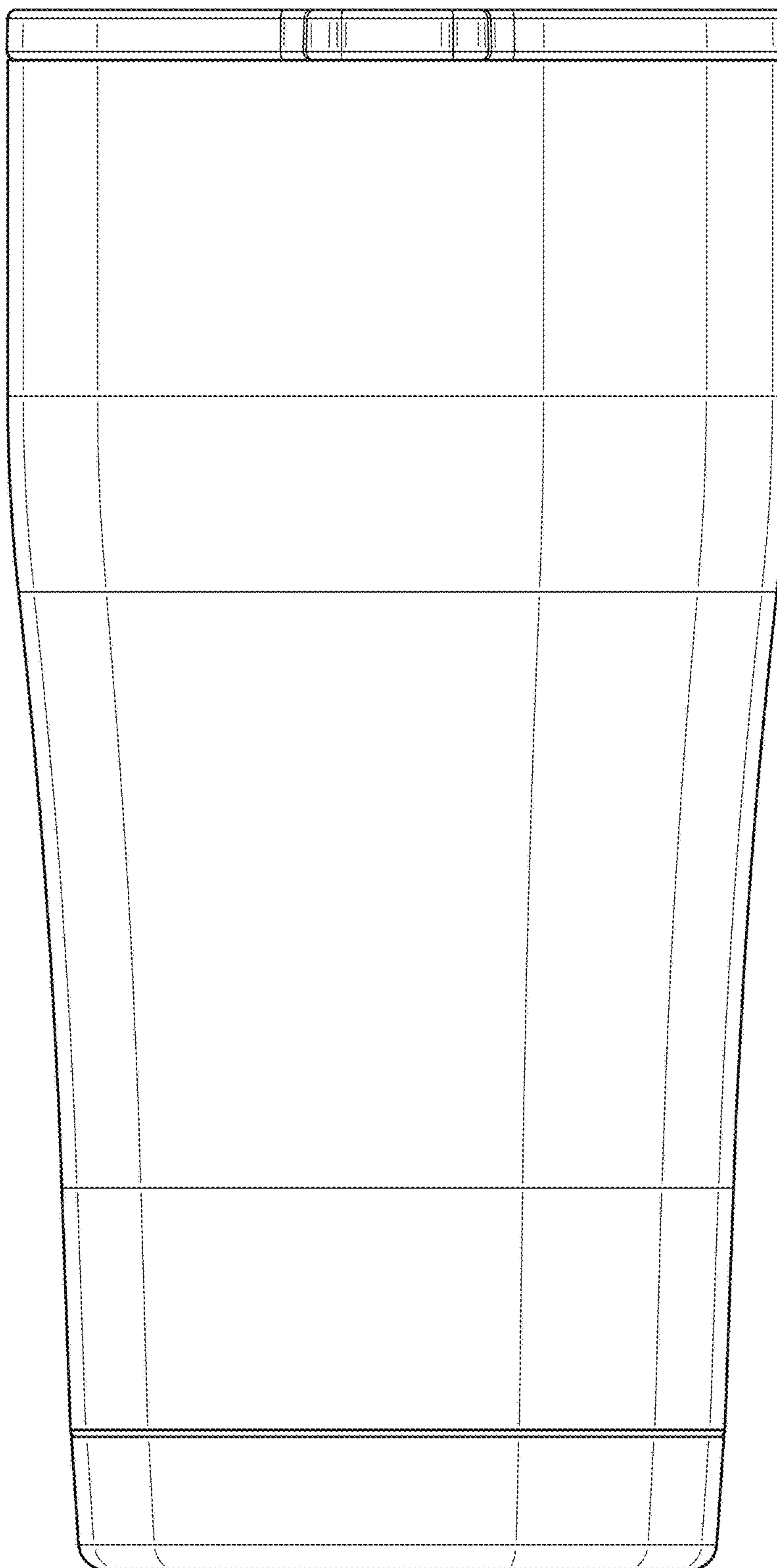


FIG. 3

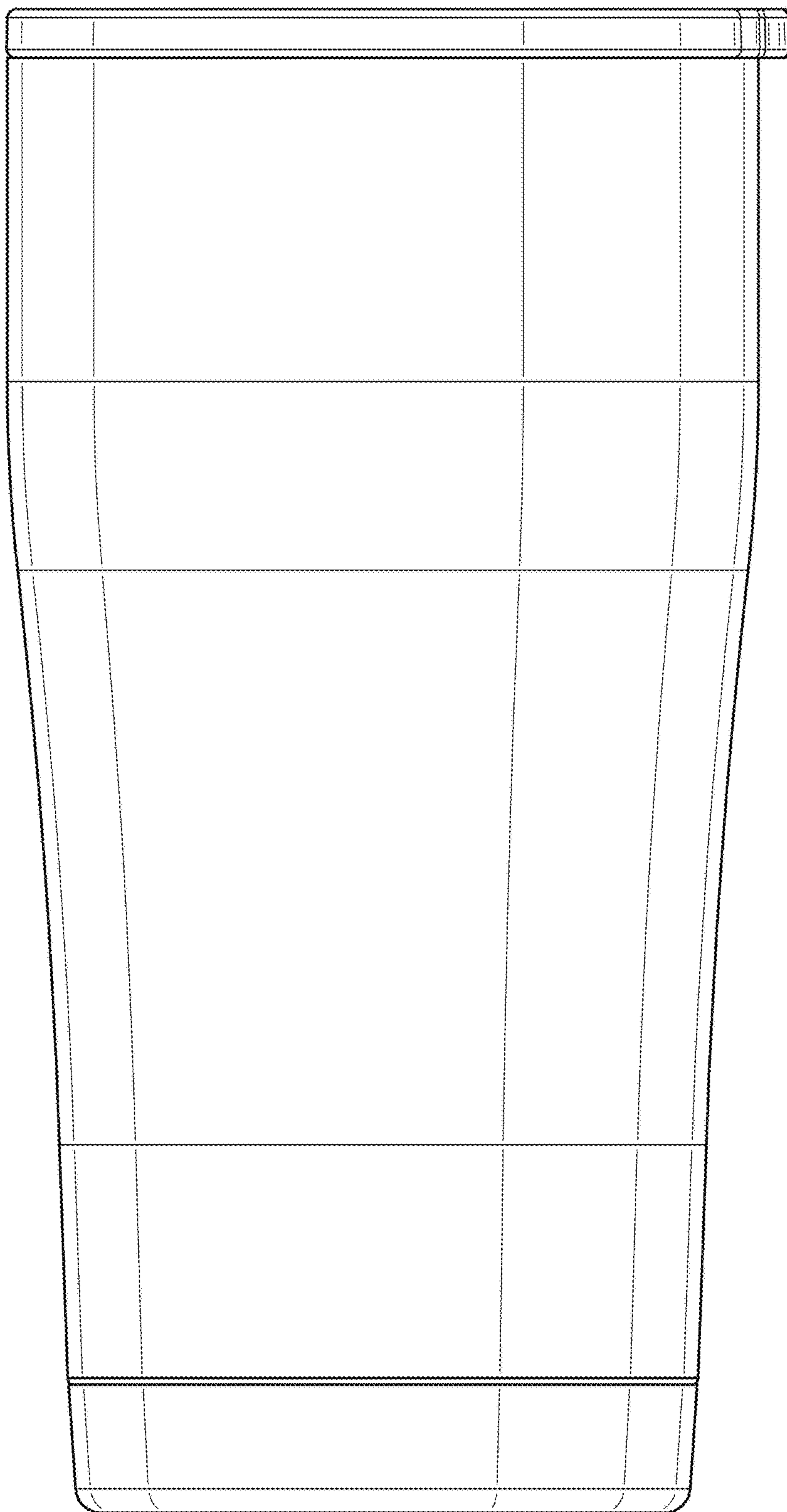


FIG. 4

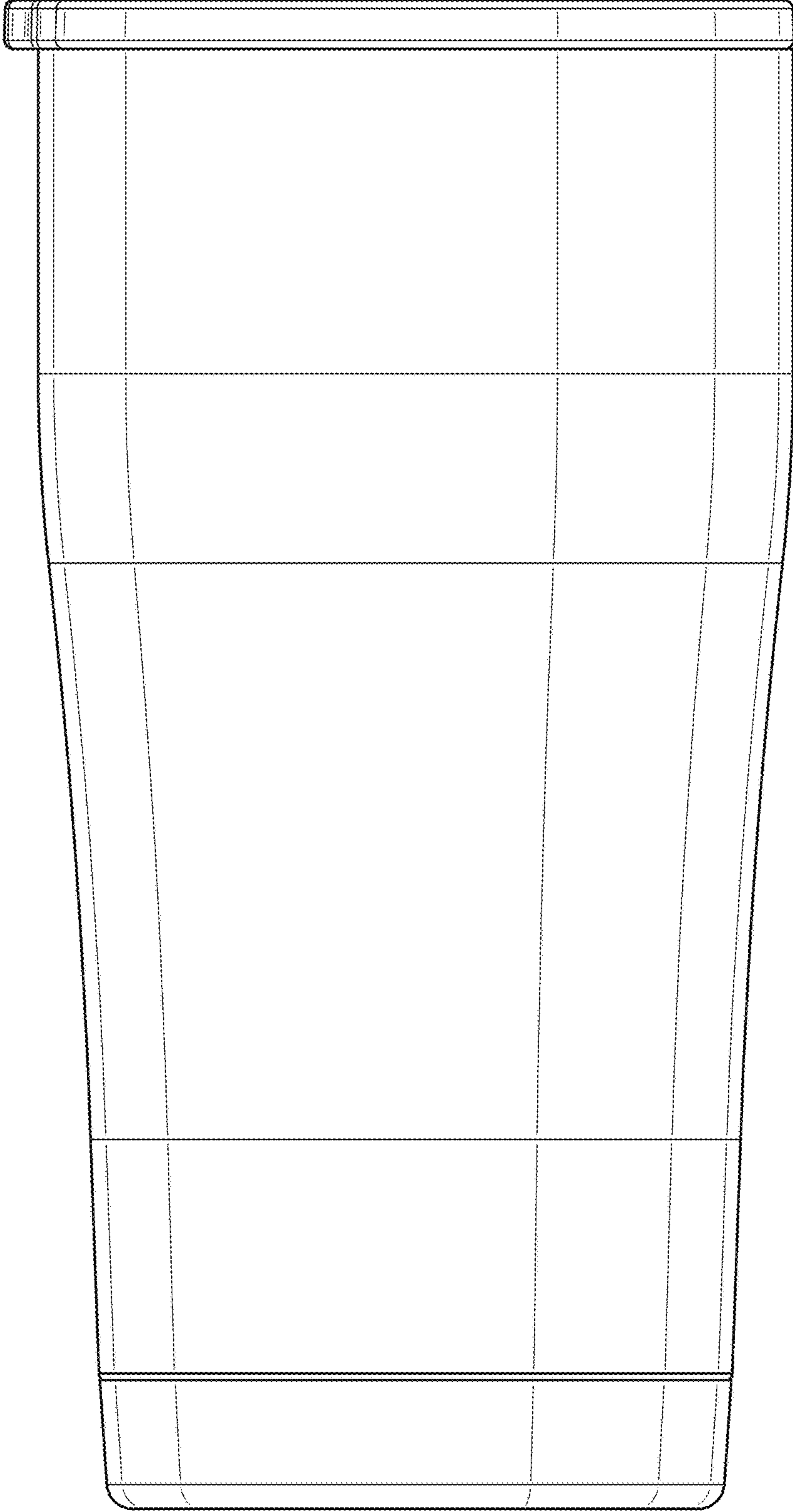


FIG. 5

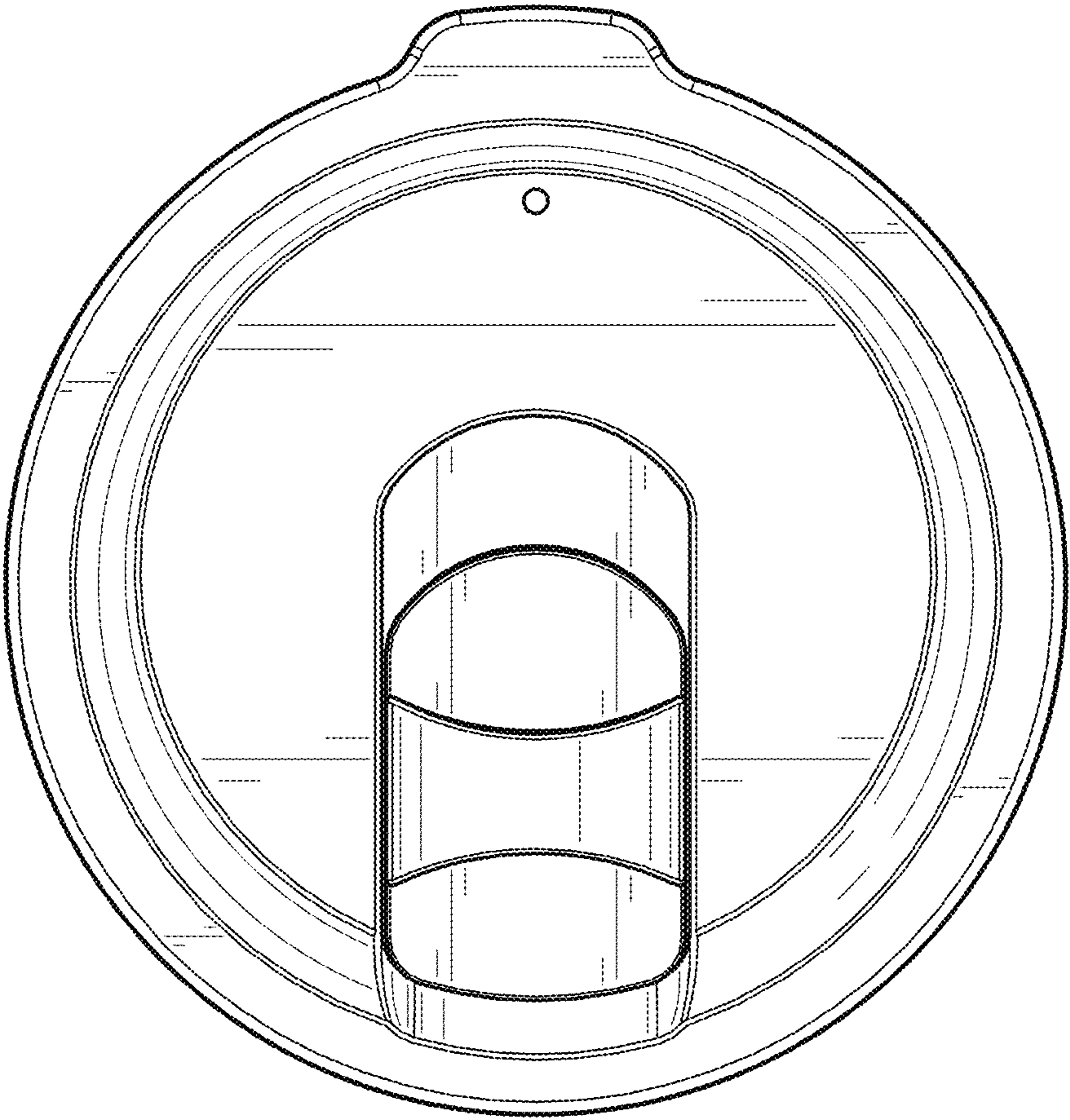


FIG. 6

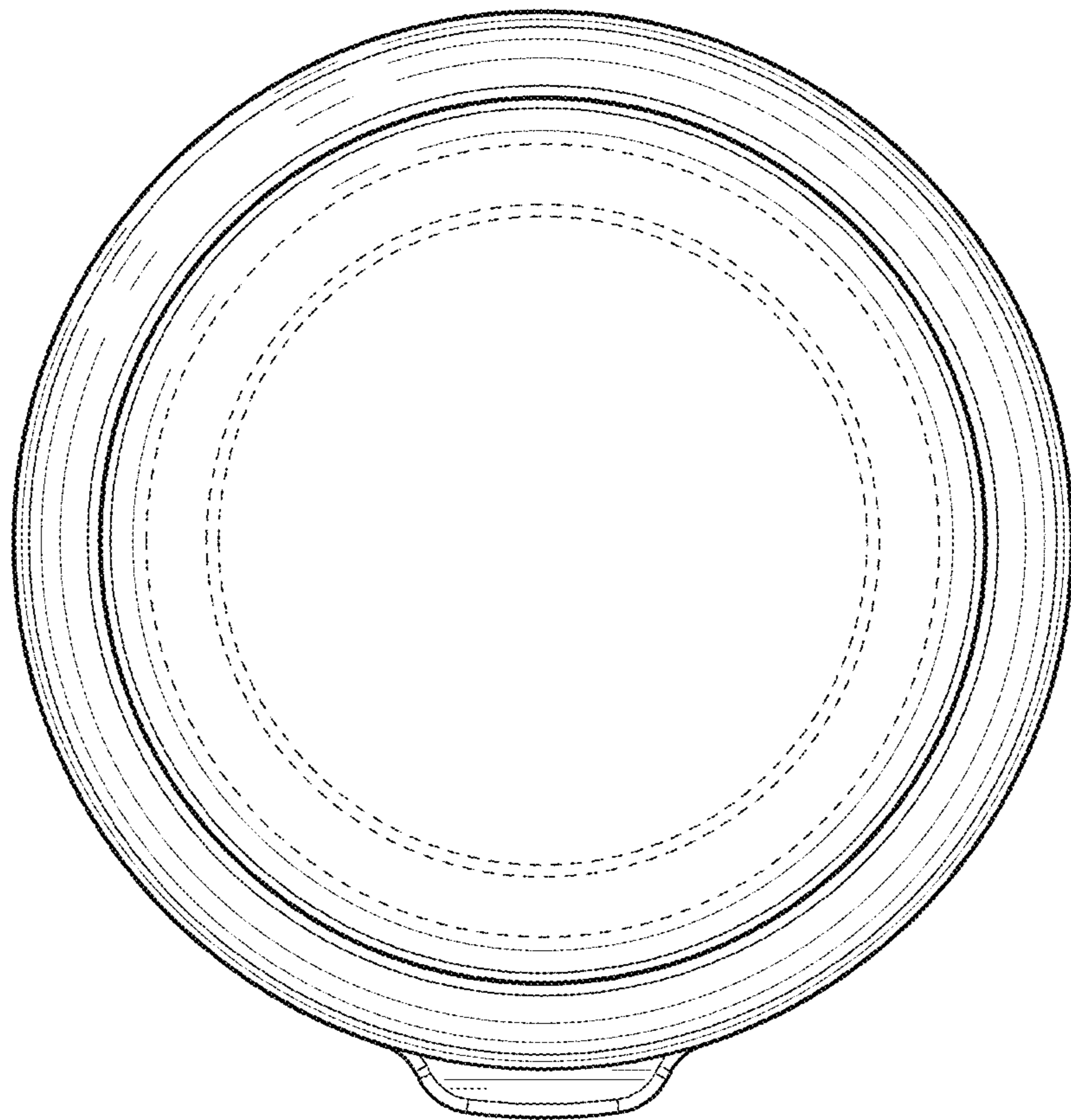


FIG. 7