



US00D811816S

(12) **United States Design Patent**
Bradley

(10) **Patent No.:** **US D811,816 S**
(45) **Date of Patent:** **** Mar. 6, 2018**

(54) **TAP HANDLE**

(71) Applicant: **Islamorada Brewing Company LLC**,
Fort Lauderdale, FL (US)

(72) Inventor: **Tyrone Bradley**, Fort Lauderdale, FL
(US)

(**) Term: **15 Years**

(21) Appl. No.: **29/571,921**

(22) Filed: **Jul. 22, 2016**

(51) **LOC (11) Cl.** **07-01**

(52) **U.S. Cl.**
USPC **D7/398**; D7/397; D7/395; D8/307

(58) **Field of Classification Search**
USPC D7/393, 395, 398, 397, 308, 307;
D23/250; D8/107, 307, 308, 310, 311;
141/362

CPC A63B 5/20; B25F 1/02; D67D 1/1405;
D67D 1/0872

See application file for complete search history.

(56) **References Cited**

U.S. PATENT DOCUMENTS

D271,558 S * 11/1983 Belland D7/395
4,894,647 A * 1/1990 Walden, Jr. B67D 1/06
340/815.45
D354,656 S * 1/1995 Strawbridge D7/395
5,908,142 A * 6/1999 Sacchetti B67D 1/0875
222/192

D666,890 S * 9/2012 Poston D8/307
D669,308 S * 10/2012 Hecht D7/397
D720,568 S * 1/2015 Klein D7/307
D773,244 S * 12/2016 Koski D7/395
2015/0368086 A1* 12/2015 Sacchetti B67D 1/0888
222/192
2017/0043995 A1* 2/2017 Reichelt B67D 1/0855

* cited by examiner

Primary Examiner — Marianne Pandozzi

(74) *Attorney, Agent, or Firm* — Greg M. Popowitz;
Assouline & Berlow, P.A.

(57) **CLAIM**

The ornamental design for a tap handle, as shown and described.

DESCRIPTION

FIG. 1 is a perspective view of a tap handle showing my new design;

FIG. 2 is a front view thereof;

FIG. 3 is a rear view thereof;

FIG. 4 is a left side view thereof;

FIG. 5 is a right side view thereof;

FIG. 6 is a top view thereof;

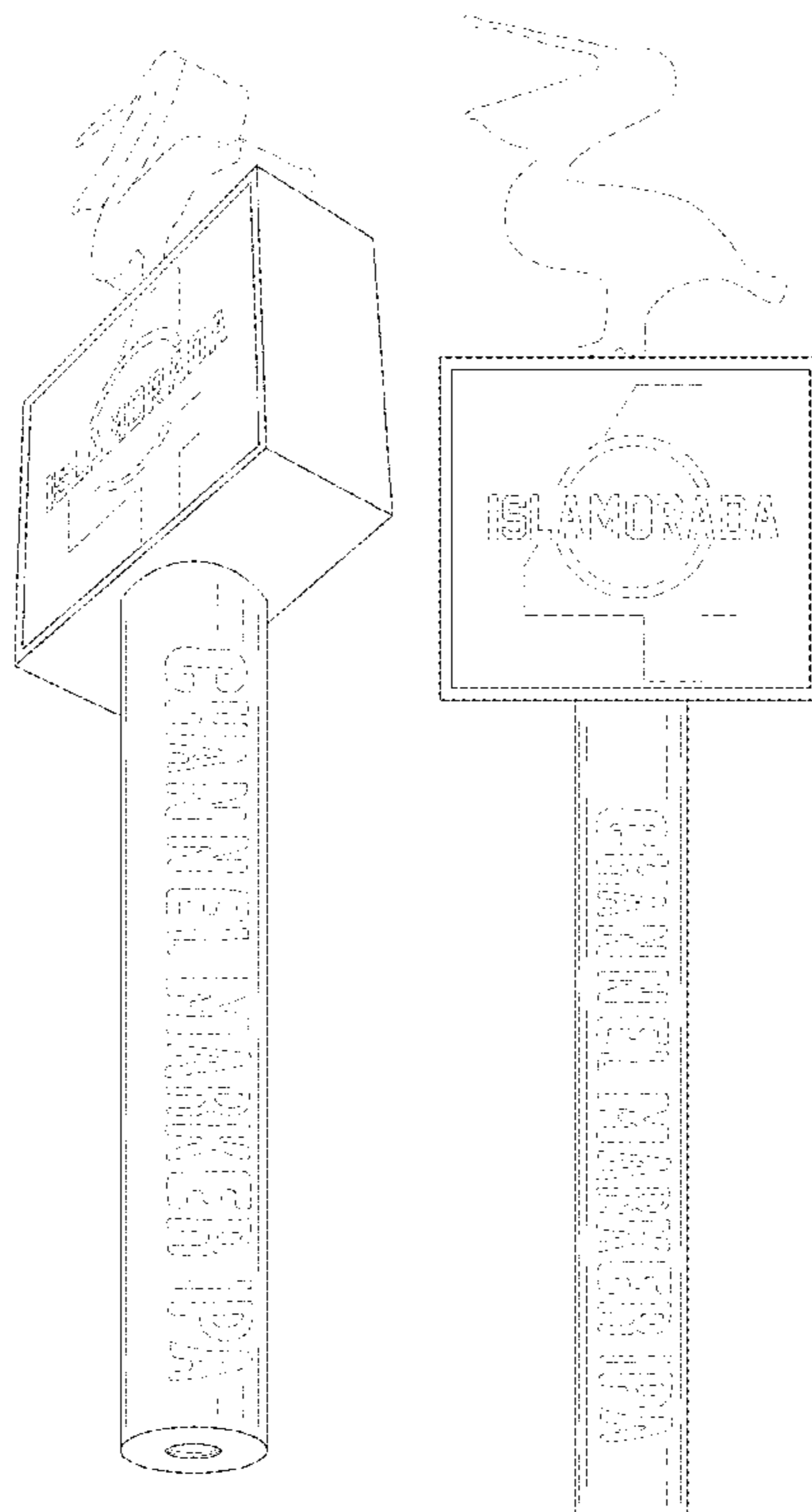
FIG. 7 is a bottom view thereof;

FIG. 8 is a front view thereof with different environmental structure; and,

FIG. 9 is a front view thereof with more different environmental structure.

The broken lines in the drawing depict environmental subject matter only and form no part of the claimed design.

1 Claim, 7 Drawing Sheets



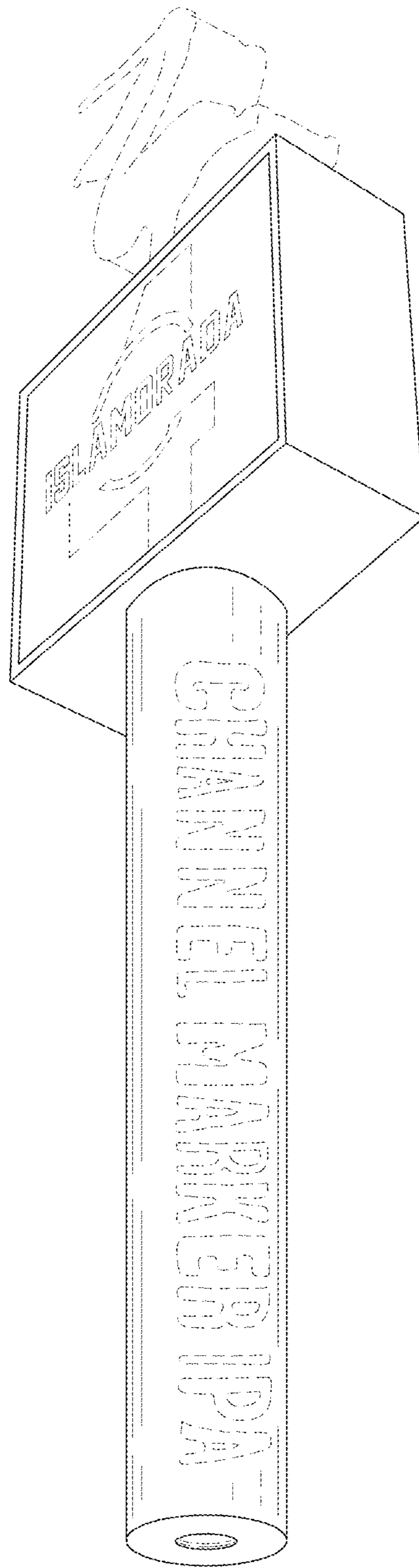


Fig. 1

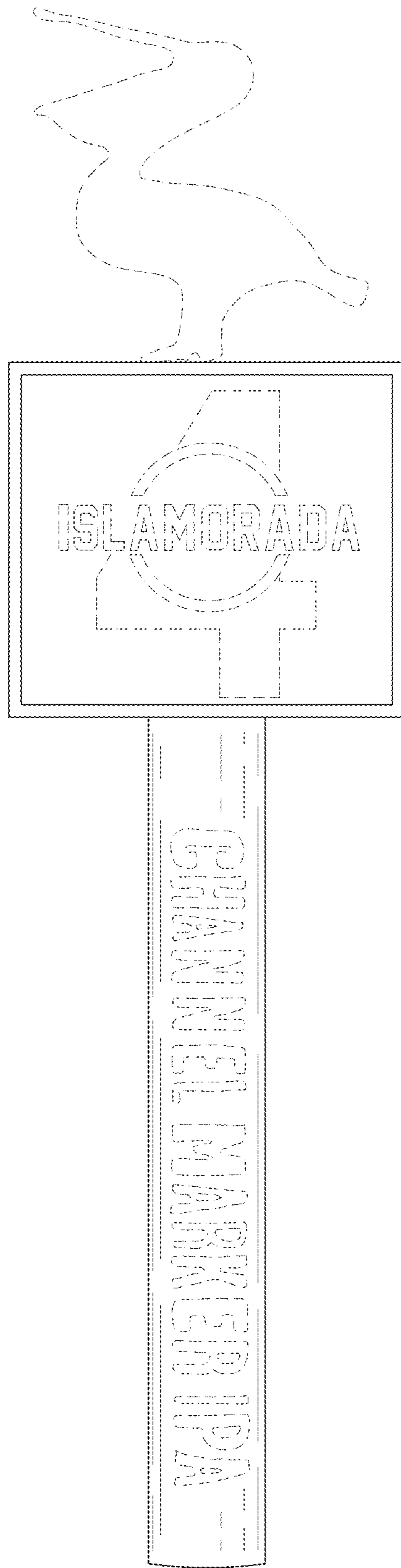


Fig. 2

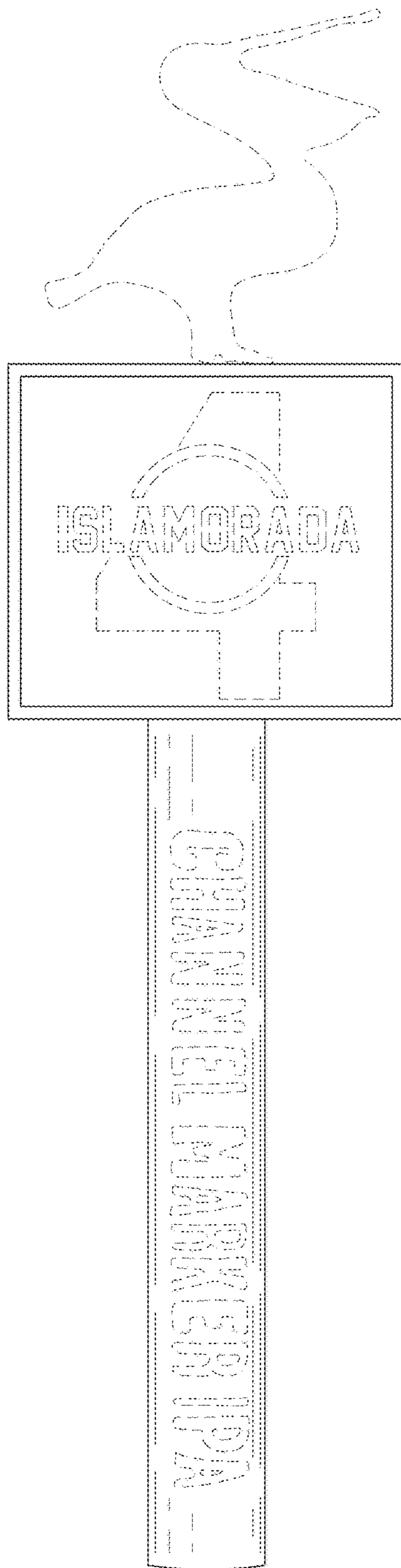


Fig. 3

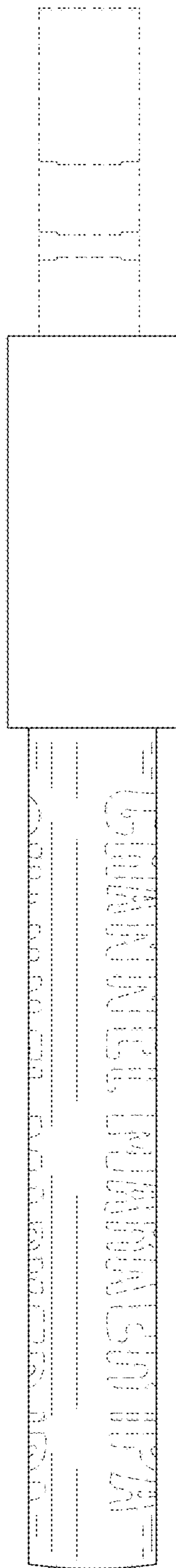


Fig. 4

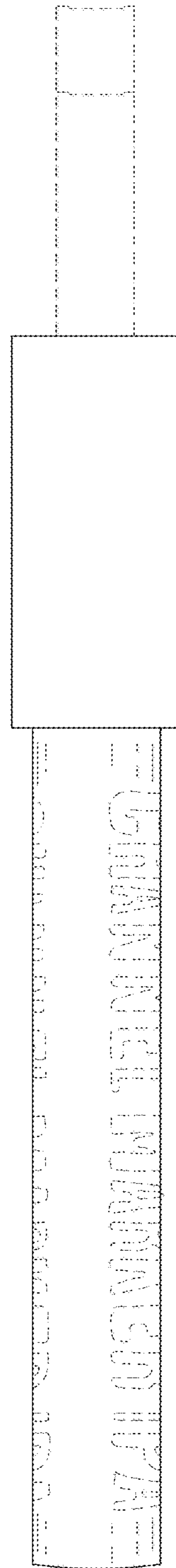


Fig. 5

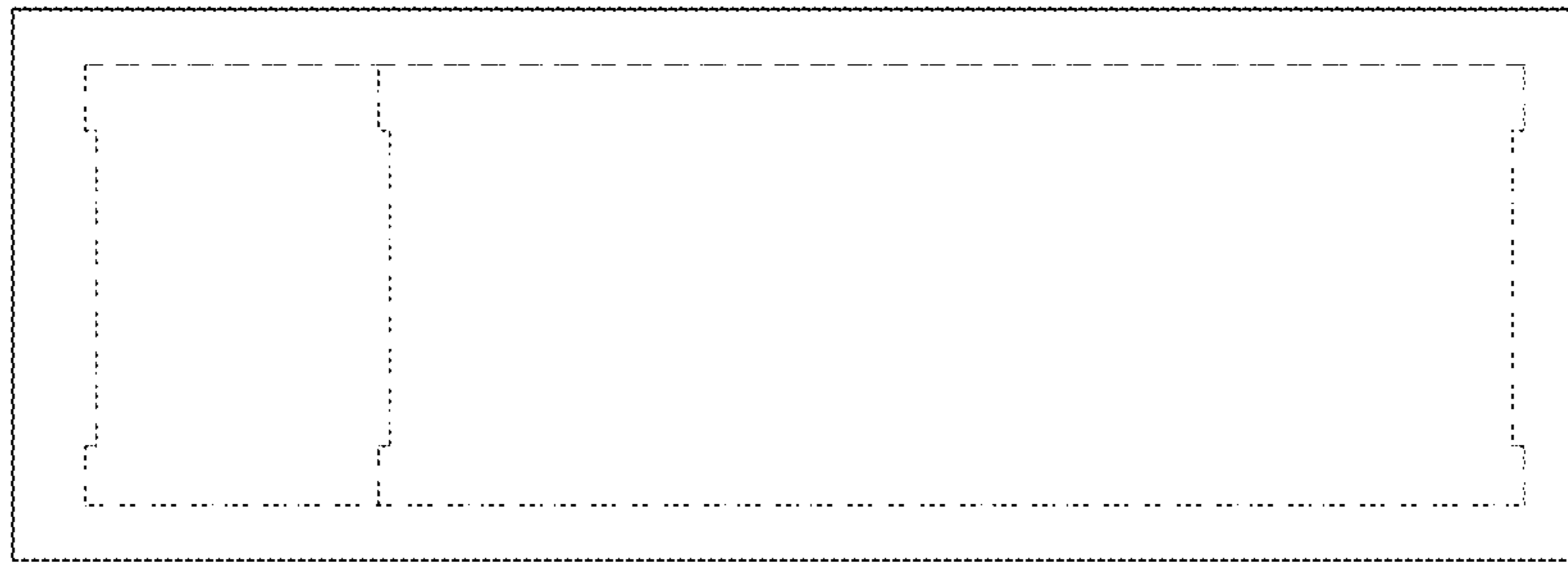


Fig. 6

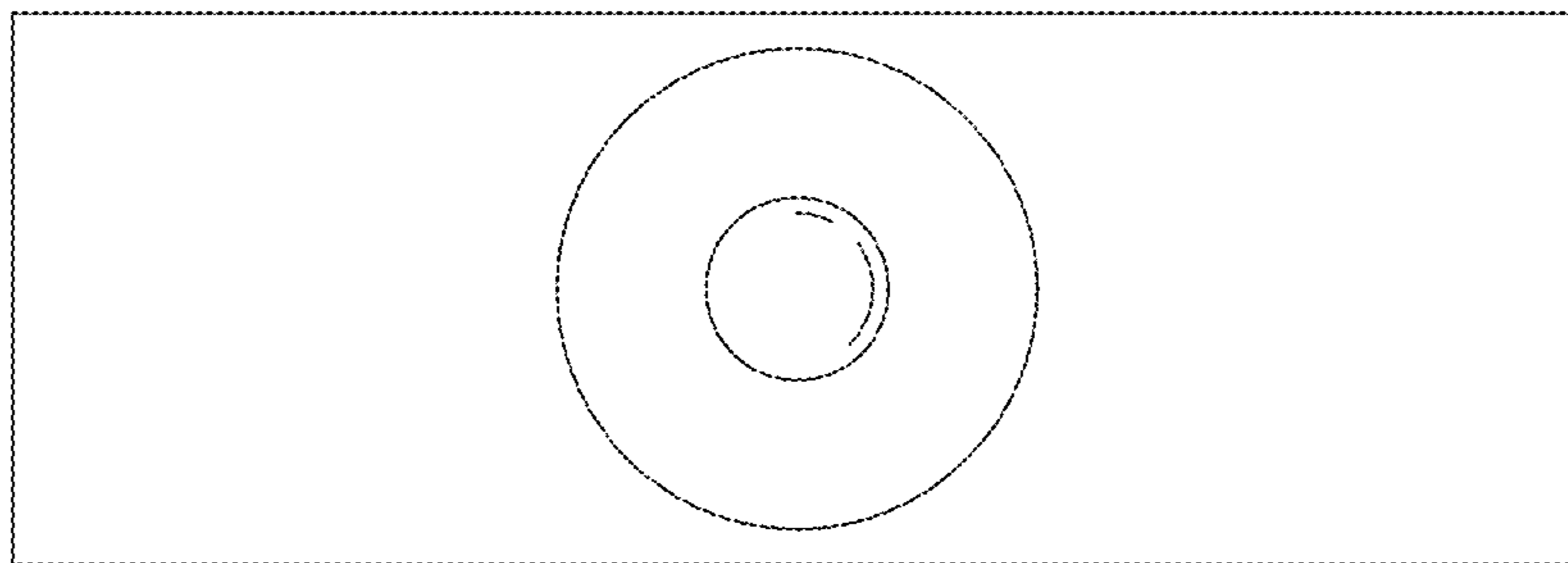


Fig. 7

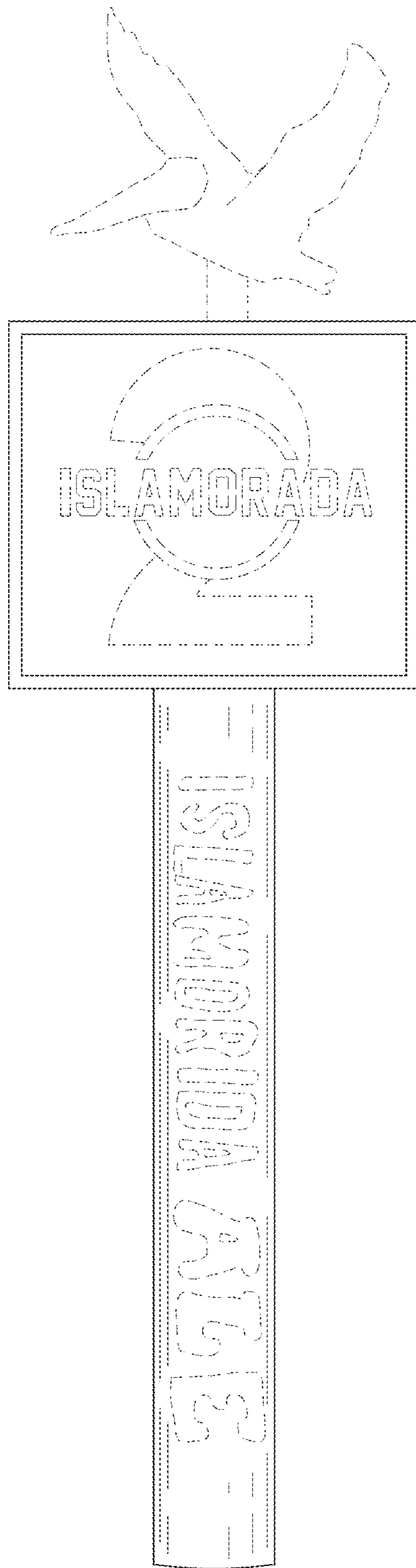


Fig. 8

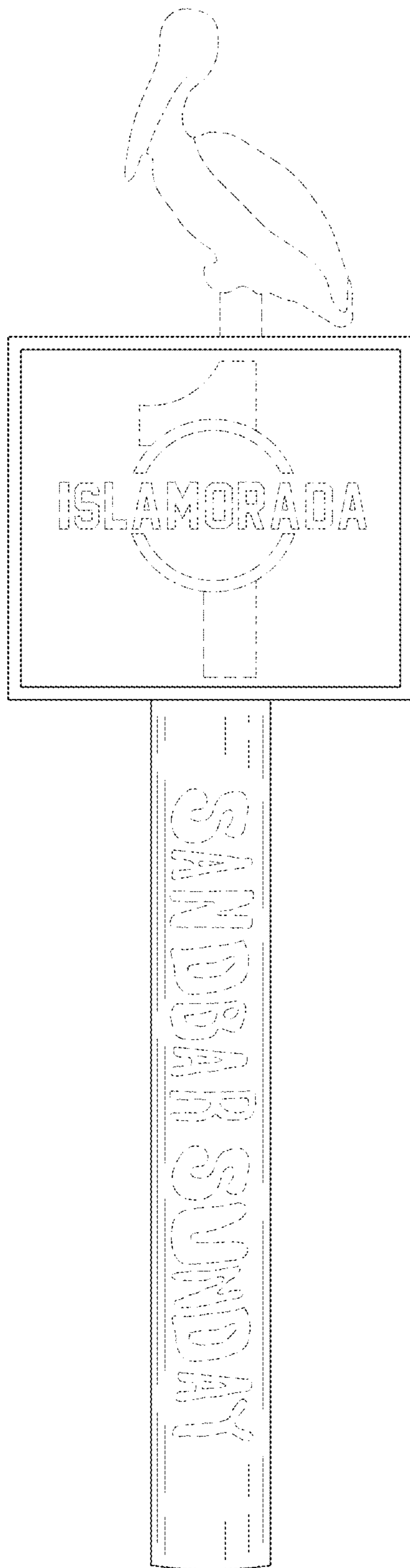


Fig. 9