



US00D811815S

(12) **United States Design Patent**  
**Fletcher**

(10) **Patent No.:** **US D811,815 S**  
(45) **Date of Patent:** **\*\* Mar. 6, 2018**

(54) **DRINKS MACHINE**

D747,144 S \* 1/2016 Sun ..... D7/509

(71) Applicant: **Mars, Incorporated**, McLean, VA (US)

\* cited by examiner

(72) Inventor: **Paul Fletcher**, Hants (GB)

*Primary Examiner* — Daniel D Bui

*Assistant Examiner* — Andrew Kerr

(73) Assignee: **Mars, Incorporated**, McLean, VA (US)

(74) *Attorney, Agent, or Firm* — Greenberg Traurig, LLP

(\*\*) Term: **15 Years**

(57) **CLAIM**

(21) Appl. No.: **29/564,161**

The ornamental design for a drinks machine, as shown and described.

(22) Filed: **May 11, 2016**

**DESCRIPTION**

(30) **Foreign Application Priority Data**

Nov. 13, 2015 (EM) ..... 002859124-0001  
Nov. 13, 2015 (EM) ..... 002859124-0002  
Nov. 13, 2015 (EM) ..... 002859124-0003  
Nov. 13, 2015 (EM) ..... 002859124-0004

FIG. 1 is a first perspective view of a drinks machine showing my new design;

FIG. 2 is a second perspective view of the drinks machine shown in FIG. 1;

FIG. 3 is a front view of the drinks machine shown in FIG. 1;

FIG. 4 is a rear view of the drinks machine shown in FIG. 1;

FIG. 5 is a right side view of the drinks machine shown in FIG. 1, the left side view being a mirror image of the right side view of the drinks machine;

FIG. 6 is a top view of the drinks machine shown in FIG. 1; and,

FIG. 7 is a bottom view of the drinks machine shown in FIG. 1.

The broken lines in the drawing views are included for the purpose of illustrating unclaimed environment only, and forms no part of the claimed design.

(51) **LOC (11) Cl.** ..... **07-99**

(52) **U.S. Cl.**  
USPC ..... **D7/397**

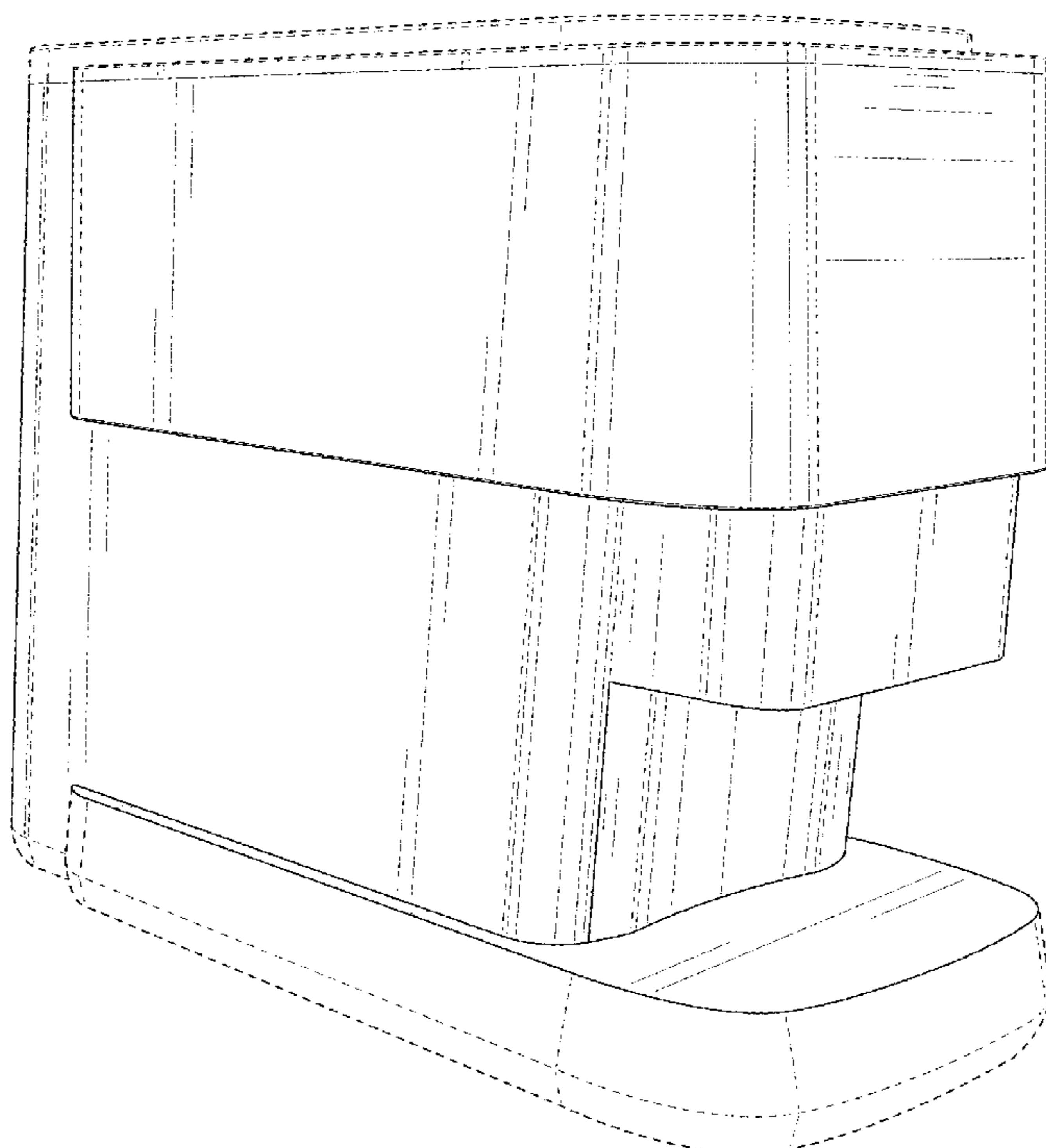
(58) **Field of Classification Search**  
USPC ..... D7/300, 305, 306-311, 313, 397, 399,  
D7/509-511; D20/1  
CPC ..... A47J 31/44; B67D 3/00  
See application file for complete search history.

(56) **References Cited**

**U.S. PATENT DOCUMENTS**

D389,694 S \* 1/1998 Vinson ..... D7/307  
D550,499 S \* 9/2007 Argabrite ..... D7/309  
D702,237 S \* 4/2014 Oberpriller ..... D14/420

**1 Claim, 7 Drawing Sheets**



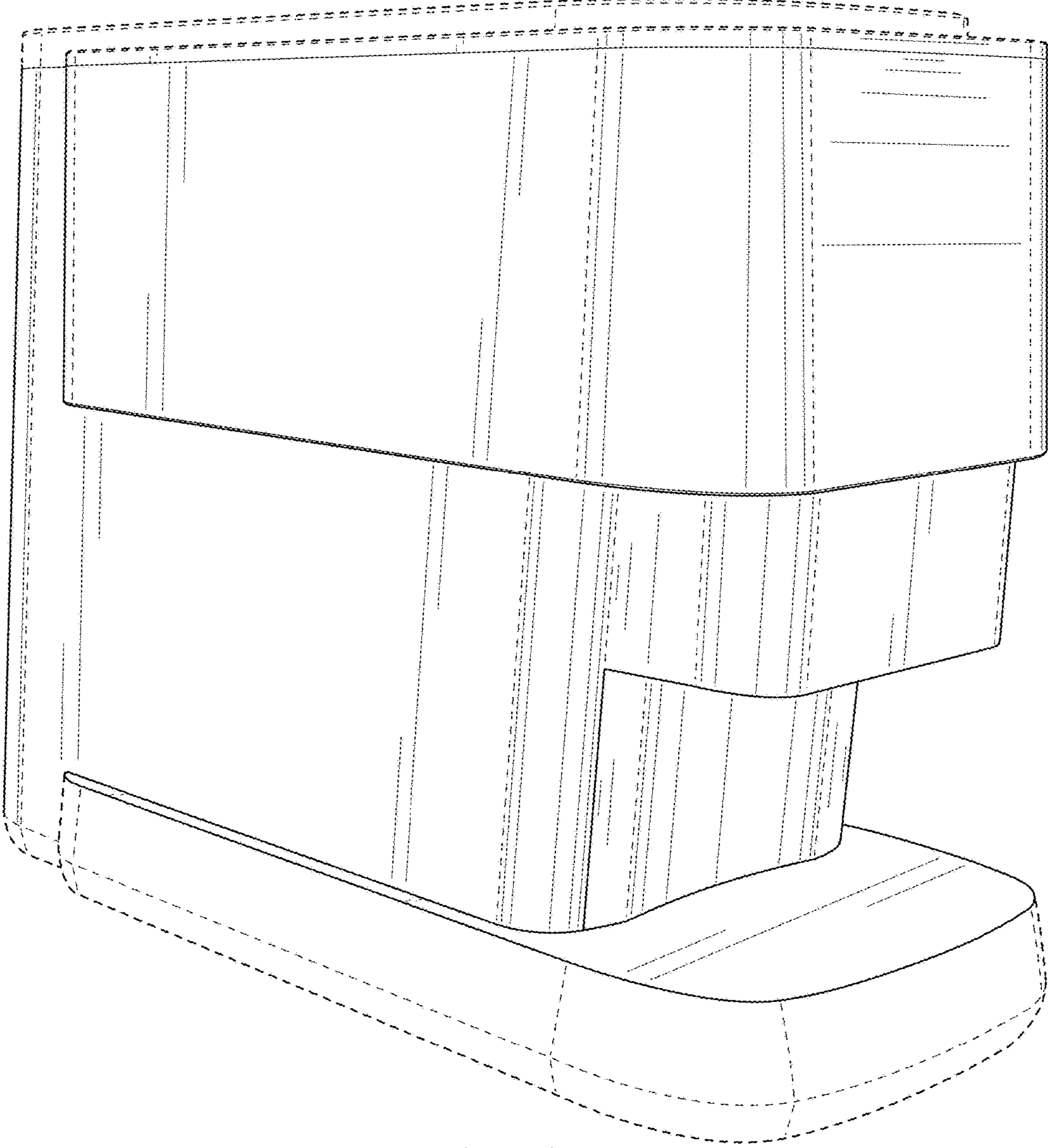


FIG. 1

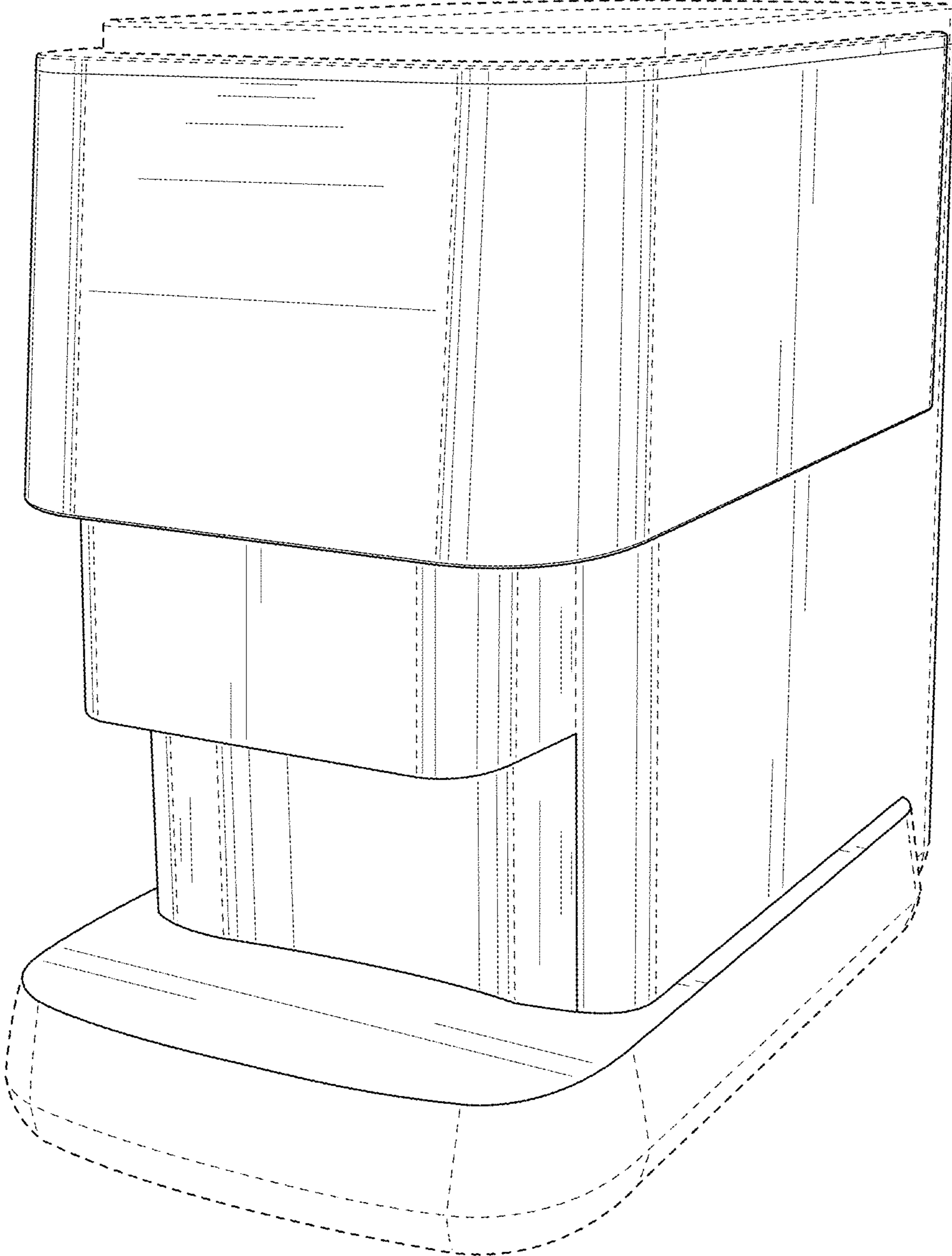


FIG. 2

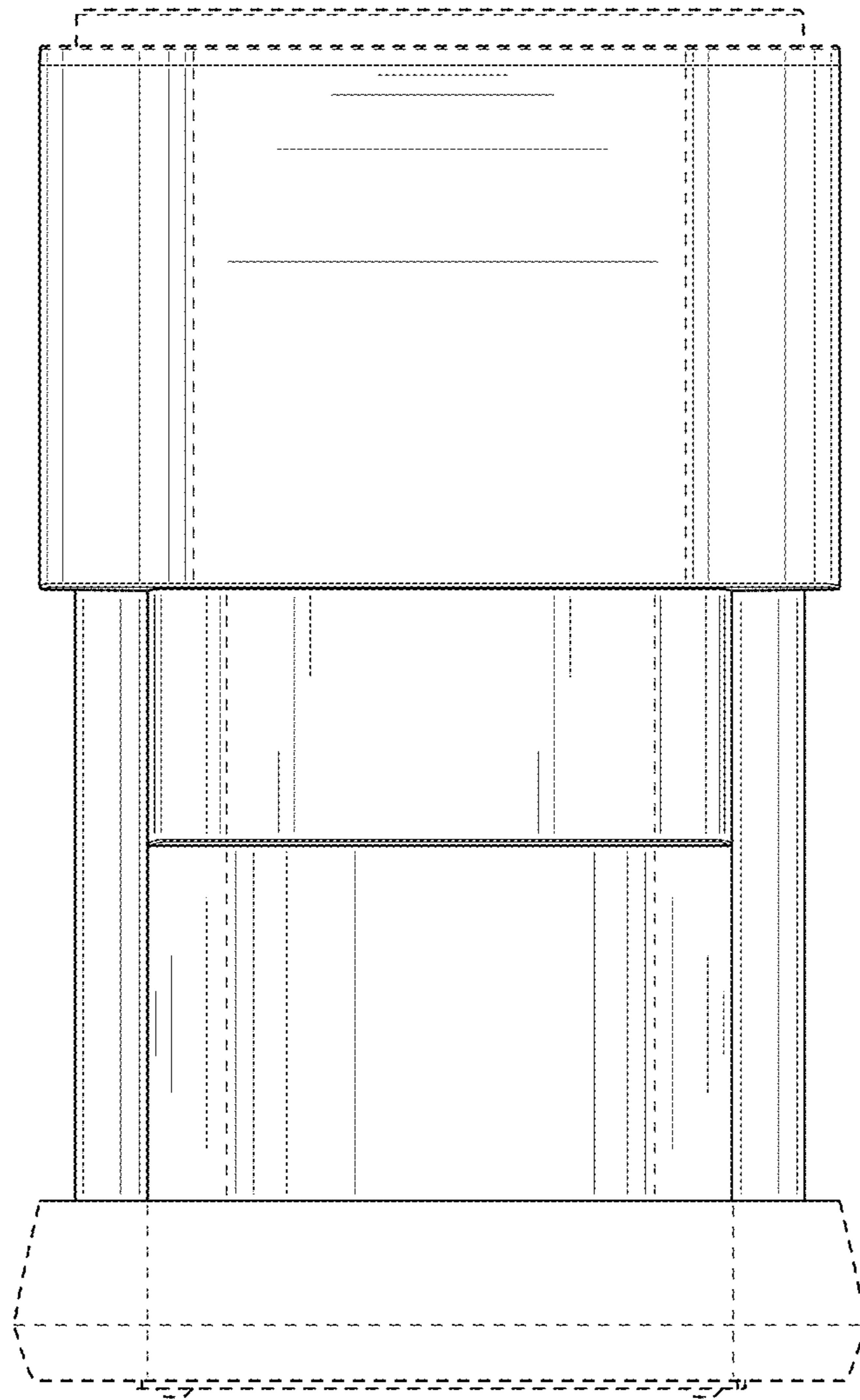


FIG. 3

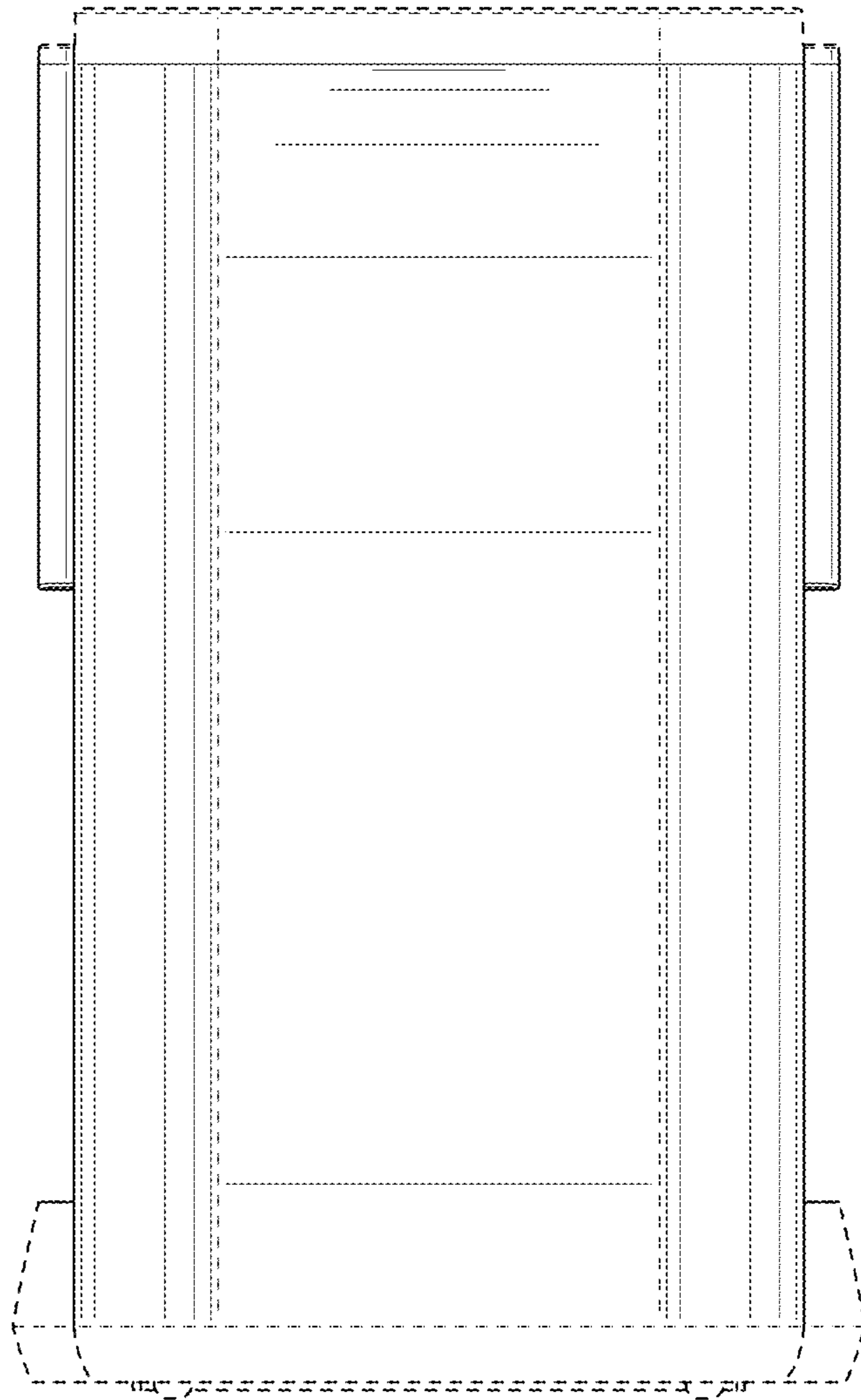


FIG. 4

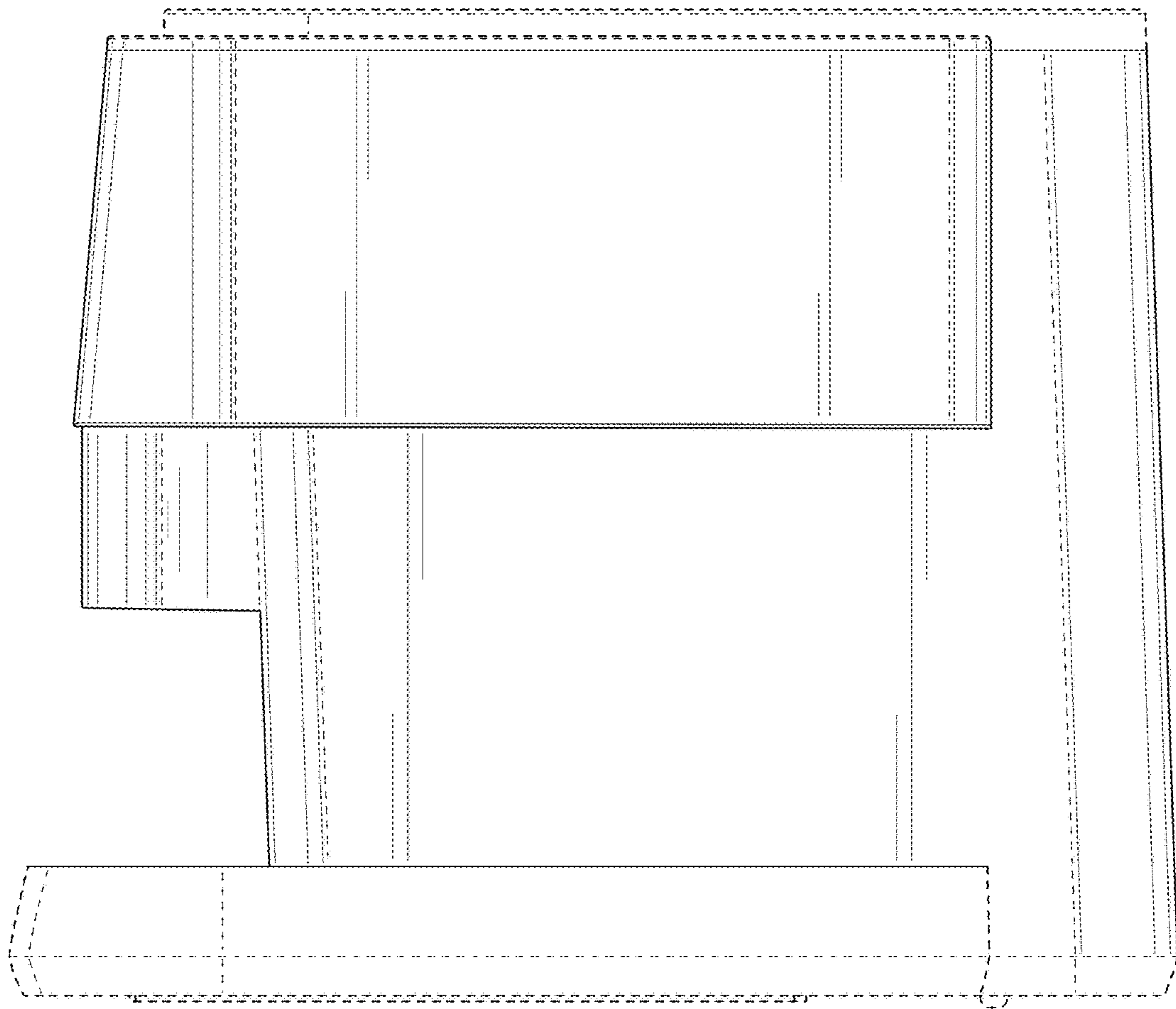


FIG. 5

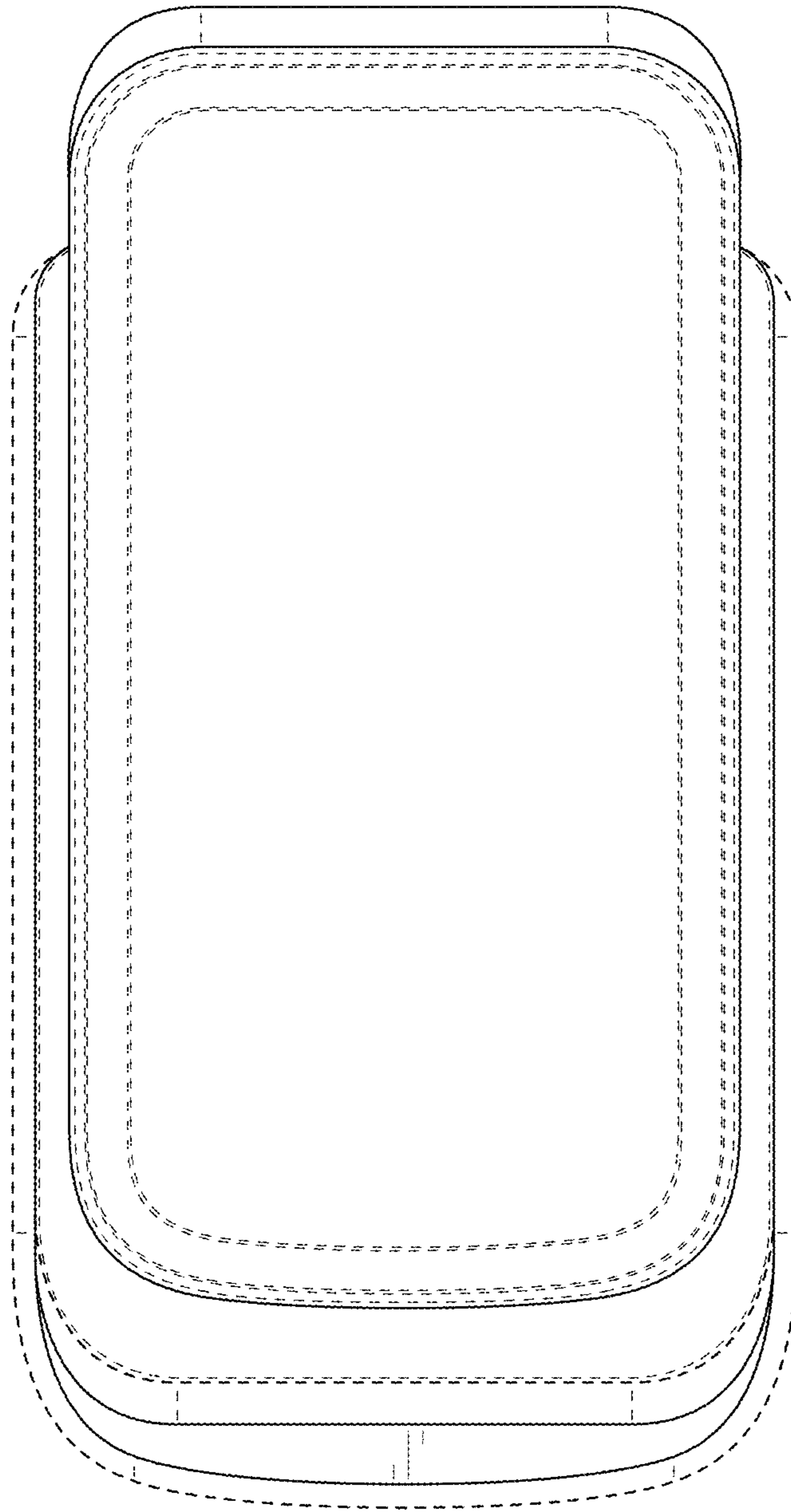


FIG. 6

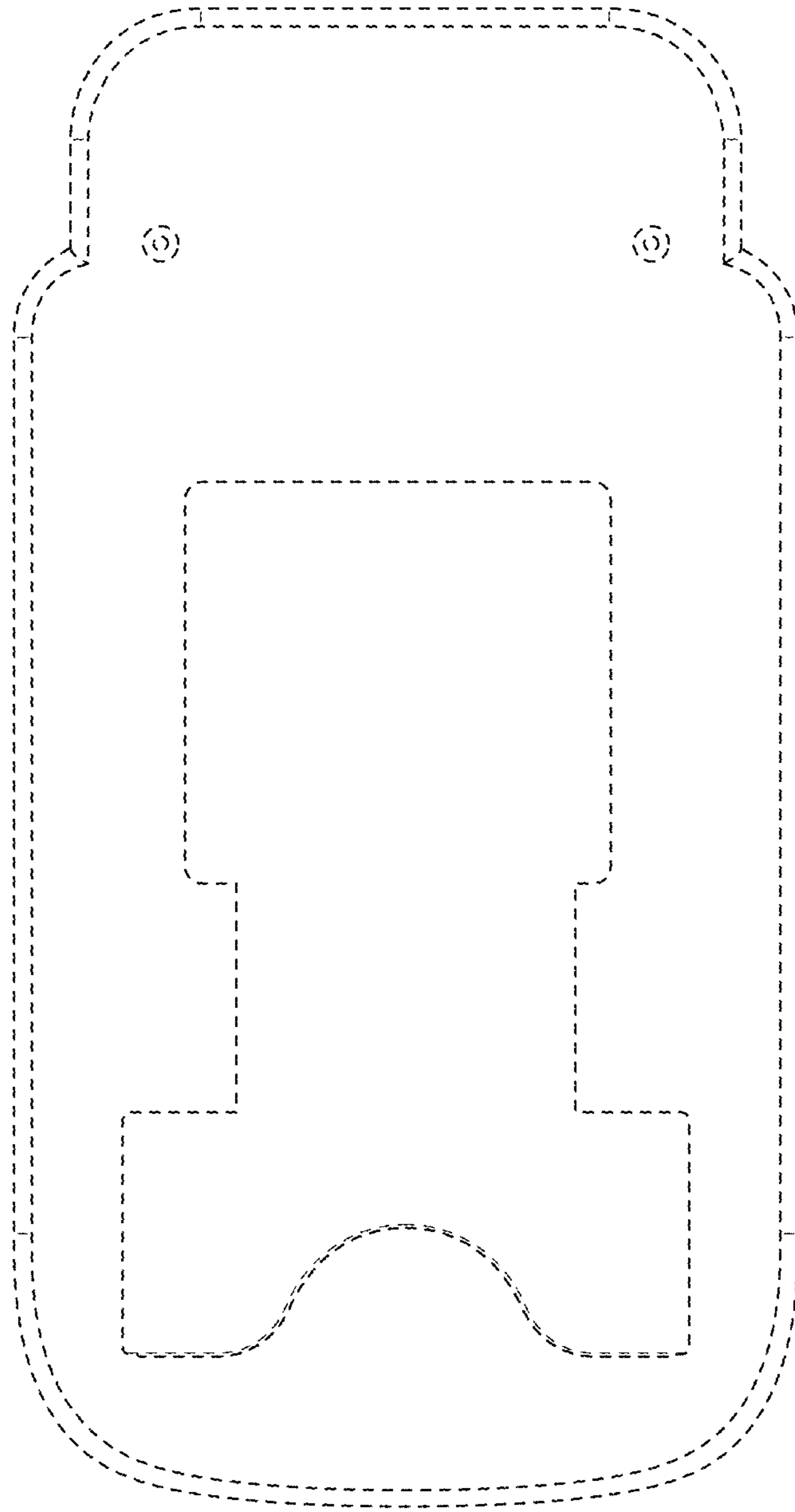


FIG. 7