



US00D811814S

(12) **United States Design Patent**
Plott et al.

(10) **Patent No.:** **US D811,814 S**
(45) **Date of Patent:** **** Mar. 6, 2018**

(54) **BEVERAGE CONTAINER**

(71) Applicant: **Flipsi, Ltd.**, Clay, MI (US)
(72) Inventors: **Jeffrey S. Plott**, Clay, MI (US);
Christopher J. Plott, Dexter, MI (US)

(73) Assignee: **FLIPSI, LTD.**, Clay, MI (US)

(**) Term: **15 Years**

(21) Appl. No.: **29/594,428**

(22) Filed: **Feb. 17, 2017**

Related U.S. Application Data

(62) Division of application No. 29/538,499, filed on Sep. 3, 2015, now Pat. No. Des. 779,882.

(51) **LOC (11) Cl.** **07-01**

(52) **U.S. Cl.**
USPC **D7/396.6; D7/510; D7/529; D7/396.2; D7/511**

(58) **Field of Classification Search**

USPC D7/505, 507, 510, 511, 529, 533, 536, D7/300.1, 589, 591, 608, 396.2, 392.1, D7/900, 523, 558, 396.6; D9/434, 435, D9/442, 447, 449, 526, 517; 220/592.16, 220/592.17, 495.03, 509, 62.12, 703, 705; 215/388, 387; D10/46.2; D24/197; D11/143, 144; D30/129
CPC A47J 43/27; A47J 31/002; A47J 31/005; A47J 43/0722; B01F 13/0022; B01F 15/00512; B01F 15/00564; B01F 11/0005; B01F 2215/0022; A23G 9/52
See application file for complete search history.

(56) **References Cited**

U.S. PATENT DOCUMENTS

D140,658 S * 3/1945 Erbe D7/523
3,760,972 A 9/1973 McKirnan

D260,078 S 8/1981 Casoni
D302,403 S * 7/1989 Heras D11/143
D364,358 S * 11/1995 Bransky D11/143
D379,429 S 5/1997 Weiss
6,053,363 A 4/2000 Revenu
6,332,704 B1 12/2001 Gasser
6,644,846 B2 11/2003 Willat
D501,361 S 2/2005 Tollman
D511,458 S * 11/2005 Dunwoody D9/500
D528,863 S * 9/2006 Hayes D7/523
D538,939 S 3/2007 Conaway
D548,587 S * 8/2007 Duval D30/129
D552,422 S * 10/2007 Dretzka D7/509
D556,568 S * 12/2007 Duval D30/129
D582,724 S * 12/2008 Dretzka D7/509
D601,429 S 10/2009 Handy
D608,589 S 1/2010 Ingman

(Continued)

Primary Examiner — Marianne Pandozzi

Assistant Examiner — Jae Liang

(74) *Attorney, Agent, or Firm* — Foley & Lardner LLP

(57) **CLAIM**

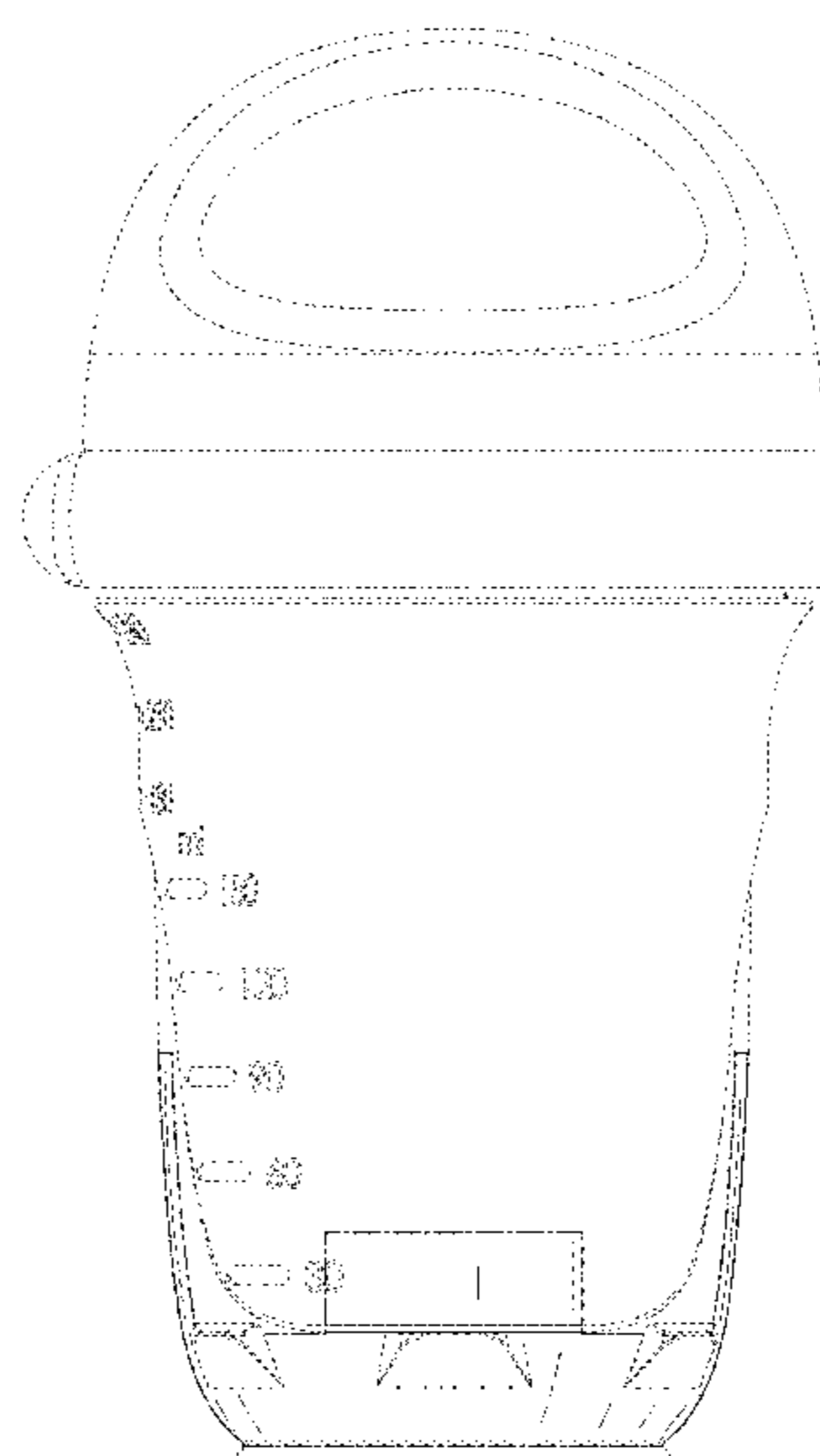
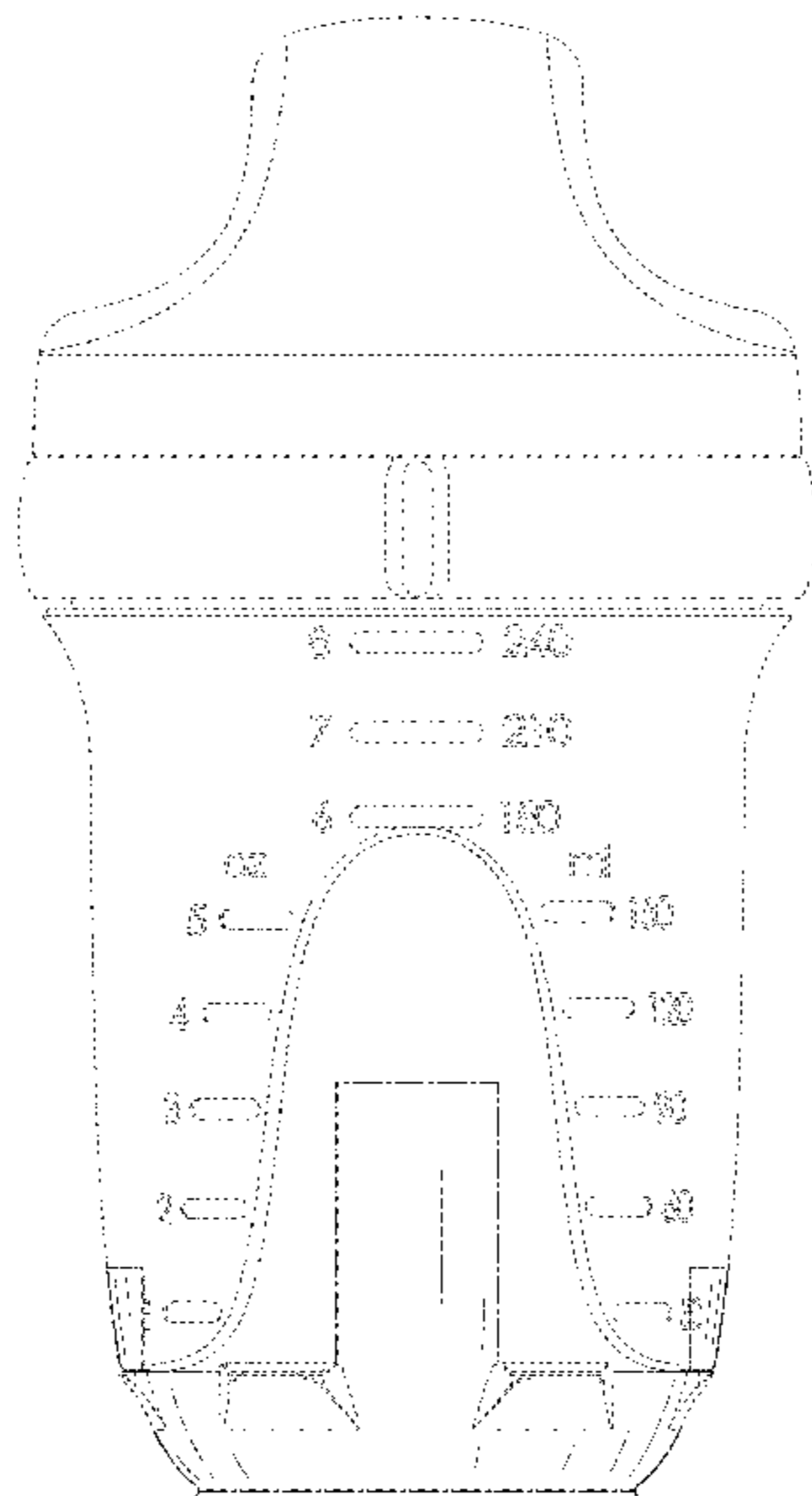
We claim the ornamental design for a beverage container, as shown and described.

DESCRIPTION

FIG. 1 is a top, front, right perspective view of a beverage container showing our new design;
FIG. 2 is a front elevational view thereof;
FIG. 3 is a rear elevational view thereof;
FIG. 4 is a right side elevational view thereof;
FIG. 5 is a left side elevational view thereof;
FIG. 6 is a top plan view thereof; and,
FIG. 7 is a bottom plan view thereof.

The broken lines in the drawings depict portions of the beverage container that form no part of the claimed design. The dash-dot lines in the drawings depict bounds of the claimed design that form no part of the claimed design.

1 Claim, 7 Drawing Sheets



(56)

References Cited

U.S. PATENT DOCUMENTS

D615,356 S *	5/2010	Hillebrenner	D7/509
D620,791 S *	8/2010	Grajcar	D9/428
D644,334 S	8/2011	Py	
D655,618 S	3/2012	Oates	
D663,038 S	7/2012	Enghard	
D686,740 S	7/2013	Boonprasop	
D692,765 S	11/2013	Oates	
D692,766 S	11/2013	Oates	
D727,090 S *	4/2015	St. Jacques	D7/387
D730,694 S	6/2015	Elsaden	
D740,072 S *	10/2015	Eyal	D7/509
D753,482 S	4/2016	Serrano	
D755,016 S *	5/2016	Valderrama	D7/523

* cited by examiner

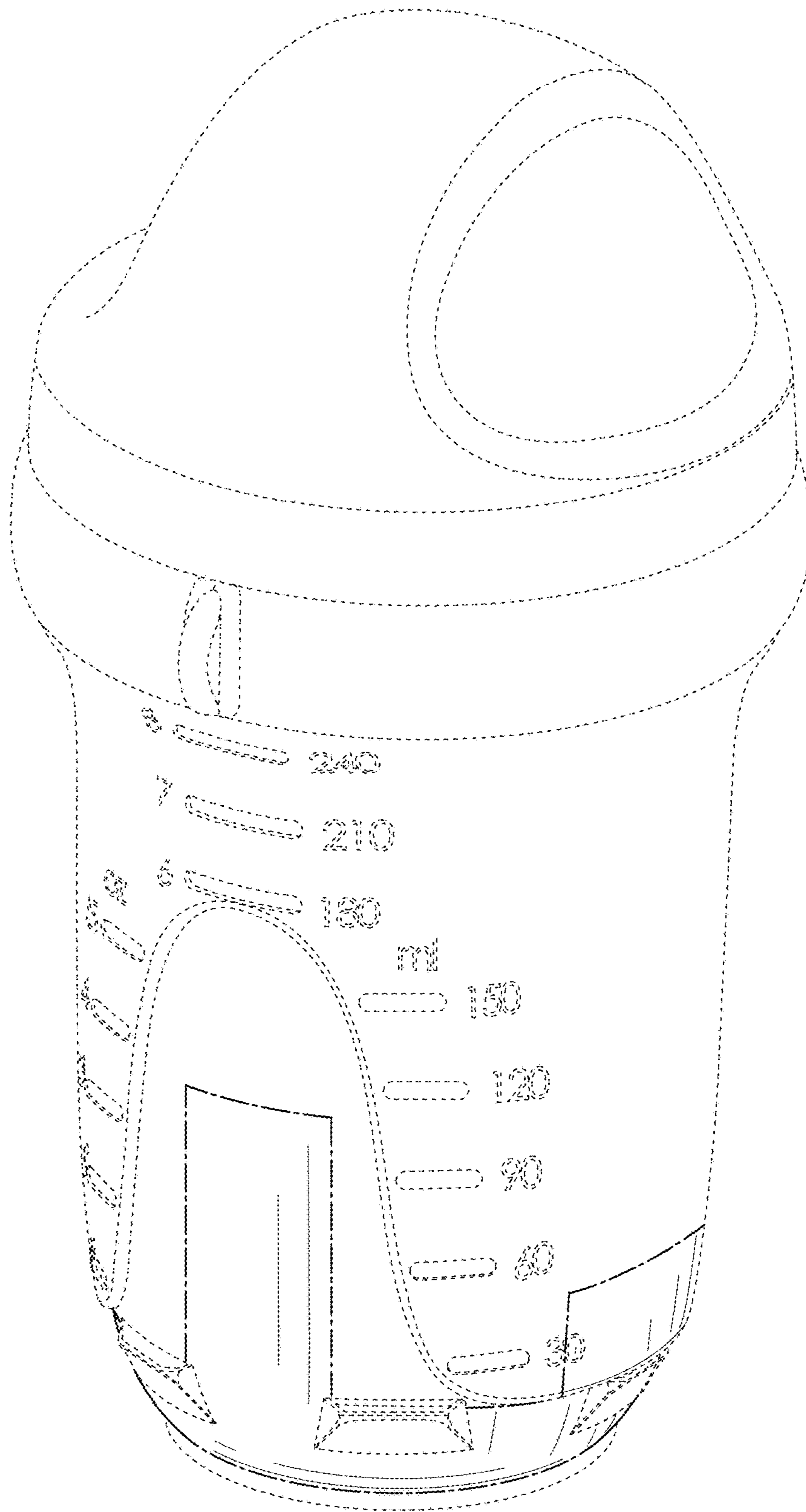


FIG. 1

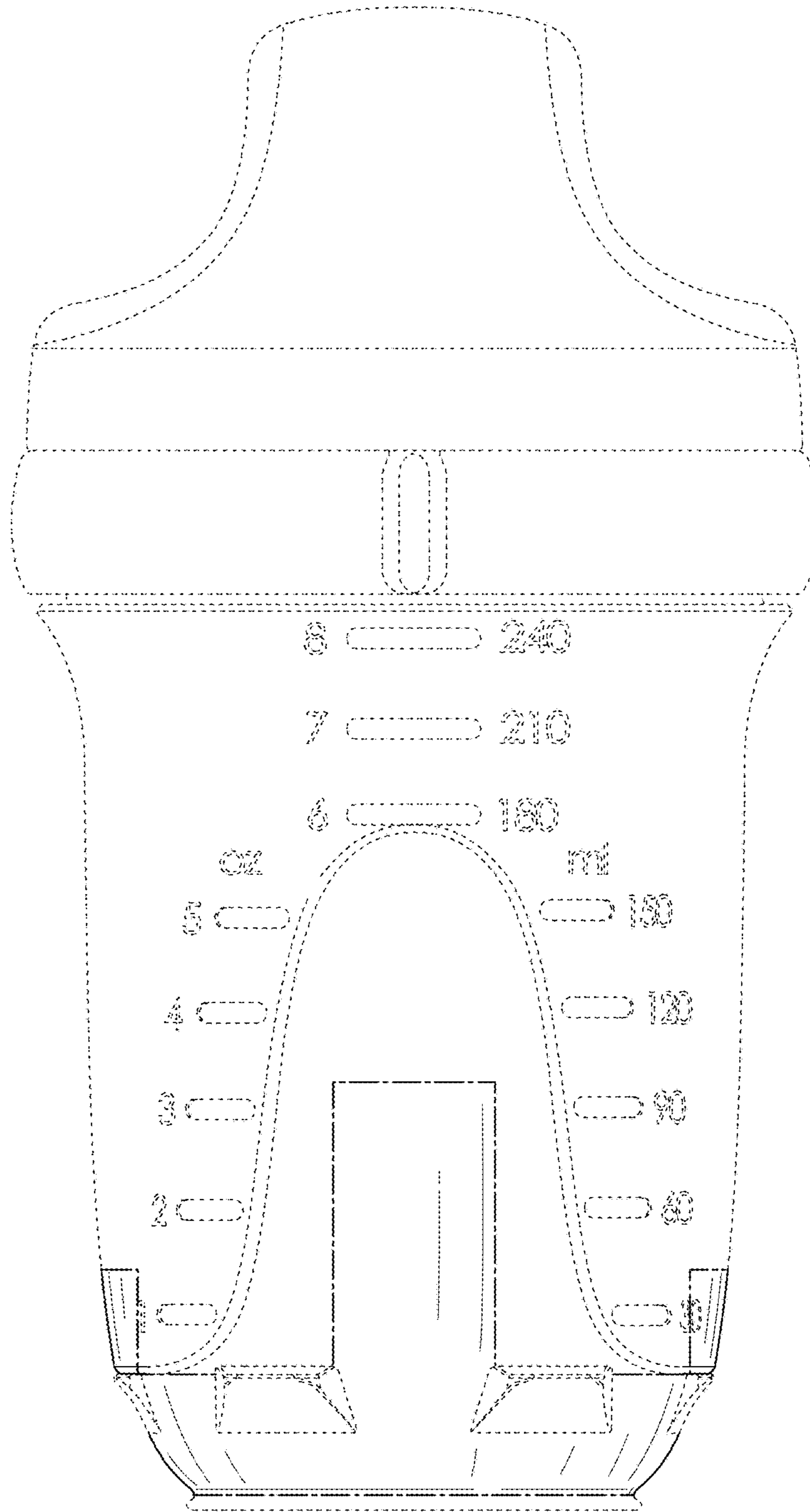


FIG. 2

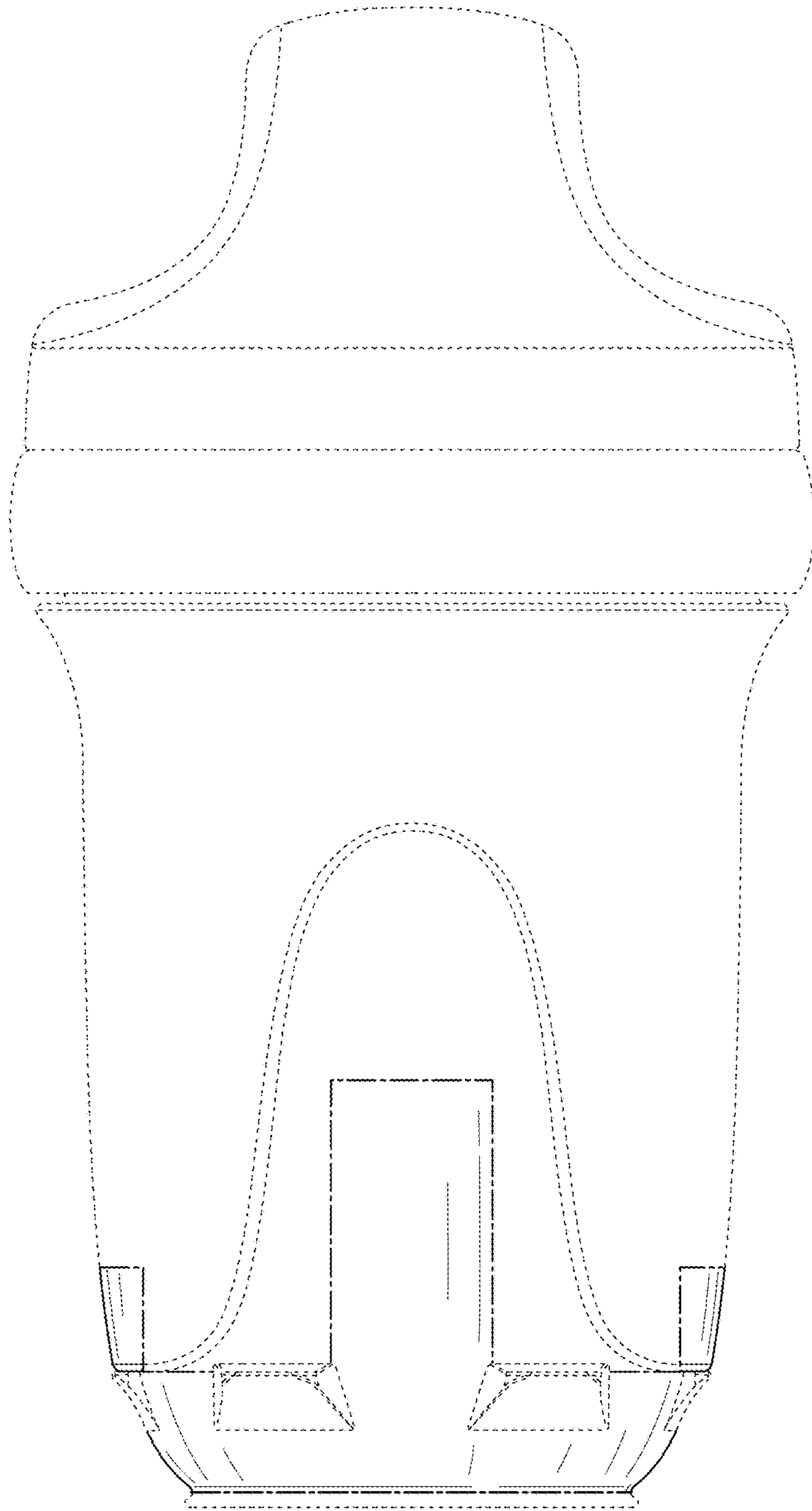


FIG. 3

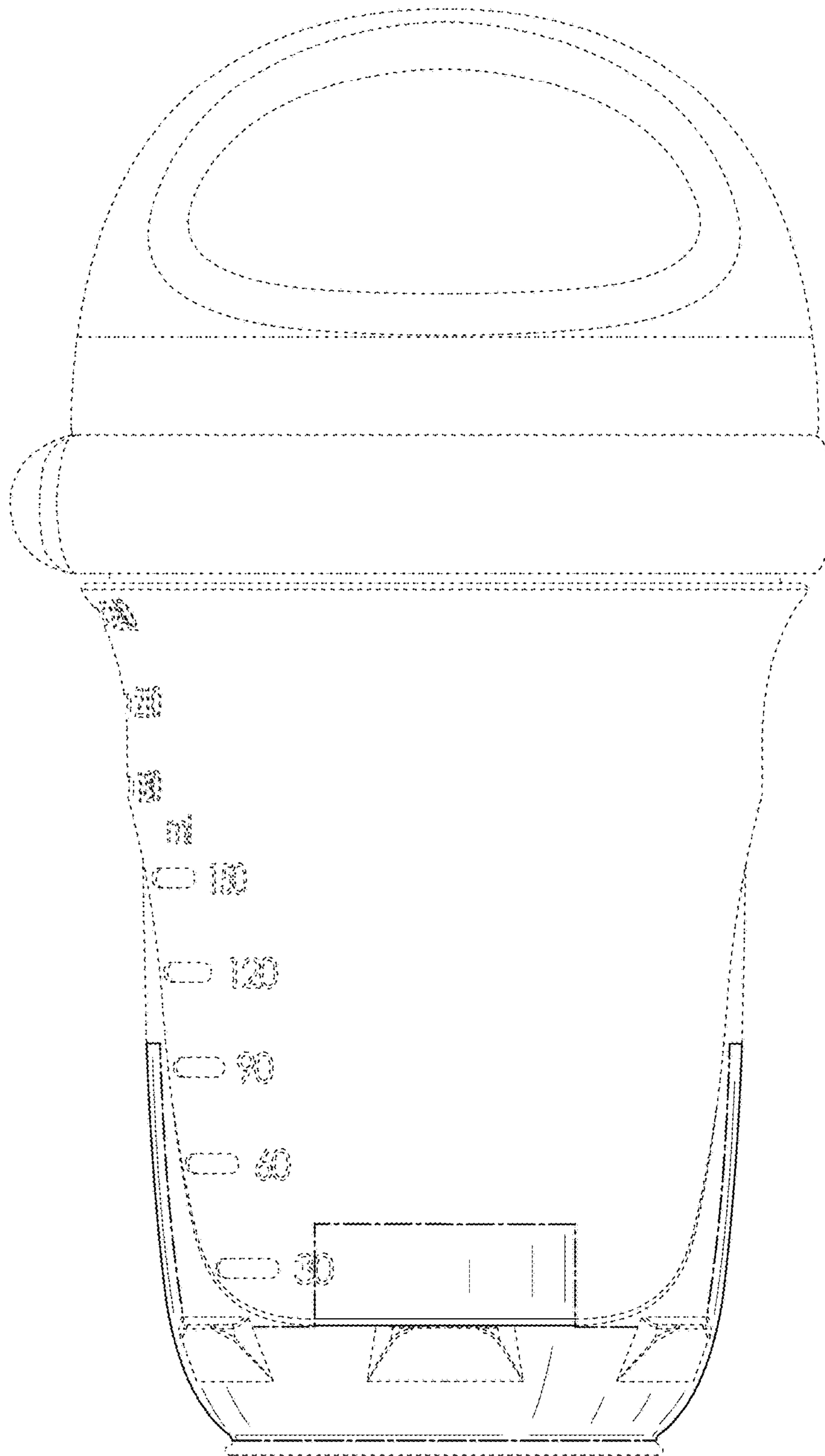


FIG. 4

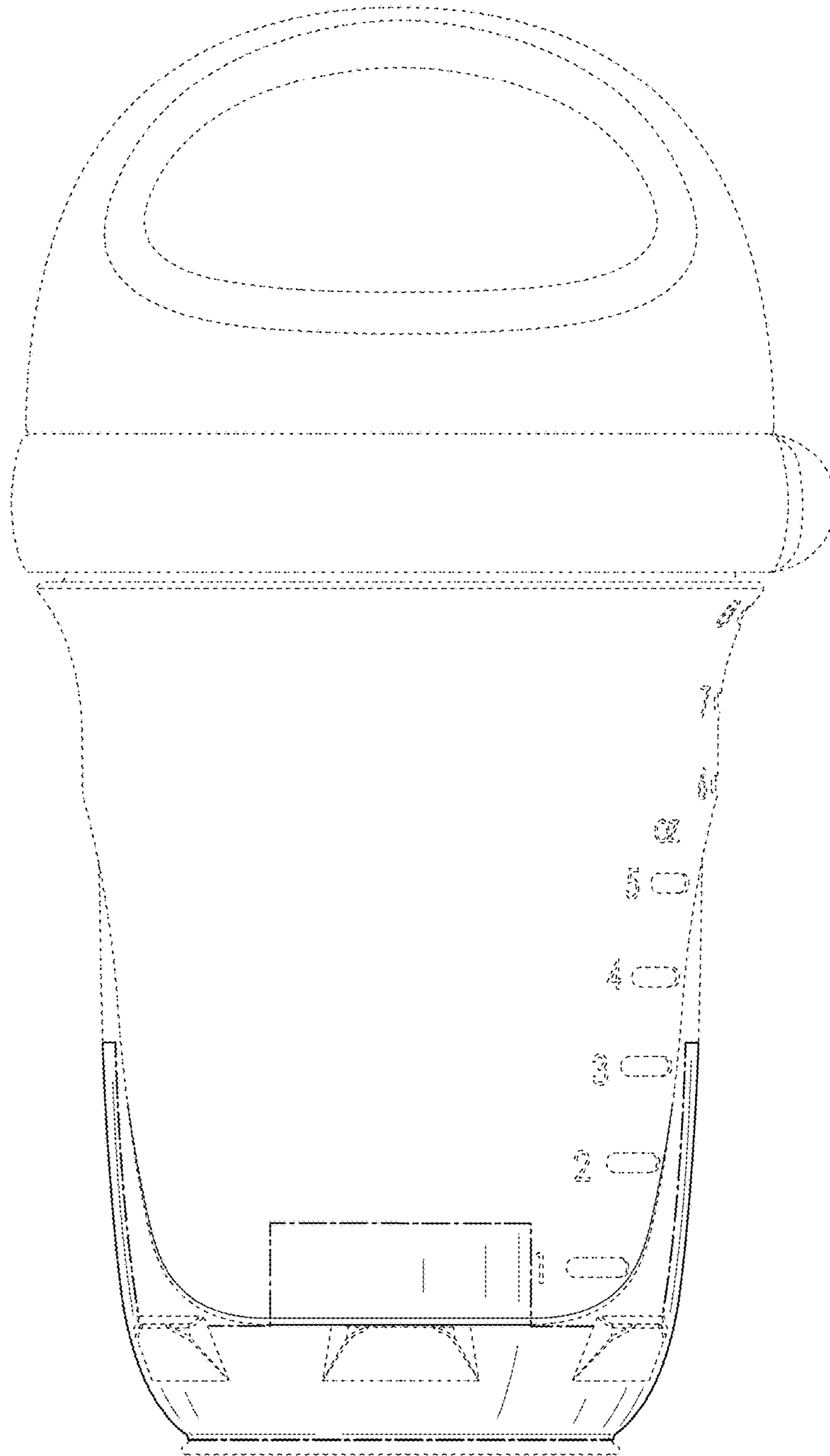


FIG. 5

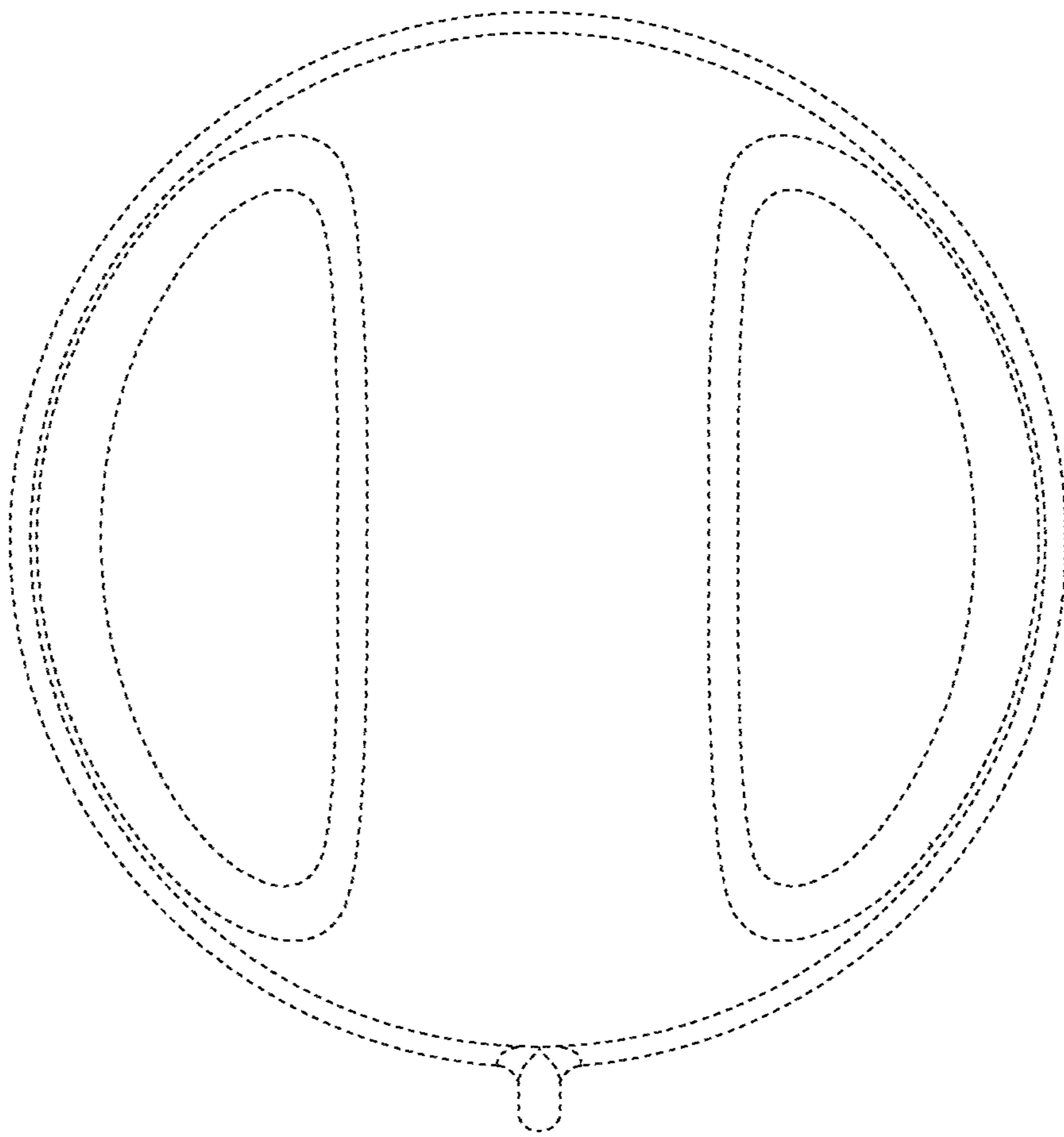


FIG. 6

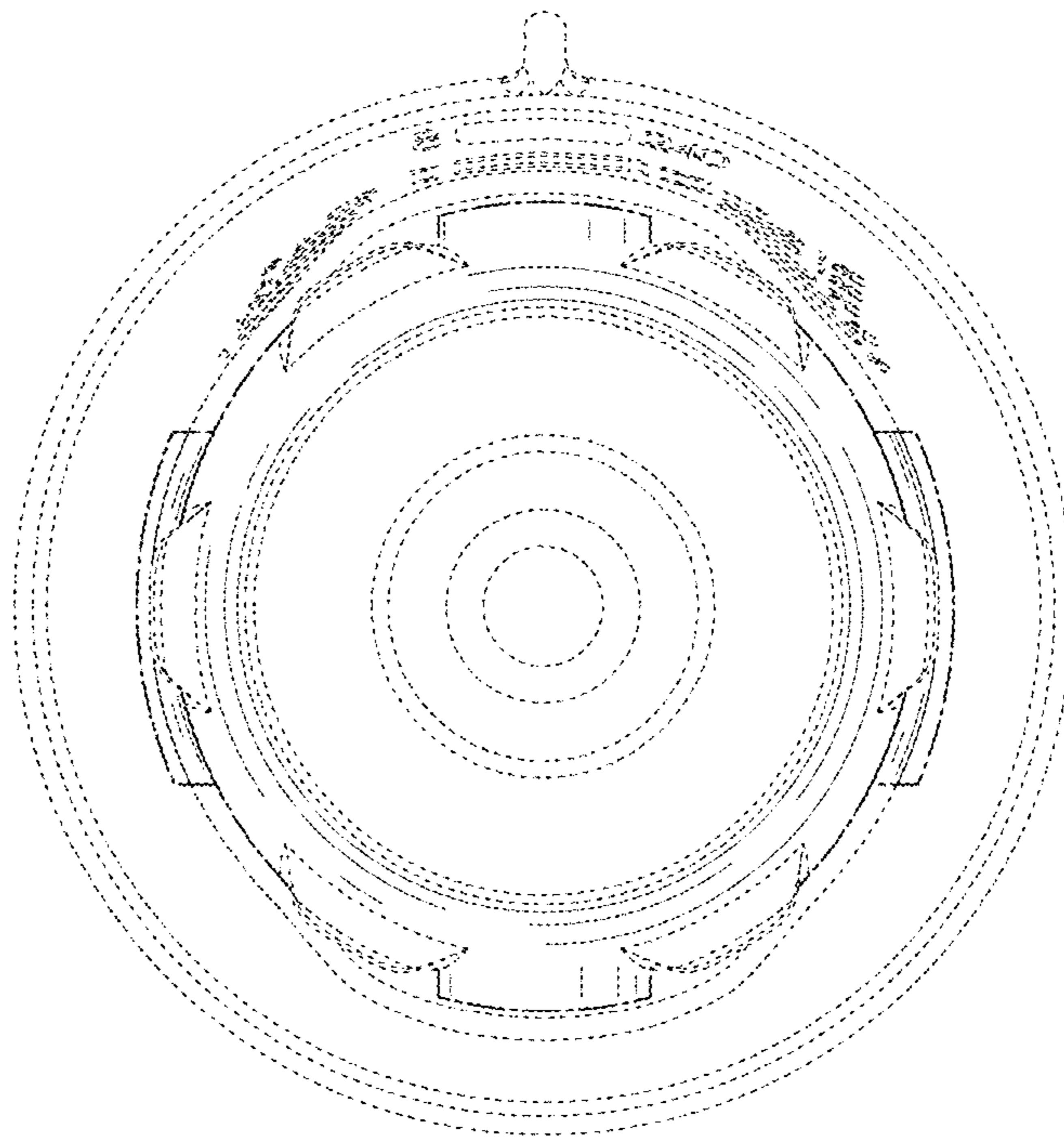


FIG. 7