



US00D811811S

(12) **United States Design Patent**  
**Wachter et al.**

(10) **Patent No.:** **US D811,811 S**  
(45) **Date of Patent:** **\*\* Mar. 6, 2018**

(54) **COVER FOR DRINKING CONTAINER**

(71) Applicant: **Pinnacle Peak Solutions, LLC**, Glen Ellyn, IL (US)

(72) Inventors: **Linda Wachter**, Glen Ellyn, IL (US); **Michael Scola**, Roselle, IL (US); **Steven Slowik**, Wheeling, IL (US); **Ron Farnum**, Chicago, IL (US); **John Olson**, Livingston, TX (US)

(73) Assignee: **Pinnacle Peak Solutions, LLC**, Glen Ellyn, IL (US)

(\*\*) Term: **15 Years**

(21) Appl. No.: **29/556,785**

(22) Filed: **Mar. 3, 2016**

(51) **LOC (11) Cl.** ..... **07-99**

(52) **U.S. Cl.**  
USPC ..... **D7/392.1**

(58) **Field of Classification Search**  
USPC ..... D7/369.2, 392.1, 509-511, 513, 533, D7/536-537, 586, 301-303, 619.1; D9/523-525, 528-529, 531, 536, 544, D9/435-436, 439-440, 443, 447; D3/202, 215  
CPC ..... A47G 19/22; A47G 19/2205; A47G 19/2272; B65D 2543/00046; B65D 2543/00027; B65D 2543/00055; B65D 2543/00009; B65D 2539/00; B65D 39/00; B65D 41/00; B65D 43/00; B65D 43/02; B65D 43/0225; B65D 43/0233; B65D 43/06; B65D 43/12  
See application file for complete search history.

(56) **References Cited**

**U.S. PATENT DOCUMENTS**

D502,050 S \* 2/2005 Munson ..... D7/392.1  
D632,563 S \* 2/2011 Sitabkhan ..... D9/435

D641,209 S \* 7/2011 Ablo ..... D7/392.1  
D656,362 S \* 3/2012 Cloutier ..... D7/500  
D663,574 S \* 7/2012 Shenkal ..... D7/392.1  
D676,275 S \* 2/2013 Chen ..... D7/392.1  
D676,276 S \* 2/2013 Muspratt-Williams ..... D7/392.1  
D677,159 S \* 3/2013 Sina ..... D7/392.1  
D684,821 S \* 6/2013 Mariotti ..... D7/586

(Continued)

**FOREIGN PATENT DOCUMENTS**

CN 204636045 U \* 9/2015  
CN 105902177 A \* 8/2016

(Continued)

**OTHER PUBLICATIONS**

Drink Tops MOD Tap & Seal Outdoor Silicone Drink Covers, Pack of 4 (Large), posted at Amazon.com, posted on Jul. 18, 2016, site visited Jan. 18, 2017, <<https://www.amazon.com/Drink-Tops-Outdoor-Silicone-Covers/dp/B01INYDD6W>>.\*

(Continued)

*Primary Examiner* — Barbara Fox  
*Assistant Examiner* — Messina L Smith  
(74) *Attorney, Agent, or Firm* — Michael P. Mazza, LLC

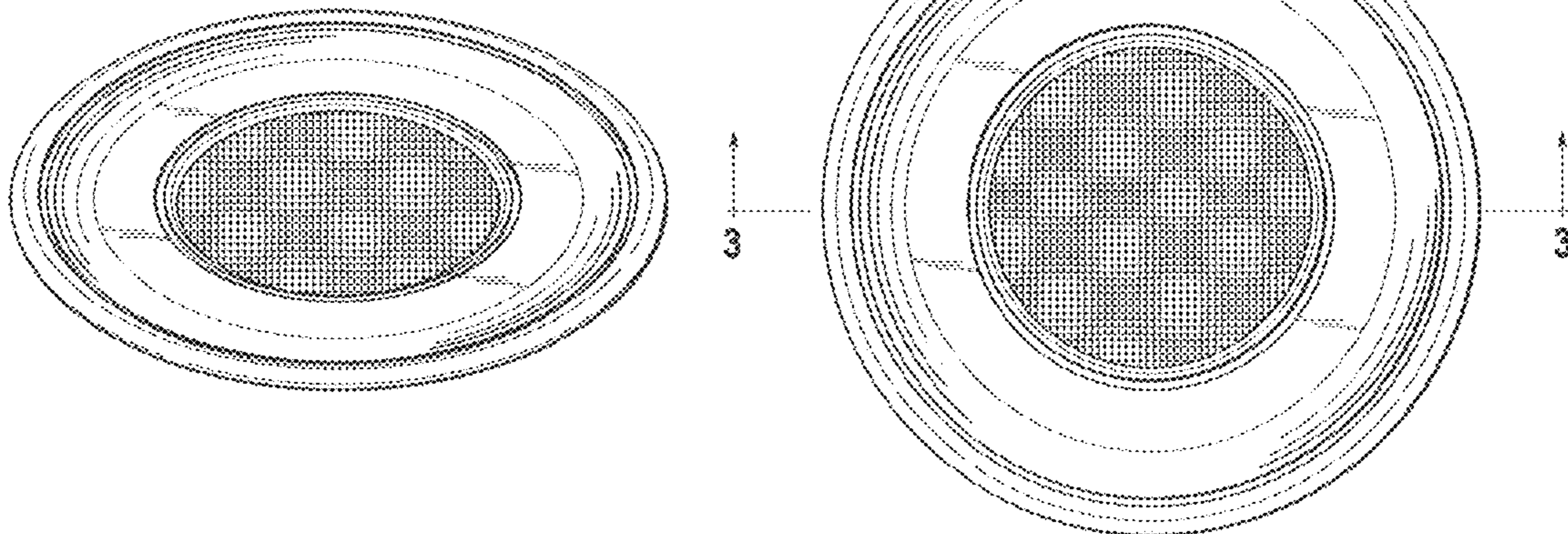
(57) **CLAIM**

The ornamental design for a cover for drinking container, as shown and described.

**DESCRIPTION**

FIG. 1 is a top and side plan view of a cover for drinking container showing the new design;  
FIG. 2 is a top plan view thereof;  
FIG. 3 is a cross-sectional view taken along line 3-3 of FIG. 2;  
FIG. 4 is a side plan view of the cover for drinking container;  
FIG. 5 is a bottom plan view thereof; and,  
FIG. 6 is a bottom and side plan view thereof.

**1 Claim, 2 Drawing Sheets**



(56)

References Cited

U.S. PATENT DOCUMENTS

D700,513 S \* 3/2014 Carsrud ..... D9/447  
 D706,076 S \* 6/2014 Andersen ..... D7/392.1  
 D731,239 S \* 6/2015 Rothfield ..... D7/392.1  
 D731,241 S \* 6/2015 Yessin ..... D7/392.1  
 D736,560 S \* 8/2015 Dexter ..... D7/392.1  
 D742,743 S \* 11/2015 Thurin ..... D9/443  
 D743,747 S \* 11/2015 Mariotti ..... D7/576  
 D751,381 S \* 3/2016 Torrison ..... D9/416  
 D754,470 S \* 4/2016 Rothfield ..... D7/392.1  
 D766,720 S \* 9/2016 Ware ..... D9/447  
 D767,329 S \* 9/2016 Mock ..... D7/392.1  
 D784,130 S \* 4/2017 Andersen ..... D9/435  
 D787,888 S \* 5/2017 Joseph ..... D7/510  
 2007/0158356 A1 \* 7/2007 Cunningham ..... A47G 19/2205  
 220/801  
 2011/0233226 A1 \* 9/2011 Muxo ..... B65D 43/0214  
 220/796  
 2012/0091142 A1 \* 4/2012 Jamison ..... A47G 19/2222  
 220/371  
 2014/0374428 A1 \* 12/2014 Watson ..... B65D 7/40  
 220/780  
 2016/0152388 A1 \* 6/2016 Bartkow ..... B65D 65/02  
 220/796

FOREIGN PATENT DOCUMENTS

GB 2460232 A \* 11/2009 ..... A47G 19/2211  
 JP 2014226520 A \* 12/2014  
 KR 2009012791 U \* 12/2009  
 KR 1104153 B1 \* 1/2012

OTHER PUBLICATIONS

Drink Tops MOD Tap & Seal Outdoor Silicone Drink Covers, Pack of 4 (Original), posted at Amazon.com, posted on Jul. 18, 2016, site visited Jan. 18, 2017, <[https://www.amazon.com/Drink-Tops-Outdoor-Silicone-Original/dp/B01INYYDD6M/ref=pd\\_day0\\_79\\_21?encoding=UTF8&psc=1&refRID=EQFVAFPRCBRPGD8NQFK4](https://www.amazon.com/Drink-Tops-Outdoor-Silicone-Original/dp/B01INYYDD6M/ref=pd_day0_79_21?encoding=UTF8&psc=1&refRID=EQFVAFPRCBRPGD8NQFK4)>.\*  
 Drink Tops Wine Tap & Seal Outdoor Silicone Drink Covers, Pack of 4, posted at Amazon.com, posted on Sep. 12, 2016, site visited Jan. 18, 2017, <[https://www.amazon.com/Drink-Tops-Outdoor-Silicone-Covers/dp/B01M11YS8W/ref=pd\\_sbs\\_79\\_3?encoding=UTF8&psc=1&refRID=V4VE9S82Z184TW1A7J2T](https://www.amazon.com/Drink-Tops-Outdoor-Silicone-Covers/dp/B01M11YS8W/ref=pd_sbs_79_3?encoding=UTF8&psc=1&refRID=V4VE9S82Z184TW1A7J2T)>.\*  
 Drinktops The Outdoor Drink Cover, posted at Coverware.com, no posting date given, © 2016, site visited Jan. 18, 2017, <<https://coverware.com/>>.\*

\* cited by examiner



Fig. 1

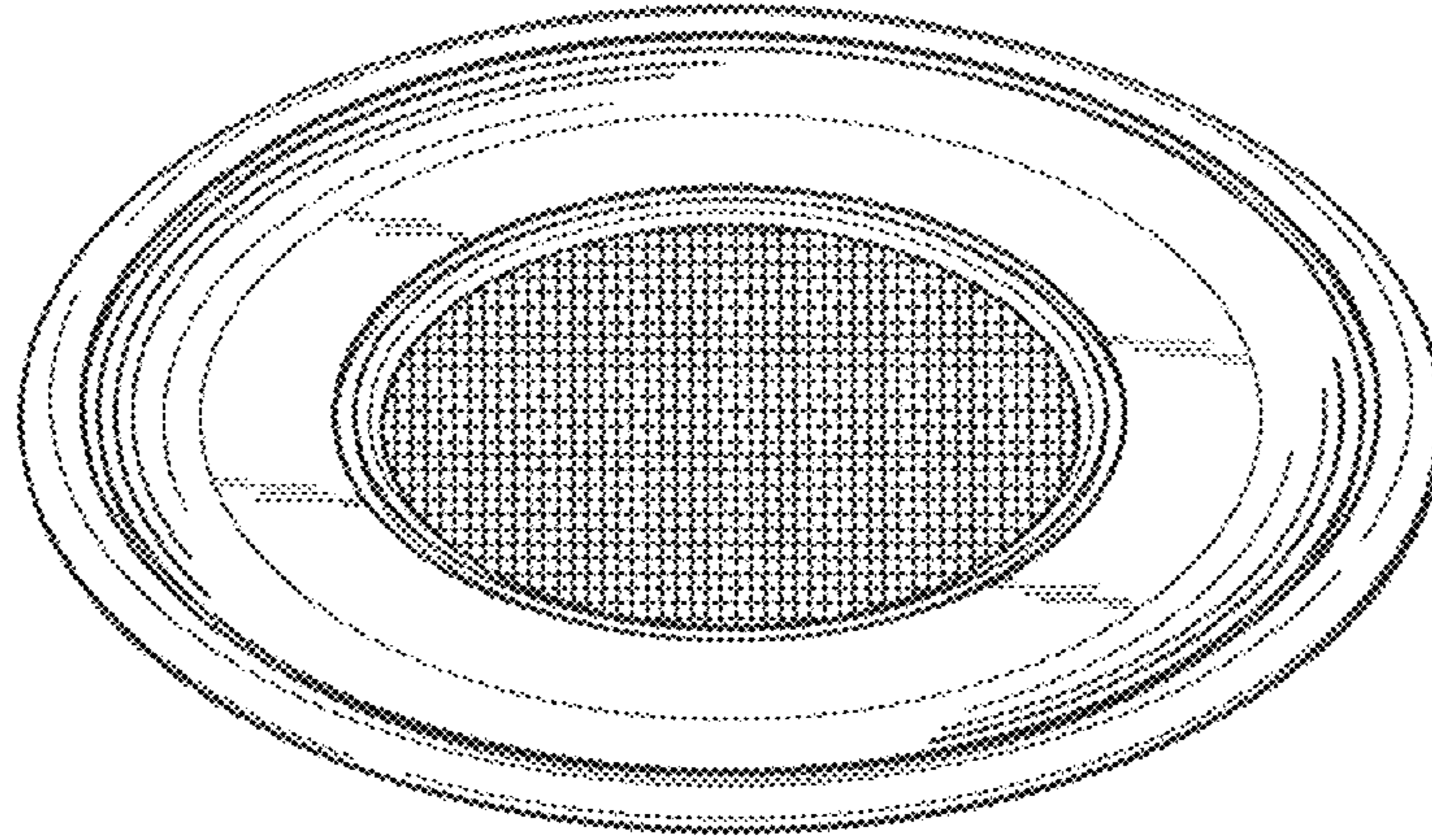


Fig. 2

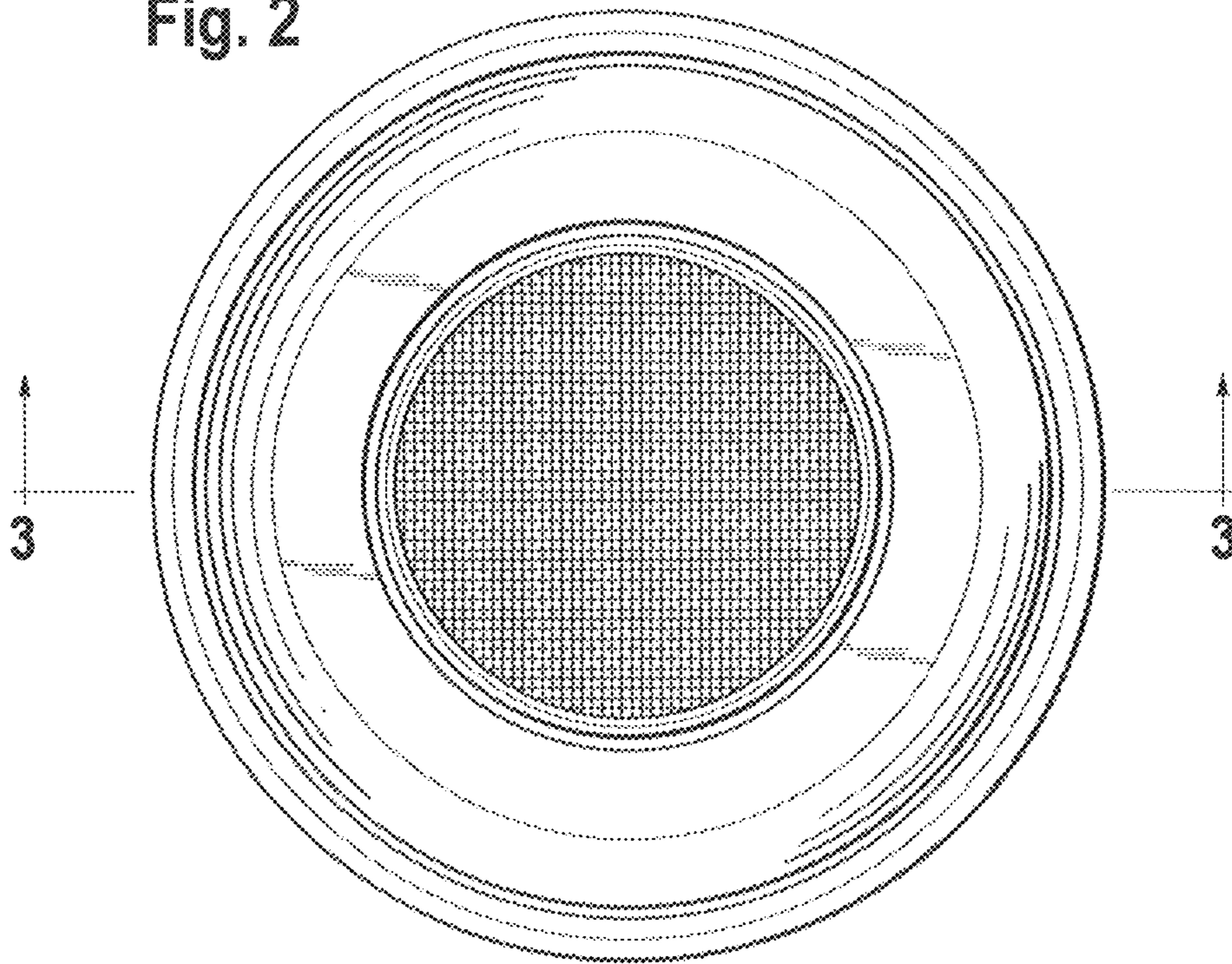


Fig. 3



Fig. 4



Fig. 5

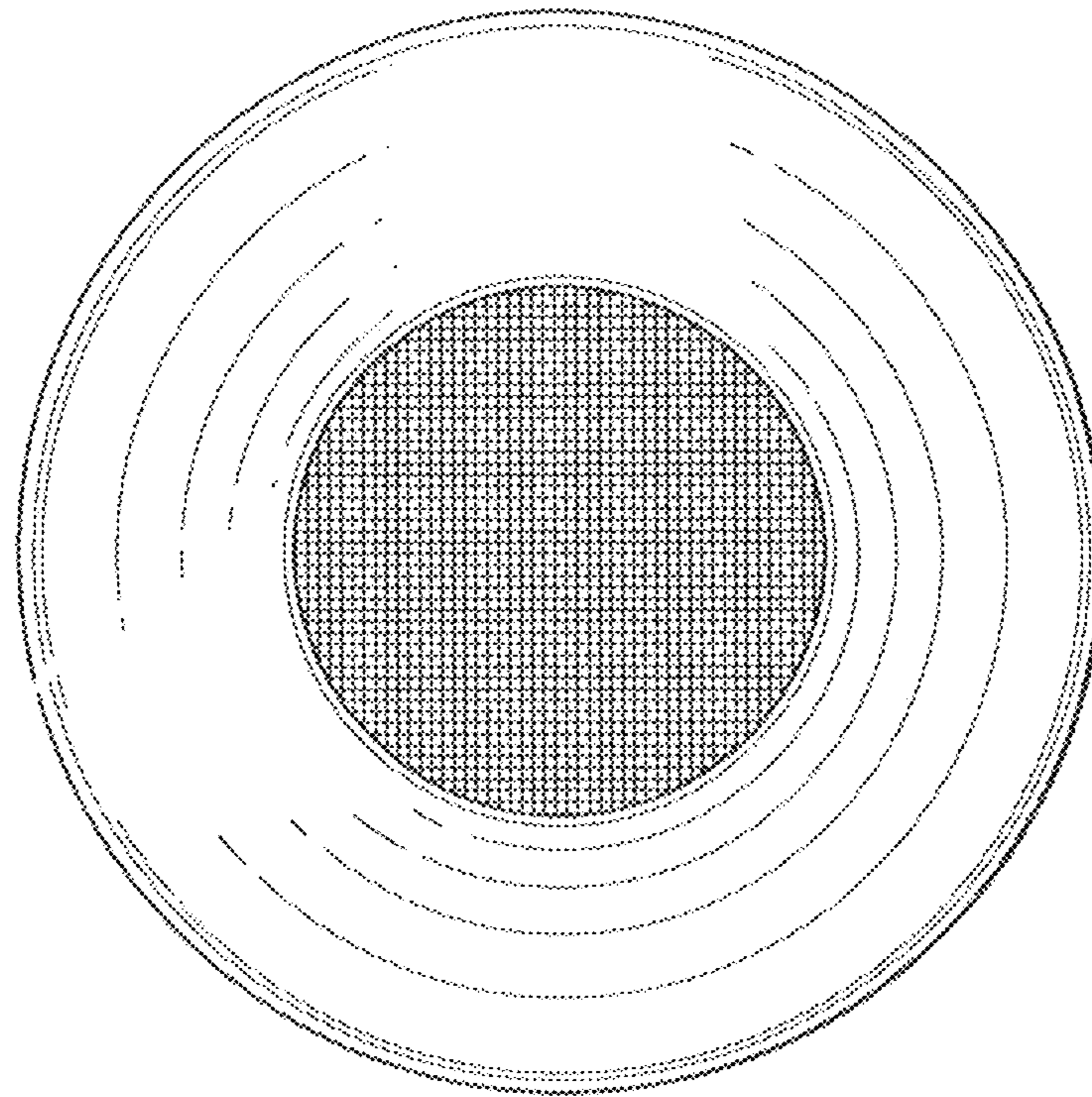


Fig. 6

