



US00D811810S

(12) **United States Design Patent**
Joseph et al.

(10) **Patent No.:** **US D811,810 S**
(45) **Date of Patent:** **** Mar. 6, 2018**

(54) **LID FOR BEVERAGE CONTAINER**
(71) Applicant: **IGNITE USA, LLC**, Chicago, IL (US)
(72) Inventors: **David Joseph**, St. Charles, IL (US);
Blair Miller, Chicago, IL (US)

D629,653 S 12/2010 Gullickson et al.
D634,161 S 3/2011 Roth et al.
D649,402 S 11/2011 Gilbert et al.
(Continued)

(73) Assignee: **IGNITE USA, LLC**, Chicago, IL (US)
(**) Term: **14 Years**

OTHER PUBLICATIONS
"Contigo Cortland Water Bottle". Found online Oct. 25, 2016 at amazon.com. Page dated Jul. 31, 2014. Retrieved from <https://www.amazon.com/Contigo-Cortland-Bottle-24-Ounce-Greyed/dp/B00MVODHO4>.*

(21) Appl. No.: **29/514,831**

(Continued)

(22) Filed: **Jan. 16, 2015**

Primary Examiner — Robert M. Spear
Assistant Examiner — Kendra Leslie Hamilton

(51) **LOC (11) Cl.** **07-01**

(74) *Attorney, Agent, or Firm* — Marshall, Gerstein & Borun LLP

(52) **U.S. Cl.**
USPC **D7/392.1**

(58) **Field of Classification Search**
USPC D7/391, 392, 392.1, 396.1, 396.2, 509,
D7/510, 511, 620; D9/435, 436, 440,
D9/447, 516
CPC A47G 19/2272
See application file for complete search history.

(57) **CLAIM**
We claim the ornamental design for a lid for beverage container, as shown and described.

(56) **References Cited**

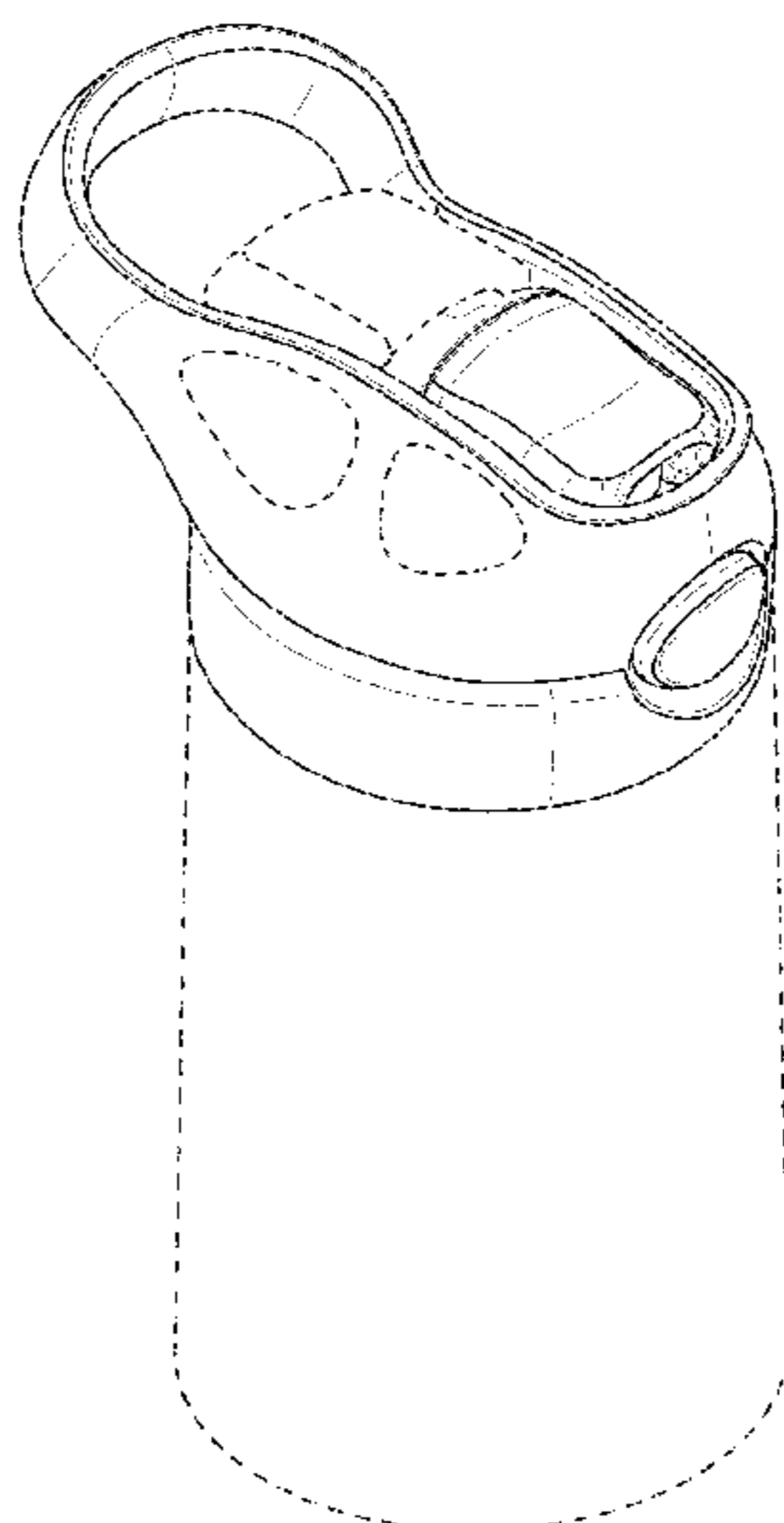
DESCRIPTION

U.S. PATENT DOCUMENTS

3,881,643	A	5/1975	LaVange
5,137,168	A	8/1992	Mothrath et al.
5,203,468	A	4/1993	Hsu
5,332,131	A	7/1994	Pehr
5,409,131	A	4/1995	Phillips et al.
5,427,271	A	6/1995	Wang
6,116,458	A	9/2000	Dark
6,279,773	B1	8/2001	Kiyota
6,523,711	B1	2/2003	Hughes et al.
6,609,624	B2	8/2003	Goto et al.
7,059,490	B2	6/2006	Son
D533,061	S	12/2006	Li
D547,607	S	7/2007	Forsman
D592,913	S	5/2009	Pinelli et al.
7,533,783	B2	5/2009	Choi et al.
7,708,035	B2	5/2010	Windmiller
7,766,057	B2	8/2010	Windmiller
D626,838	S	11/2010	Meyers et al.

FIG. 1 is a perspective view of a lid for beverage container according to the new design;
FIG. 2 is a top view of the lid for beverage container shown in FIG. 1;
FIG. 3 is a bottom view of the lid for beverage container shown in FIG. 1;
FIG. 4 is a front view of the lid for beverage container shown in FIG. 1;
FIG. 5 is a rear view of the lid for beverage container shown in FIG. 1;
FIG. 6 is a left side view of the lid for beverage container shown in FIG. 1, and,
FIG. 7 is a right side view of the lid for beverage container shown in FIG. 1.
Features shown in broken lines in the drawings are not part of the claim.

1 Claim, 7 Drawing Sheets



(56)

References Cited

U.S. PATENT DOCUMENTS

D652,256 S 1/2012 Eyal
 D653,081 S 1/2012 George
 D655,580 S 3/2012 Kotani
 D660,487 S 5/2012 Wu
 8,191,727 B2 6/2012 Davies et al.
 D669,732 S 10/2012 Hopkins et al.
 D670,134 S 11/2012 Di Lollo
 D672,609 S 12/2012 Aziz et al.
 D682,034 S 5/2013 El-Saden et al.
 D690,162 S 9/2013 Staton
 D690,556 S 10/2013 Boroski
 8,550,269 B2 10/2013 Lane
 D695,069 S 12/2013 Lane
 8,602,238 B2 12/2013 El-Saden et al.
 D700,012 S * 2/2014 Hurley D7/392.1
 8,672,174 B1 3/2014 McMullin
 D707,124 S * 6/2014 Blain D9/443
 D714,154 S 9/2014 Keeler
 D725,436 S 3/2015 Miller
 D729,569 S * 5/2015 Herbst D7/392
 D742,230 S * 11/2015 Charles D7/396.2
 D745,827 S * 12/2015 Sorensen D7/392.1
 D748,943 S * 2/2016 Miller D7/392.1
 D752,916 S * 4/2016 Goodwin D7/392.1
 D756,702 S * 5/2016 Joseph D7/392.1
 D760,080 S * 6/2016 Gorbald D9/443
 D763,688 S * 8/2016 Breit D9/443
 2002/0036207 A1 3/2002 Ohuo et al.
 2002/0158069 A1 10/2002 Yoneoka et al.
 2003/0102318 A1 6/2003 Lee
 2004/0069783 A1 4/2004 Chen

2007/0039959 A1 2/2007 Choi et al.
 2008/0237233 A1 10/2008 Choi et al.
 2008/0272134 A1 11/2008 Rohe
 2010/0170902 A1 7/2010 Britto et al.
 2010/0181329 A1 7/2010 Davies et al.
 2010/0224631 A1 * 9/2010 Roth B65D 45/025
 220/288
 2011/0253733 A1 * 10/2011 Meyers B65D 47/089
 220/833
 2012/0145713 A1 6/2012 Jung
 2015/0173539 A1 * 6/2015 Mason A47G 19/2272
 220/707

OTHER PUBLICATIONS

“Contigo Autospout Addison Water Bottle”. Found online Aug. 26, 2015 at amazon.com. Page dated Jan. 2, 2012. Retrieved from http://www.amazon.com/Contigo-Autospout-Addison-24-Ounce-Watermelon/dp/B00C5G3PCC/ref=cm_cr_pr_product_top?ie=UTF8.*

“Groove Stainless .6L”. Found online Aug. 26, 2015 at shop.camelbak.com. Page dated Nov. 21, 2011. Retrieved from <http://shop.camelbak.com/groove-stainless-6l/d/1206>.*

“Klean Kanteen: The Eco-Friendly Personal Hydration Bottle”. Found online Aug. 26, 2015 at earthtimes.org. Page dated Jun. 5, 2011. Retrieved from <http://www.earthtimes.org/green-blogs/green-living/klean-kanteen-the-eco-friendly-personal-hydration-bottle-05-Jun-11/>.*

Photos of beverage container obtained from Starbucks Coffee, on or about Nov. 2011.

* cited by examiner

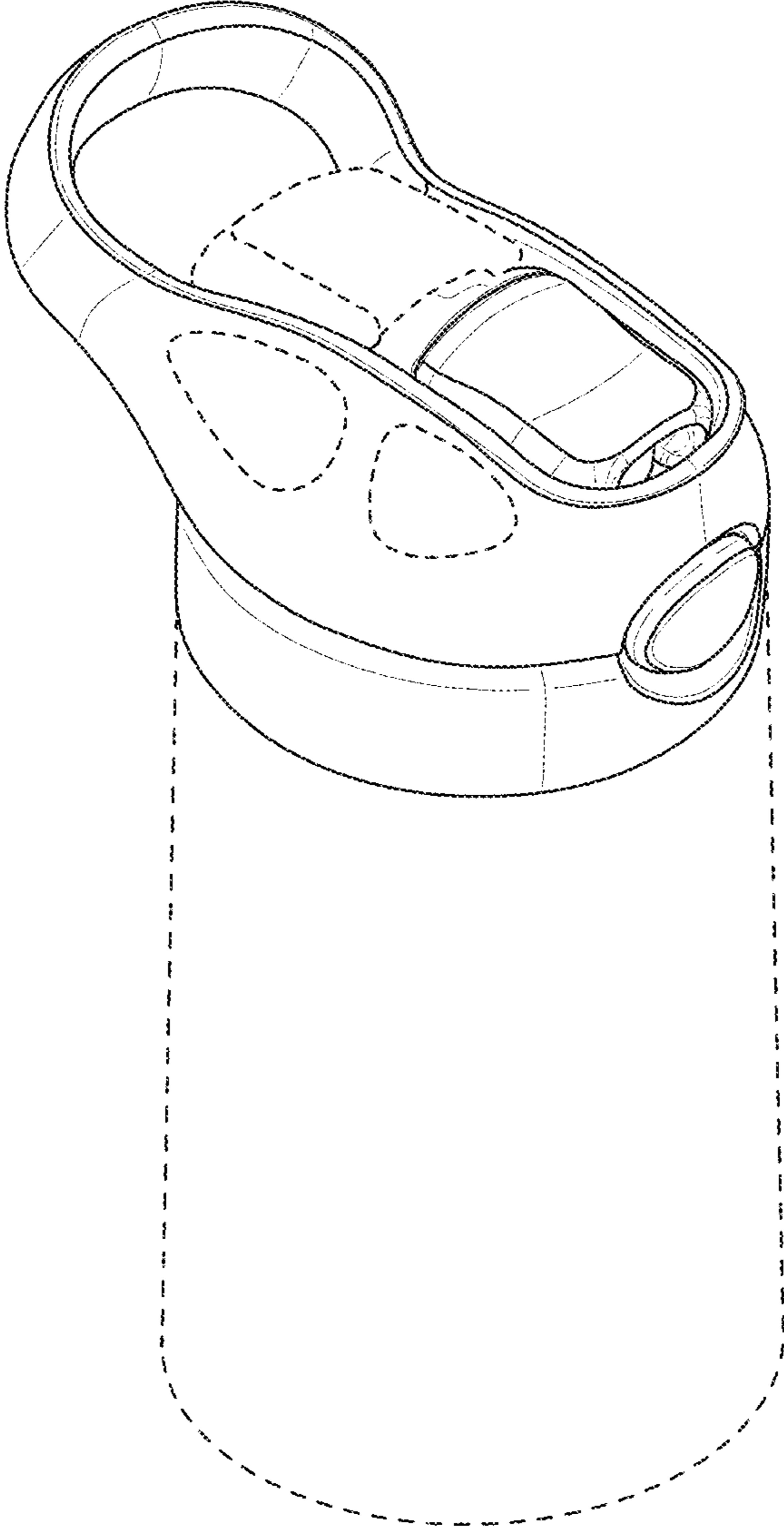


FIG. 1

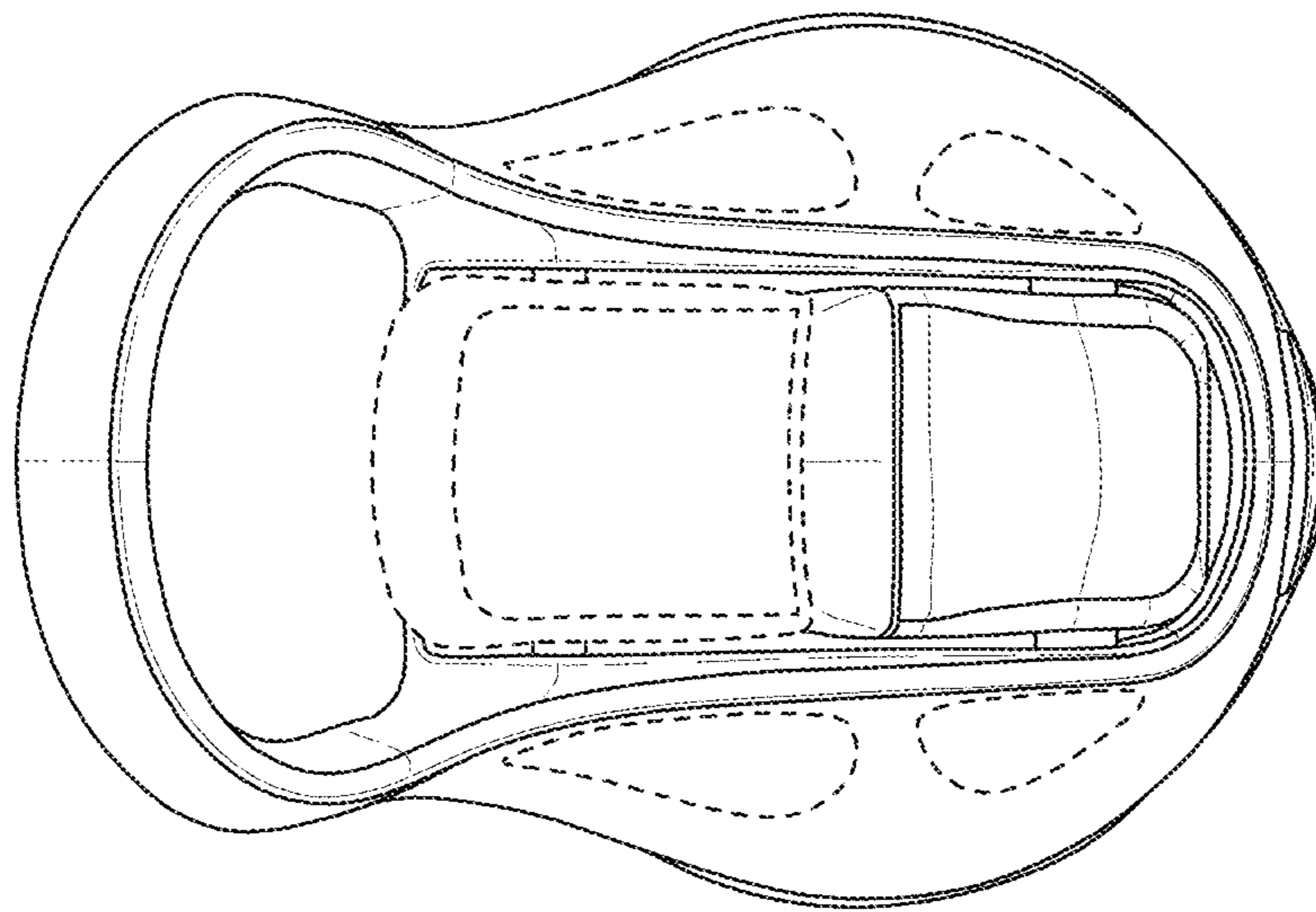


FIG. 2

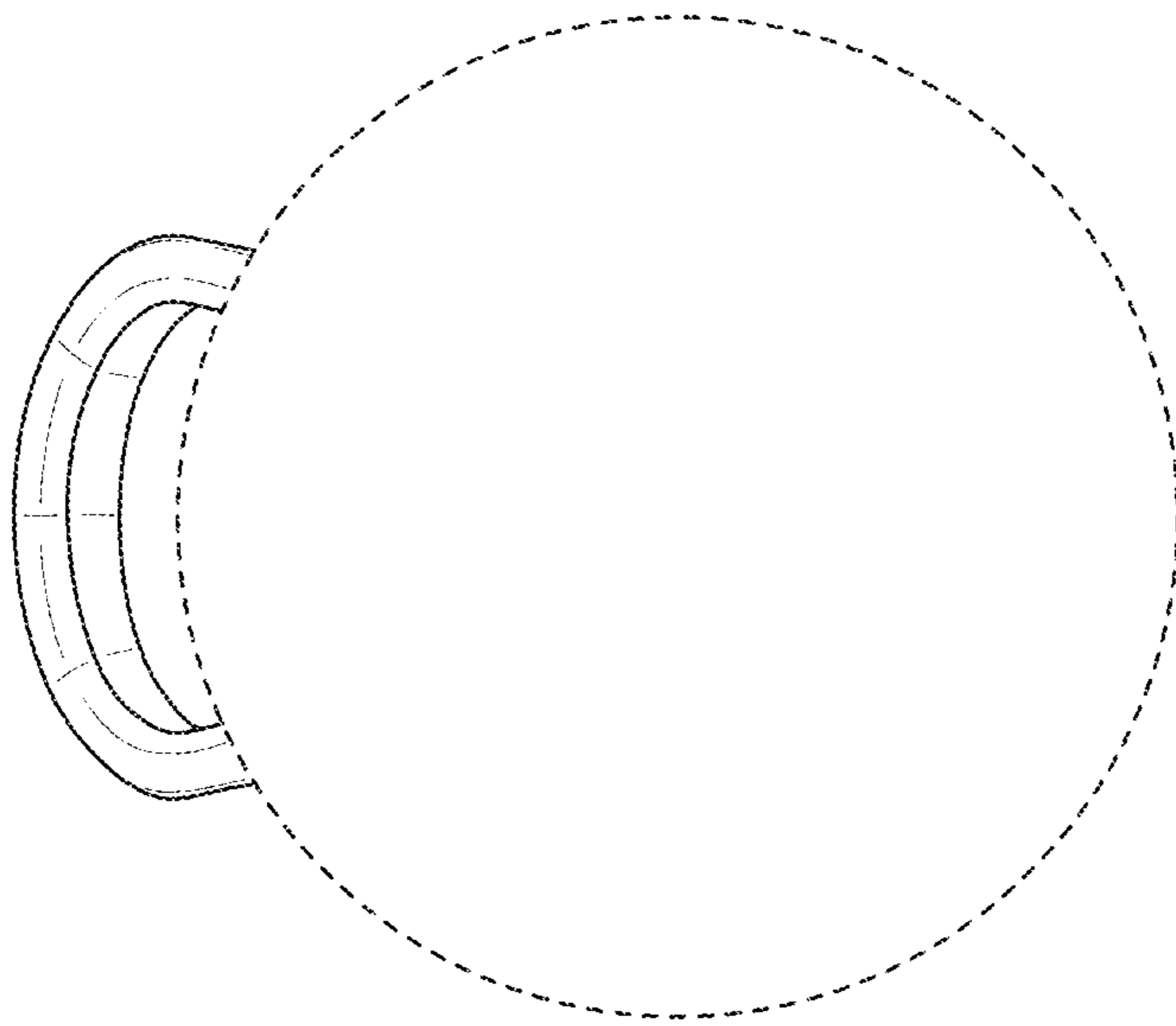


FIG. 3

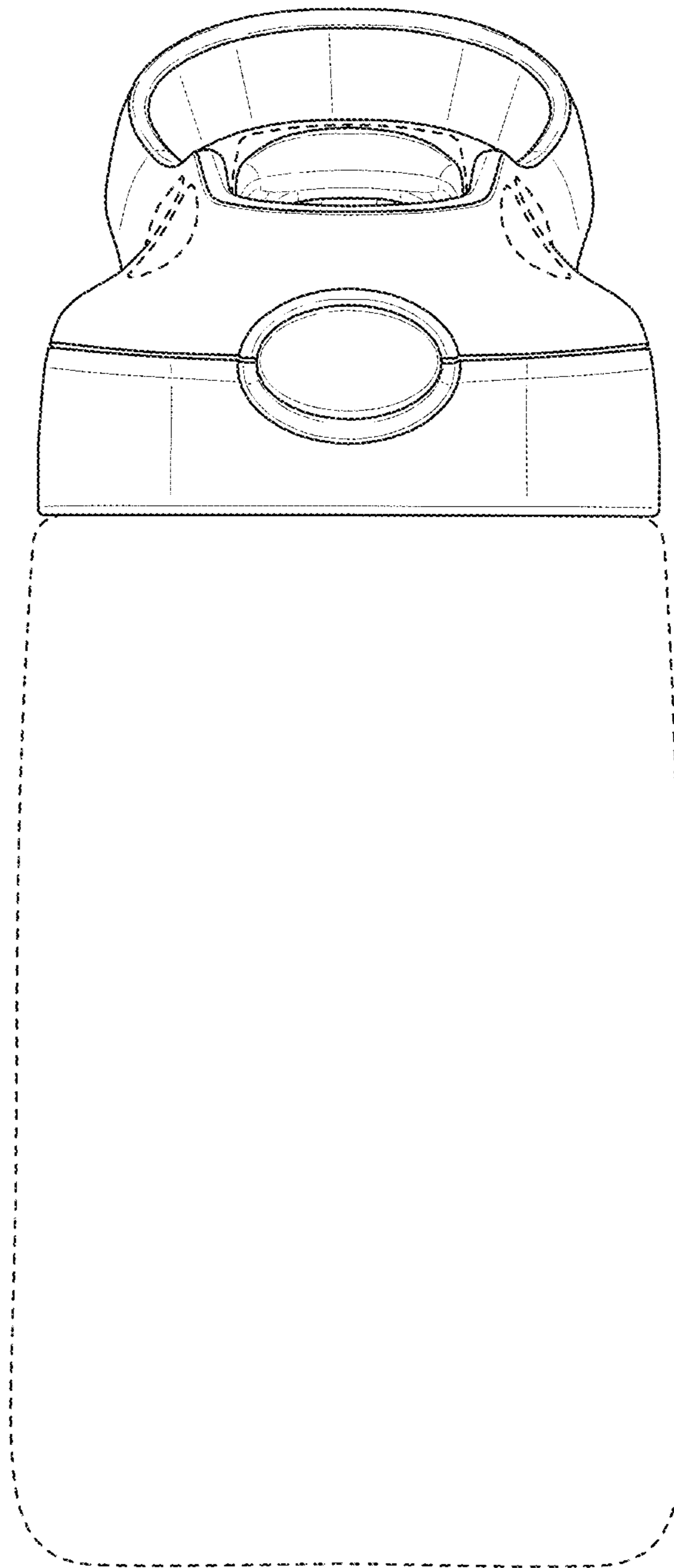


FIG. 4

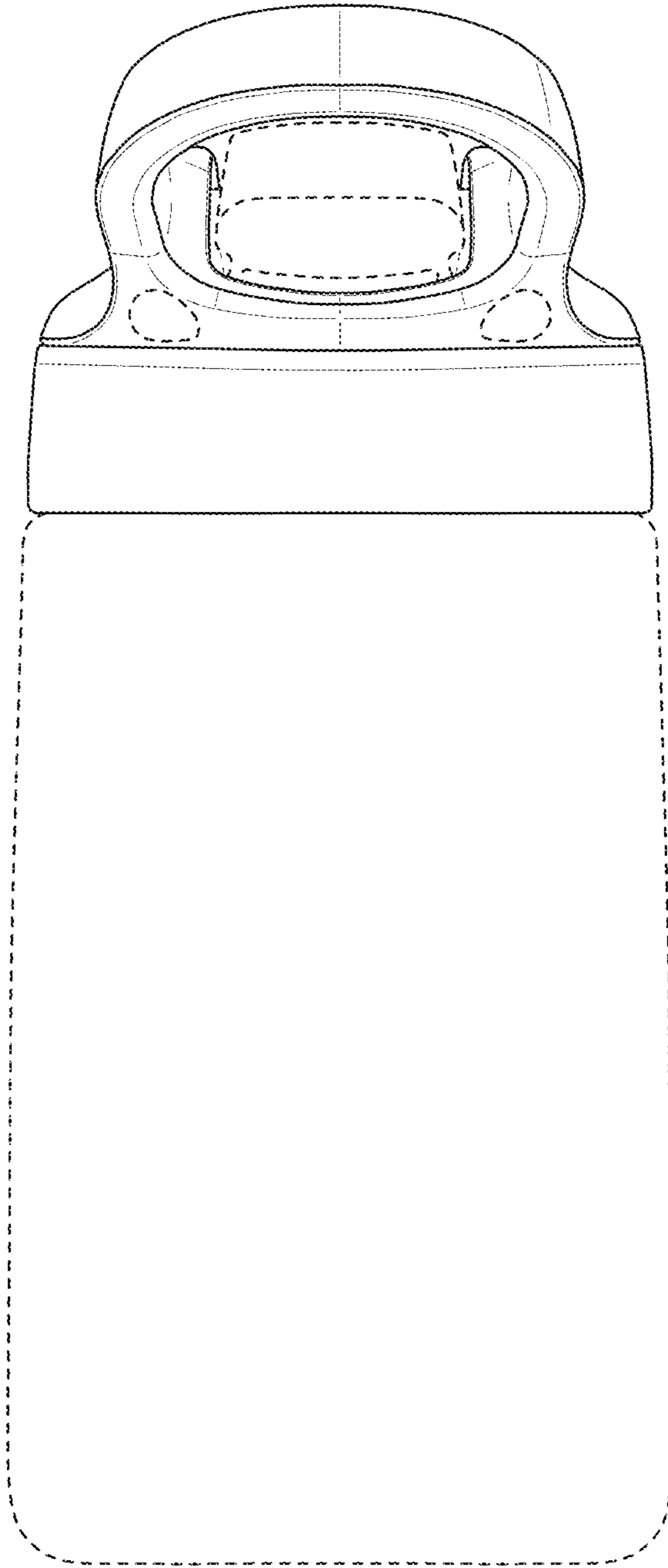


FIG. 5

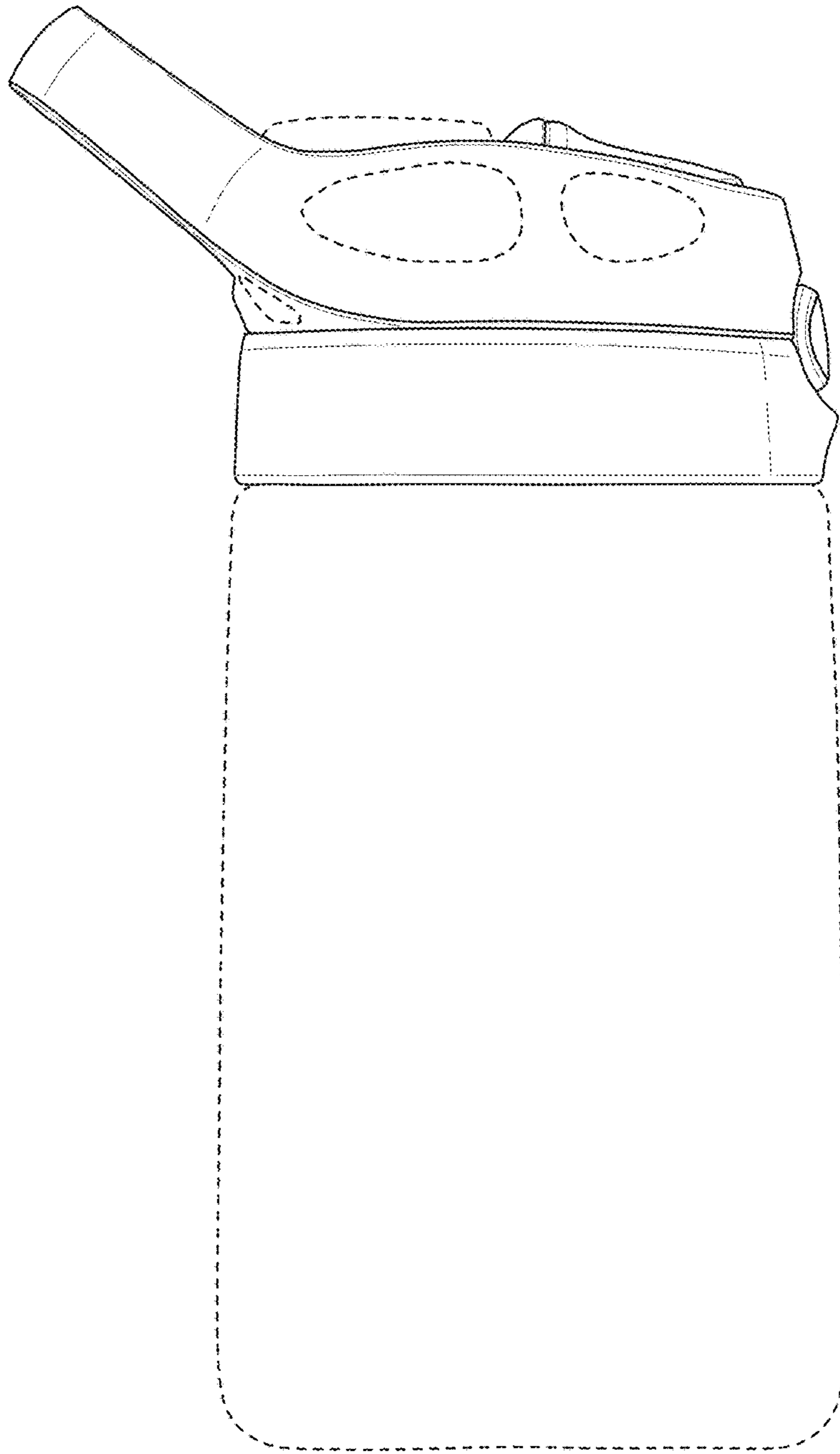


FIG. 6

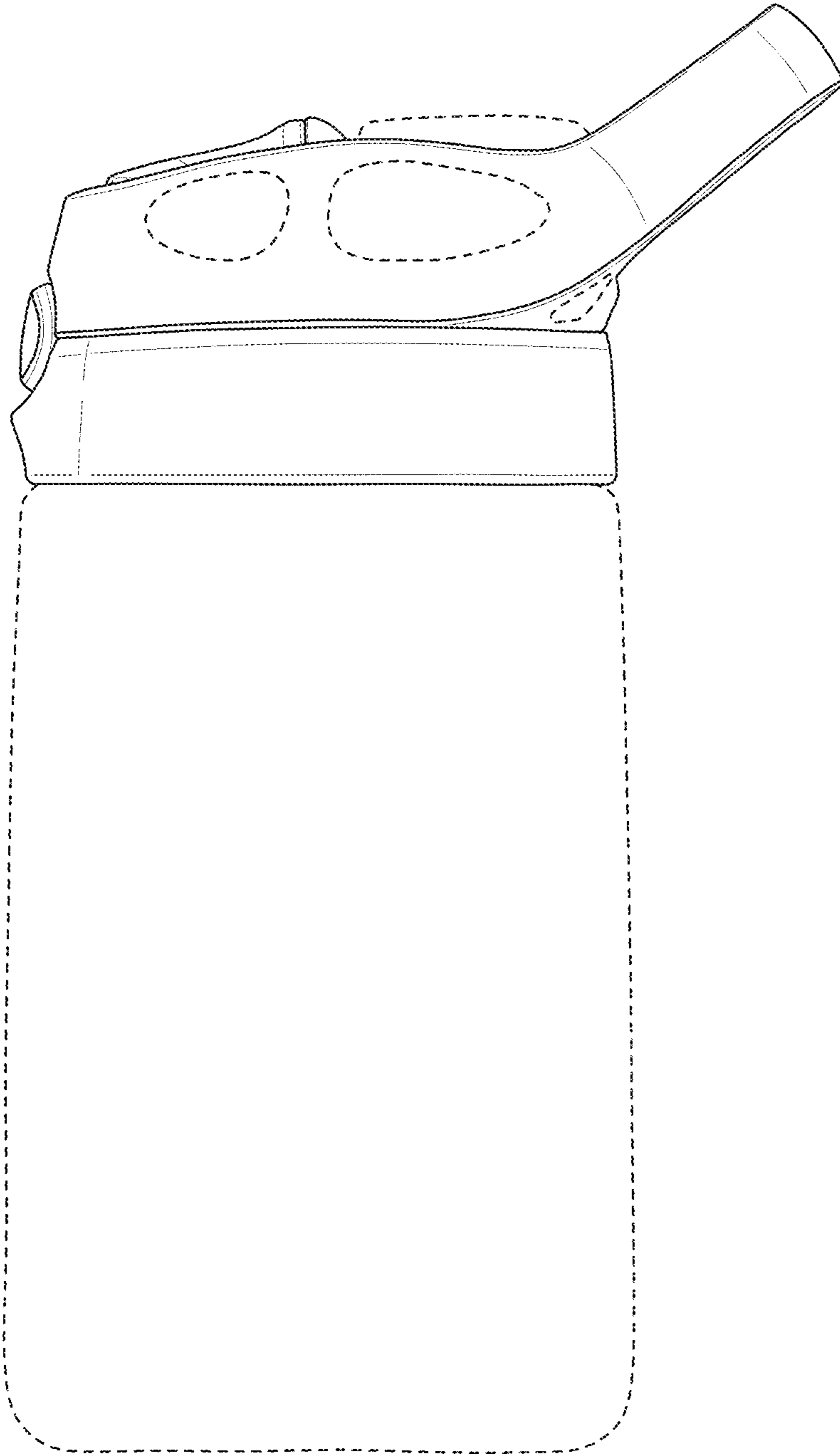


FIG. 7