



US00D811808S

(12) **United States Design Patent** (10) **Patent No.:** **US D811,808 S**
Palermo et al. (45) **Date of Patent:** **** Mar. 6, 2018**

(54) **APPLIANCE BASE**

(71) Applicant: **Sunbeam Products, Inc.**, Boca Raton, FL (US)

(72) Inventors: **Joseph Palermo**, Boynton Beach, FL (US); **William T. Lintner**, Winston-Salem, NC (US)

(73) Assignee: **Sunbeam Products, Inc.**, Boca Raton, FL (US)

(**) Term: **15 Years**

(21) Appl. No.: **29/589,357**

(22) Filed: **Dec. 30, 2016**

(51) **LOC (11) Cl.** **31-00**

(52) **U.S. Cl.**
USPC **D7/386**; D7/376; D7/378; D7/384

(58) **Field of Classification Search**
USPC D7/372, 376–386, 412–413, 602, 629, D7/665–666, 669, 679, 693–694
CPC A21C 1/02; A21C 1/04; A23N 1/00; A23N 1/02; A47J 43/04; A47J 43/25; A47J 43/27; A47J 43/042; A47J 43/044; A47J 43/046; A47J 43/06; A47J 43/075; A47J 43/0722; A47J 43/0727; B01F 3/00; B01F 3/0807; B01F 3/0853; B01F 13/0059; B01F 13/0064; B02C 1/08; B02C 2/04; B02C 4/42; B02C 4/142; B02C 4/143; B02C 4/423; B02C 13/1835; B28C 5/10; B28C 5/12; B28C 5/14; B28C 5/16

See application file for complete search history.

(56) **References Cited**

U.S. PATENT DOCUMENTS

D466,362 S *	12/2002	Moore	D7/378
D473,100 S *	4/2003	Sakai	D7/378
D605,461 S *	12/2009	Picozza	D7/378
D617,145 S *	6/2010	Picozza	D7/378
D668,100 S *	10/2012	Palermo	D7/376
D765,465 S *	9/2016	Du	D7/376
D783,340 S *	4/2017	Palermo	D7/376
D783,341 S *	4/2017	Palermo	D7/376
D784,071 S *	4/2017	Davies	D7/376
D786,615 S *	5/2017	Tsai	D7/376
D788,520 S *	6/2017	Blaise	D7/376
D789,736 S *	6/2017	Palermo	D7/376
2005/0185507 A1 *	8/2005	Beesley	A47J 43/06 366/205

* cited by examiner

Primary Examiner — Ricky Pham

(74) *Attorney, Agent, or Firm* — Seth M. Blum

(57) **CLAIM**

The ornamental design for the appliance base, as shown and described.

DESCRIPTION

FIG. 1 is a front perspective view of the appliance base;
FIG. 2 is a front view thereof;
FIG. 3 is a rear view thereof;
FIG. 4 is a left side view thereof;
FIG. 5 is right side view thereof; and,
FIG. 6 is a top view thereof.
The missing bottom view and broken lines depict portions of the appliance base that form no part of the claimed design.

1 Claim, 3 Drawing Sheets

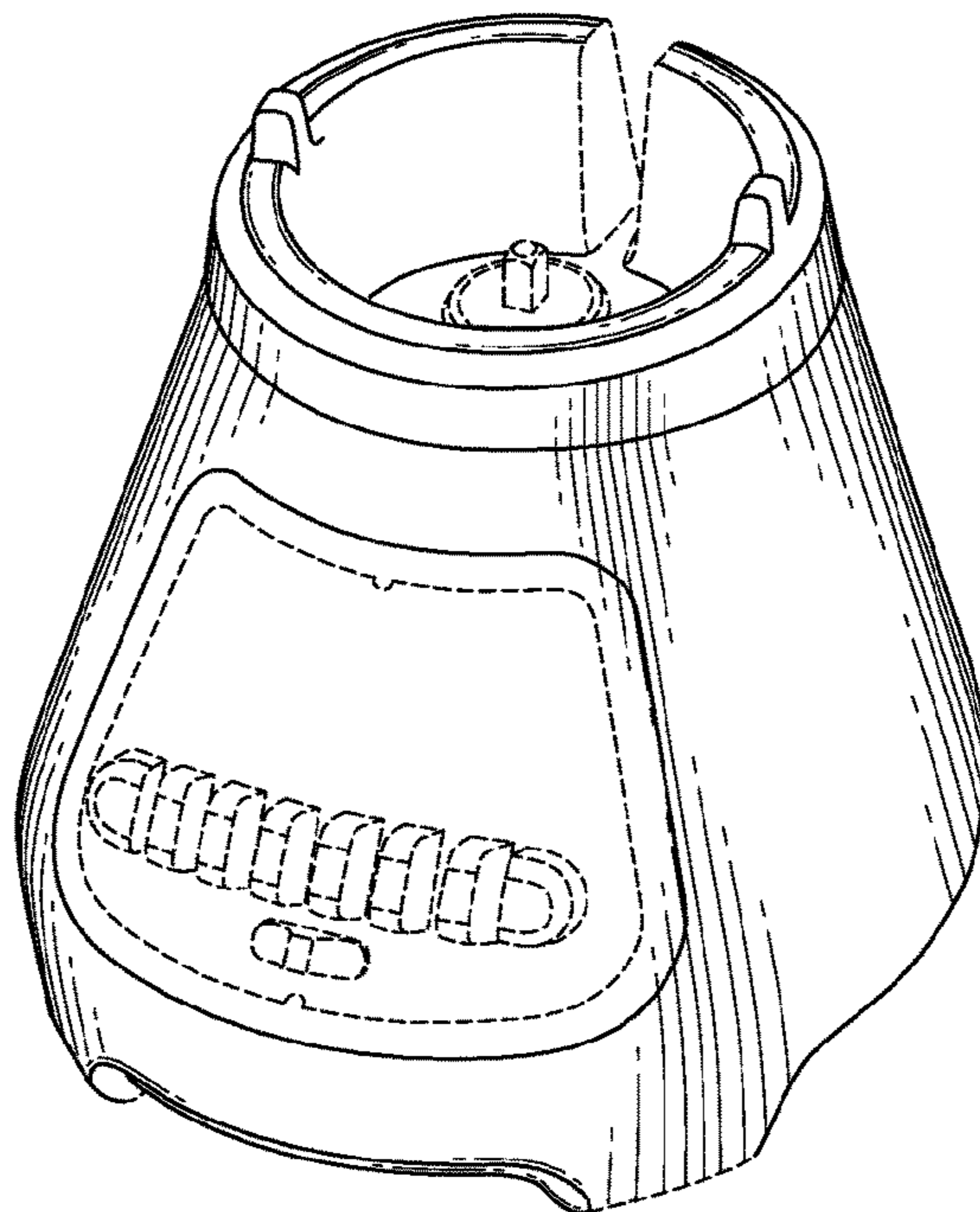


FIG. 1

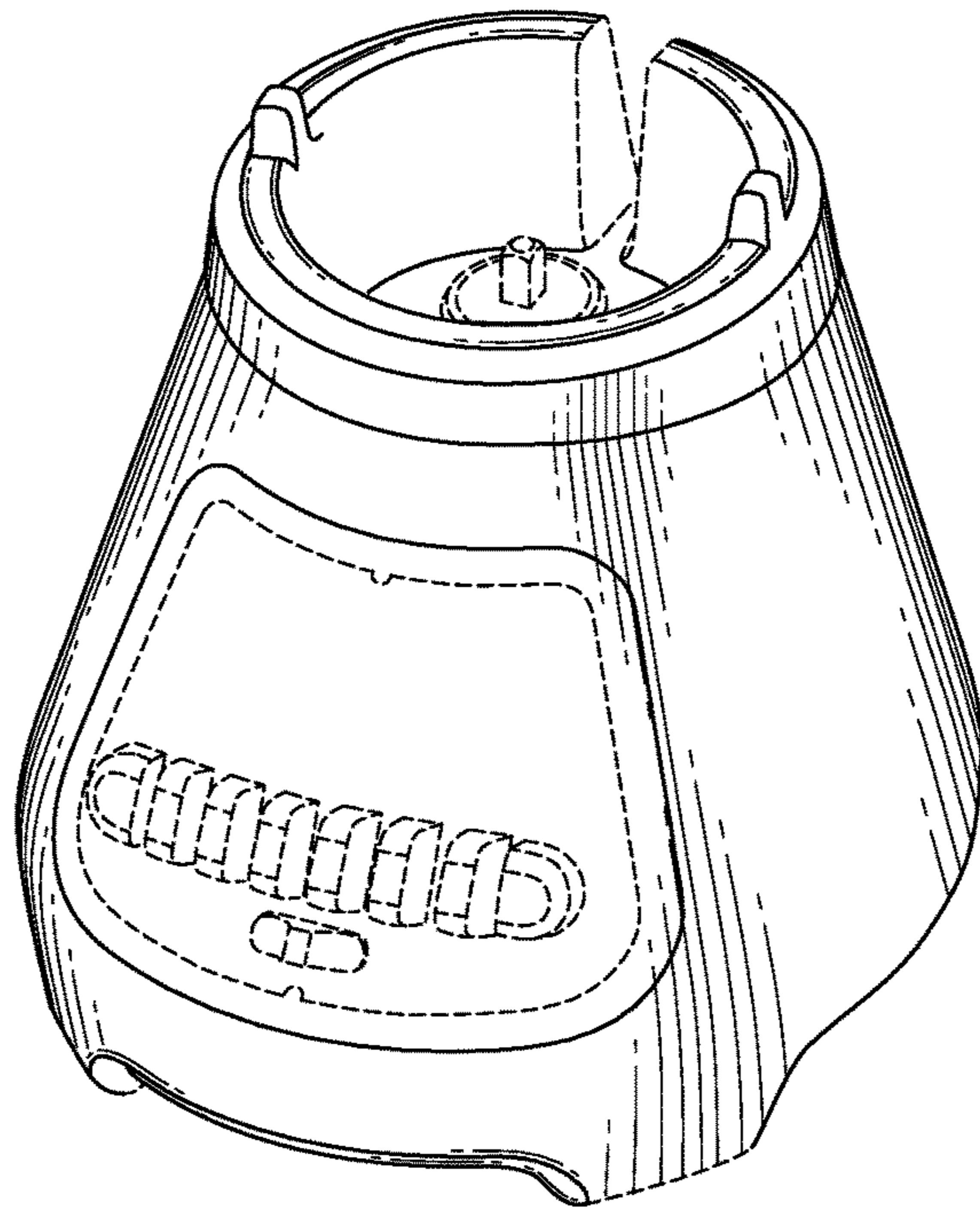


FIG. 2

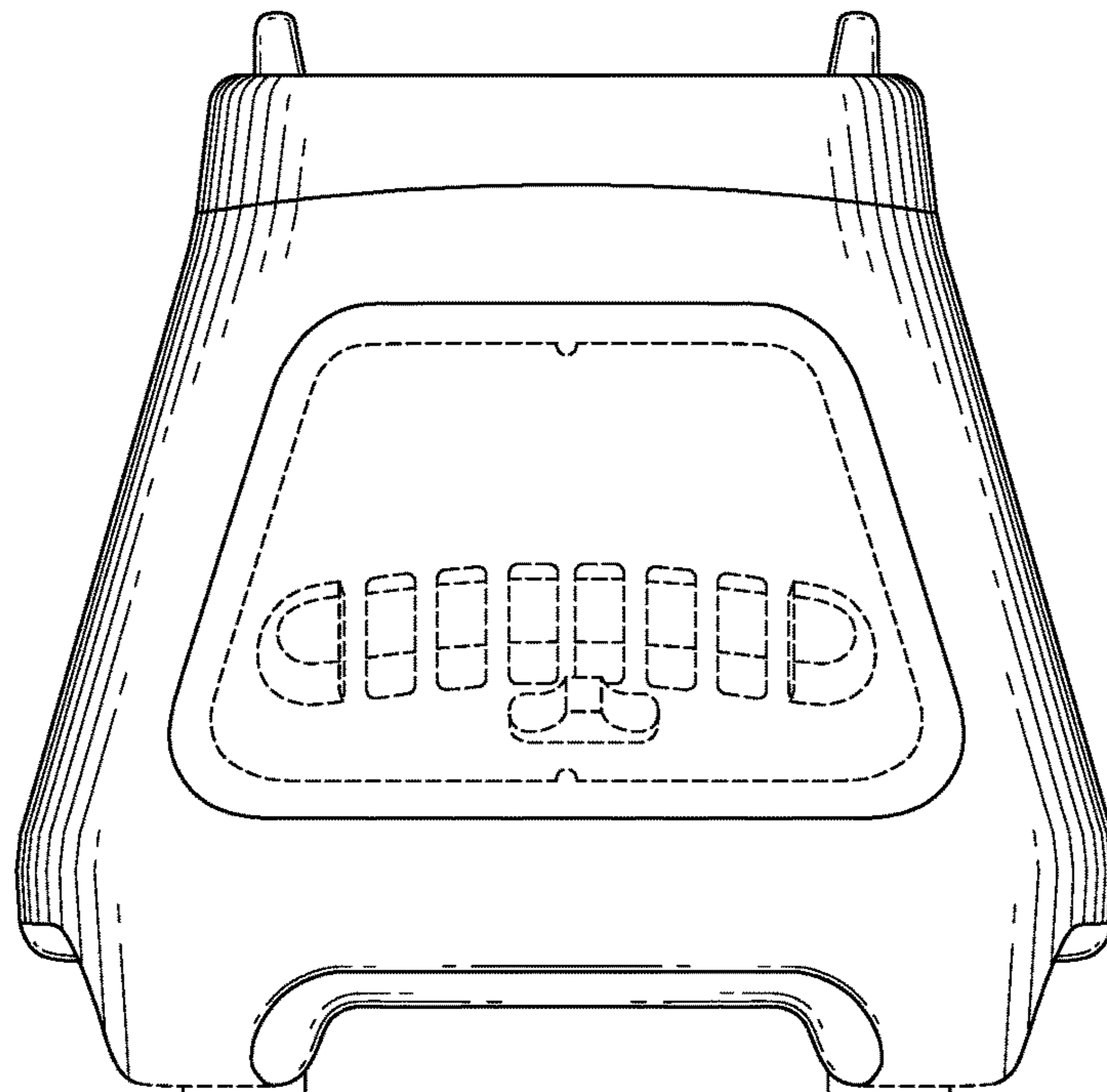


FIG. 3

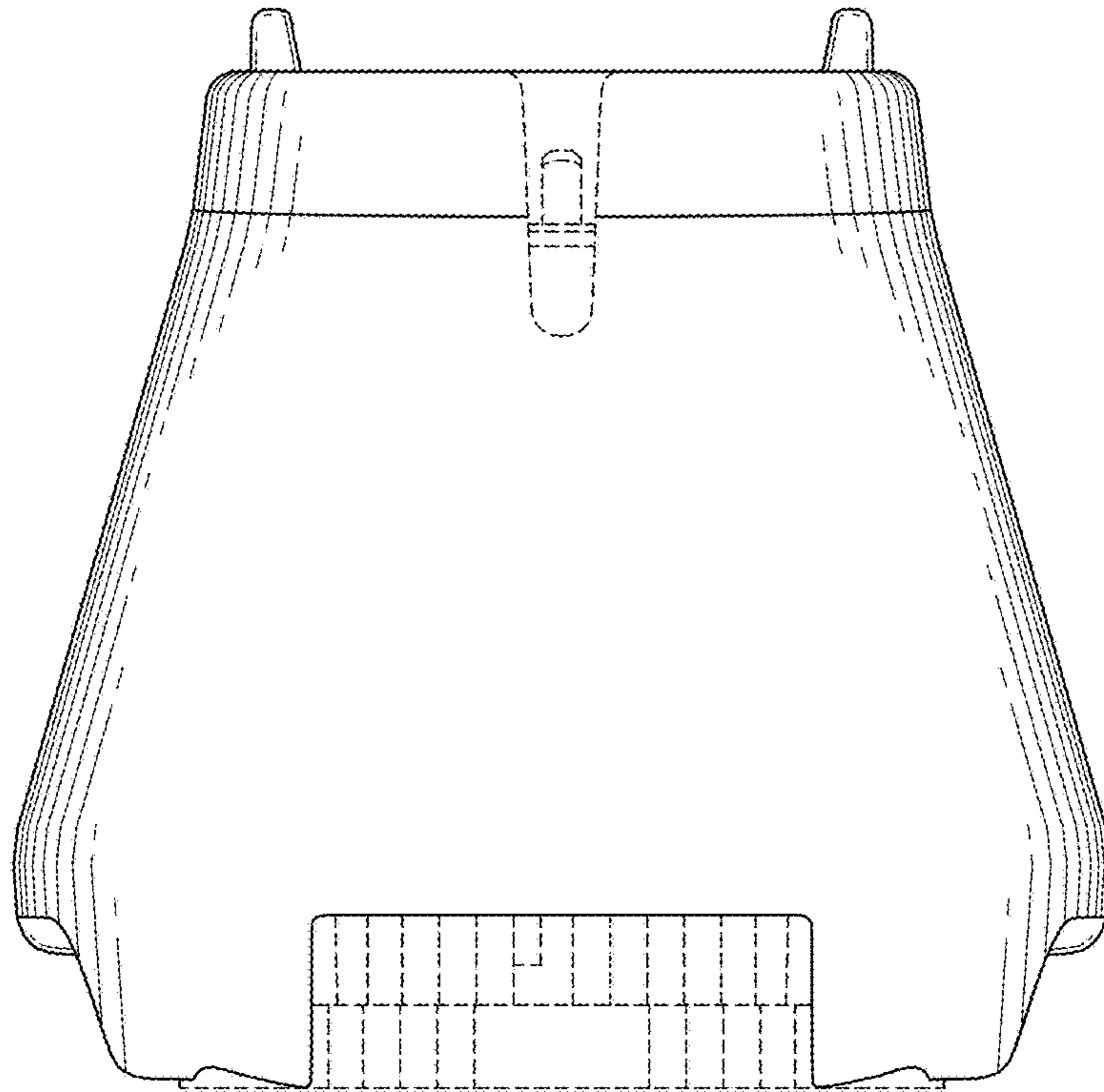


FIG. 4

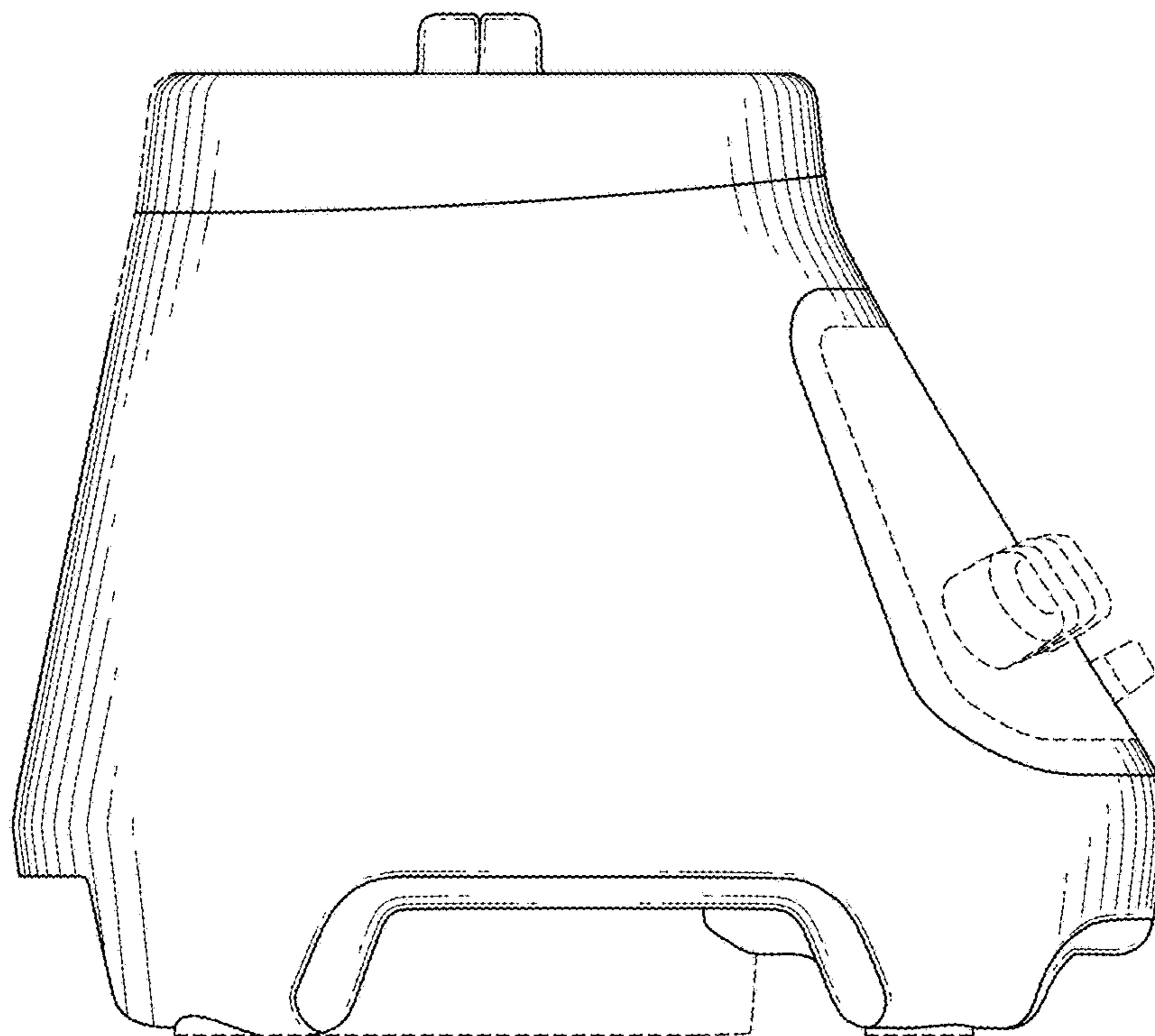


FIG. 5

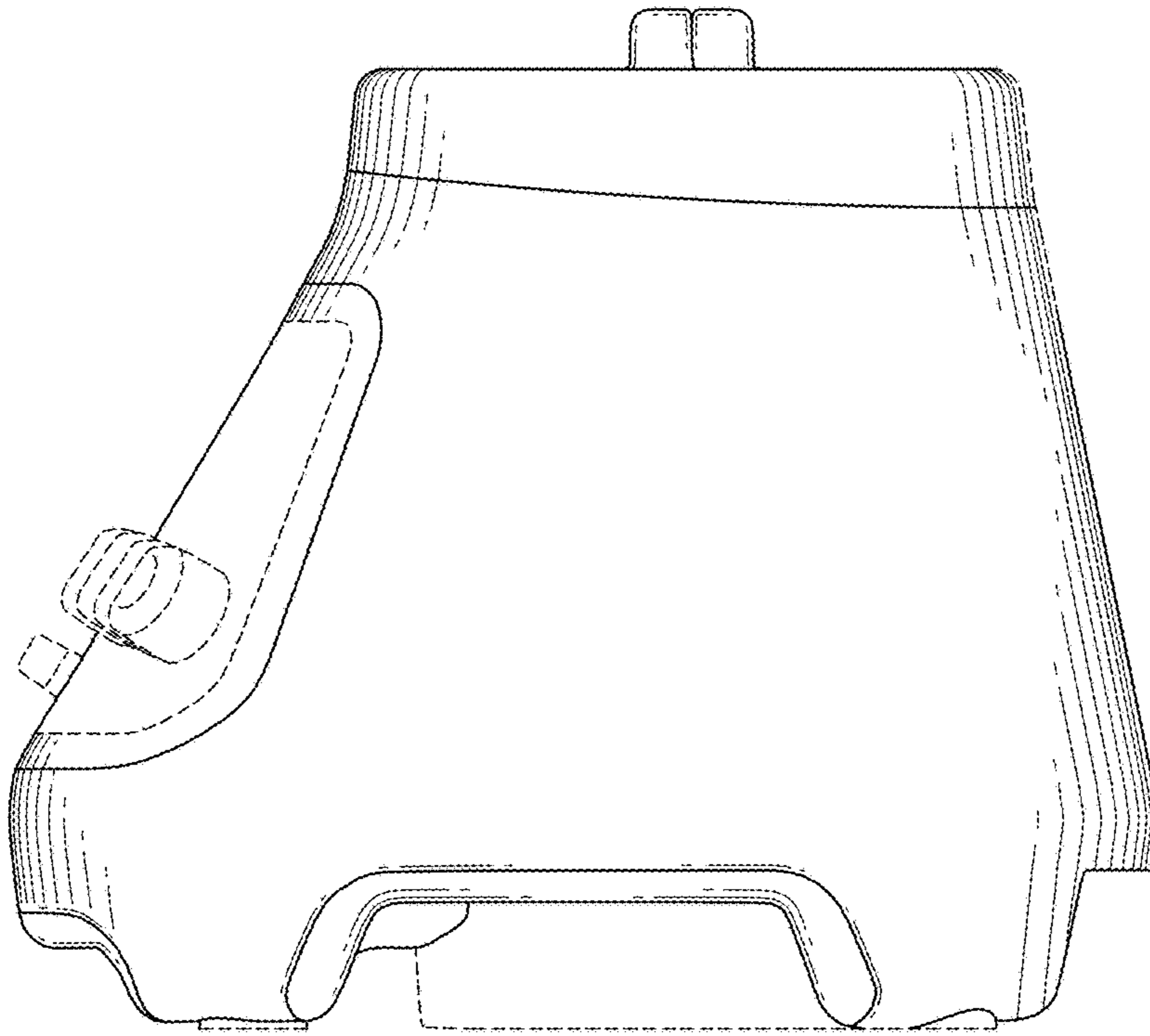


FIG. 6

