



US00D811807S

(12) **United States Design Patent** (10) **Patent No.:** **US D811,807 S**
Gollnick (45) **Date of Patent:** **** Mar. 6, 2018**

(54) **MILK FROTHER**

(56) **References Cited**

(71) Applicant: **K-FEE SYSTEM GMBH**, Bergisch Gladbach (DE)

U.S. PATENT DOCUMENTS

(72) Inventor: **Carsten Frank Gollnick**, Potsdam (DE)

D195,073 S *	4/1963	Freedman	D7/378
D423,872 S *	5/2000	Blaise	D7/378
D487,668 S *	3/2004	Sands	D7/378
D530,975 S *	10/2006	Fernandez	D7/378
D554,427 S *	11/2007	Sands	D7/378
D557,559 S *	12/2007	Sands	D7/413
D712,196 S *	9/2014	Ho	D7/378
D747,915 S *	1/2016	Kim	D7/372
D761,616 S *	7/2016	Picozza	D7/376

(73) Assignee: **K-FEE SYSTEM GMBH**, Bergisch Gladbach (DE)

(**) Term: **15 Years**

* cited by examiner

(21) Appl. No.: **29/586,009**

Primary Examiner — Ricky Pham

(22) Filed: **Nov. 30, 2016**

(74) *Attorney, Agent, or Firm* — The Dobrusin Law Firm, P.C.

(30) **Foreign Application Priority Data**

Nov. 10, 2016 (EM) 003456987

(51) **LOC (11) Cl.** **31-00**

(57) **CLAIM**

(52) **U.S. Cl.**
USPC **D7/386**; D7/376; D7/378; D7/412

The ornamental design for a milk frother, as shown and described.

(58) **Field of Classification Search**

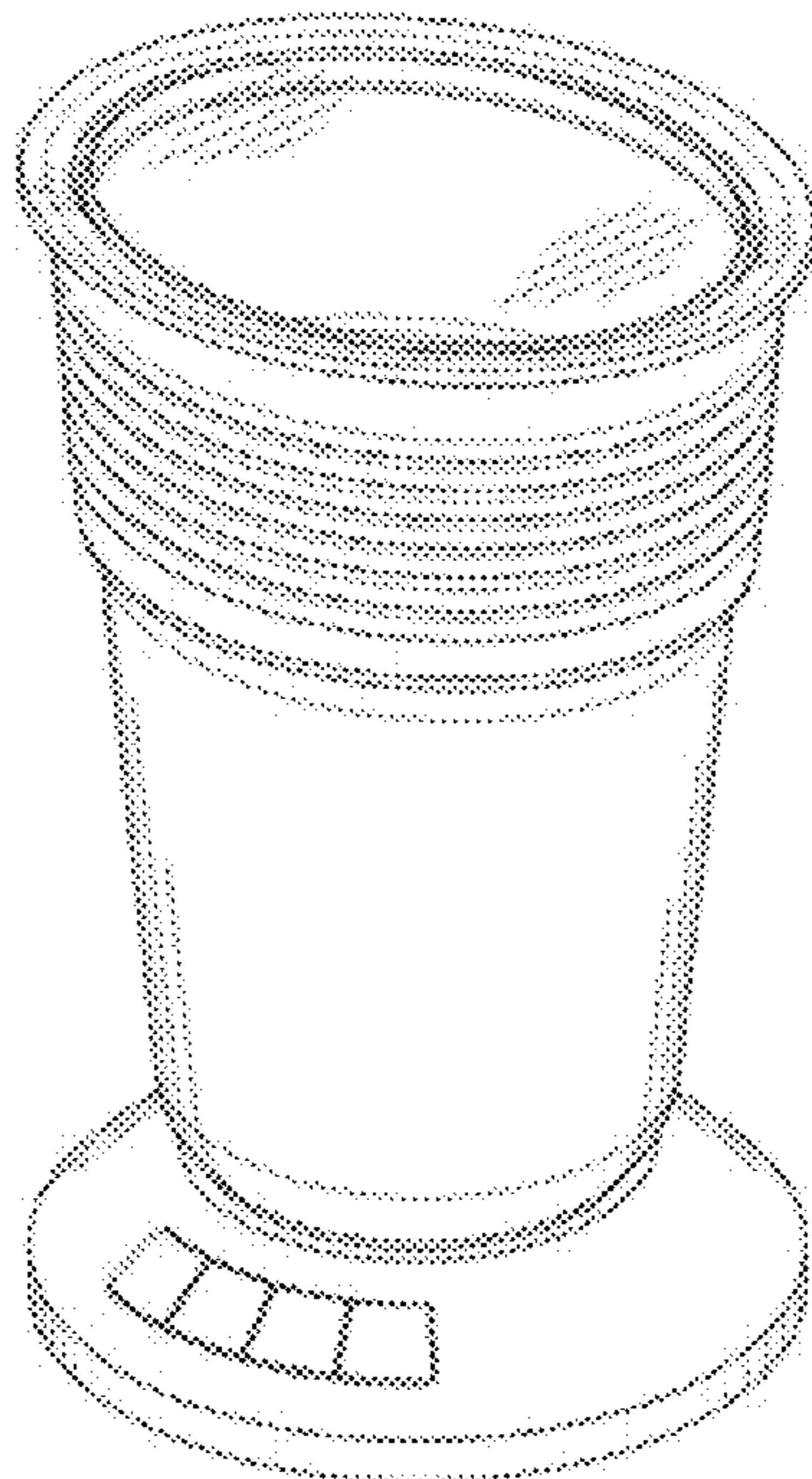
DESCRIPTION

USPC D7/372, 376–386, 412–413, 602, 629, D7/665–666, 669, 679, 693–694
 CPC A21C 1/02; A21C 1/04; A23N 1/00; A23N 1/02; A47J 43/04; A47J 43/25; A47J 43/27; A47J 43/042; A47J 43/044; A47J 43/046; A47J 43/075; A47J 43/0722; A47J 43/0727; B01F 3/00; B01F 3/0807; B01F 3/0853; B01F 13/0059; B01F 13/0064; B02C 1/08; B02C 2/04; B02C 4/42; B02C 4/142; B02C 4/143; B02C 4/423; B02C 13/1835; B28C 5/10; B28C 5/12; B28C 5/14; B28C 5/16

FIG. 1 is a perspective view of a milk frother.
 FIG. 2 is a front view of the milk frother.
 FIG. 3 is a back view of the milk frother.
 FIG. 4 is a side view of the milk frother; the opposite side being a mirror image thereof; and,
 FIG. 5 is a top view of the milk frother.
 A bottom view of the milk frother is not shown and forms no part of the claimed design.

See application file for complete search history.

1 Claim, 3 Drawing Sheets



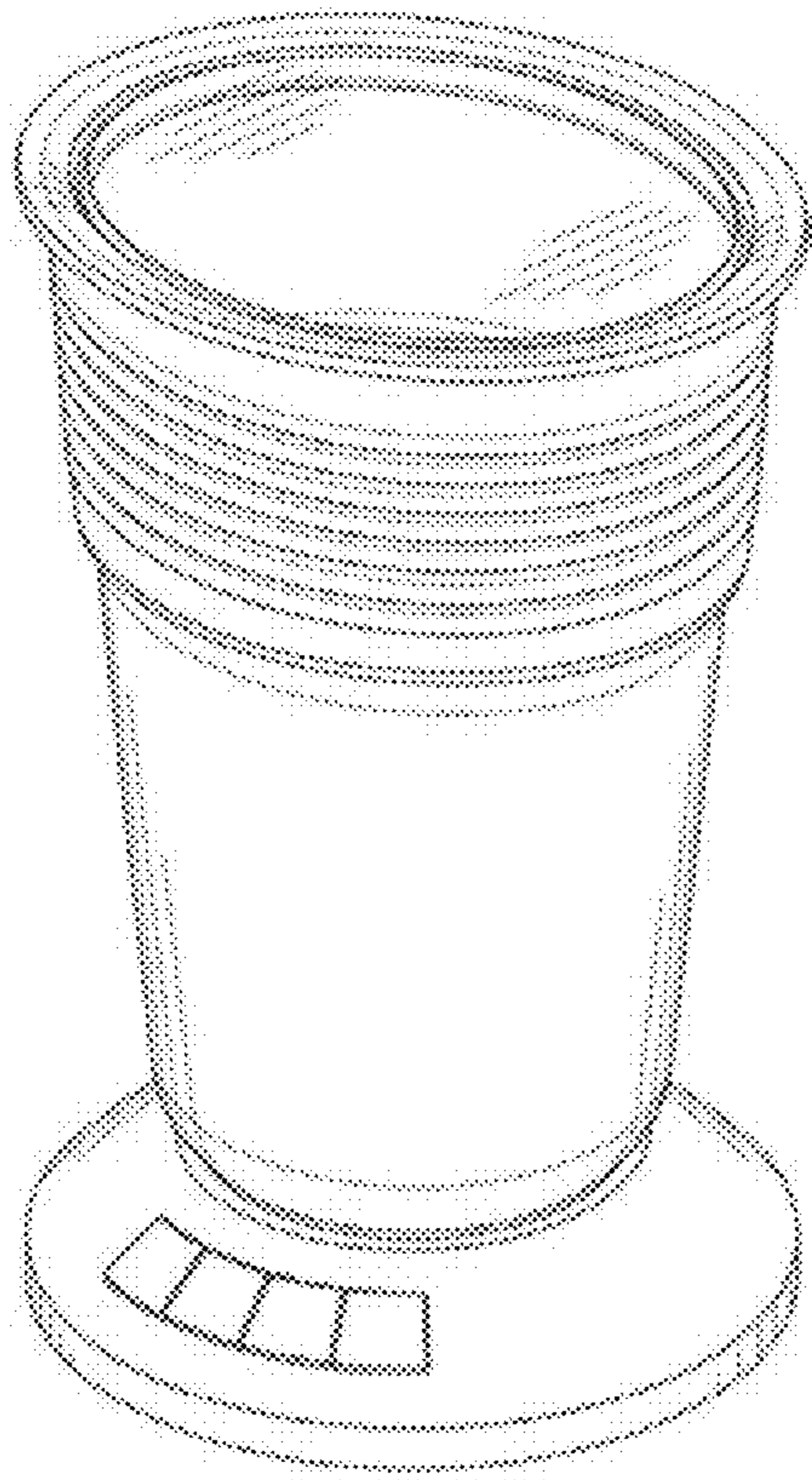


Fig. 1

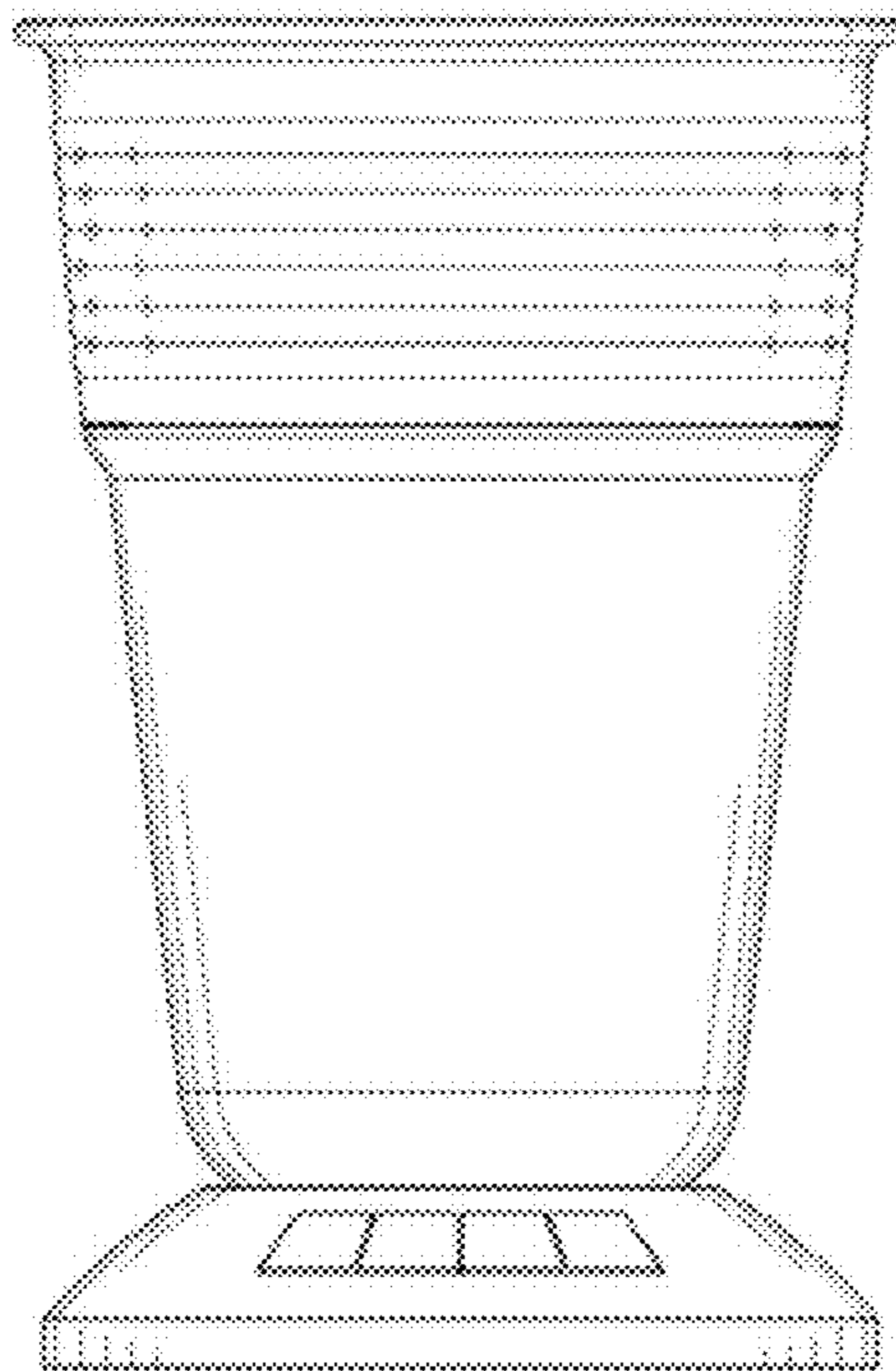


Fig. 2

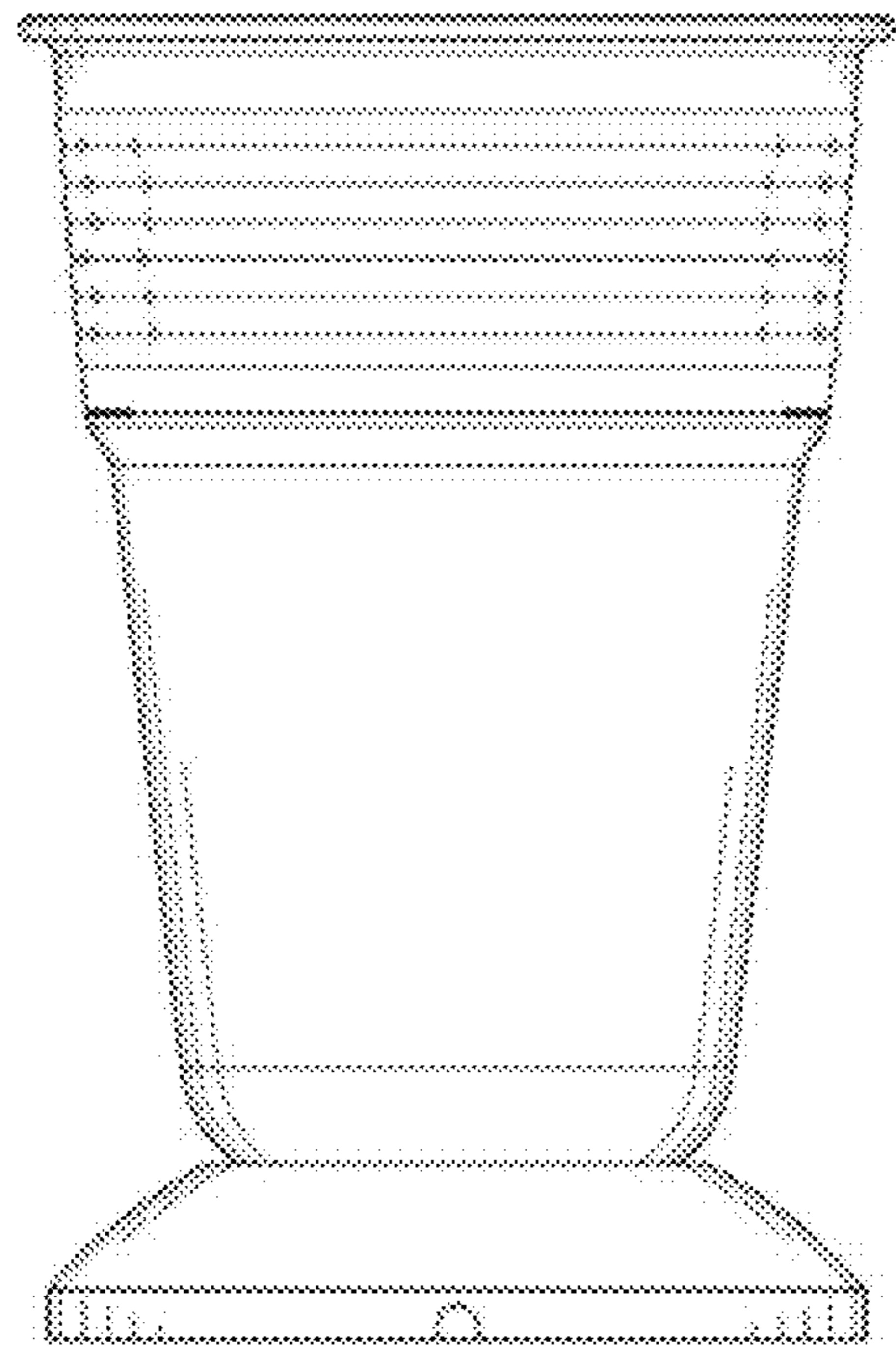


Fig. 3

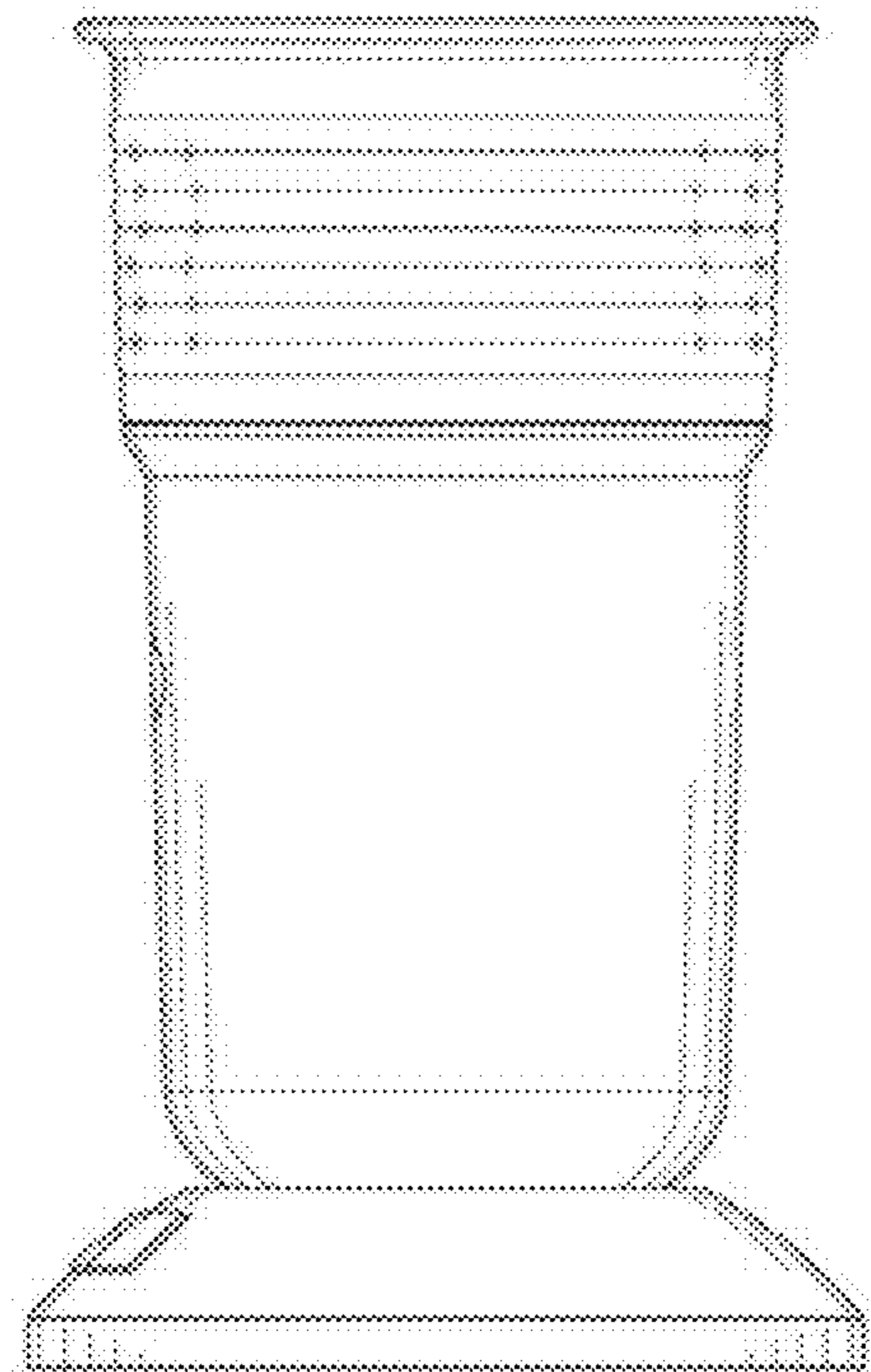


Fig. 4

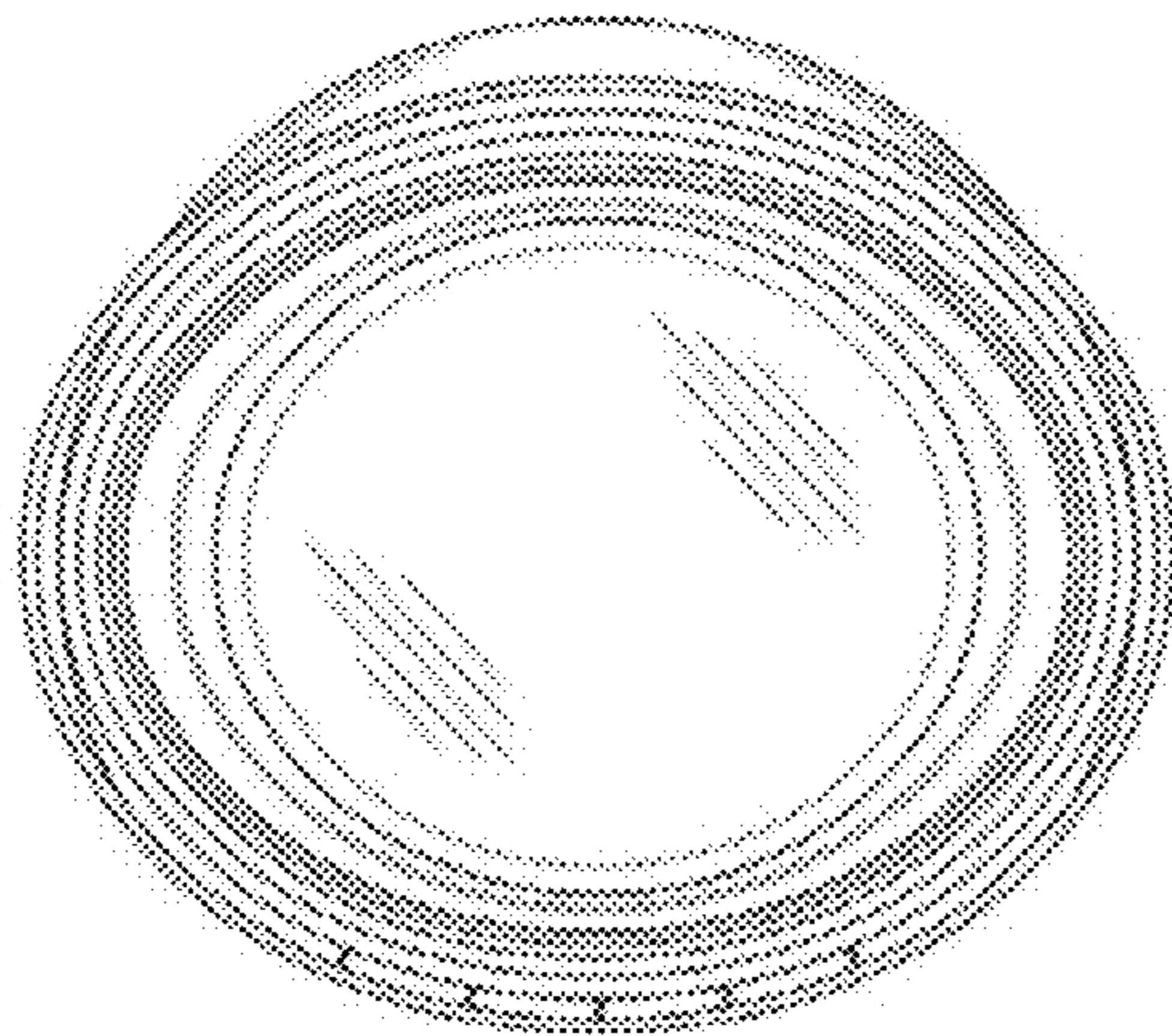


Fig. 5