



US00D811806S

(12) **United States Design Patent** (10) **Patent No.:** **US D811,806 S**
Bock (45) **Date of Patent:** **** *Mar. 6, 2018**

- (54) **BLENDER**
- (71) Applicant: **Hamilton Beach Brands, Inc.**, Glen Allen, VA (US)
- (72) Inventor: **Brian Bock**, Midlothian, VA (US)
- (73) Assignee: **Hamilton Beach Brands, Inc.**, Glen Allen, VA (US)
- (*) Notice: This patent is subject to a terminal disclaimer.
- (**) Term: **15 Years**
- (21) Appl. No.: **29/556,762**
- (22) Filed: **Mar. 3, 2016**
- (51) **LOC (11) Cl.** **31-00**
- (52) **U.S. Cl.**
USPC **D7/386; D7/376**
- (58) **Field of Classification Search**
USPC D7/316, 323, 372-381, 383-384, D7/386-387, 393, 402-415, 602, 629, D7/694
CPC .. A21C 1/02; A21C 1/04; A47J 43/044; A47J 43/046; A47J 43/075; A47J 43/0722; A47J 43/0727; A47J 43/07; A23N 1/02; B01F 3/00; B01F 3/0807; B01F 3/0853
See application file for complete search history.

- D560,963 S * 2/2008 Altheimer D7/378
- D578,340 S * 10/2008 Picozza D7/378
- D587,961 S * 3/2009 Lavy D7/378
- D611,760 S * 3/2010 Ball D7/378
- D616,244 S * 5/2010 Thai D7/378
- D625,141 S * 10/2010 Moore D7/376
- D629,643 S 12/2010 Bower
- D638,256 S * 5/2011 Wu D7/376
- D660,642 S * 5/2012 Boozer D7/376
- D660,643 S * 5/2012 Boozer D7/376
- D667,259 S * 9/2012 Lee D7/376
- D667,260 S * 9/2012 Lee D7/376
- D668,100 S * 10/2012 Palermo D7/376
- D670,532 S * 11/2012 Boozer D7/376
- D674,235 S * 1/2013 Lee D7/376
- D690,152 S * 9/2013 Palermo D7/376
- D702,078 S * 4/2014 Coakley D7/376
- D705,010 S * 5/2014 Coakley D7/412
- D711,682 S * 8/2014 Norland D7/376
- RE45,308 E 12/2014 Kolar et al.
- D730,683 S * 6/2015 Tu D7/376

(Continued)

Primary Examiner — Caron D Veynar
Assistant Examiner — Mehri Bajoul
(74) Attorney, Agent, or Firm — Alexander D. Raring

(57) **CLAIM**

The ornamental design for a blender, as shown and described.

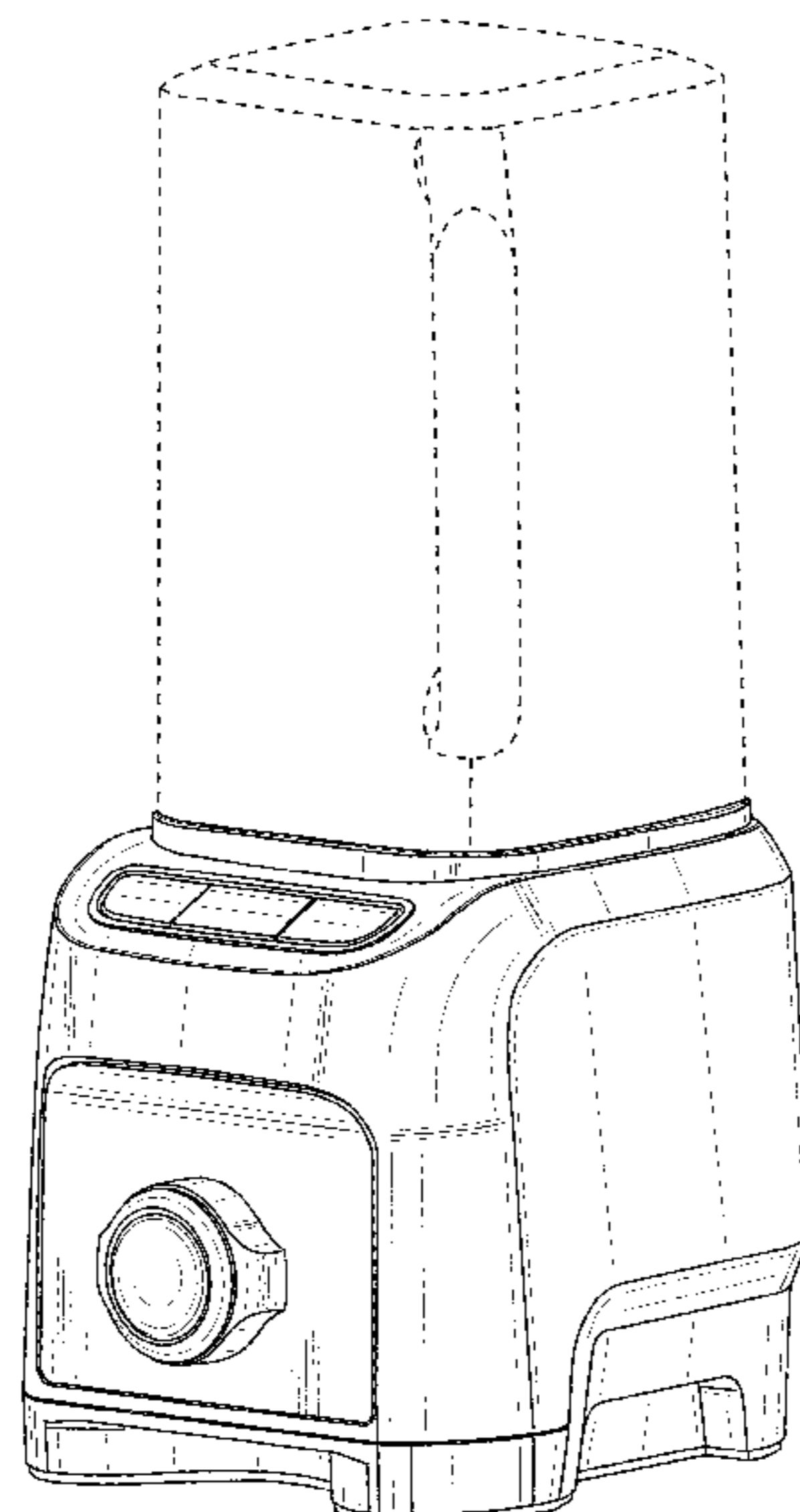
DESCRIPTION

FIG. 1 is a perspective view from the top, front and right side of a blender;
FIG. 2 is front view thereof;
FIG. 3 is a rear view thereof;
FIG. 4 is a left side view thereof;
FIG. 5 is a right side view thereof;
FIG. 6 is a top view thereof; and,
FIG. 7 is a bottom view thereof.
The broken lines represent portions of the blender that form no part of the claimed design.

1 Claim, 7 Drawing Sheets

(56) **References Cited**
U.S. PATENT DOCUMENTS

- D176,257 S * 12/1955 Hiii D7/378
- D181,541 S * 11/1957 Madl D7/378
- D187,684 S * 4/1960 Hauser D7/378
- D200,494 S * 3/1965 Bezark, Jr. D7/378
- D228,698 S * 10/1973 Barnard D7/378
- D484,357 S * 12/2003 Seum D7/378
- D542,085 S * 5/2007 Reyes D7/386
- D556,506 S 12/2007 Spagnolo et al.



(56)

References Cited

U.S. PATENT DOCUMENTS

D733,488	S *	7/2015	Tu	D7/376
D742,683	S *	11/2015	Kim	D7/376
D747,135	S *	1/2016	Ha	D7/376
D749,348	S *	2/2016	Carlson	D7/330
D749,349	S *	2/2016	Carlson	D7/330
D755,003	S *	5/2016	Palermo	D7/376
D755,004	S *	5/2016	Bock	D7/376
D758,787	S *	6/2016	Ou	D7/376
D761,617	S *	7/2016	Dennisur	D7/376
D765,465	S *	9/2016	Du	D7/376
D766,649	S *	9/2016	Suzuki	D7/376
D769,061	S *	10/2016	Diderotto	D7/376
D772,009	S *	11/2016	McConnell	D7/376
D773,248	S *	12/2016	Barquin	D7/376
2003/0213373	A1 *	11/2003	Dickson, Jr.	A47J 43/0716 99/348
2006/0171248	A1	8/2006	Chou	
2014/0217216	A1 *	8/2014	Audette	A47J 43/0722 241/100
2015/0238050	A1 *	8/2015	Lee	A47J 43/046 241/285.2
2016/0331182	A1 *	11/2016	Golino	B02C 25/00

* cited by examiner

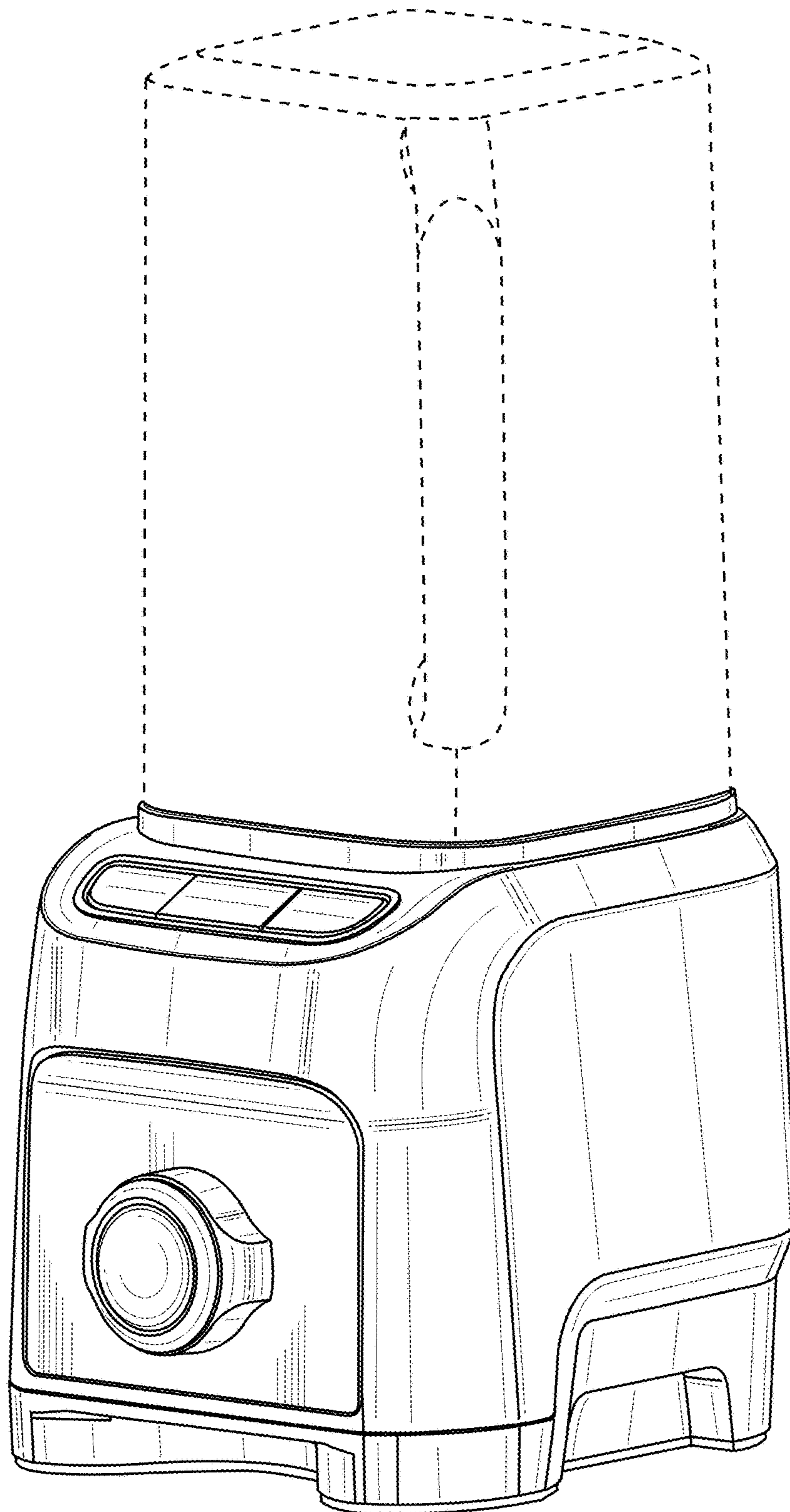


FIG. 1

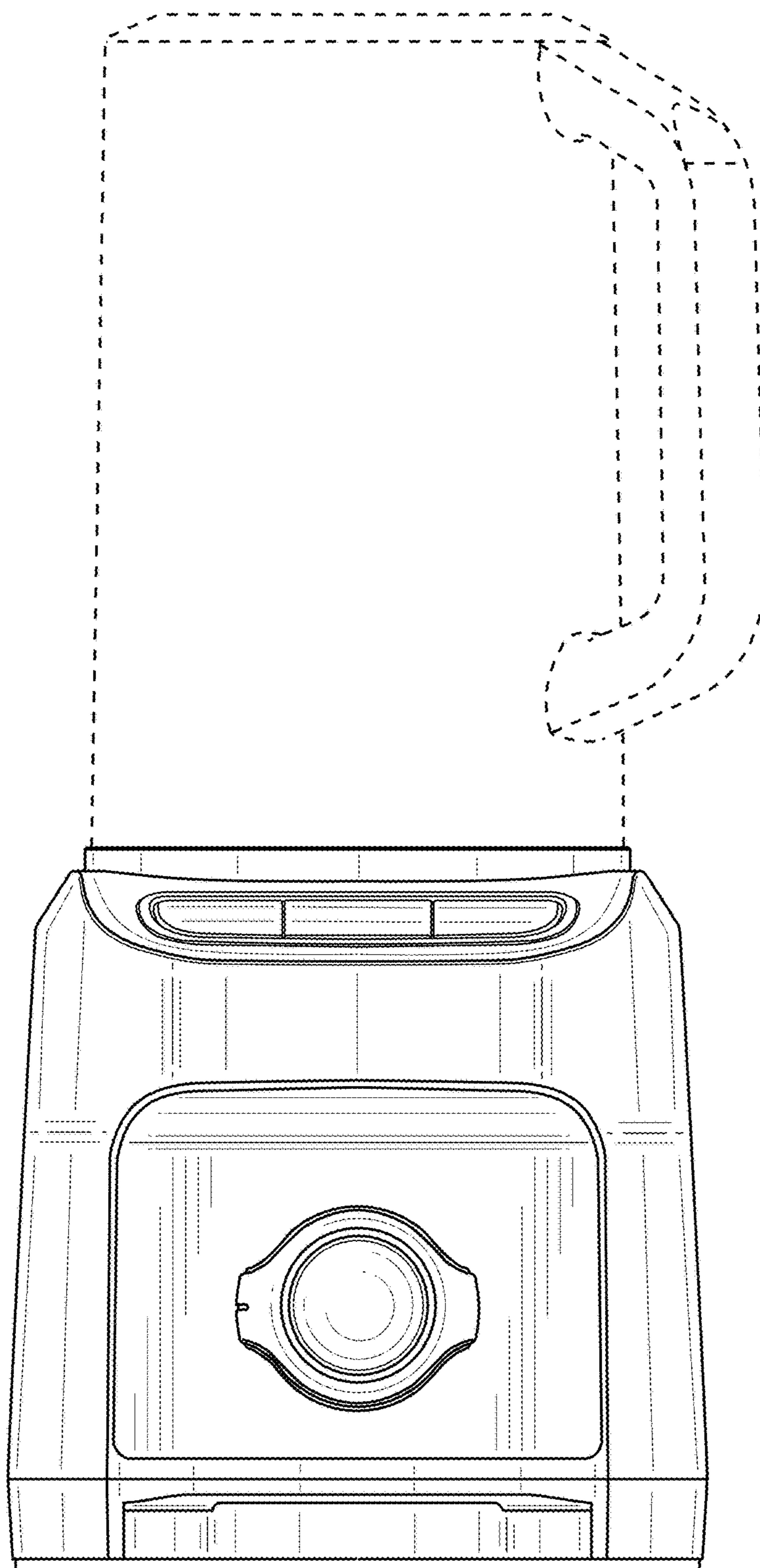


FIG. 2

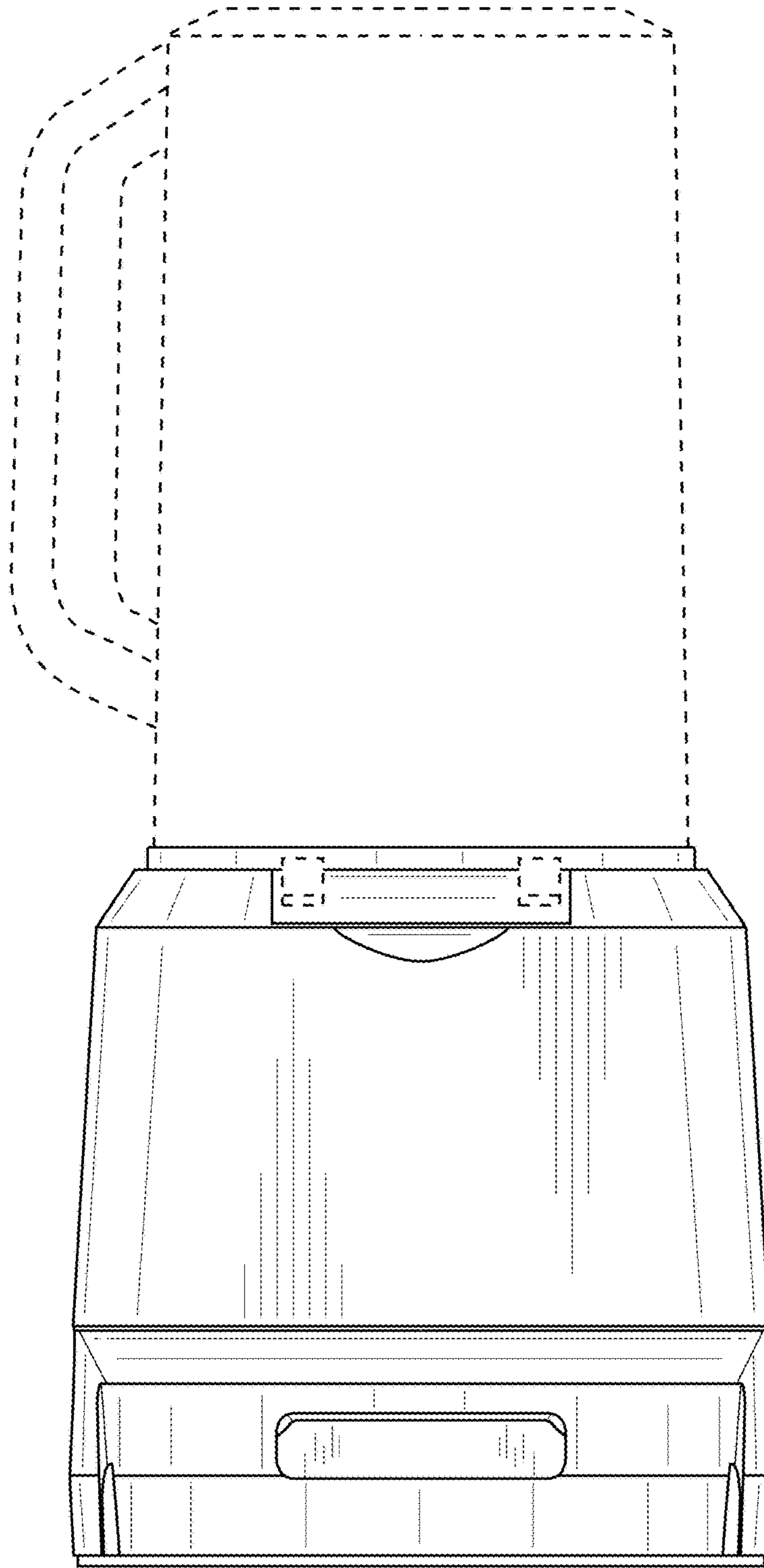


FIG. 3

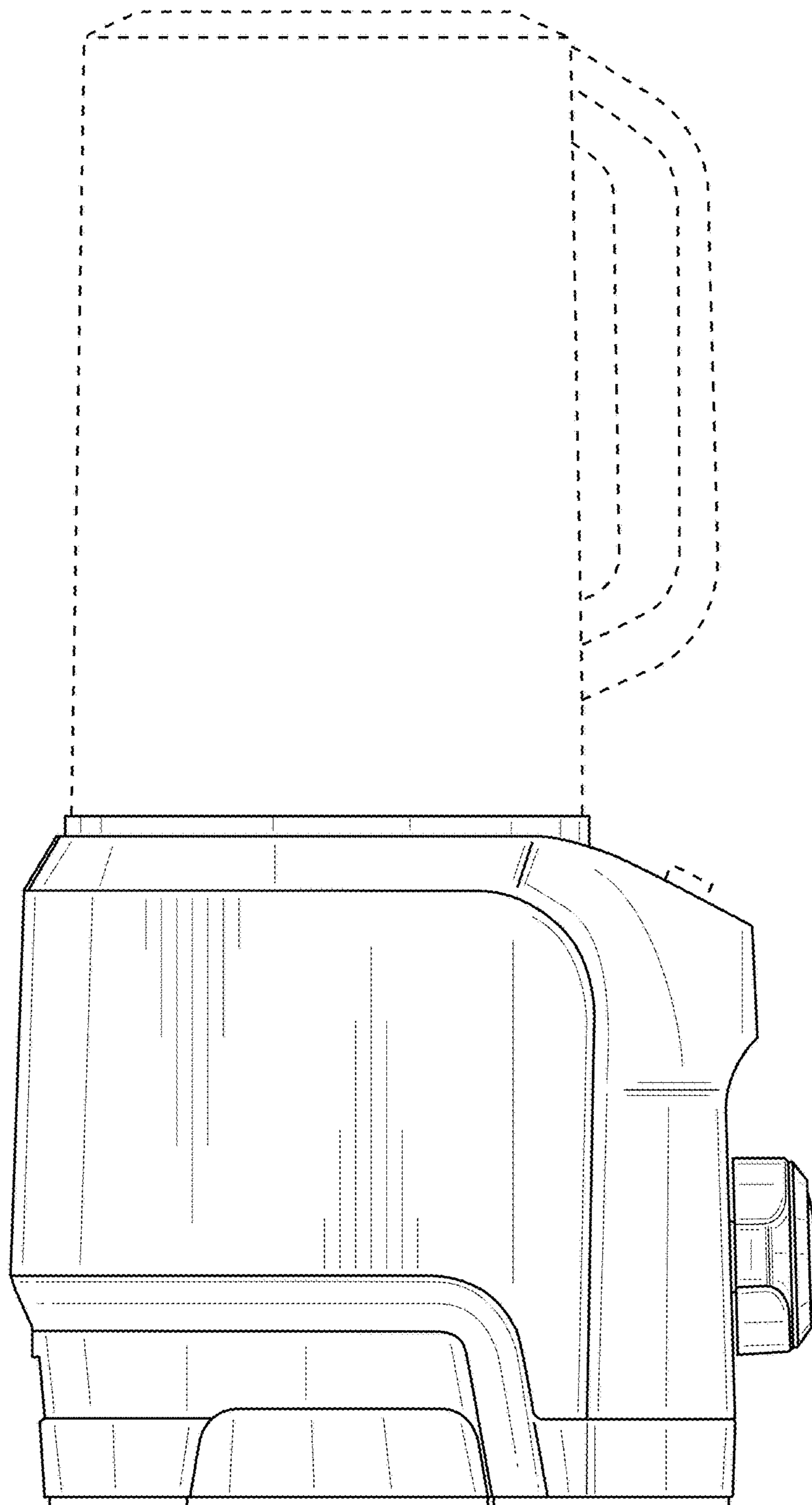


FIG. 4

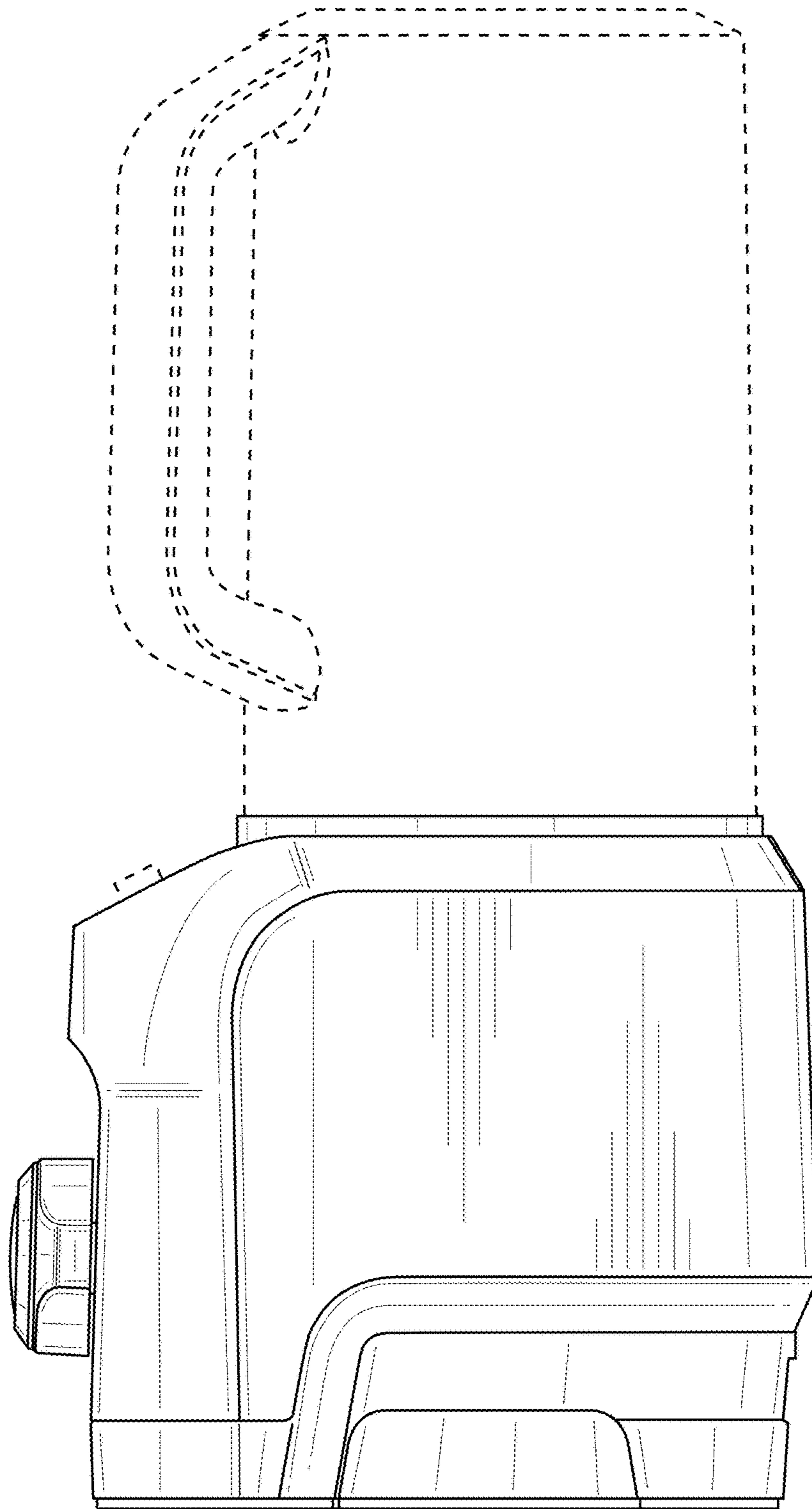


FIG. 5

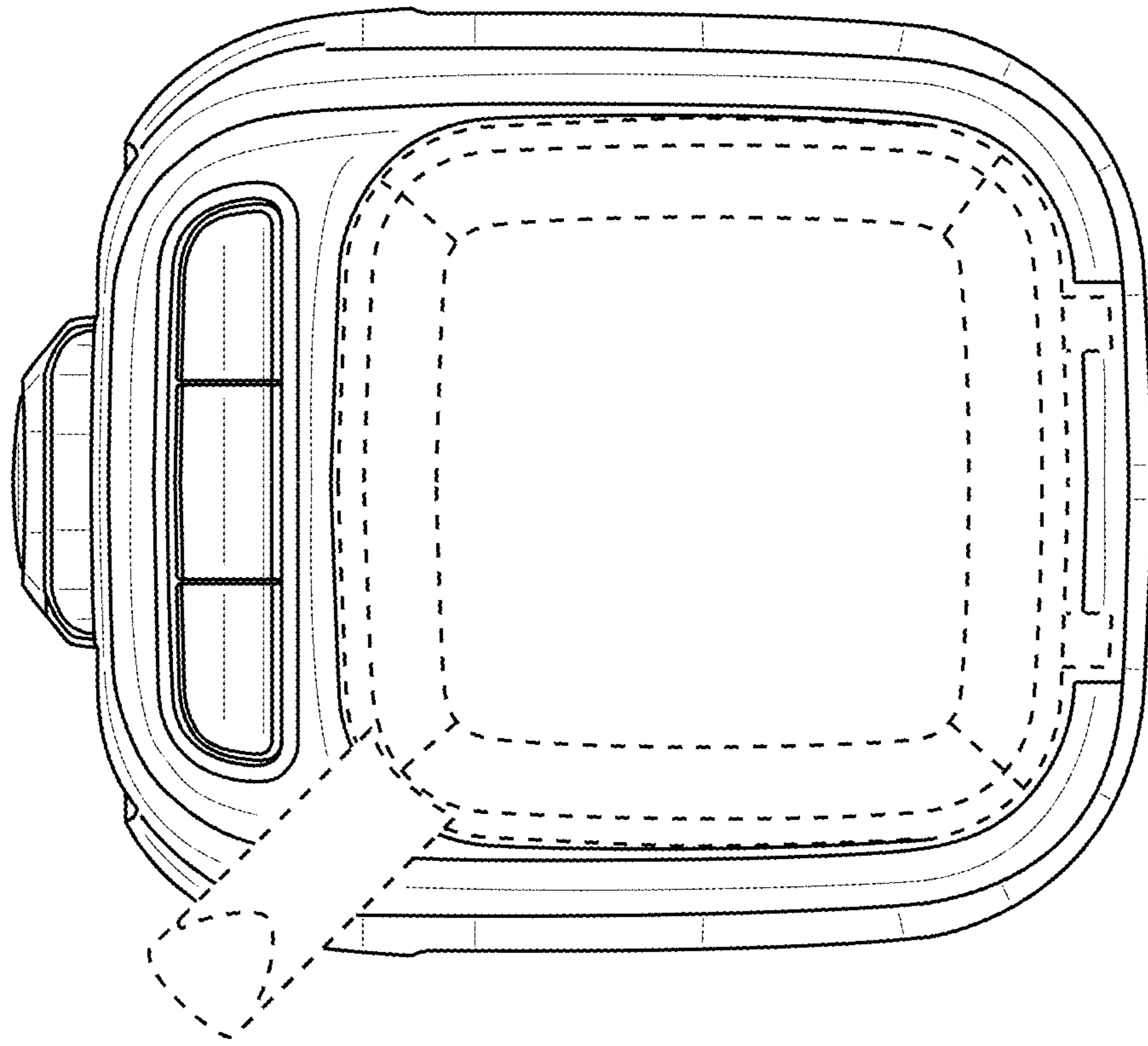


FIG. 6

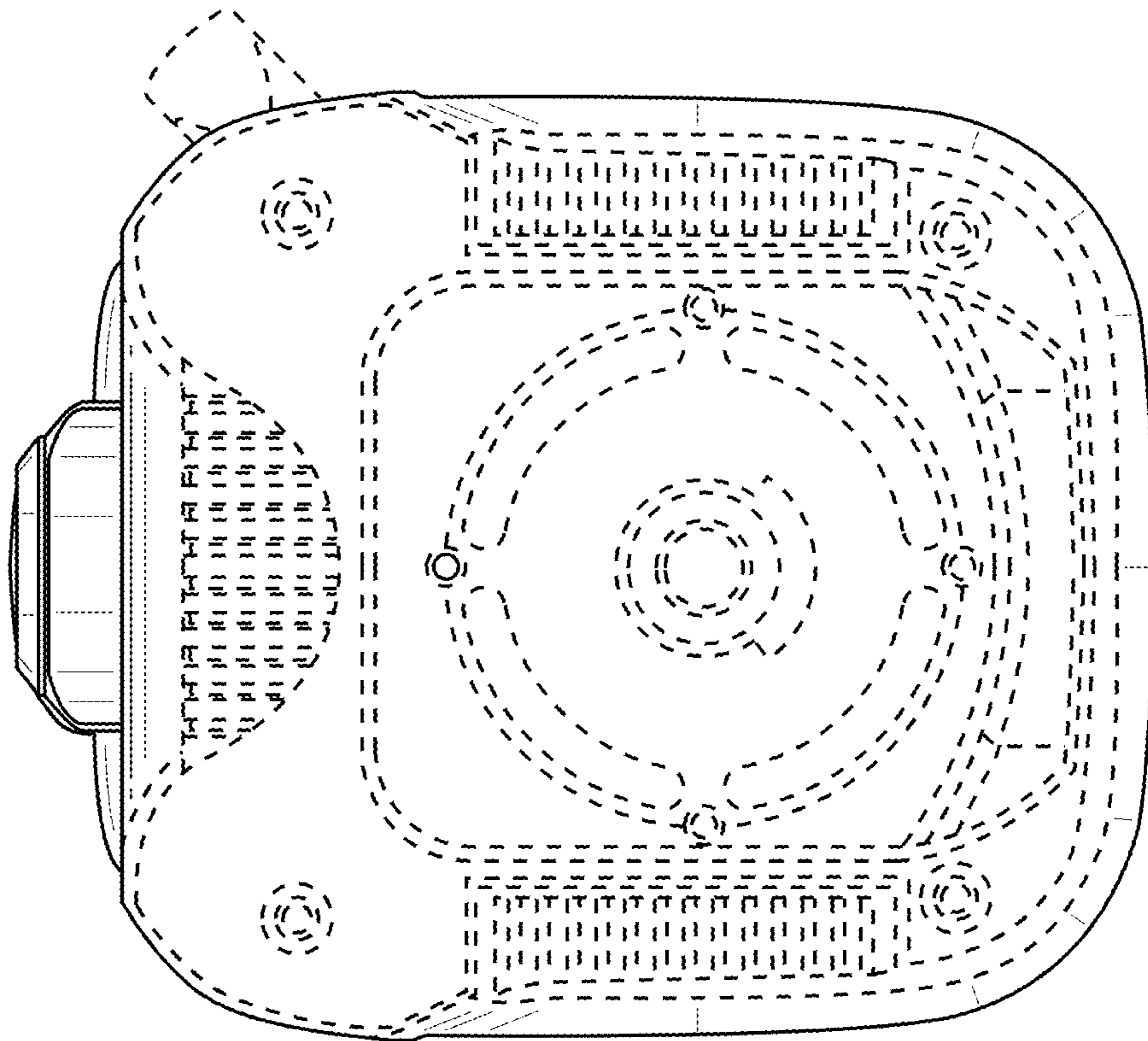


FIG. 7