



US00D811804S

(12) **United States Design Patent** (10) **Patent No.:** **US D811,804 S**  
**Smith** (45) **Date of Patent:** **\*\* Mar. 6, 2018**

(54) **FOOD PROCESSOR AND PARTS THEREOF**

OTHER PUBLICATIONS

(71) Applicant: **SharkNinja Operating LLC**, Newton, MA (US)

Notice of Completion of Formalities for Patent Register and Notice of Grant of Design Patent Right; Chinese Application No. 201730052179X; dated Aug. 2, 2017; 5 Pages.

(72) Inventor: **Cory R. Smith**, Auburndale, MA (US)

(Continued)

(73) Assignee: **SHARKNINJA OPERATING LLC**, Newton, MA (US)

*Primary Examiner* — Ricky Pham

(74) *Attorney, Agent, or Firm* — Cantor Colburn LLP

(\*\*) Term: **15 Years**

(57) **CLAIM**

The ornamental design for food processor and parts thereof, as shown and described.

(21) Appl. No.: **29/576,018**

**DESCRIPTION**

(22) Filed: **Aug. 31, 2016**

(51) **LOC (11) Cl.** ..... **31-00**

(52) **U.S. Cl.**  
USPC ..... **D7/384**; D7/376; D7/378; D7/412;  
D7/413

(58) **Field of Classification Search**  
USPC ..... D7/372, 376–386, 412–413, 602, 629,  
D7/665–666, 669, 679, 693–694  
CPC .... A21C 1/02; A21C 1/04; A23N 1/00; A23N  
1/02; A47J 43/04; A47J 43/25; A47J  
43/27; A47J 43/042; A47J 43/044; A47J  
43/046; A47J 43/075; A47J 43/0722;  
A47J 43/0727; B01F 3/00; B01F 3/0807;  
B01F 3/0853;

FIG. 1 is a perspective view of a food processor, showing our new design in a first embodiment;  
FIG. 2 is a front view of the embodiment shown in FIG. 1;  
FIG. 3 is a rear view of the embodiment shown in FIG. 1;  
FIG. 4 is a side view of the embodiment shown in FIG. 1;  
FIG. 5 is another side view of the embodiment shown in FIG. 1;  
FIG. 6 is a top view of the embodiment shown in FIG. 1;  
FIG. 7 is a bottom view of the embodiment shown in FIG. 1;  
FIG. 8 is a perspective view of a food processor, showing our new design another embodiment;  
FIG. 9 is a front view of the embodiment shown in FIG. 8;  
FIG. 10 is a rear view of the embodiment shown in FIG. 8;  
FIG. 11 is a side view of the embodiment shown in FIG. 8;  
FIG. 12 is another side view of the embodiment shown in FIG. 8;  
FIG. 13 is a top view of the embodiment shown in FIG. 8;  
and,  
FIG. 14 is a bottom view of the embodiment shown in FIG. 8.

(Continued)

(56) **References Cited**

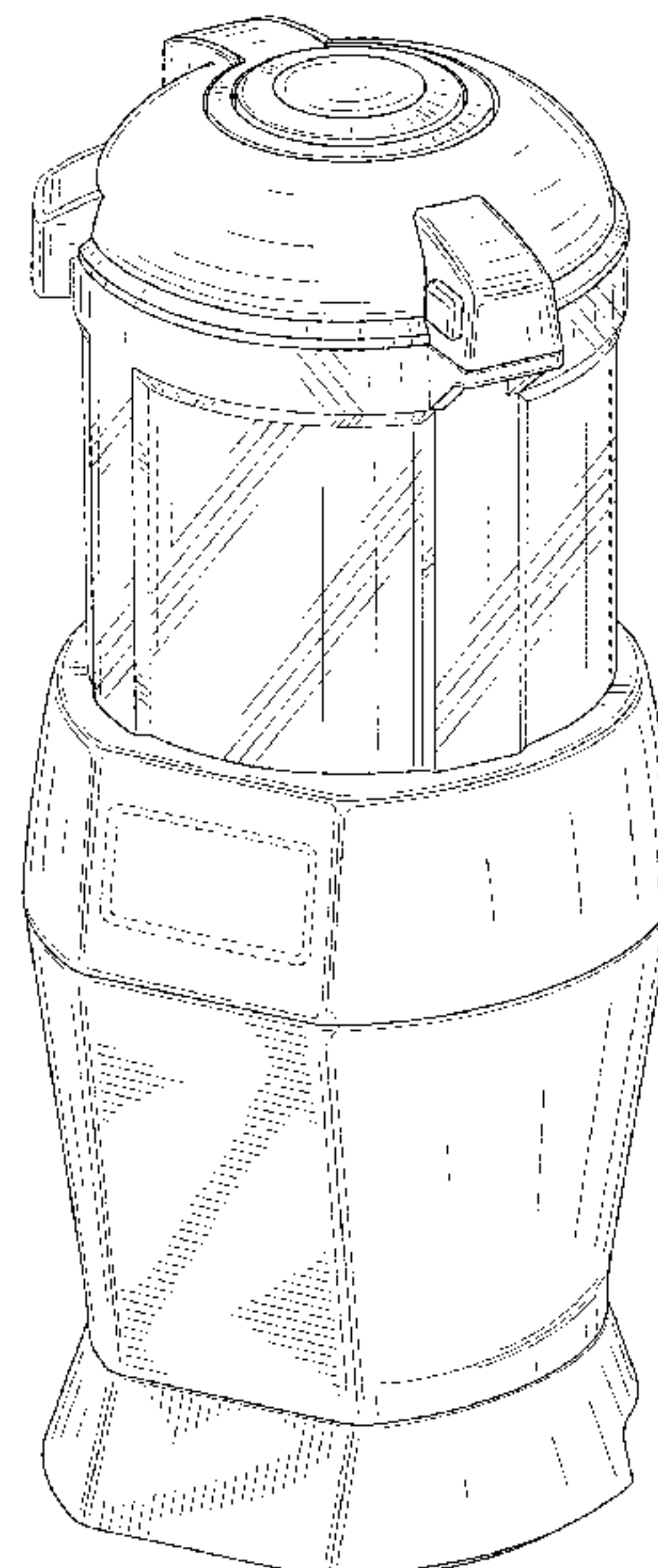
U.S. PATENT DOCUMENTS

D242,208 S 11/1976 Madl et al.  
D404,606 S 1/1999 Huang  
(Continued)

FOREIGN PATENT DOCUMENTS

EM 0013887970002 8/2013

**1 Claim, 12 Drawing Sheets**





- (58) **Field of Classification Search**  
 CPC .... B01F 13/0059; B01F 13/0064; B02C 1/08;  
 B02C 2/04; B02C 4/42; B02C 4/142;  
 B02C 4/143; B02C 4/423; B02C 13/1835;  
 B28C 5/10; B28C 5/12; B28C 5/14;  
 B28C 5/16  
 See application file for complete search history.

(56) **References Cited**

U.S. PATENT DOCUMENTS

D404,607 S 1/1999 Huang  
 D450,978 S 11/2001 Smith  
 D488,344 S 4/2004 Seum et al.  
 D502,047 S 2/2005 Ledingham et al.  
 D512,265 S 12/2005 McCurrach  
 D526,531 S 8/2006 Drees et al.  
 D533,395 S 12/2006 Drees et al.  
 D551,915 S \* 10/2007 Chang Chien ..... D7/378  
 D552,412 S 10/2007 Steiner  
 D552,419 S 10/2007 Picozza et al.  
 D553,904 S 10/2007 Romandy  
 D567,578 S 4/2008 Chiappetta  
 D568,096 S 5/2008 Sun  
 D577,537 S 9/2008 Lee  
 D587,961 S 3/2009 Lavy  
 7,581,668 B2 9/2009 Mally  
 D605,462 S 12/2009 Picozza et al.  
 D611,760 S 3/2010 Ball  
 D617,136 S 6/2010 Bock et al.  
 D617,145 S 6/2010 Picozza et al.  
 D625,141 S 10/2010 Moore  
 D637,870 S 5/2011 Bock  
 D642,857 S 8/2011 Bodum  
 D644,480 S 9/2011 Czach et al.  
 D645,301 S 9/2011 Tse  
 D647,357 S 10/2011 Audette et al.  
 D647,367 S 10/2011 Audette et al.  
 D647,368 S 10/2011 Audette et al.  
 D654,305 S 2/2012 Gursel et al.  
 D655,981 S 3/2012 Gursel et al.  
 D658,430 S 5/2012 Hoare et al.  
 D660,642 S 5/2012 Boozer et al.  
 D667,259 S 9/2012 Lee et al.  
 D667,260 S 9/2012 Lee et al.  
 D667,261 S 9/2012 Lee et al.  
 D668,100 S \* 10/2012 Palermo ..... D7/376  
 D674,235 S 1/2013 Lee et al.  
 D674,658 S 1/2013 Fouquet  
 D677,976 S 3/2013 Palermo et al.  
 D690,152 S \* 9/2013 Palermo ..... D7/376  
 D694,573 S 12/2013 Norland et al.  
 D694,574 S 12/2013 Norland et al.  
 D694,582 S 12/2013 Norland  
 D694,583 S 12/2013 Norland  
 D695,060 S 12/2013 Penaherrera et al.  
 D696,063 S \* 12/2013 Coakley ..... D7/376  
 D702,078 S 4/2014 Coakley et al.  
 D704,502 S 5/2014 Coakley et al.  
 D711,688 S 8/2014 Prats  
 D730,681 S \* 6/2015 Smith ..... D7/376  
 D730,682 S 6/2015 Tu  
 D730,683 S 6/2015 Tu  
 D731,850 S \* 6/2015 Smith ..... D7/376  
 D733,488 S 7/2015 Tu  
 D745,317 S 12/2015 Dichraff et al.  
 9,265,381 B2 2/2016 Beber et al.  
 D755,003 S 5/2016 Palermo et al.  
 D761,617 S \* 7/2016 Dennisur ..... D7/376  
 D765,462 S 9/2016 Davies  
 D765,465 S 9/2016 Du  
 D766,649 S 9/2016 Suzuki  
 D771,999 S 11/2016 Kettavong et al.  
 D772,011 S 11/2016 Barquin et al.  
 D772,650 S 11/2016 Barquin et al.  
 D773,247 S 12/2016 Barquin et al.  
 D773,248 S 12/2016 Barquin et al.

D773,249 S 12/2016 Barquin et al.  
 D786,613 S \* 5/2017 McConnell ..... D7/376  
 D786,614 S \* 5/2017 Smith ..... D7/376  
 D786,615 S \* 5/2017 Tsai ..... D7/376  
 D787,882 S \* 5/2017 McConnell ..... D7/376  
 D789,735 S \* 6/2017 Palermo ..... D7/376  
 D789,736 S \* 6/2017 Palermo ..... D7/376  
 2008/0089170 A1 4/2008 Larsen et al.  
 2008/0089171 A1 4/2008 Larsen et al.  
 2008/0219089 A1 9/2008 Sandford et al.  
 2009/0129200 A1 5/2009 Breviere et al.  
 2010/0246319 A1 9/2010 Pryor, Jr. et al.

OTHER PUBLICATIONS

Notification of Reasons for Rejection; Japanese Design Application No. 2017-003904; dated Jun. 9, 2017; 3 Pages.  
 Notification of Reasons for Rejection; Japanese Design Application No. 2017-003905; dated Jun. 9, 2017; 3 Pages.  
 Application for Registration of an Industrial Design Examiner's Report; Canadian Application No. 172856; dated May 31, 2017; 3 Pages.  
 Application for Registration of an Industrial Design Examiner's Report; Canadian Application No. 172857; dated May 31, 2017; 3 Pages.  
 Design No. 28449; Soviet Design Gazette; vol. 3; Published: Sep. 15, 1990; pp. 180-181.  
 Japanese Design No. D1491535 (S); Publication Date: Mar. 3, 2014; Machine Translation; 9 Pages.  
 Japanese Design No. D1491536 (S); Publication Date: Mar. 3, 2014; Machine Translation; 9 Pages.  
 Japanese Design No. D1518840 (S); Publication Date: Mar. 9, 2015; Machine Translation; 10 Pages.  
 Japanese Design No. D1523840 (S); Publication Date: May 18, 2015; Machine Translation; 9 Pages.  
 Japanese Design No. D1528172 (S); Publication Date: Jul. 6, 2015; Machine Translation; 9 Pages.  
 Japanese Design No. D1533047 (S); Publication Date: Sep. 7, 2015; Machine Translation; 9 Pages.  
 Notice of Allowance; Blender Base; U.S. Appl. No. 29/531,840, filed Jun. 30, 2015; dated Oct. 4, 2016; 7 Pages.  
 Notice of Allowance; Blender Base; U.S. Appl. No. 29/531,840, filed Jun. 30, 2015; dated Nov. 25, 2016; 11 Pages.  
 Notice of Allowance; Blender Base; U.S. Appl. No. 29/531,840, filed Jun. 30, 2015; dated Feb. 16, 2016; 11 Pages.  
 Notice of Allowance; Blender; U.S. Appl. No. 29/519,682, filed Mar. 6, 2015; dated Aug. 12, 2016; 6 Pages.  
 Notice of Allowance; Blender; U.S. Appl. No. 29/519,682, filed Mar. 6, 2015; dated Sep. 23, 2016; 12 Pages.  
 Notice of Allowance; Blender; U.S. Appl. No. 29/527,670, filed May 21, 2015; dated Aug. 9, 2016; 7 Pages.  
 Notice of Allowance; Blender; U.S. Appl. No. 29/527,670, filed May 21, 2015; dated Sep. 27, 2016; 12 Pages.  
 Notice of Allowance; U.S. Appl. No. 29/519,682, filed Mar. 6, 2015; Blender; dated Jan. 9, 2017; 11 Pages.  
 Notice of Allowance; U.S. Appl. No. 29/527,670, filed May 21, 2015; Blender; dated Jan. 9, 2017; 11 Pages.  
 Notice of Completion of Formalities for Patent Register and Notice of Grant of Design Patent Right; Chinese Application No. 2017300502943; dated Jun. 19, 2017; 5 Pages.  
 Notice of Completion of Formalities for Patent Register and Notice of Grant of Design Patent Right; Chinese Application No. 2017300505640; dated Jul. 11, 2017; 5 Pages.  
 Notice of Completion of Formalities for Patent Register and Notice of Grant of Design Patent Right; Chinese Application No. 201730050566X; dated Jul. 10, 2017; 5 Pages.  
 Notice of Completion of Formalities for Patent Register and Notice of Grant of Design Patent Right; Chinese Application No. 2017300523386; dated Jun. 6, 2017; 5 Pages.  
 Notice of Completion of Formalities for Patent Register and Notice of Grant of Design Patent Right; Chinese Application No. 2017300541897; dated Jul. 18, 2017; 5 Pages.



(56)

**References Cited**

## OTHER PUBLICATIONS

Notice of Completion of Formalities for Patent Register and Notice of Grant of Design Patent Right; Chinese Application No. 2017300544679; dated Jul. 6, 2017; 5 Pages.

Notice of Completion of Formalities for Patent Register and Notice of Grant of Design Patent Right; Chinese Application No. 2017300546640; dated Jun. 21, 2017; 5 Pages.

Notice of References; Japanese Design Application No. 2015-19809; dated Jan. 8, 2016; 2 Pages.

Notice of References; Japanese Design Application No. 2015-19810; dated Jan. 8, 2016; 2 Pages.

Notice of References; Japanese Design Application No. 2015-19811; dated Jan. 8, 2016; 2 Pages.

Notice of References; Japanese Design Application No. 2015-19812; dated Jan. 8, 2016; 2 Pages.

Notice of References; Japanese Design Application No. 2015-19813; dated Jan. 8, 2016; 2 Pages.

Notice of References; Japanese Design Application No. 2015-19814; dated Jan. 8, 2016; 2 Pages.

Notice of References; Japanese Design Application No. 2015-19815; dated Jan. 8, 2016; 2 Pages.

Notice of References; Japanese Design Application No. 2015-19816; dated Jan. 8, 2016; 2 Pages.

Notice of References; Japanese Design Application No. 2015-19817; dated Jan. 8, 2016; 2 Pages.

Requirement for Restriction/Election; Blender; U.S. Appl. No. 29/519,682, filed Mar. 6, 2015; 6 Pages.

Requirement for Restriction/Election; Blender; U.S. Appl. No. 29/527,670, filed May 21, 2015; 6 Pages.

Requirement for Restriction/Election; Blender; U.S. Appl. No. 29/531,840, filed Jun. 30, 2015; 7 Pages.

Requirement for Restriction/Election; U.S. Appl. No. 29/576,020, filed Aug. 31, 2016; Food Processor and Parts Thereof; dated Jul. 5, 2017; 7 Pages.

Requirement for Restriction/Election; U.S. Appl. No. 29/576,021, filed Aug. 31, 2016; Food Processor and Parts Thereof; dated Jul. 6, 2017; 7 Pages.

Walmart; "Oster 600-Watt Fusion Blender, BRLY07-B00-000"; URL: <http://www.walmart.com/ip/Oster-600-Watt-Fusion-Blender/9604653>; URL Accessed: Jul. 29, 2017; 8 Pages.

Notice of Completion of Formalities for Patent Register and Notice of Grant of Design Patent Right; Chinese Application No. 2017300521056; dated Aug. 29, 2017; 5 Pages.

Notice of Decision for Design Registration; Korean Design Application No. 30-2017-0009475; dated Aug. 18, 2017; 6 Pages.

Notice of Decision for Design Registration; Korean Design Application No. 30-2017-0009476; dated Sep. 11, 2017; 6 Pages.

Notice of Decision for Design Registration; Korean Design Application No. 30-2017-0009477; dated Aug. 18, 2017; 6 Pages.

Notice of Decision for Design Registration; Korean Design Application No. 30-2017-0009479; dated Aug. 22, 2017; 6 Pages.

Notice of Decision for Design Registration; Korean Design Application No. 30-2017-0009482; dated Aug. 22, 2017; 6 Pages.

Notice of Decision for Design Registration; Korean Design Application No. 30-2017-0009483; dated Aug. 18, 2017; 6 Pages.

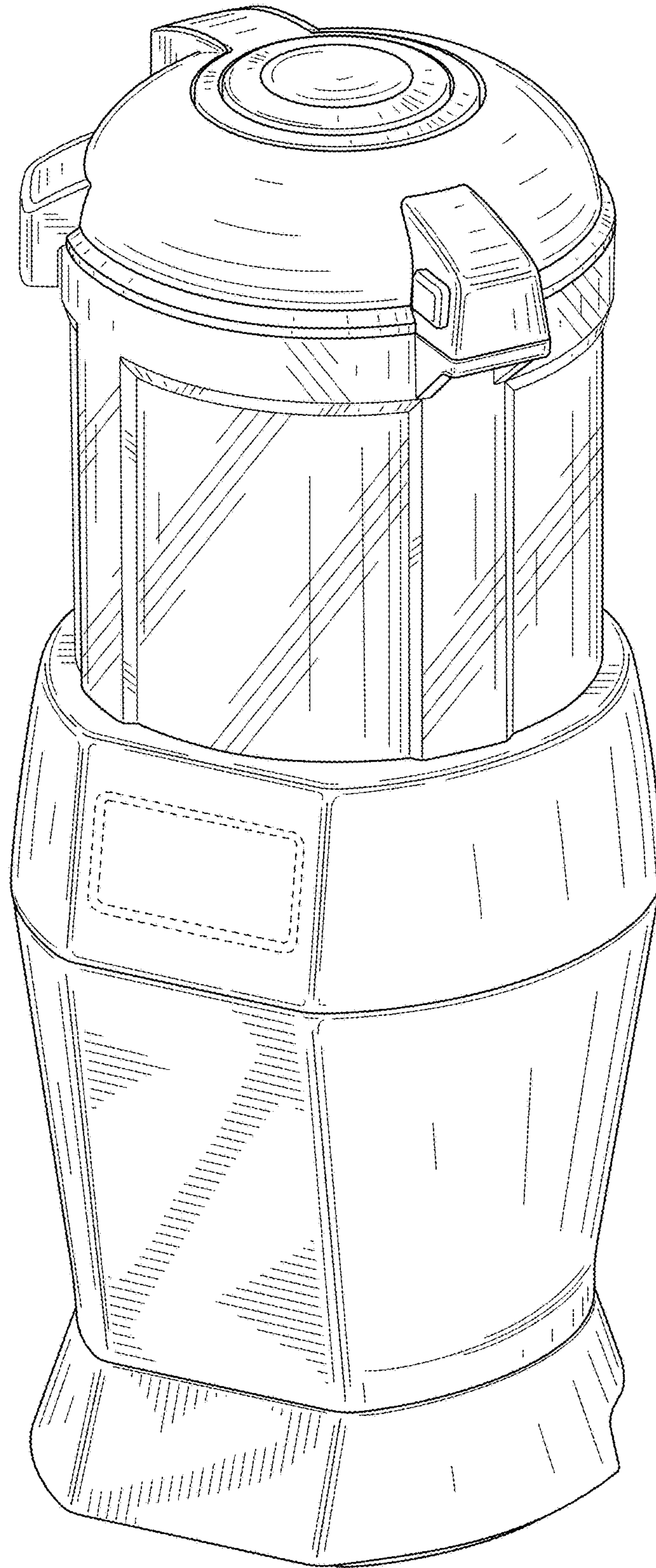
Notice of Decision for Design Registration; Korean Design Application No. 30-2017-0009486; dated Aug. 22, 2017; 6 Pages.

Notice of Decision for Design Registration; Korean Design Application No. 30-2017-0009488; dated Aug. 22, 2017; 6 Pages.

Notice of Preliminary Rejection; Korean Application No. 30-2017-0009484; dated Aug. 18, 2017; 7 Pages.

Notice of Preliminary Rejection; Korean Application No. 30-2017-0009485; dated Aug. 18, 2017; 6 Pages.

\* cited by examiner



**FIG. 1**

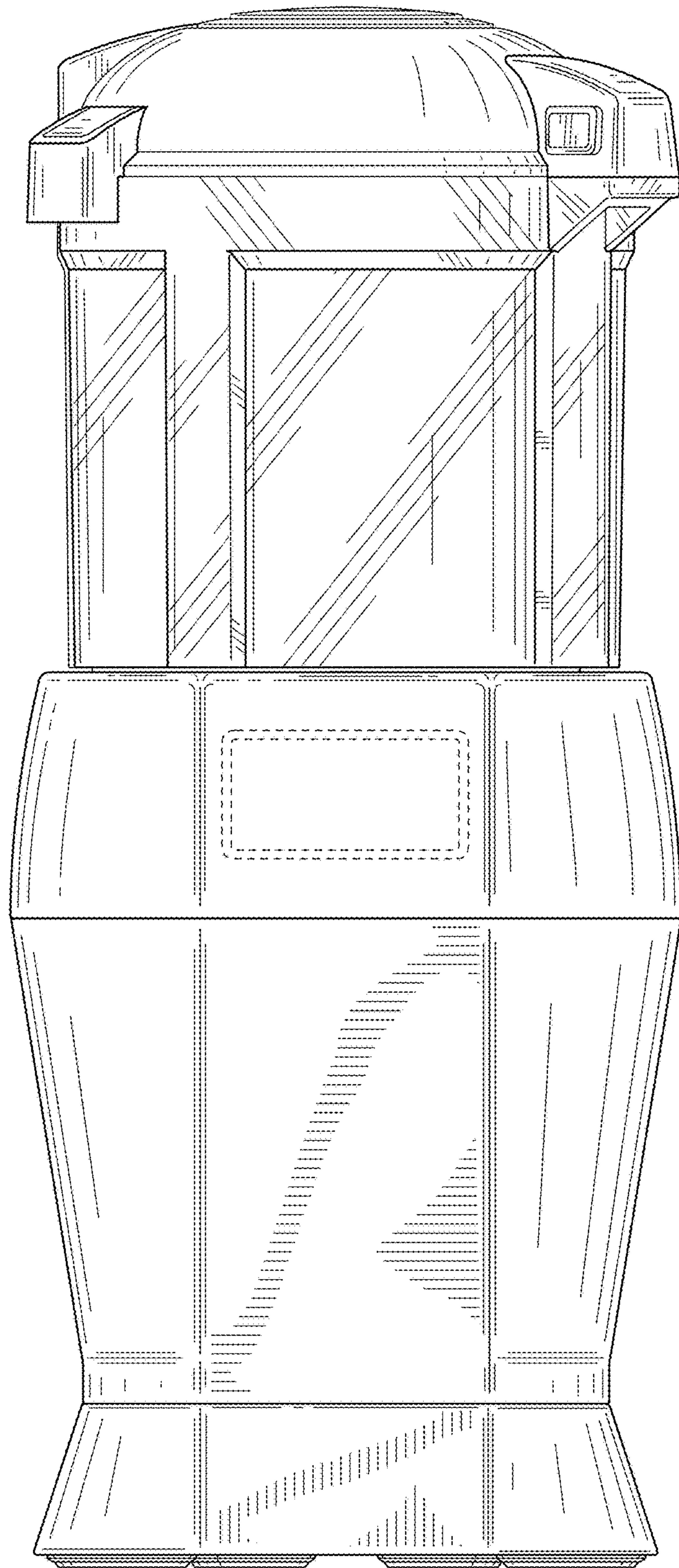


FIG. 2



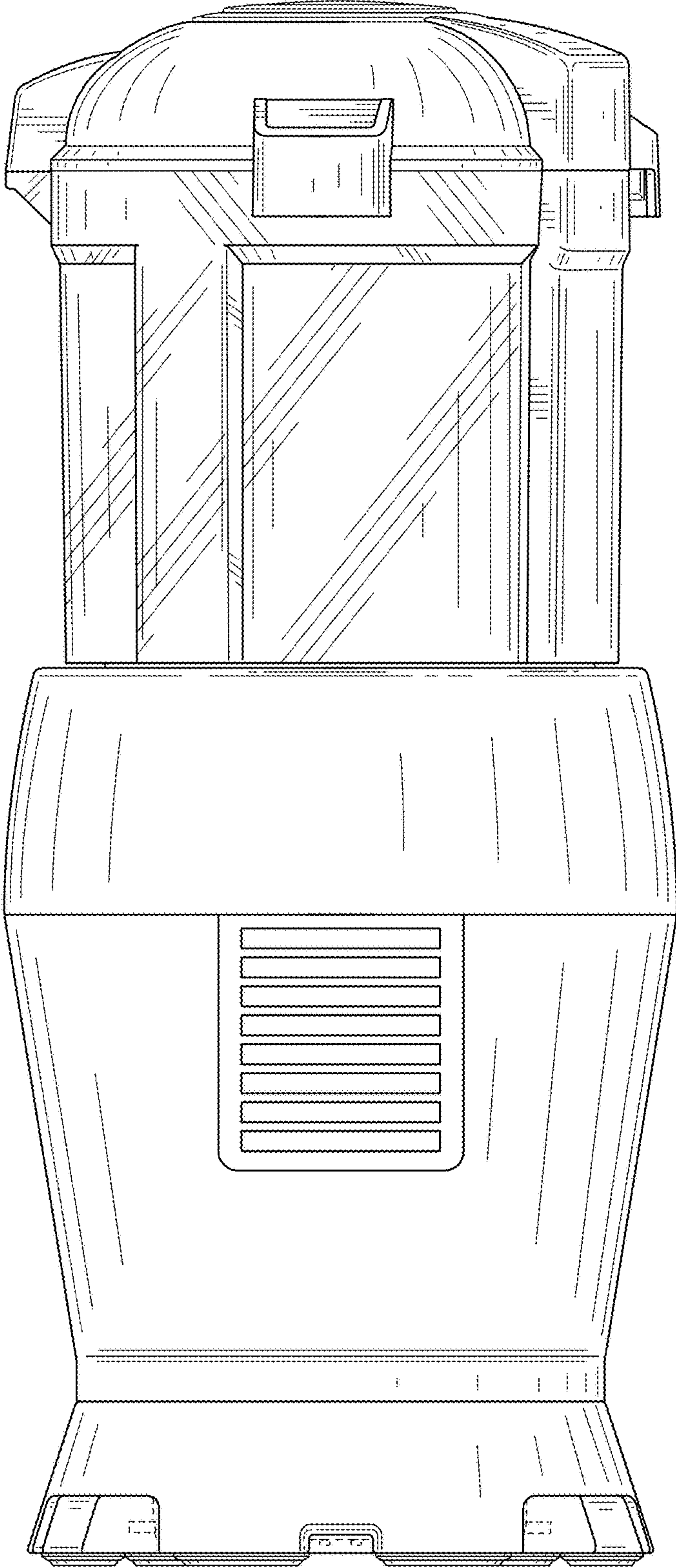


FIG. 3

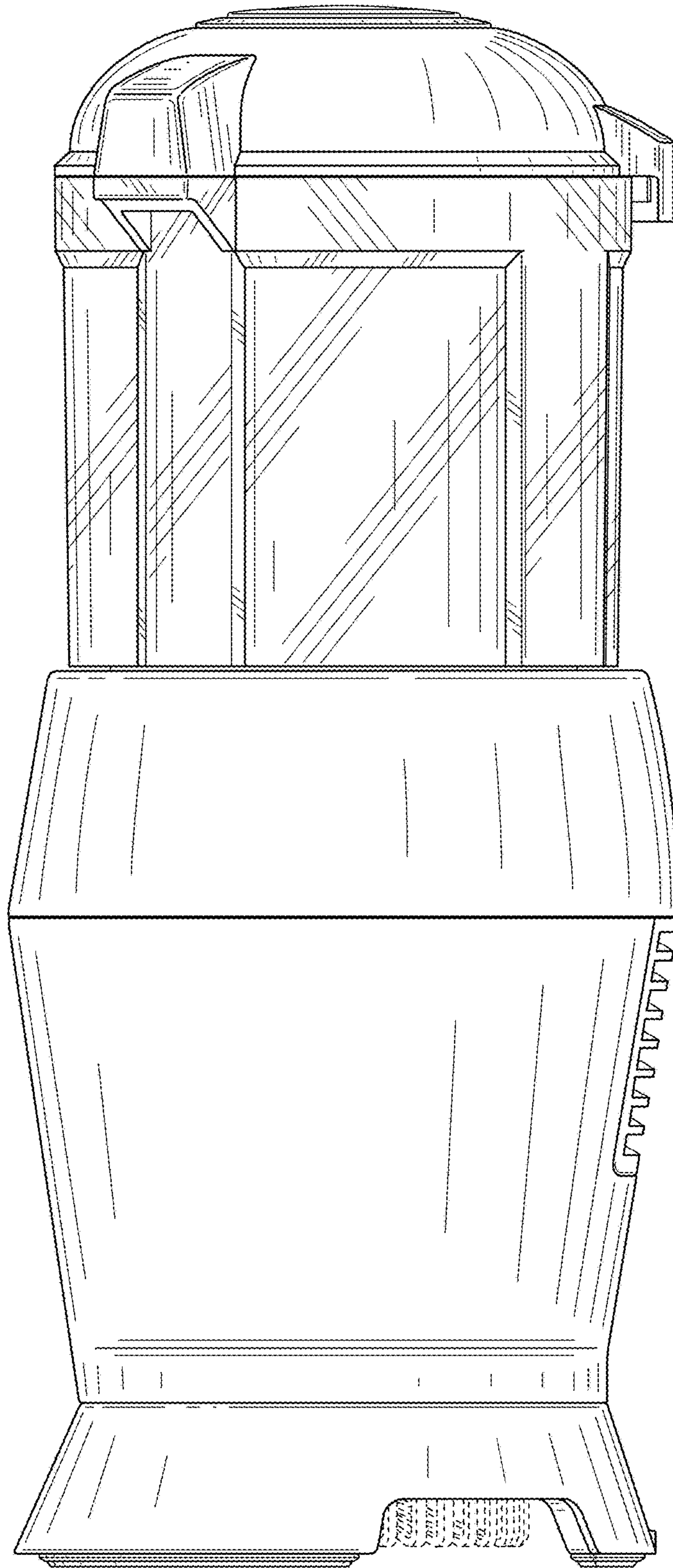


FIG. 4

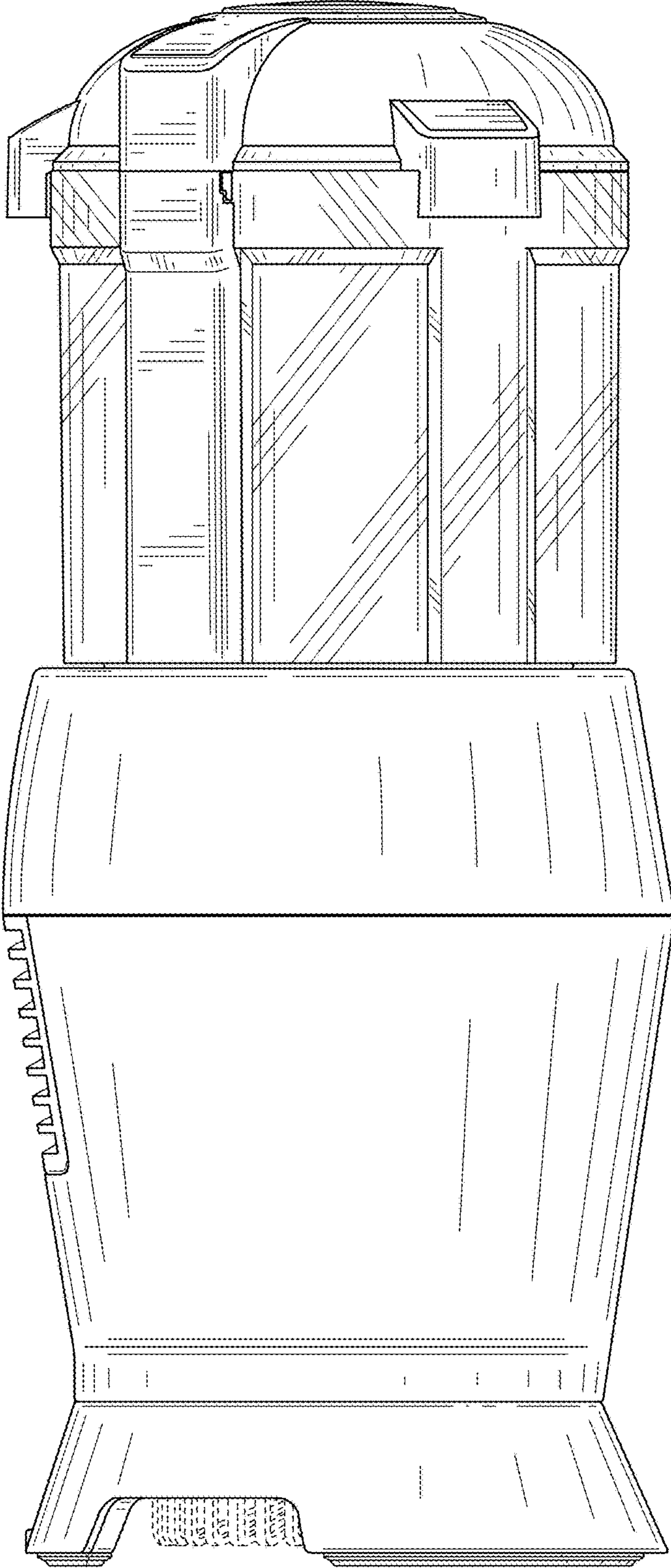


FIG. 5



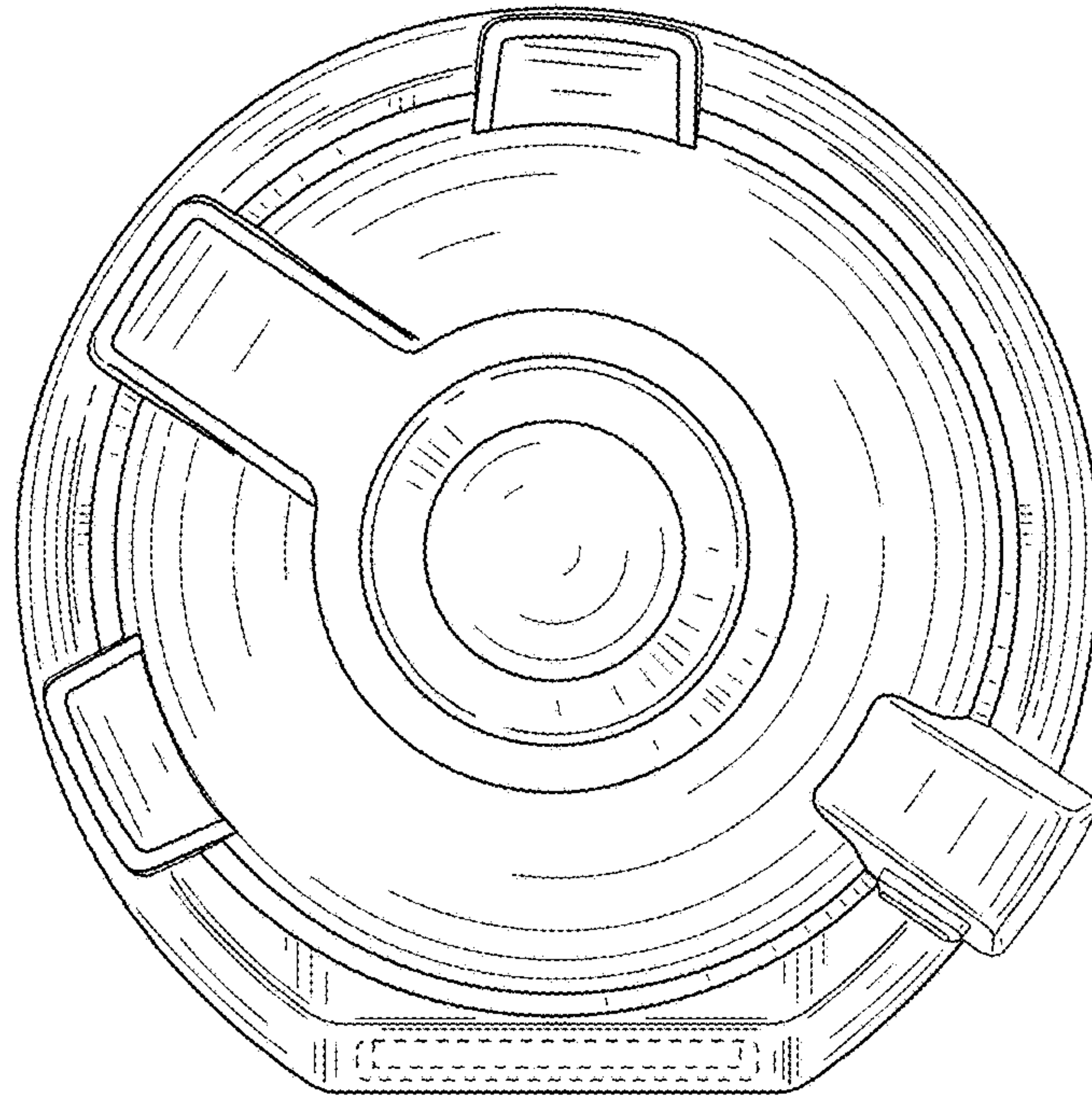


FIG. 6

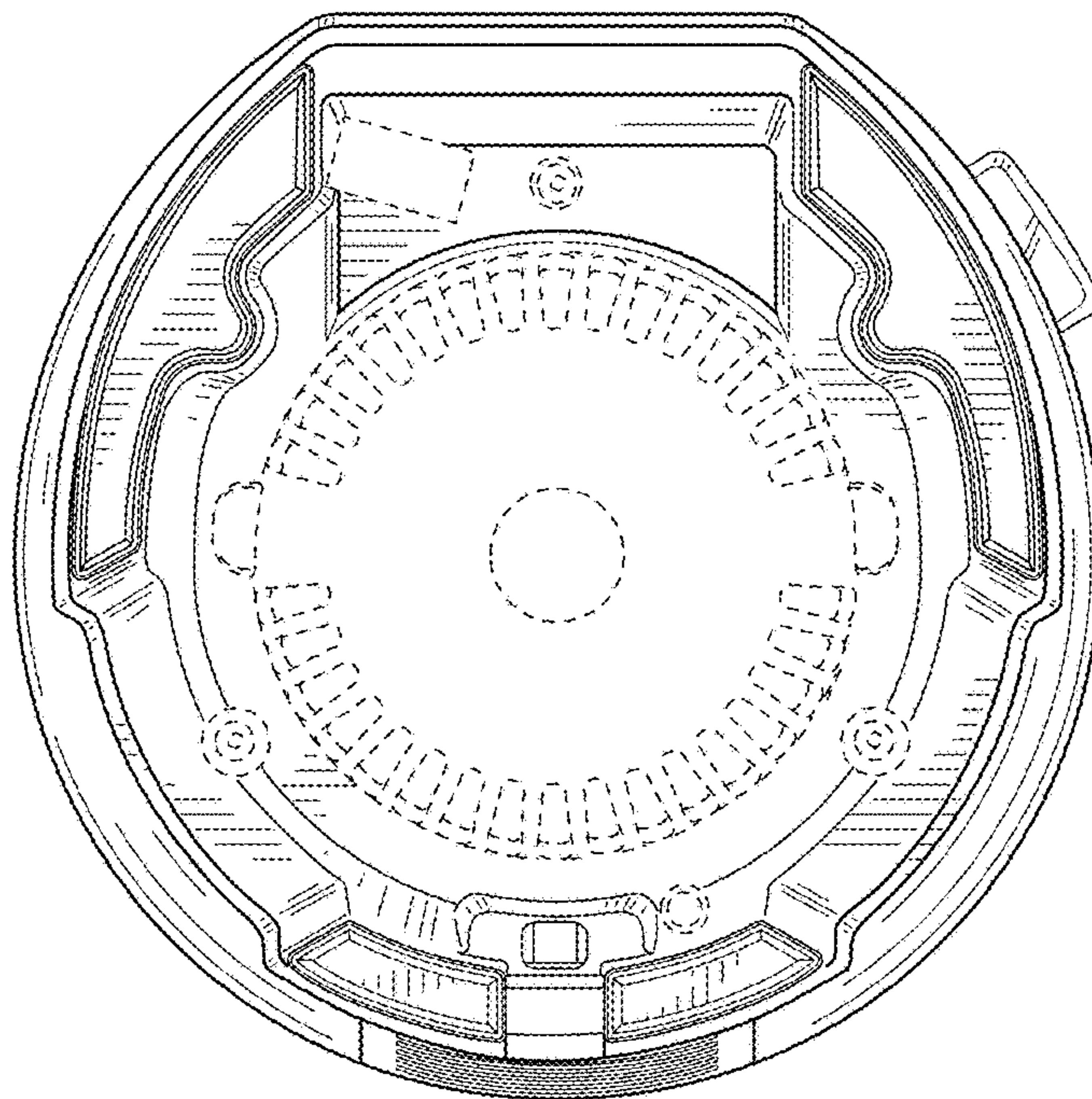


FIG. 7

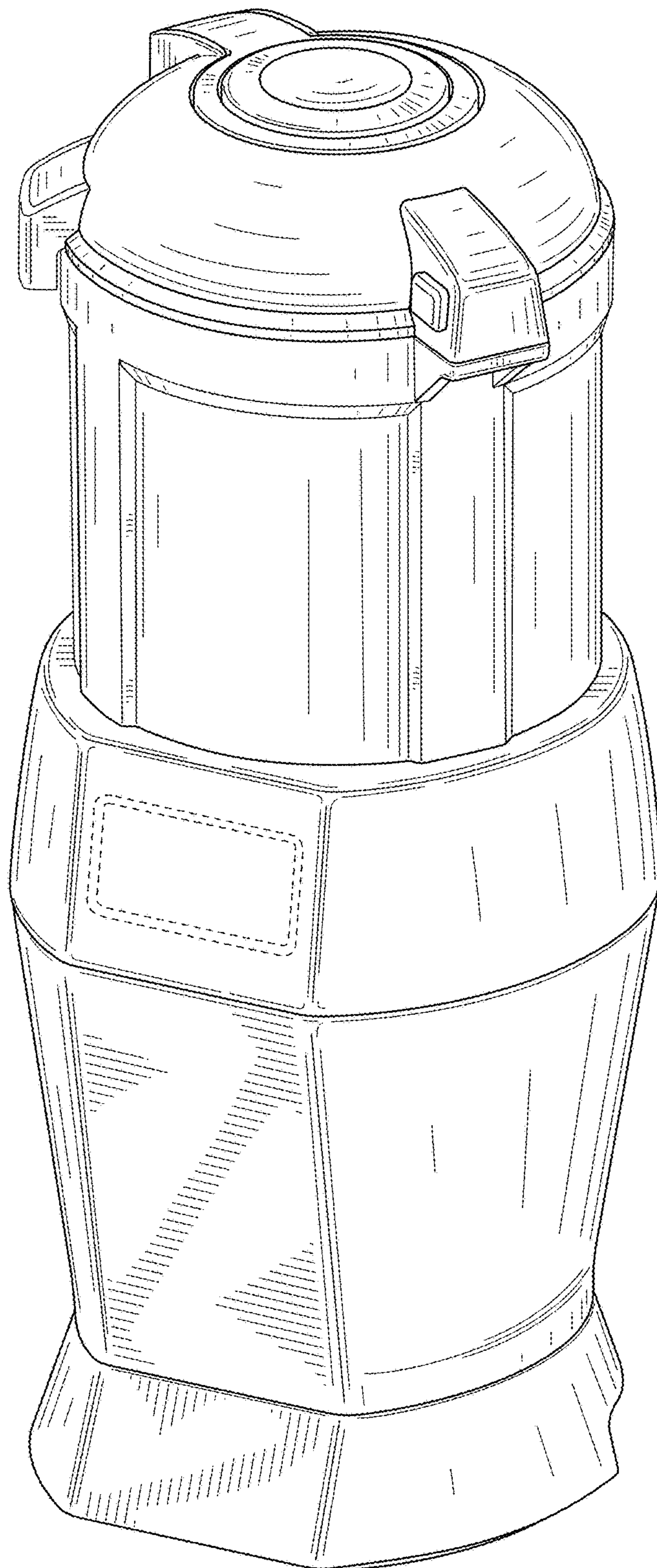


FIG. 8



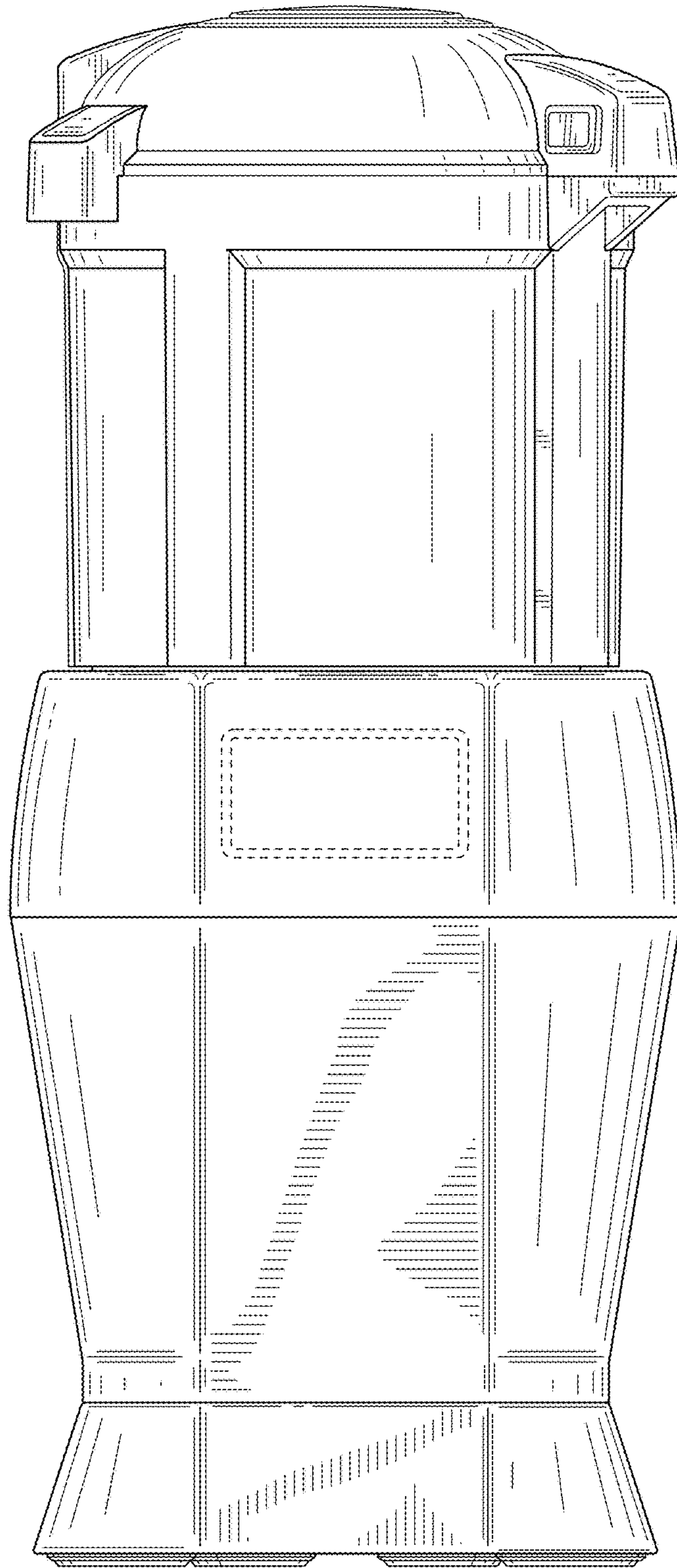


FIG. 9

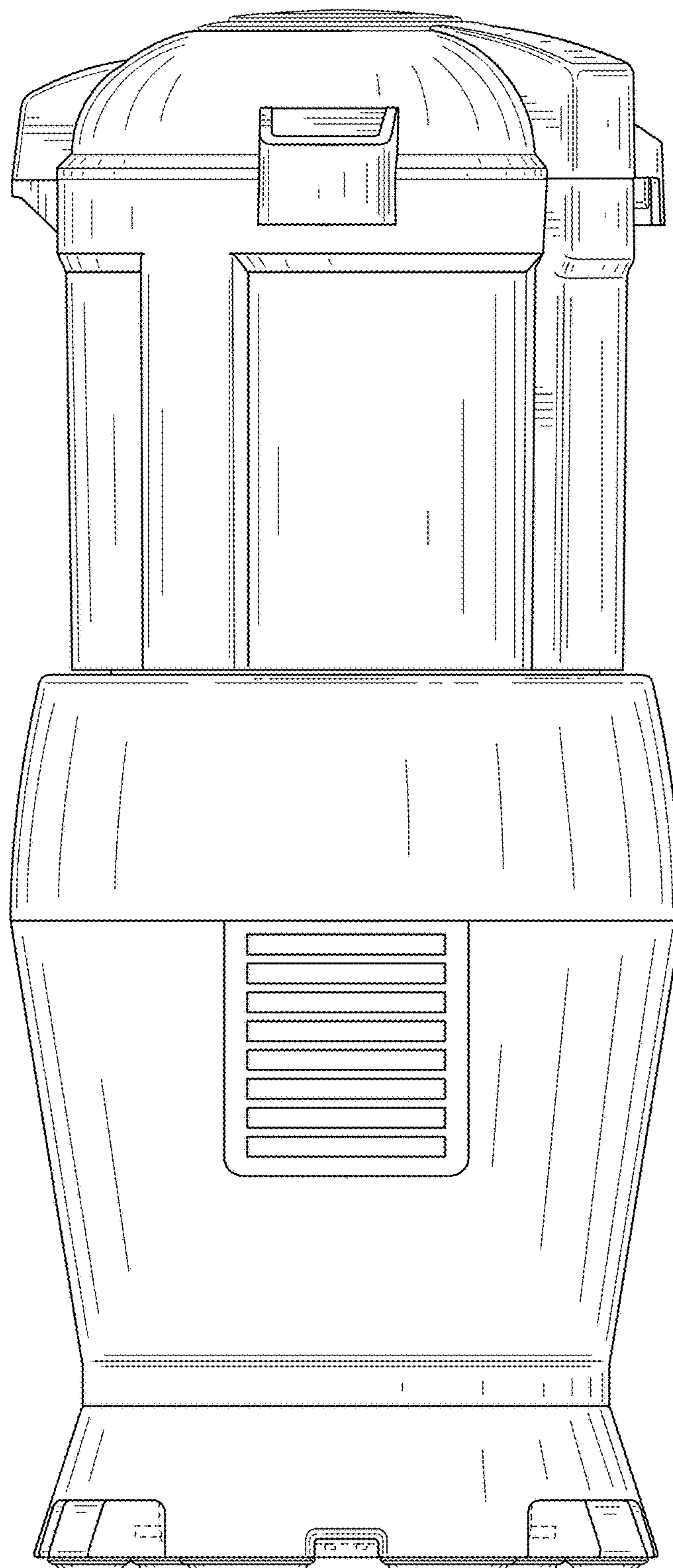
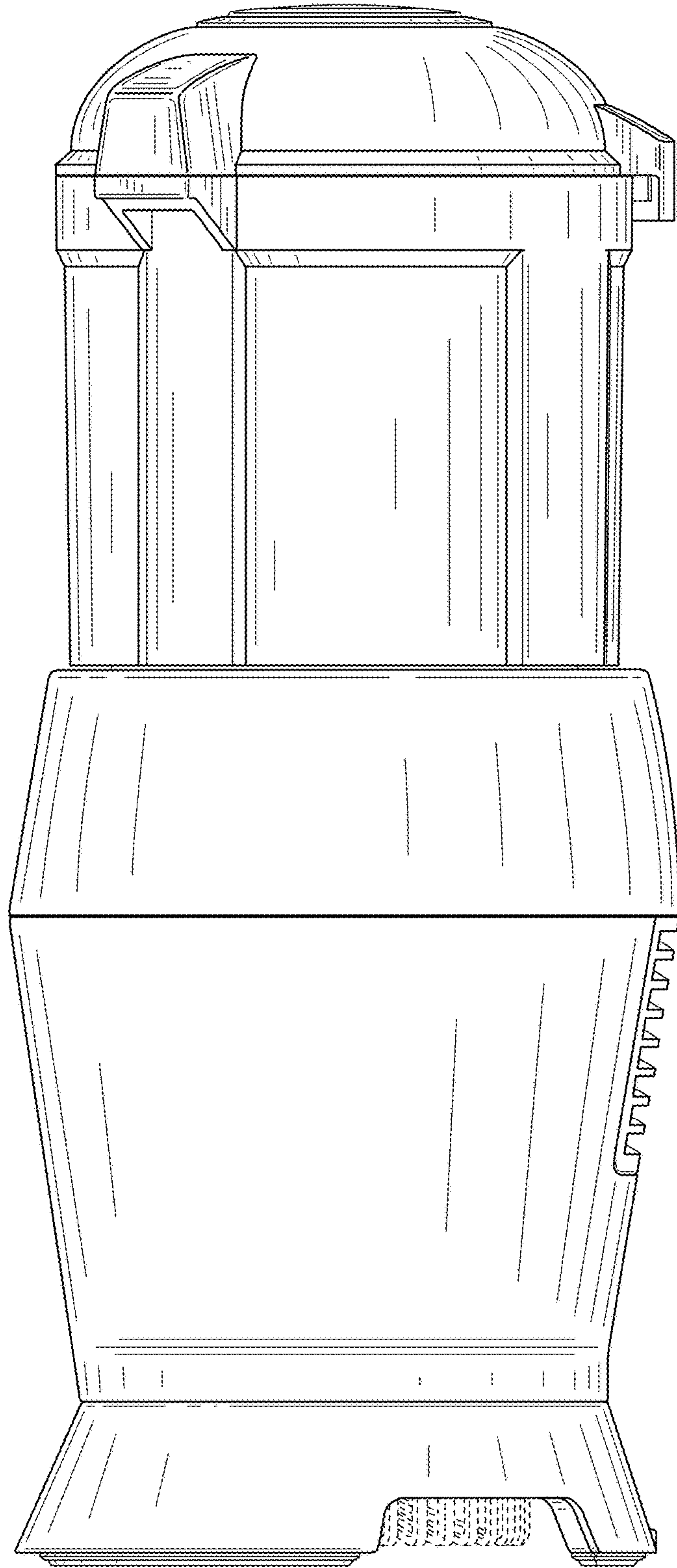


FIG. 10





**FIG. 11**

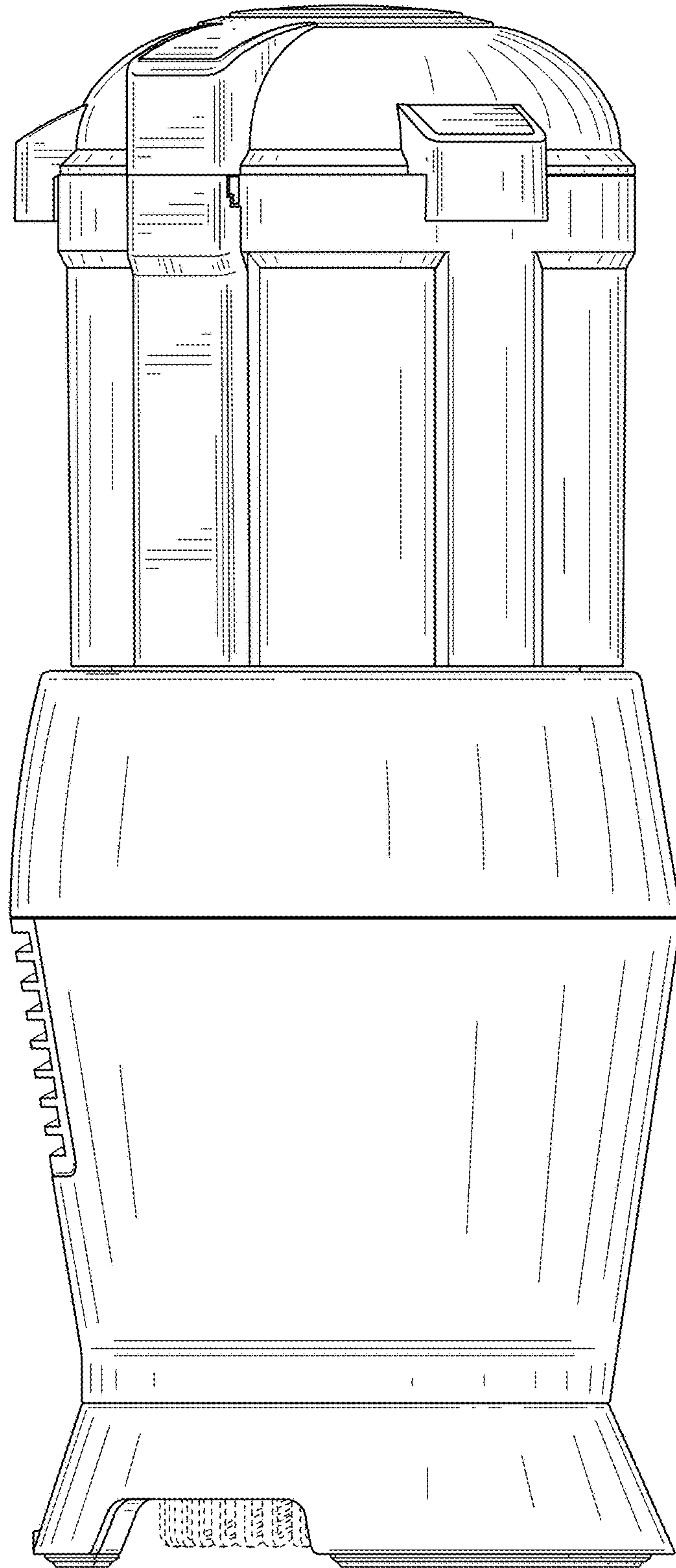


FIG. 12



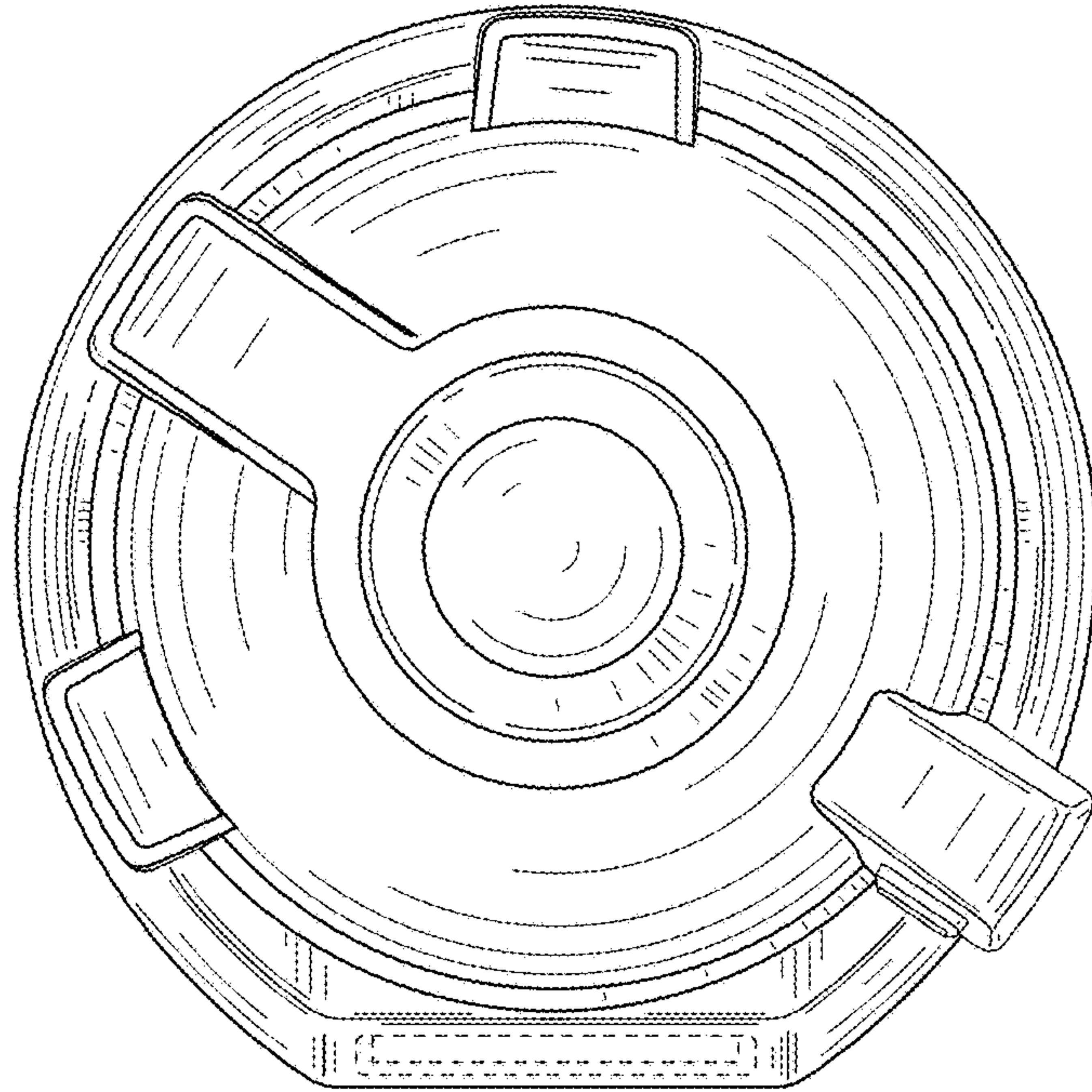


FIG. 13

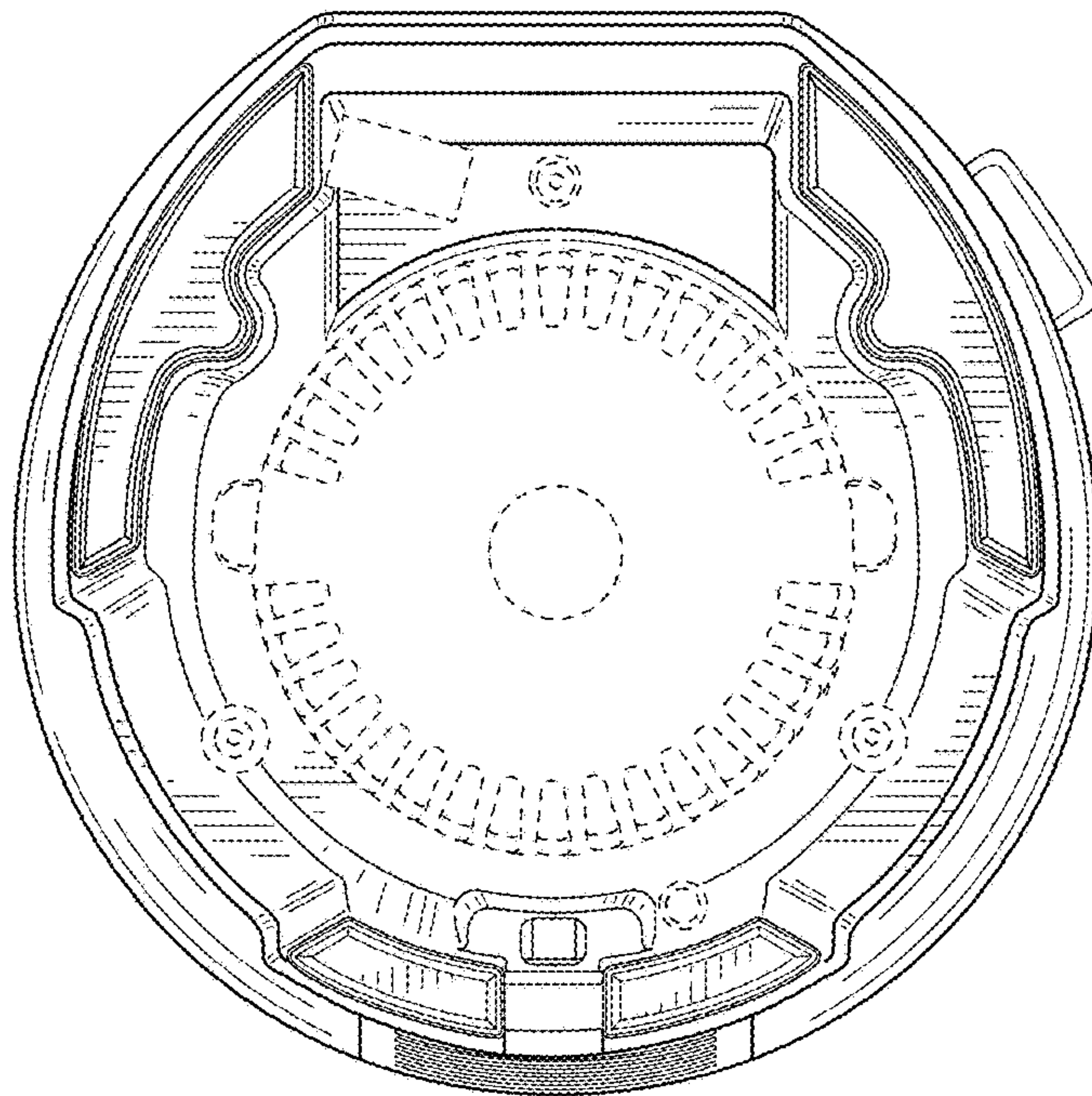


FIG. 14