



US00D811802S

(12) **United States Design Patent**  
**Brija**

(10) **Patent No.:** **US D811,802 S**  
(45) **Date of Patent:** **\*\* Mar. 6, 2018**

(54) **FOOD SERVER**

(71) Applicant: **Spring (U.S.A.) Corporation,**  
Naperville, IL (US)

(72) Inventor: **Francis Thomas Brija,** Palm Beach  
Gardens, FL (US)

(73) Assignee: **Spring (U.S.A.) Corporation,**  
Naperville, IL (US)

(\*\*) Term: **15 Years**

(21) Appl. No.: **29/571,262**

(22) Filed: **Jul. 15, 2016**

(51) **LOC (11) Cl.** ..... **07-02**

(52) **U.S. Cl.**  
USPC ..... **D7/362**

(58) **Field of Classification Search**  
USPC ..... D6/657, 681.2, 699.3, 699.5; D7/323,  
D7/332, 337, 339, 341, 352, 354-355,  
D7/362-367, 409-411, 698; D34/6  
CPC .... A21B 1/06; A21B 1/50; A21B 1/52; A47F  
10/06; A47J 37/04; A47J 37/06; A47J  
37/015; A47J 37/067; A47J 37/0611;  
A47J 37/0629; A47J 37/0676; F24C 7/06;  
F24C 7/083; F24C 15/02; F24C 15/166;  
H05B 3/20; H05B 3/40  
See application file for complete search history.

(56) **References Cited**

**U.S. PATENT DOCUMENTS**

1,945,196 A	1/1934	Kelly	
2,057,421 A	10/1936	Dickson	
2,084,883 A	6/1937	Atchinson	
2,677,365 A	5/1954	Beland	
2,759,339 A	8/1956	Kundert	
D181,526 S *	11/1957	Fitzgerald	D7/365
2,863,979 A	12/1958	Fitzgerald	
D186,927 S *	12/1959	Garneau	D7/339
2,996,889 A	8/1961	Roeder	

2,997,040 A	8/1961	Bold
3,098,924 A	7/1963	Salton et al.
3,120,599 A	2/1964	Hilgers
3,516,485 A	6/1970	Mackay
3,603,767 A	9/1971	Scicchitano
3,823,307 A	7/1974	Weiss
3,965,969 A	6/1976	Williamson
3,999,601 A	12/1976	Spanoudis
4,074,108 A	2/1978	King
4,123,919 A	11/1978	Fehlhaber
4,306,616 A	12/1981	Woods, Jr. et al.
4,343,985 A	8/1982	Wilson et al.
4,593,752 A	6/1986	Tipton

(Continued)

**FOREIGN PATENT DOCUMENTS**

WO 2011008280 A1 1/2011

*Primary Examiner* — Ricky Pham

(74) *Attorney, Agent, or Firm* — Banner & Witcoff, Ltd.

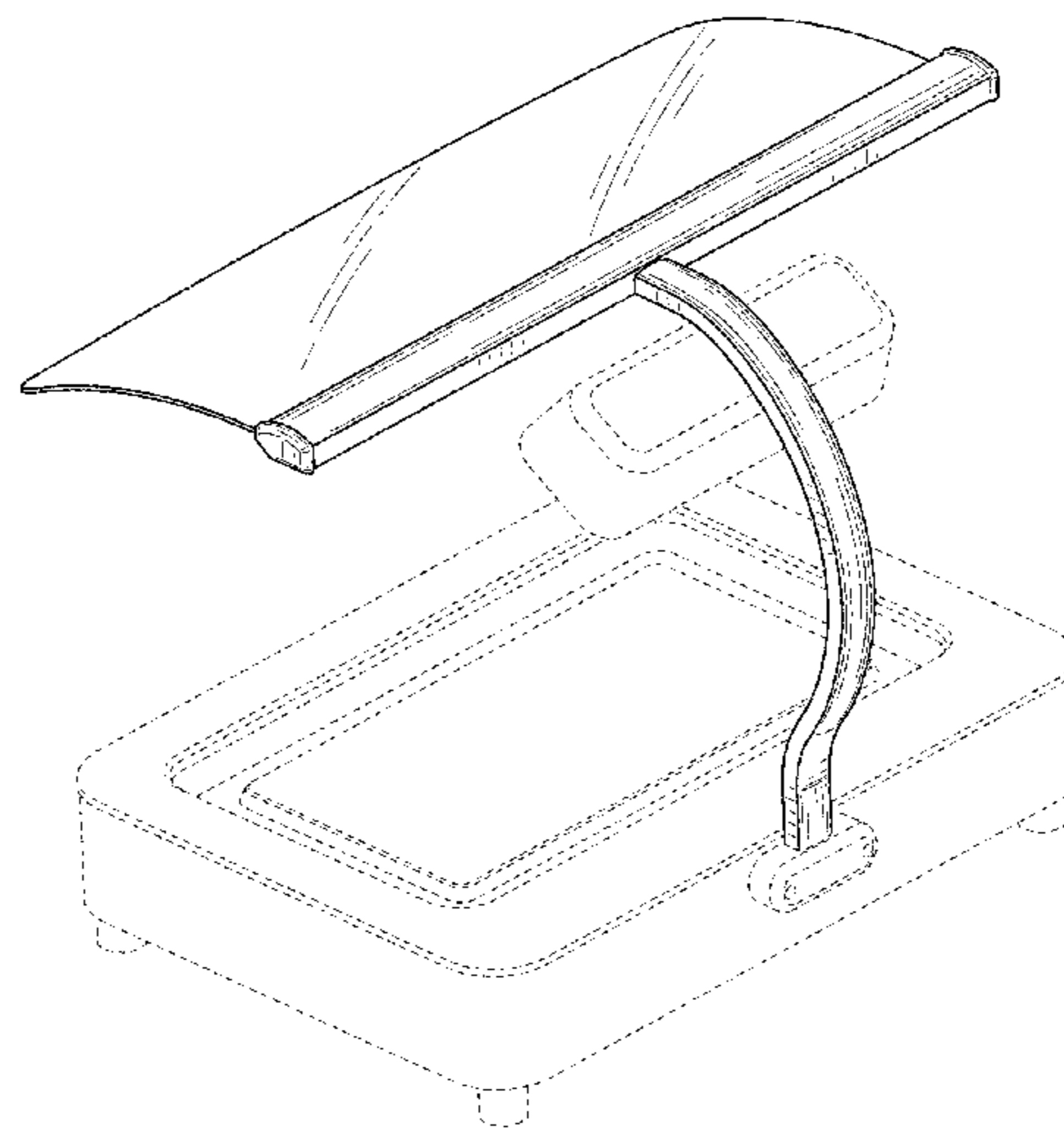
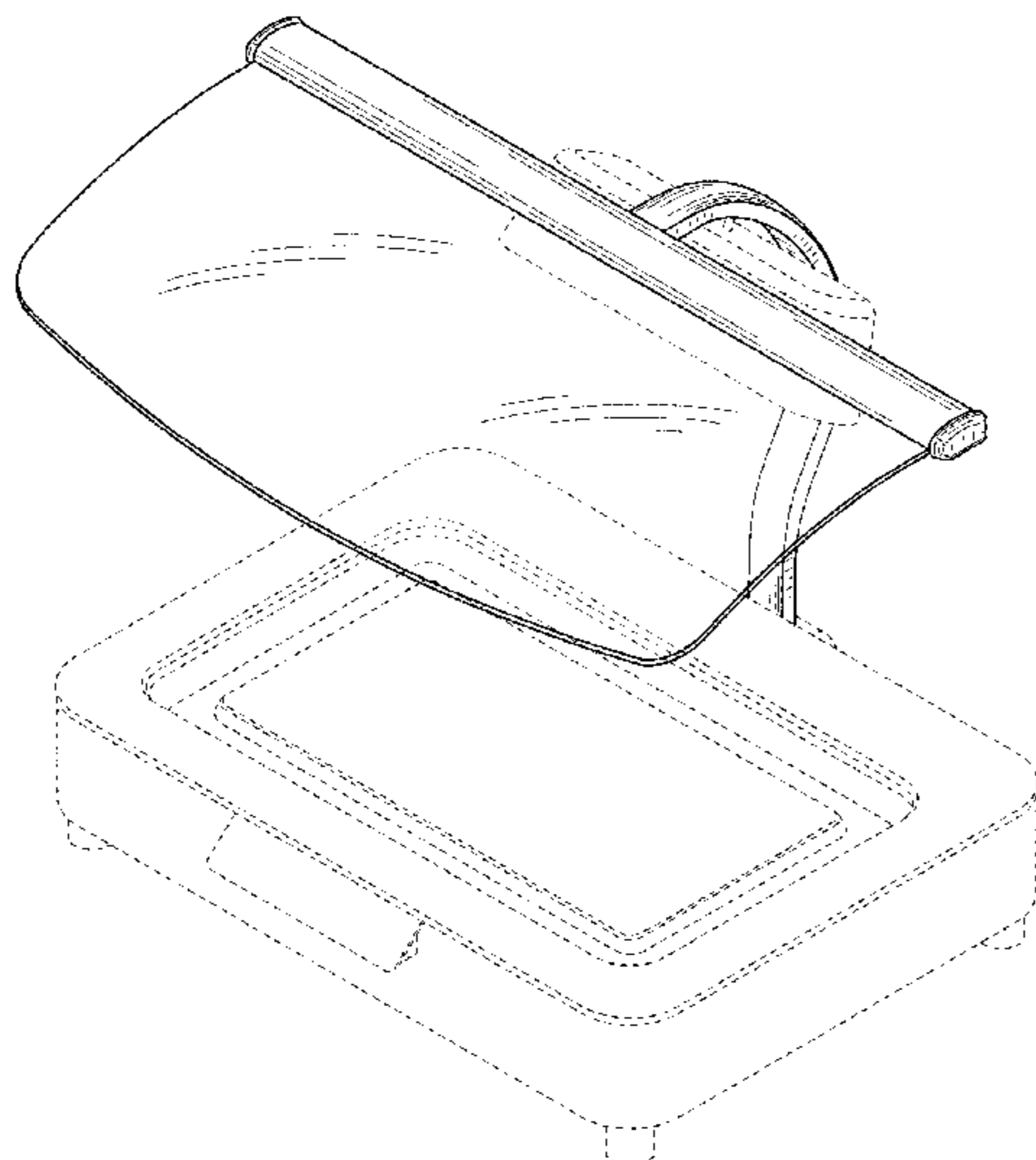
(57) **CLAIM**

The ornamental design for a food server, as shown and described.

**DESCRIPTION**

FIG. 1 is a top, front, right perspective view of a food server showing my new design;  
FIG. 2 is a front view thereof;  
FIG. 3 is a rear view thereof;  
FIG. 4 is a right side view thereof;  
FIG. 5 is a left side view thereof;  
FIG. 6 is a top view thereof;  
FIG. 7 is a bottom view thereof; and,  
FIG. 8 is a top, rear, right perspective view thereof.  
The broken lines immediately adjacent to the shaded area represent unclaimed boundaries of the design. The broken lines showing the remainder of the food server represent unclaimed subject matter and form no part of the claimed design.

**1 Claim, 5 Drawing Sheets**



(56)

References Cited

U.S. PATENT DOCUMENTS

D300,591 S *	4/1989	Marchais .....	D6/699.3	2002/0040901 A1	4/2002	Laken et al.
4,823,554 A	4/1989	Trachtenberg et al.		2002/0043906 A1	4/2002	Dewitt et al.
4,856,579 A	8/1989	Wolfe		2002/0184895 A1	12/2002	Anderson et al.
4,990,749 A	2/1991	Devine et al.		2003/0029174 A1	2/2003	Lee
5,263,538 A	11/1993	Amidieu et al.		2003/0057810 A1	3/2003	DeWitt
5,653,111 A	8/1997	Attey et al.		2003/0141045 A1	7/2003	Oh et al.
5,718,124 A	2/1998	Senecal		2003/0192321 A1	10/2003	Baumann
5,771,788 A	6/1998	Lee et al.		2004/0025516 A1	2/2004	Van Winkle
5,782,094 A	7/1998	Freeman		2004/0134200 A1	7/2004	Schroeder et al.
5,878,579 A	3/1999	Boyer, III		2004/0171269 A1	9/2004	Kondo et al.
5,941,077 A	8/1999	Safyan		2004/0189156 A1	9/2004	Pearlman
5,966,940 A	10/1999	Gower et al.		2004/0231997 A1	11/2004	Wang et al.
6,020,638 A	2/2000	Kobayashi		2005/0045702 A1	3/2005	Freeman et al.
6,026,647 A	2/2000	Coffee et al.		2005/0103212 A1	5/2005	Cronin et al.
6,085,535 A	7/2000	Richmond et al.		2005/0257532 A1	11/2005	Ikeda et al.
6,111,224 A	8/2000	Witt		2005/0274118 A1	12/2005	McMurry et al.
6,220,338 B1	4/2001	Grandi		2006/0005548 A1	1/2006	Ruckstuhl
6,234,107 B1	5/2001	Tanaka et al.		2006/0175940 A1	8/2006	English
6,261,621 B1	7/2001	Stanger et al.		2006/0191271 A1	8/2006	Takahashi et al.
6,279,470 B2	8/2001	Simeray et al.		2006/0232891 A1	10/2006	Bushnik et al.
6,295,820 B1	10/2001	Cauchy et al.		2006/0237182 A1	10/2006	Godecker et al.
6,301,901 B1	10/2001	Coffee et al.		2006/0277924 A1	12/2006	Platkin
6,344,630 B1	2/2002	Jarvis et al.		2007/0120137 A1	5/2007	Wilson et al.
D458,078 S *	6/2002	Lin .....	D7/362	2007/0227456 A1	10/2007	Borey
6,619,045 B1	9/2003	Clark		2008/0016881 A1	1/2008	Steffensen et al.
6,691,894 B2	2/2004	Chrisman et al.		2008/0099186 A1	5/2008	Yu et al.
6,735,958 B2	5/2004	Baumann		2008/0168795 A1	7/2008	Alfile
6,976,371 B2	12/2005	Gleason et al.		2008/0173566 A1	7/2008	Lowenstein
7,156,207 B2	1/2007	Simon		2008/0190119 A1	8/2008	Smayling
D541,079 S *	4/2007	Brown .....	D6/657	2009/0000310 A1	1/2009	Bell et al.
7,216,500 B2	5/2007	Schwichtenberg et al.		2009/0020269 A1	1/2009	Chang et al.
D543,740 S	6/2007	Hartsfield, Jr. et al.		2009/0084526 A1	4/2009	Chang et al.
7,242,000 B2	7/2007	Archibald et al.		2009/0277187 A1	11/2009	McGann
7,309,830 B2	12/2007	Zhang et al.		2010/0043451 A1	2/2010	Alahyari et al.
D570,640 S *	6/2008	Brunner .....	D7/332	2010/0050659 A1	3/2010	Quisenberry et al.
D575,560 S *	8/2008	English .....	D6/699.5	2010/0059880 A1	3/2010	Baek
7,426,835 B2	9/2008	Bell et al.		2010/0127089 A1	5/2010	Sakami
7,451,603 B2	11/2008	Tuskiewicz et al.		2010/0133355 A1	6/2010	Park et al.
7,665,311 B2	2/2010	Steffensen et al.		2010/0158660 A1	6/2010	Radhakrishnan
7,784,398 B2	8/2010	Matus, Jr.		2010/0186931 A1	7/2010	Obara et al.
D626,355 S *	11/2010	Liang .....	D34/5	2010/0198204 A1	8/2010	Rogers
7,872,214 B2	1/2011	Schandel et al.		2010/0269517 A1	10/2010	Ikeda et al.
8,033,708 B2	10/2011	Tsubaki		2011/0011100 A1	1/2011	Sundhar
D655,140 S *	3/2012	Saunders .....	D7/698	2011/0072834 A1	3/2011	Ishikura et al.
8,277,763 B2	10/2012	Steinmann et al.		2011/0073469 A1	3/2011	Ma et al.
D670,981 S *	11/2012	Saunders .....	D7/698	2011/0146301 A1	6/2011	Chapman et al.
D702,066 S	4/2014	Maddux		2011/0194578 A1	8/2011	Hirose et al.
8,761,588 B2	6/2014	Lee		2011/0197598 A1	8/2011	Cheng et al.
8,839,633 B2	9/2014	Quisenberry et al.		2011/0203295 A1	8/2011	Hsu et al.
8,850,829 B2	10/2014	Brija		2011/0316571 A1	12/2011	Kiyokawa et al.
D727,581 S *	4/2015	Liang .....	D34/5	2012/0200207 A1*	8/2012	Atkins .....
D741,120 S *	10/2015	Hundley .....	D7/698			A47F 10/06 312/137
9,326,621 B1	5/2016	McAllister et al.		2012/0290023 A1	11/2012	Boyden et al.
9,339,131 B1	5/2016	Christianson		2014/0268716 A1	9/2014	Yu et al.
2001/0013224 A1	8/2001	Ohkubo et al.		2015/0049511 A1	2/2015	Tarsa et al.
2001/0052409 A1	12/2001	Miki		2015/0121899 A1	5/2015	Nakajima
				2016/0095450 A1	4/2016	Trulaske, Sr.
				2016/0100698 A1	4/2016	Clark et al.

\* cited by examiner



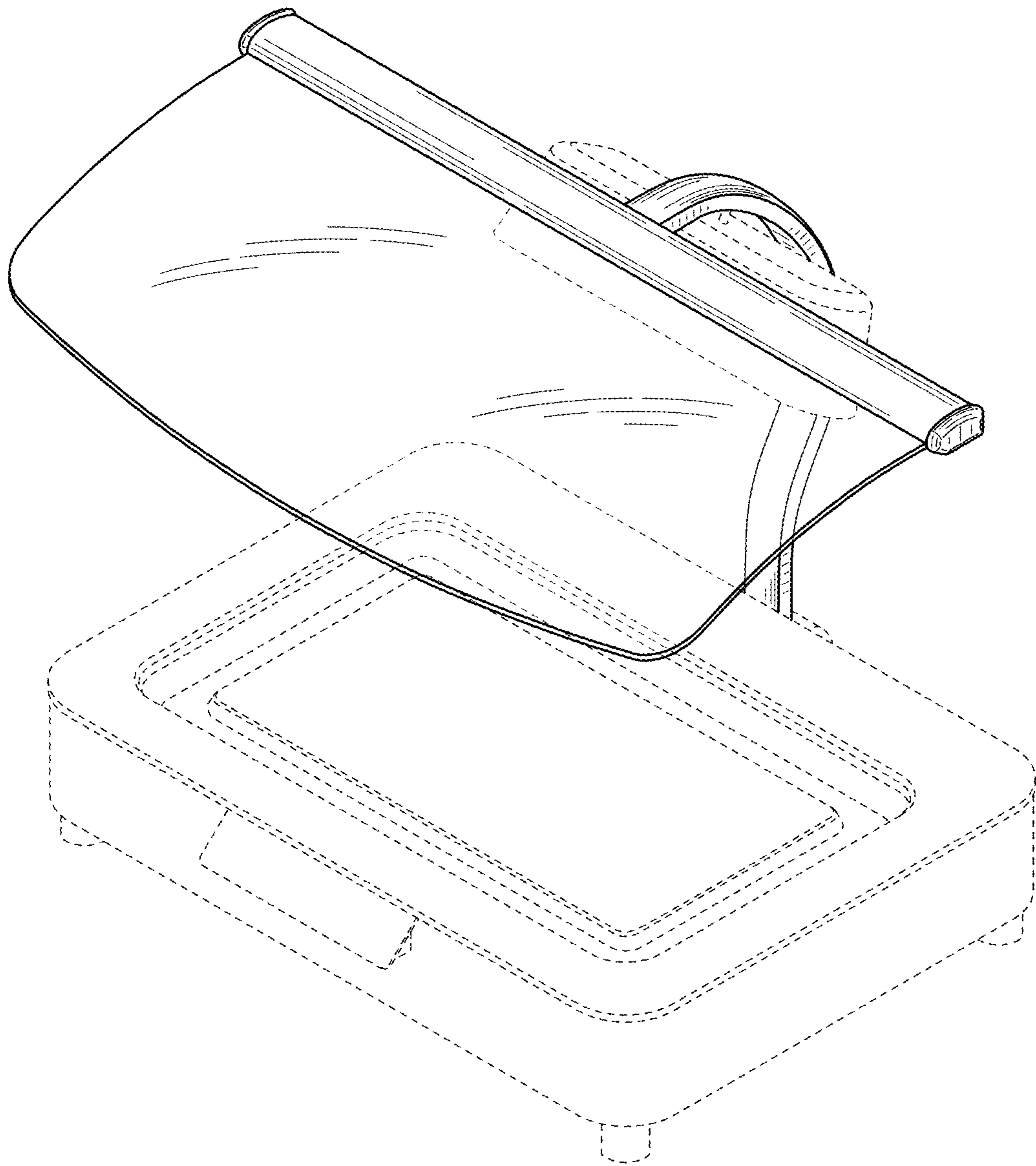


FIG. 1

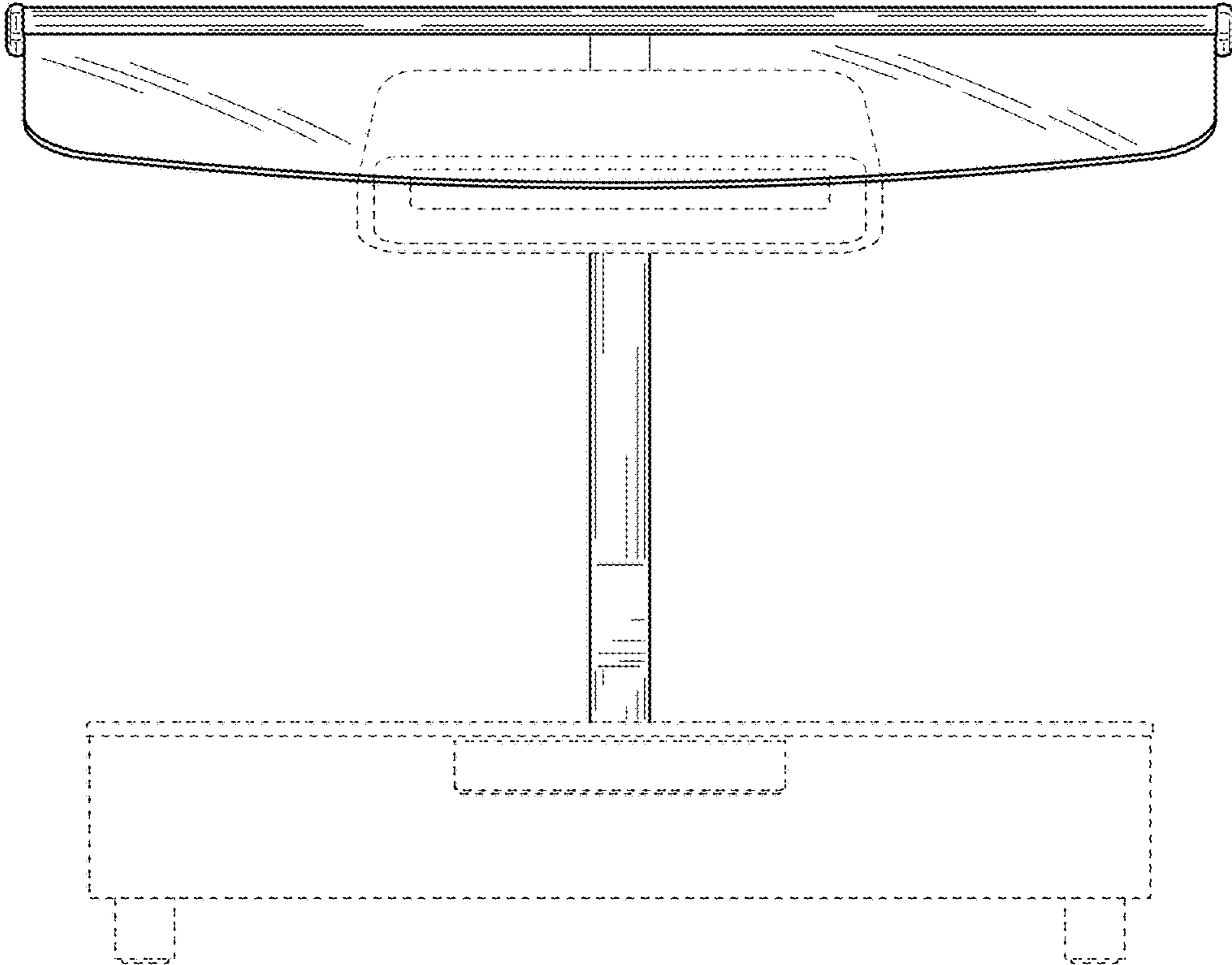


FIG. 2

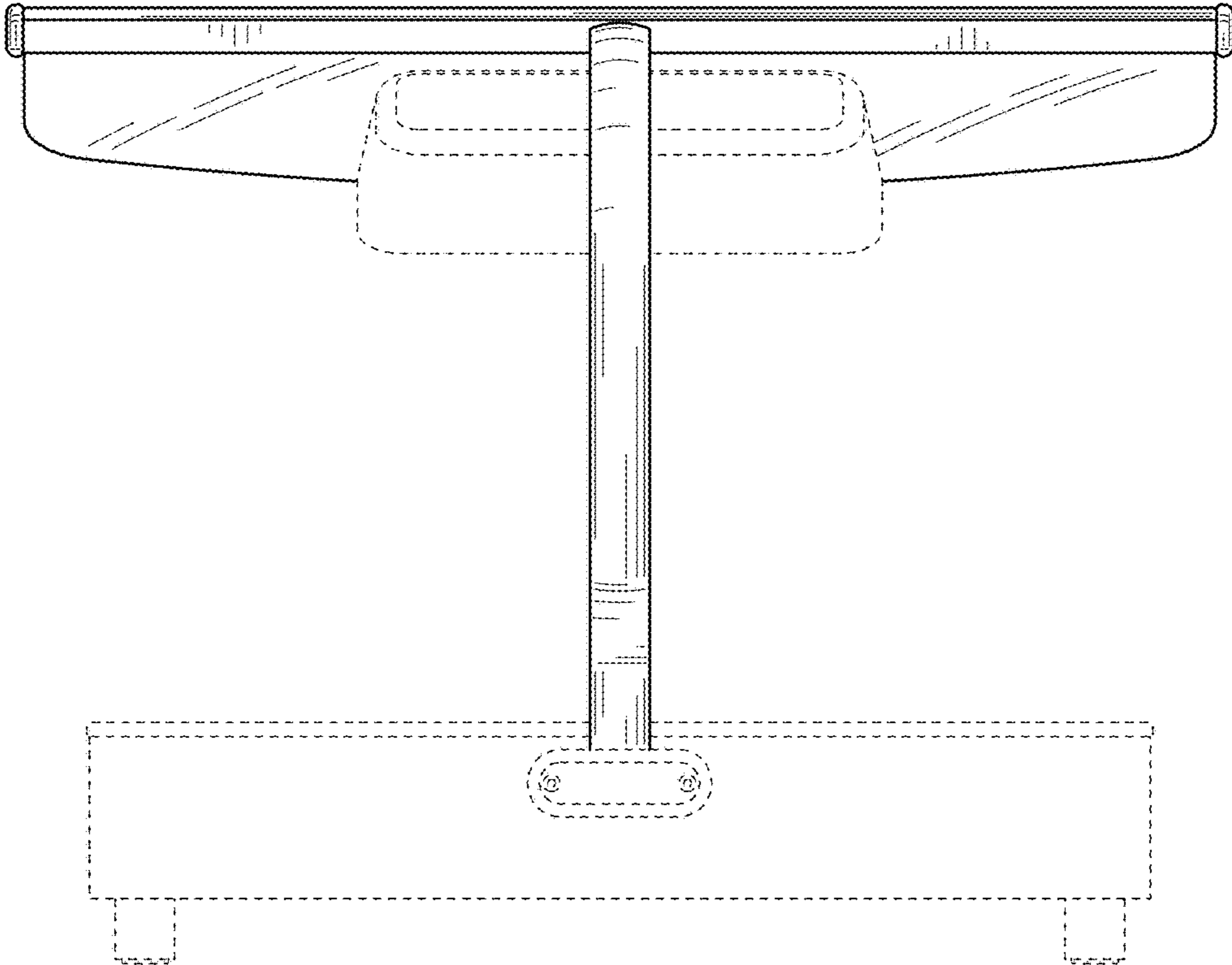


FIG. 3

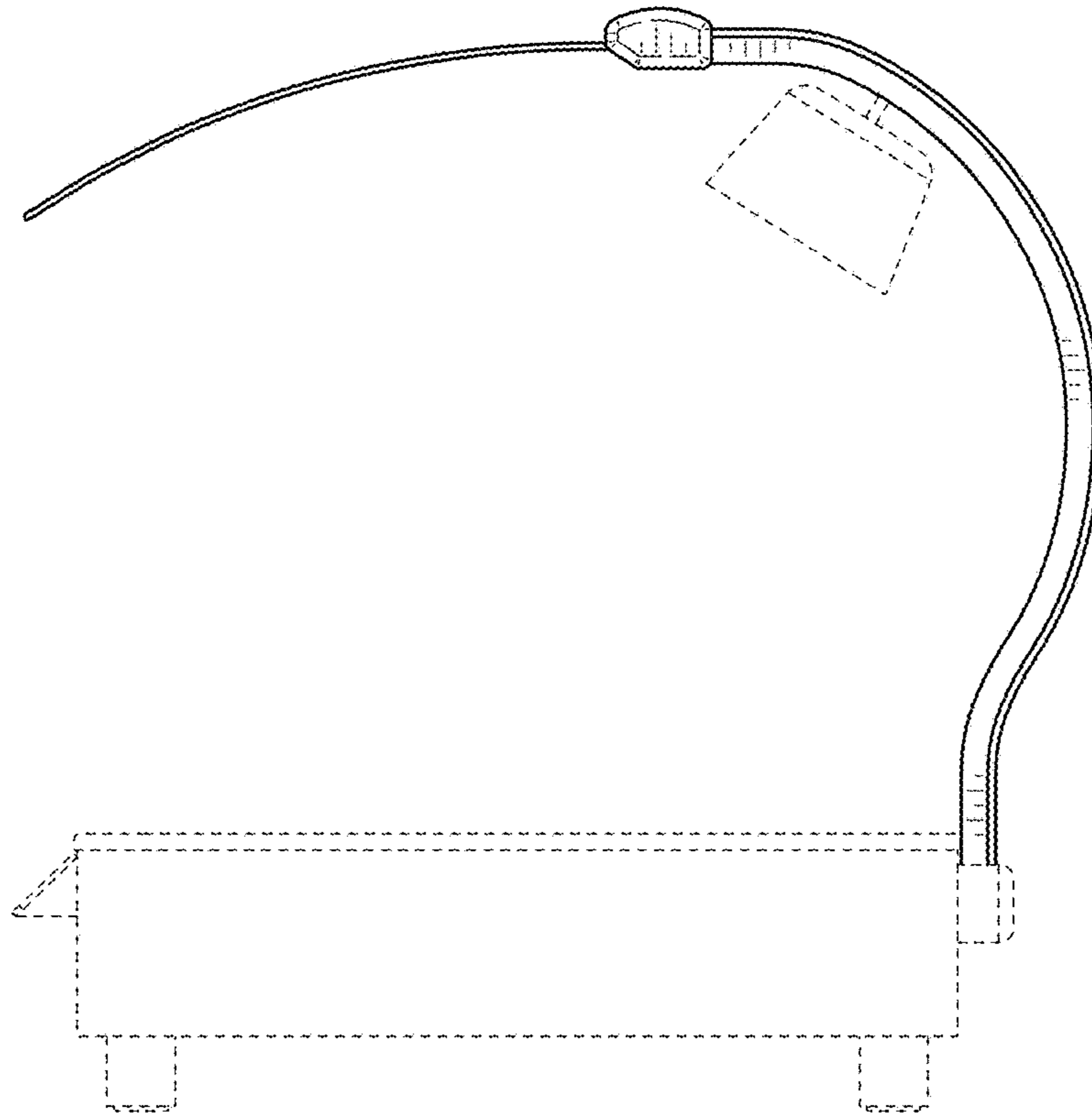


FIG. 4

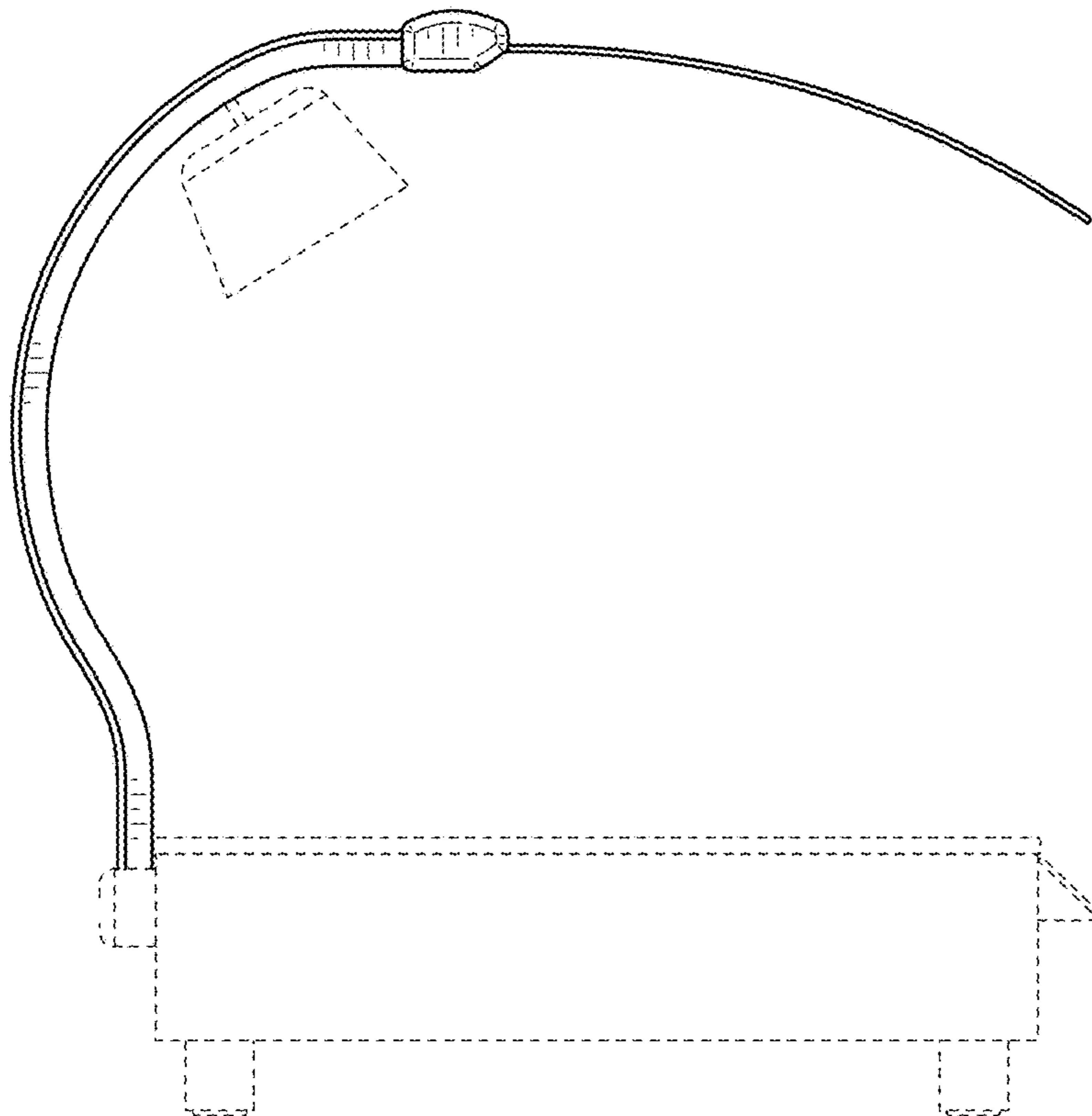


FIG. 5

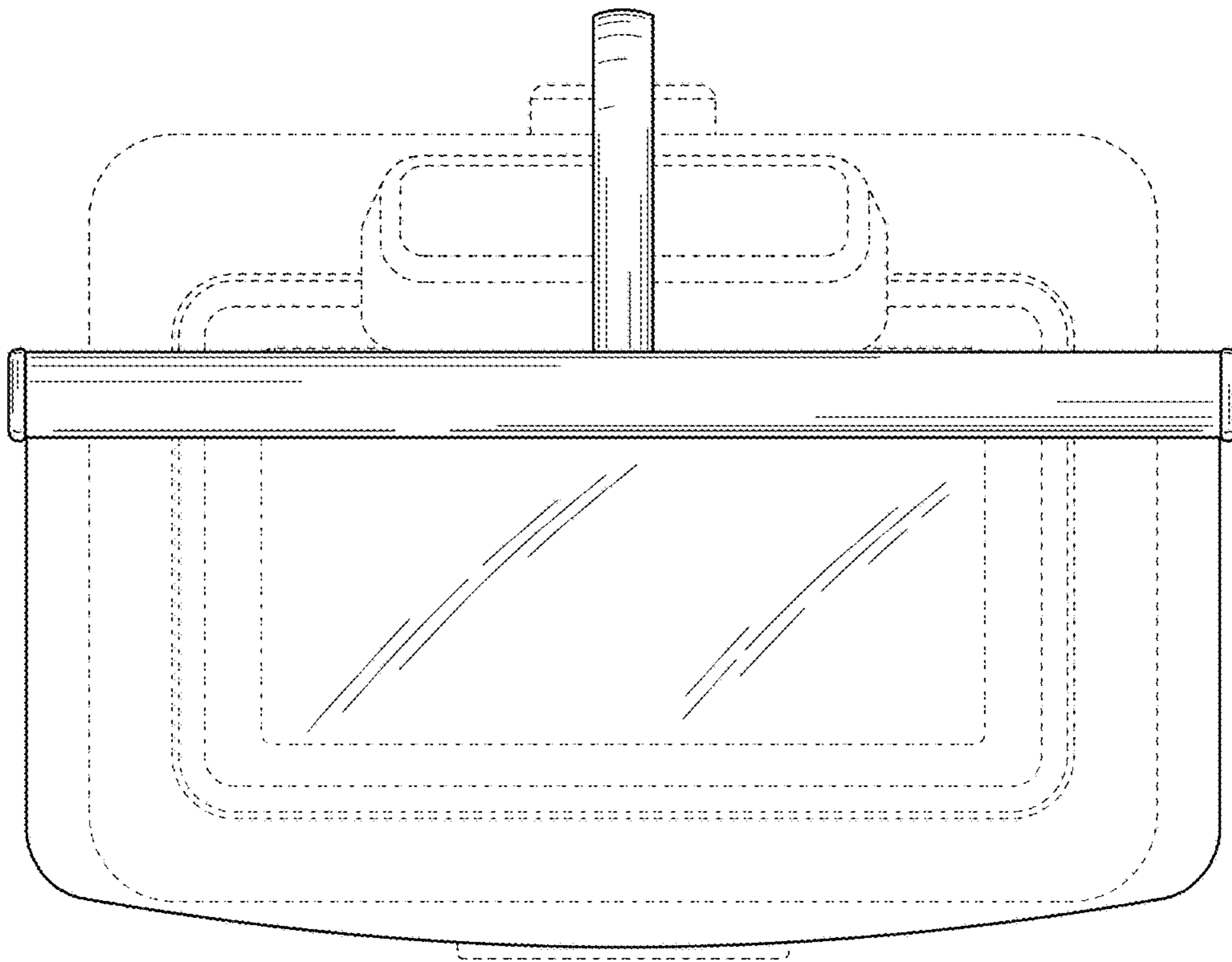


FIG. 6

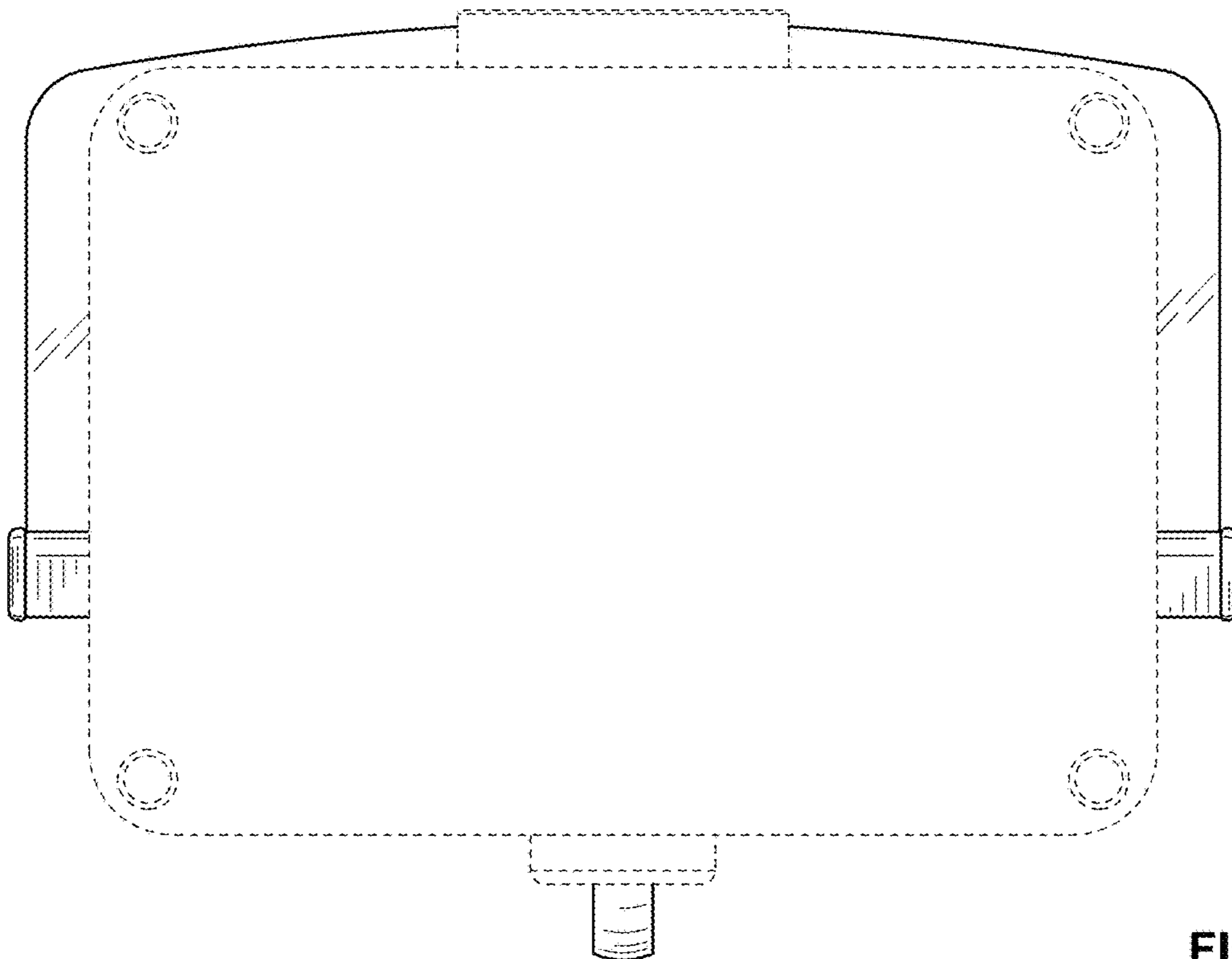


FIG. 7

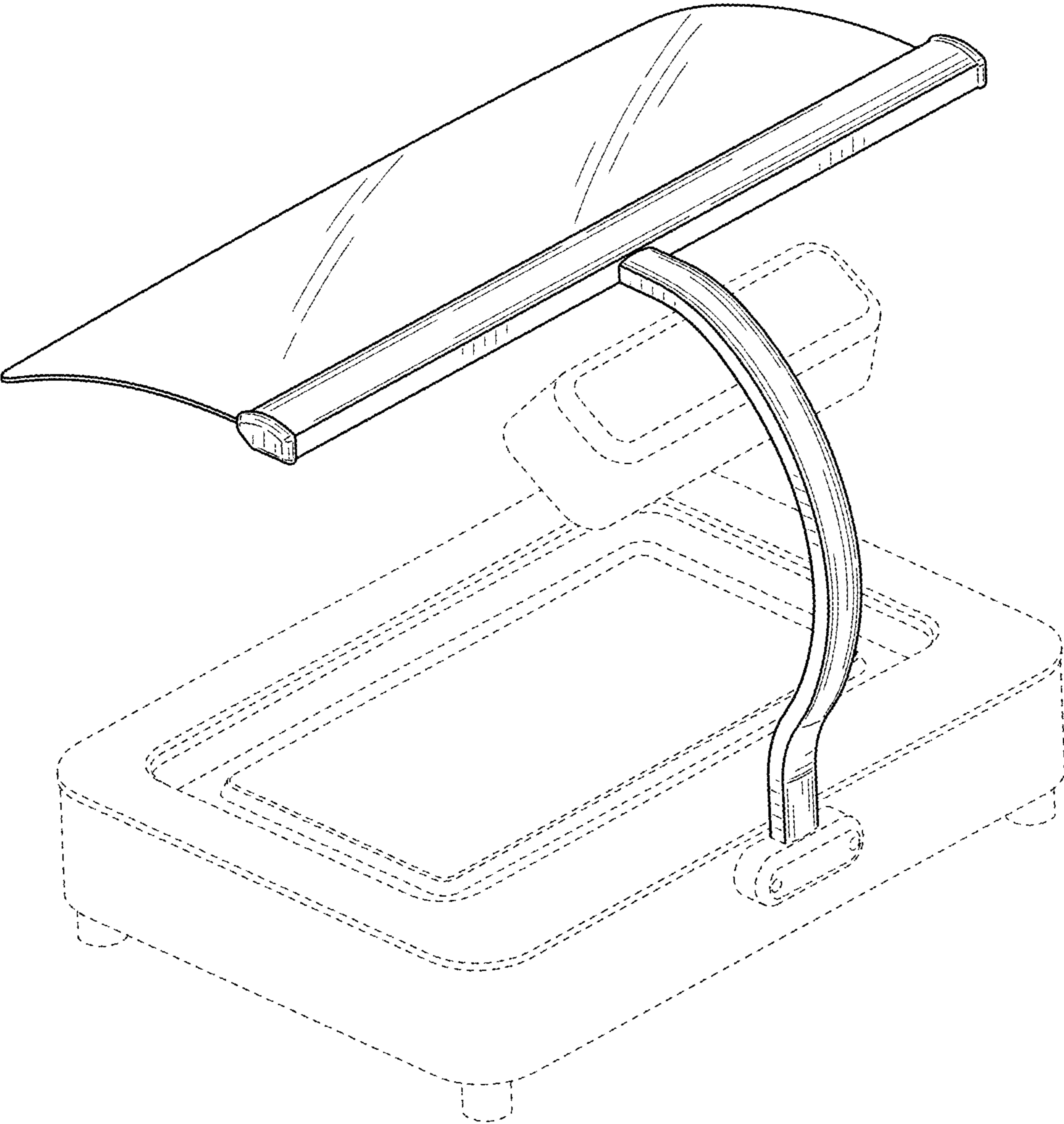


FIG. 8