



US00D811801S

(12) **United States Design Patent** (10) **Patent No.:** **US D811,801 S**
Workman et al. (45) **Date of Patent:** **** Mar. 6, 2018**

(54) **DUTCH OVEN**

(56) **References Cited**

(71) Applicant: **Barebones Systems, LLC**, Bluffdale, UT (US)

(72) Inventors: **Robert Emmett Workman**, Morgan, UT (US); **David Jared Burton**, Payson, UT (US); **Michelle Ann Merrill**, Draper, UT (US); **Kristin Mecham**, Springville, UT (US); **Henry Howell**, Herriman, UT (US); **Erik Robert Workman**, Salt Lake City, UT (US)

U.S. PATENT DOCUMENTS

D207,594	S	*	5/1967	Aubecq	D7/542
D218,346	S	*	8/1970	Aubecq	D7/360
6,457,601	B1	*	10/2002	Chappell	A47J 36/022
						220/495.03
6,706,303	B2	*	3/2004	Fawson	A47J 36/022
						220/573.2
D557,551	S	*	12/2007	Tetreault	D7/354
D557,972	S	*	12/2007	Ablo	D7/354
D577,549	S	*	9/2008	Plante	D7/538
D585,238	S	*	1/2009	Tseng	D7/361
D594,704	S	*	6/2009	Loaiza	D7/538
D644,490	S	*	9/2011	Shah	D7/538
D667,273	S	*	9/2012	Henry	D7/542
D677,512	S	*	3/2013	Bodum	D7/337
D770,845	S	*	11/2016	Quinn	D7/354

(73) Assignee: **BAREBONES SYSTEMS, LLC**, Salt Lake City, UT (US)

(**) Term: **15 Years**

* cited by examiner

(21) Appl. No.: **29/570,420**

Primary Examiner — Ricky Pham

(22) Filed: **Jul. 7, 2016**

(74) *Attorney, Agent, or Firm* — Morriss O'Bryant
Compagni Cannon, PLLC

(51) **LOC (11) Cl.** **07-02**

(57) **CLAIM**

(52) **U.S. Cl.**

The ornamental design for a dutch oven, as shown and described.

USPC **D7/361**; D7/354

DESCRIPTION

(58) **Field of Classification Search**

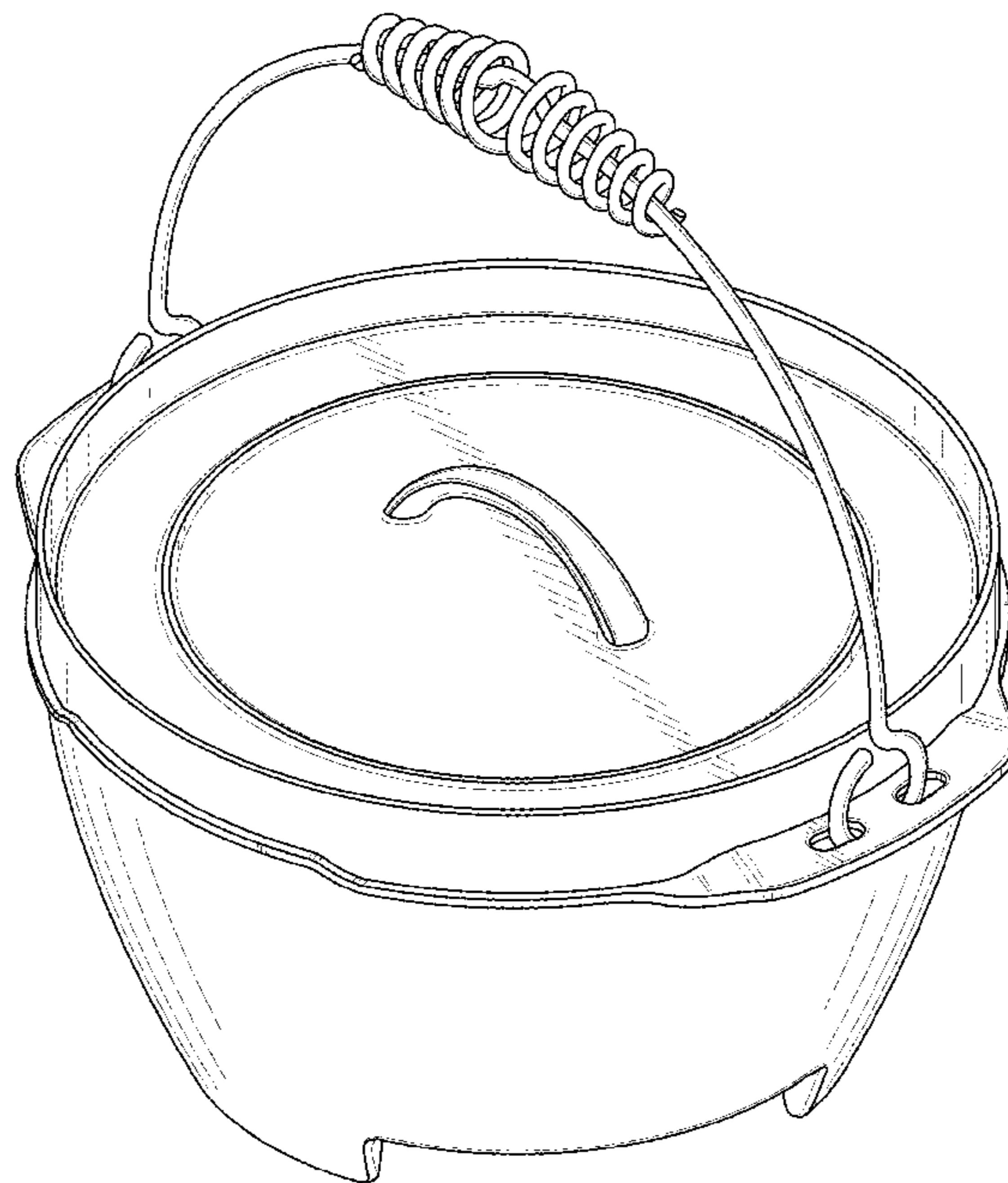
USPC D7/323, 337, 354–363, 391, 393–396, D7/409, 542

FIG. 1 is a perspective front side view of a dutch oven of the present invention;
 FIG. 2 is a front side view of the dutch oven;
 FIG. 3 is a back side view of the dutch oven;
 FIG. 4 is a left side view of the dutch oven;
 FIG. 5 is a right side view of the dutch oven;
 FIG. 6 is a top side view of the dutch oven; and,
 FIG. 7 is a bottom side view of the dutch oven.

CPC A47G 19/12; A47J 27/00; A47J 27/002; A47J 27/08; A47J 27/21; A47J 27/58; A47J 36/022; A47J 36/025; A47J 36/06; A47J 36/12; A47J 37/00; A47J 37/10; A47J 37/101; A47J 37/103; A47J 37/12; A47J 37/1204; A47J 45/061; A47J 45/071; A47J 45/08; H05B 6/12

See application file for complete search history.

1 Claim, 7 Drawing Sheets



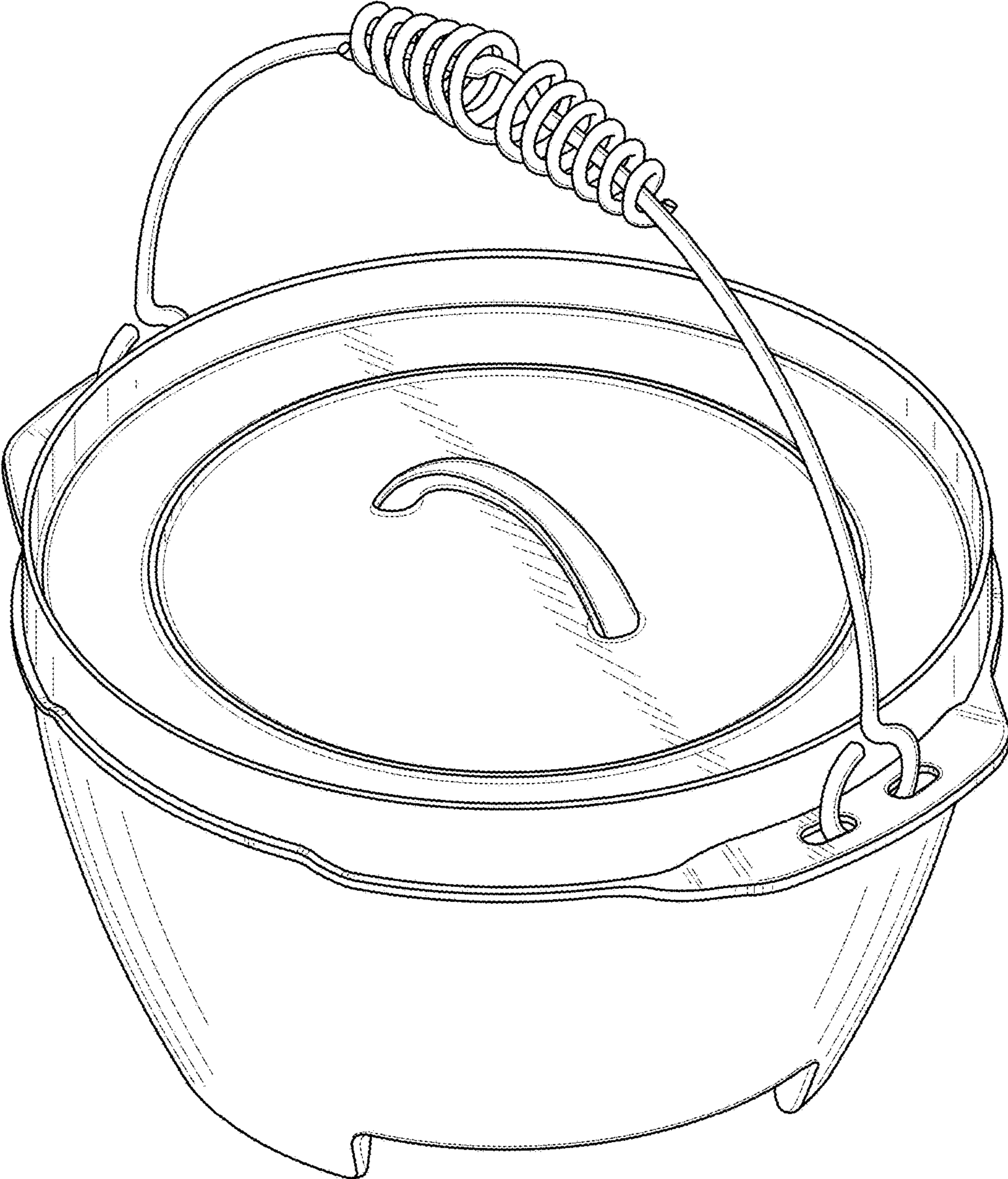


FIG. 1

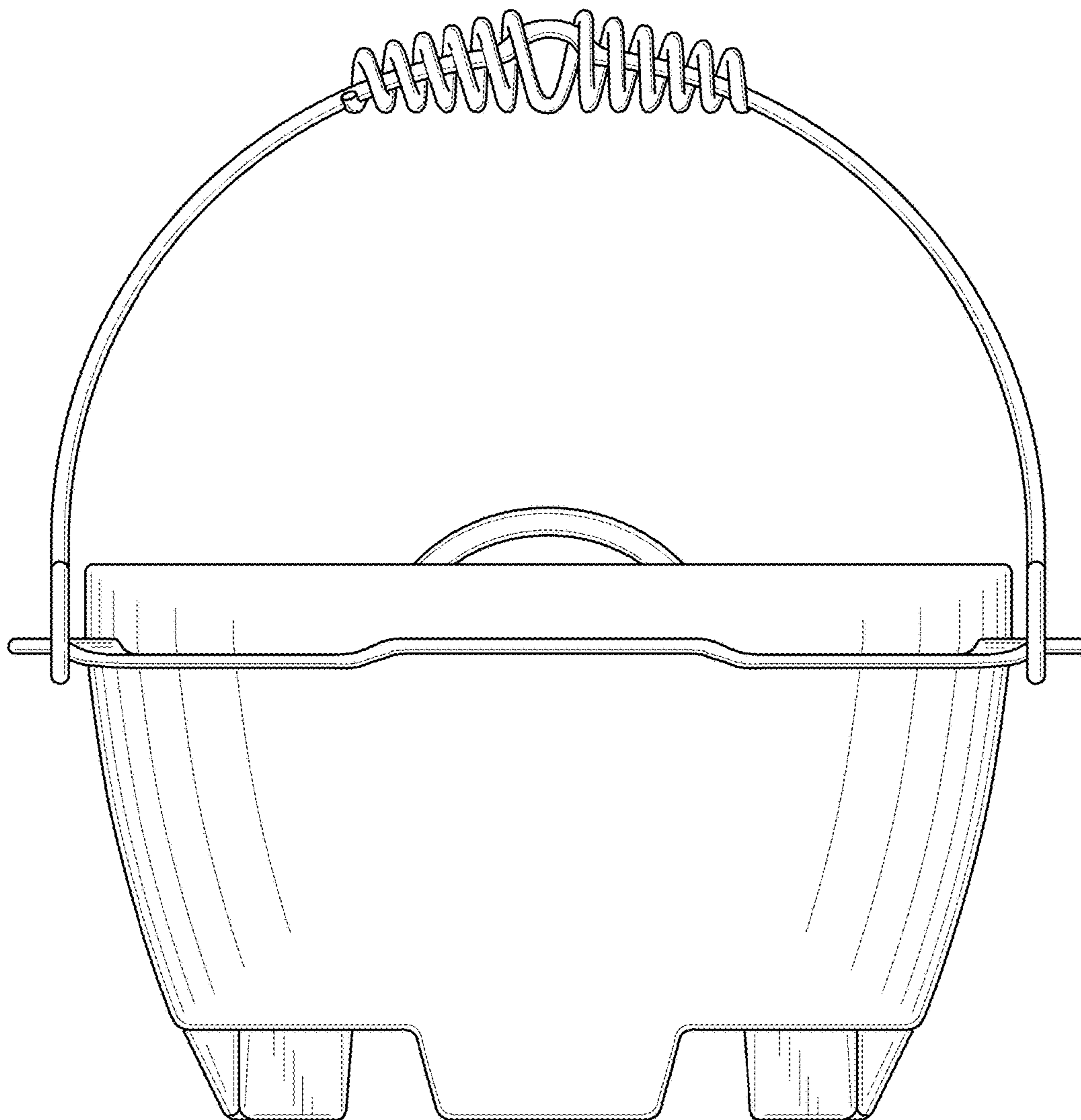


FIG. 2

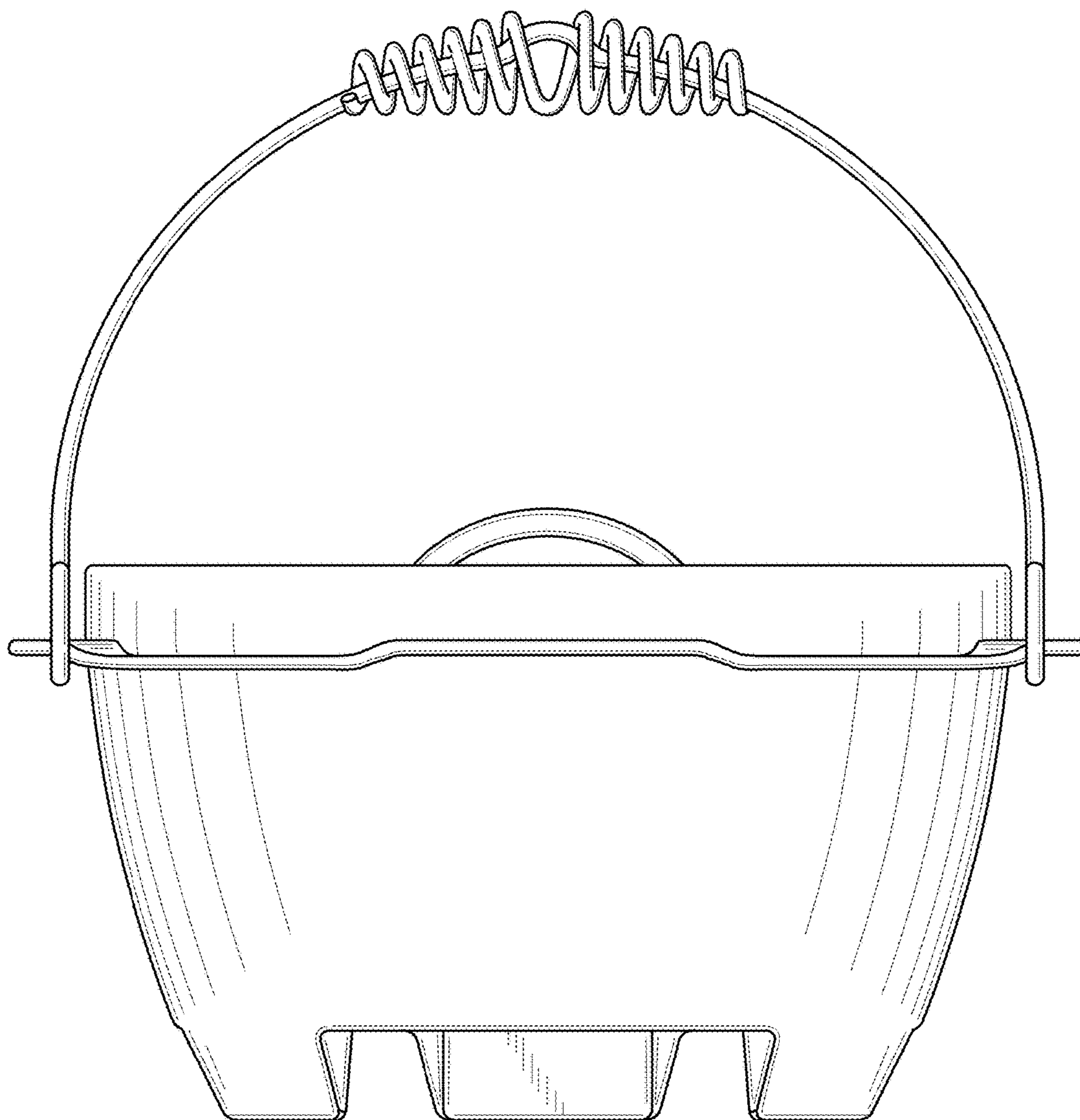


FIG. 3

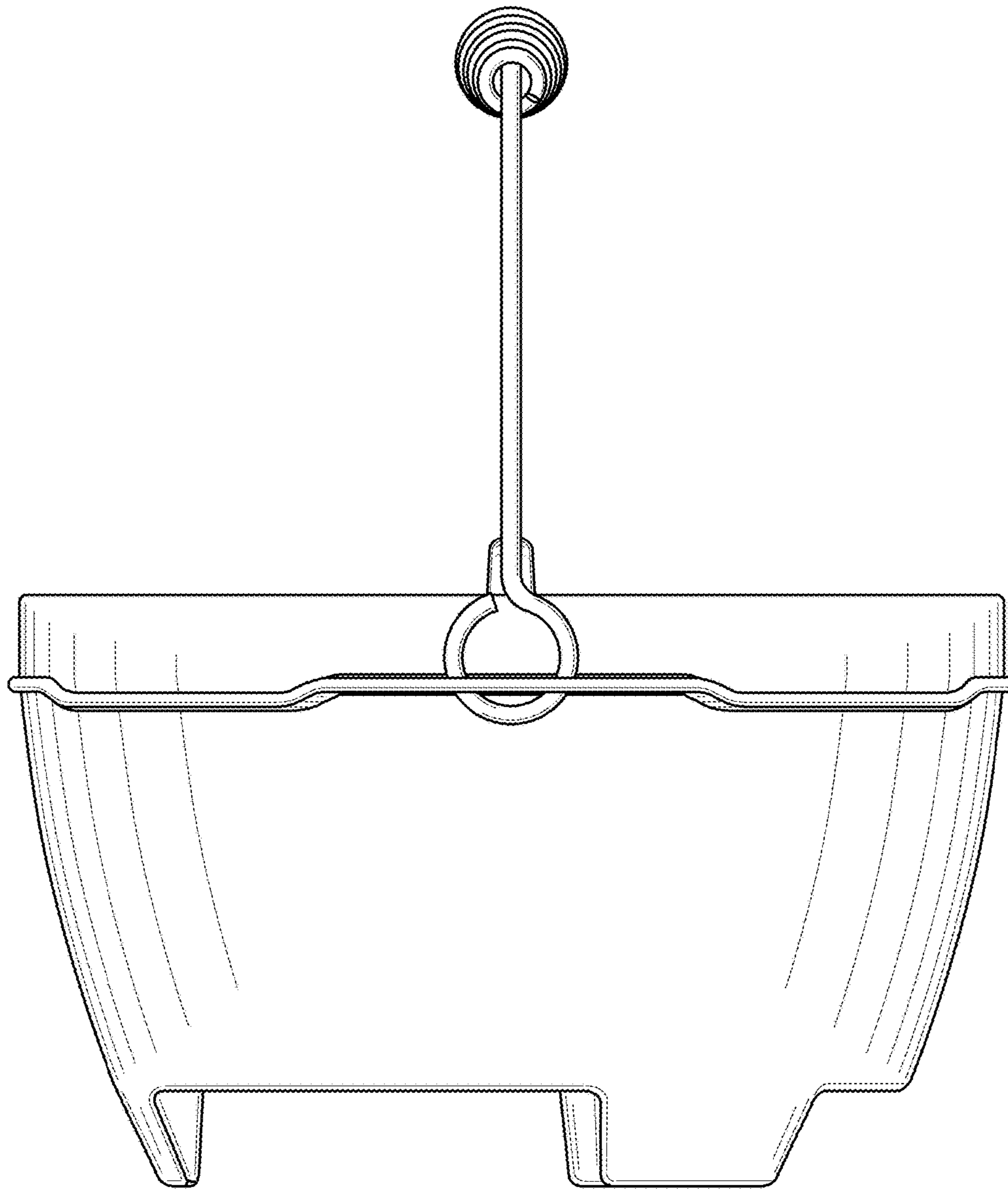


FIG. 4

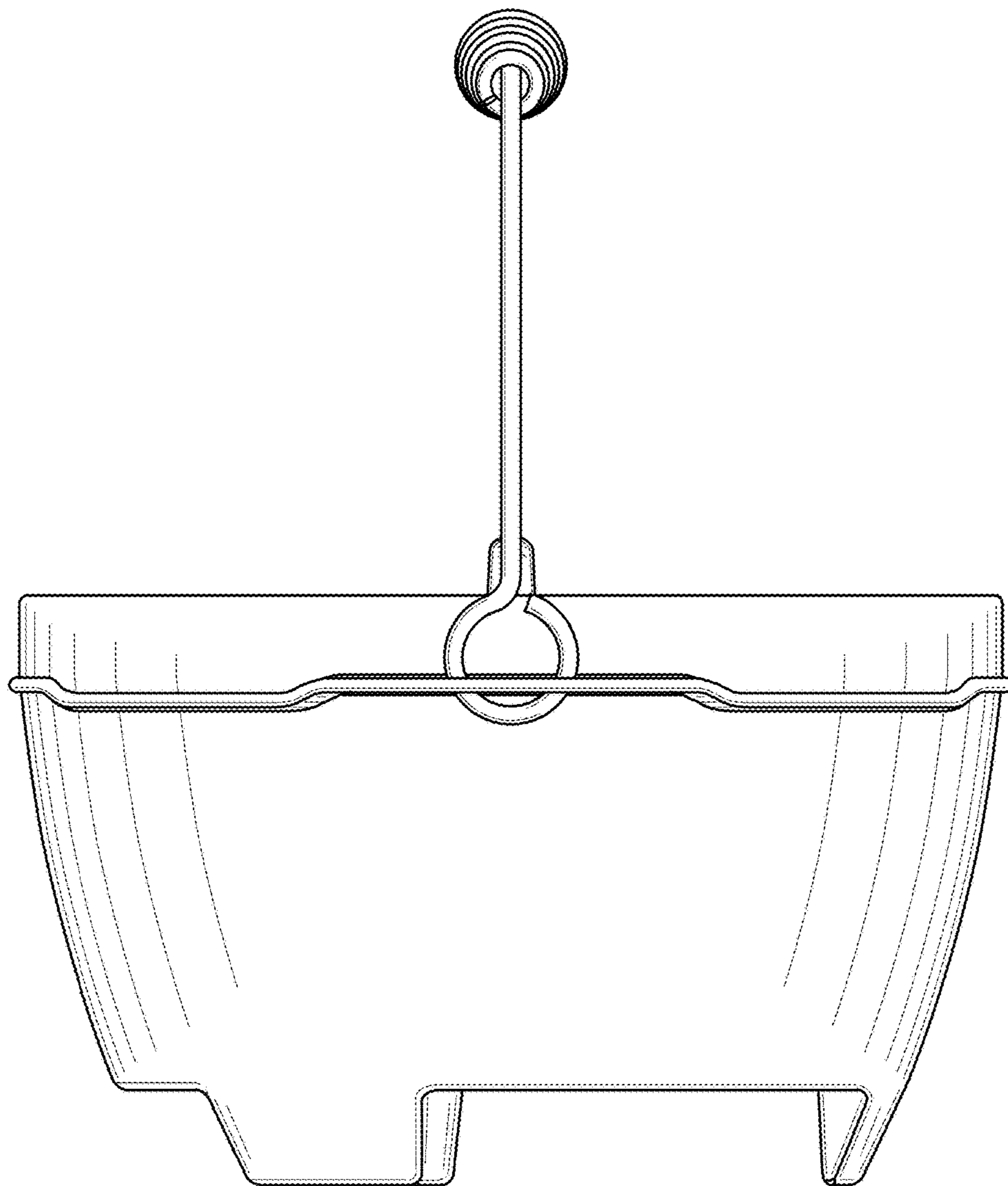


FIG. 5

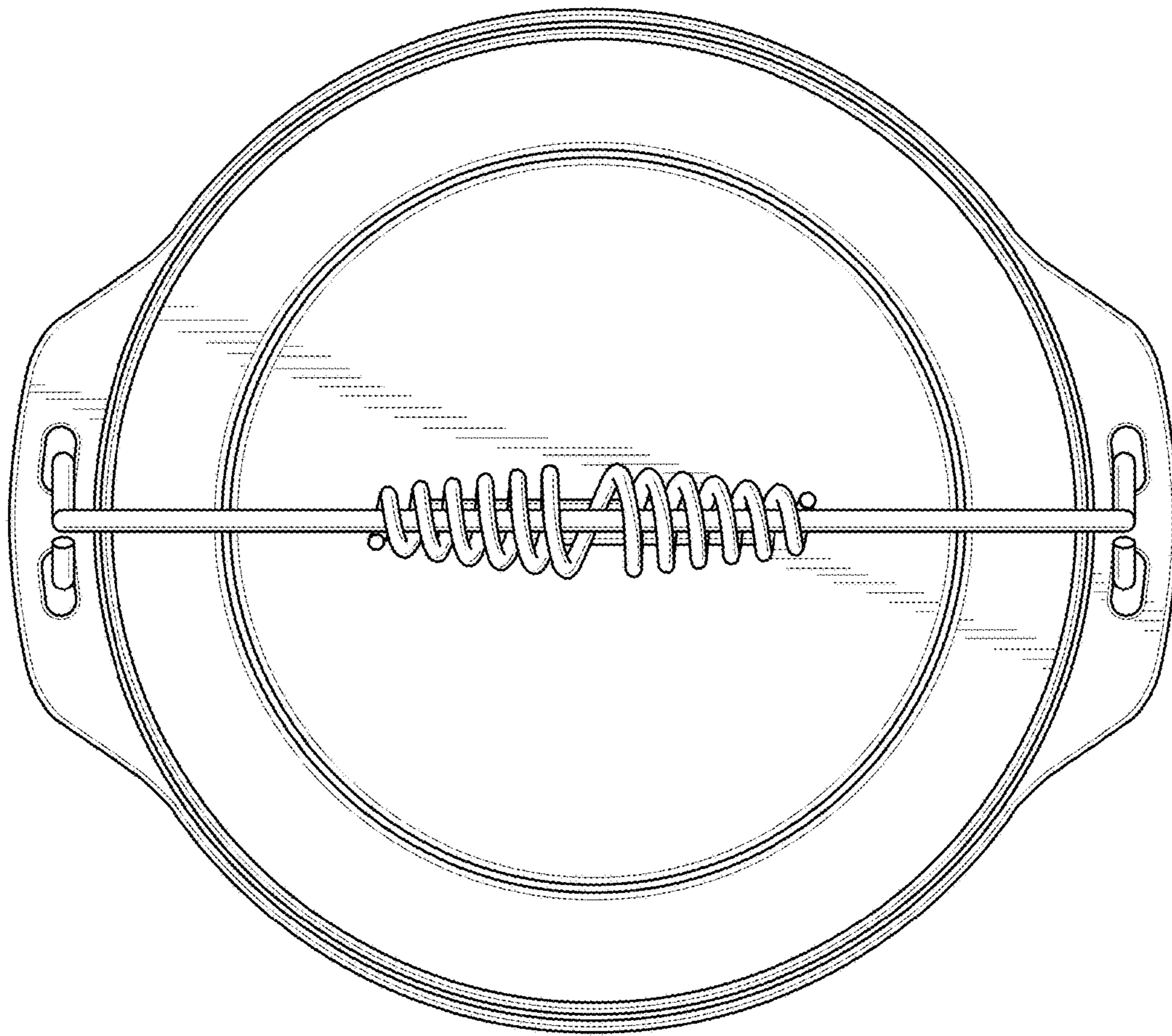


FIG. 6

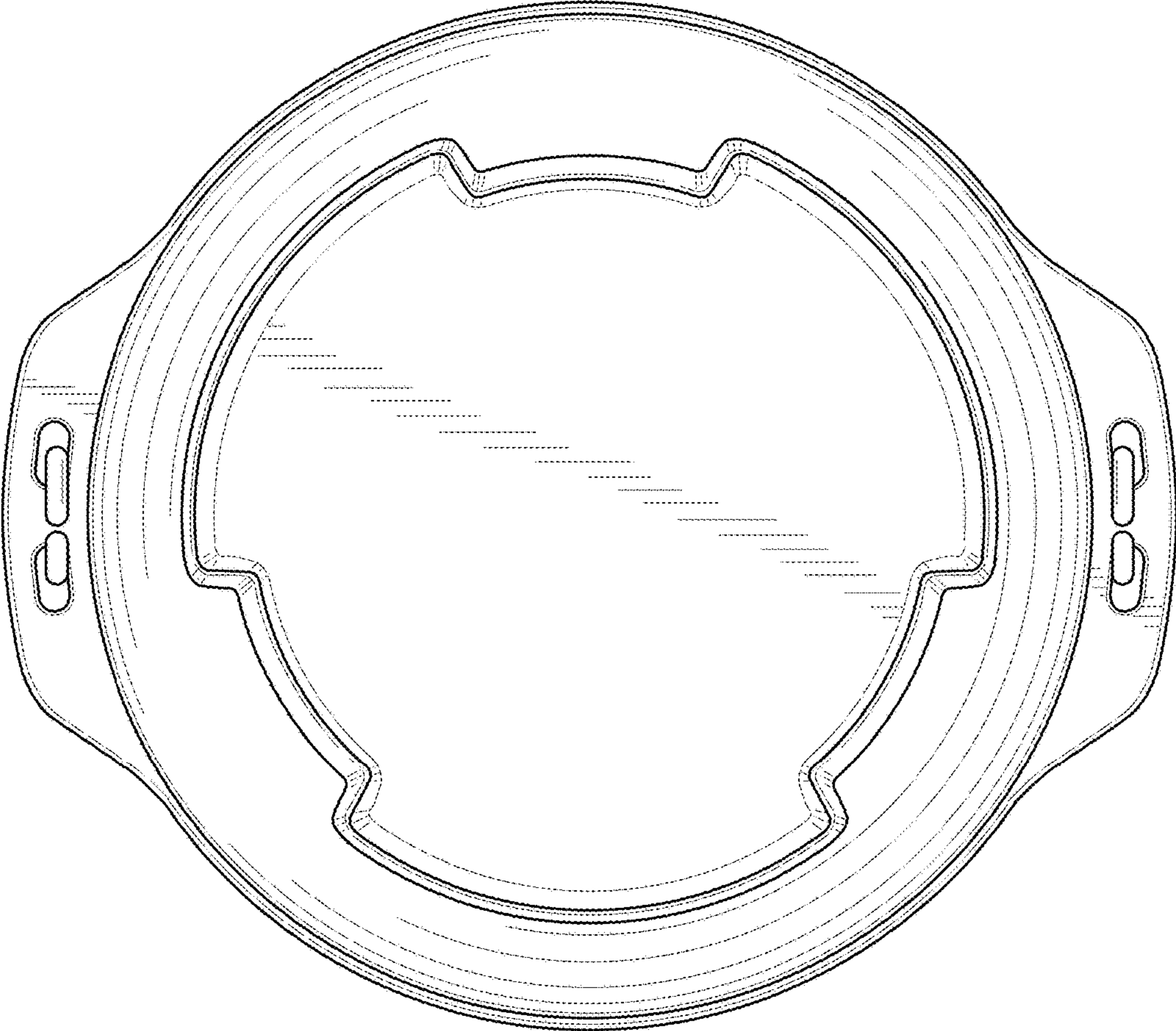


FIG. 7