



US00D811799S

(12) **United States Design Patent**
Fransen

(10) **Patent No.:** **US D811,799 S**
(45) **Date of Patent:** **** Mar. 6, 2018**

- (54) **SANDWICH PRESS**
- (71) Applicant: **Breville Pty Limited**, Alexandria, NSW (AU)
- (72) Inventor: **Adam Fransen**, Waverly (AU)
- (73) Assignee: **Breville Pty Limited**, Alexandria (AU)
- (**) Term: **15 Years**
- (21) Appl. No.: **29/591,453**
- (22) Filed: **Jan. 20, 2017**
- (30) **Foreign Application Priority Data**

- Jul. 27, 2016 (AU) 201614093
- (51) **LOC (11) Cl.** **07-02**
- (52) **U.S. Cl.**
USPC **D7/352**
- (58) **Field of Classification Search**
USPC D7/323, 328-330, 337, 347, 352-364,
D7/367, 402, 409-411
CPC . A21B 5/023; A47J 27/60; A47J 27/62; A47J
37/04; A47J 37/06; A47J 37/067; A47J
37/0605; A47J 37/0611; A47J 37/0623;
A47J 37/0629; A47J 37/0676; A47J
2037/06; A47J 2037/0611; F24C 15/10;
F24C 15/102; H05B 6/02; H05B 6/062
See application file for complete search history.

(56) **References Cited**

U.S. PATENT DOCUMENTS

- 6,439,108 B1 * 8/2002 Wu A47J 37/0611
99/349
- D509,703 S * 9/2005 Barker D7/352

- D528,350 S * 9/2006 McHutchison D7/352
- D539,074 S * 3/2007 Lubowicki D7/352
- D546,619 S * 7/2007 McHutchison D7/352
- D588,858 S * 3/2009 Tetreault D7/352
- D622,538 S * 8/2010 Hoare D7/352
- D632,126 S * 2/2011 Tetreault D7/352
- D632,127 S * 2/2011 Whitcombe D7/352
- D714,092 S * 9/2014 Verbrugge D7/352

FOREIGN PATENT DOCUMENTS

EM00000003176965-0003 6/2016

* cited by examiner

Primary Examiner — Ricky Pham

(74) *Attorney, Agent, or Firm* — Moser Taboada

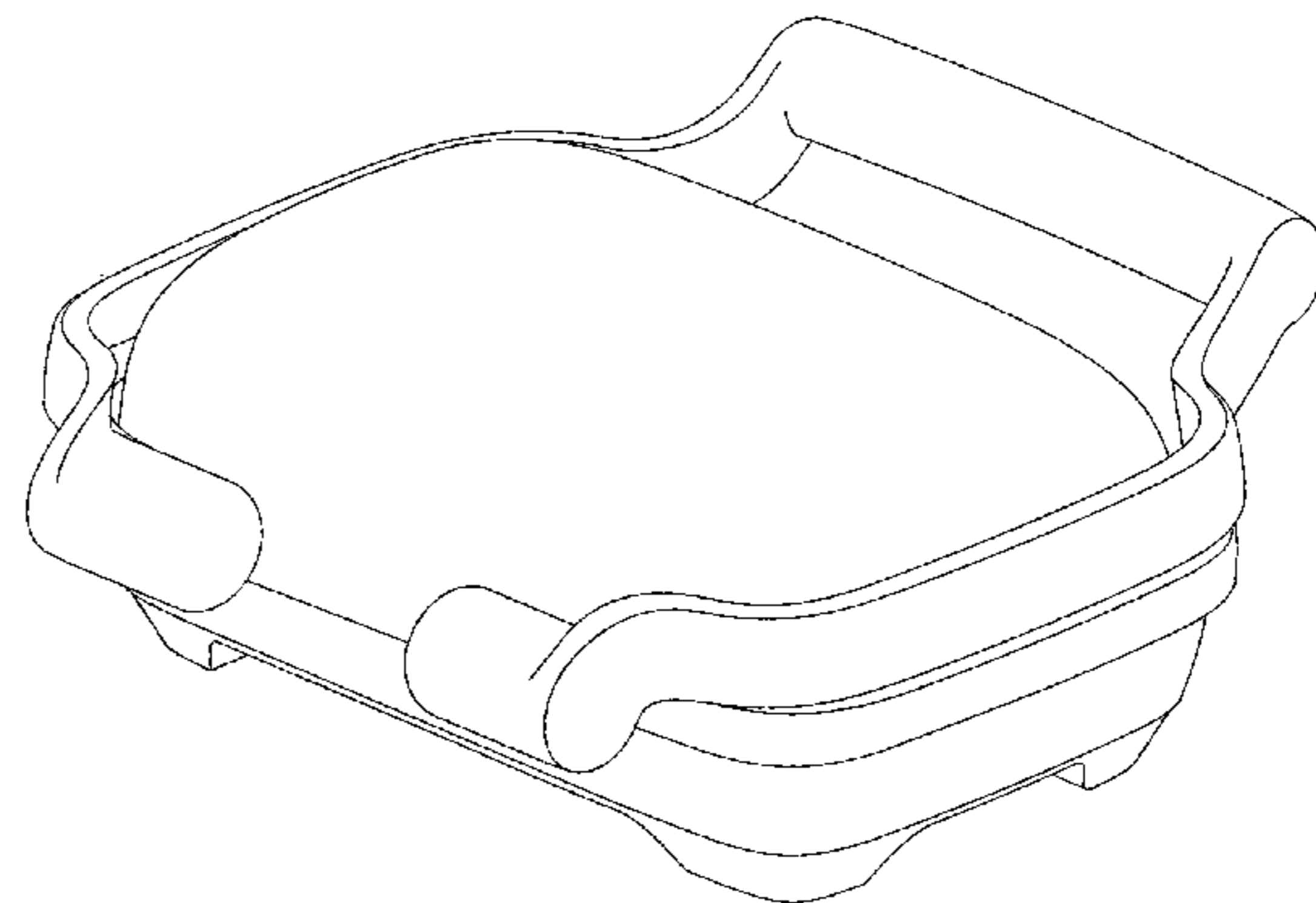
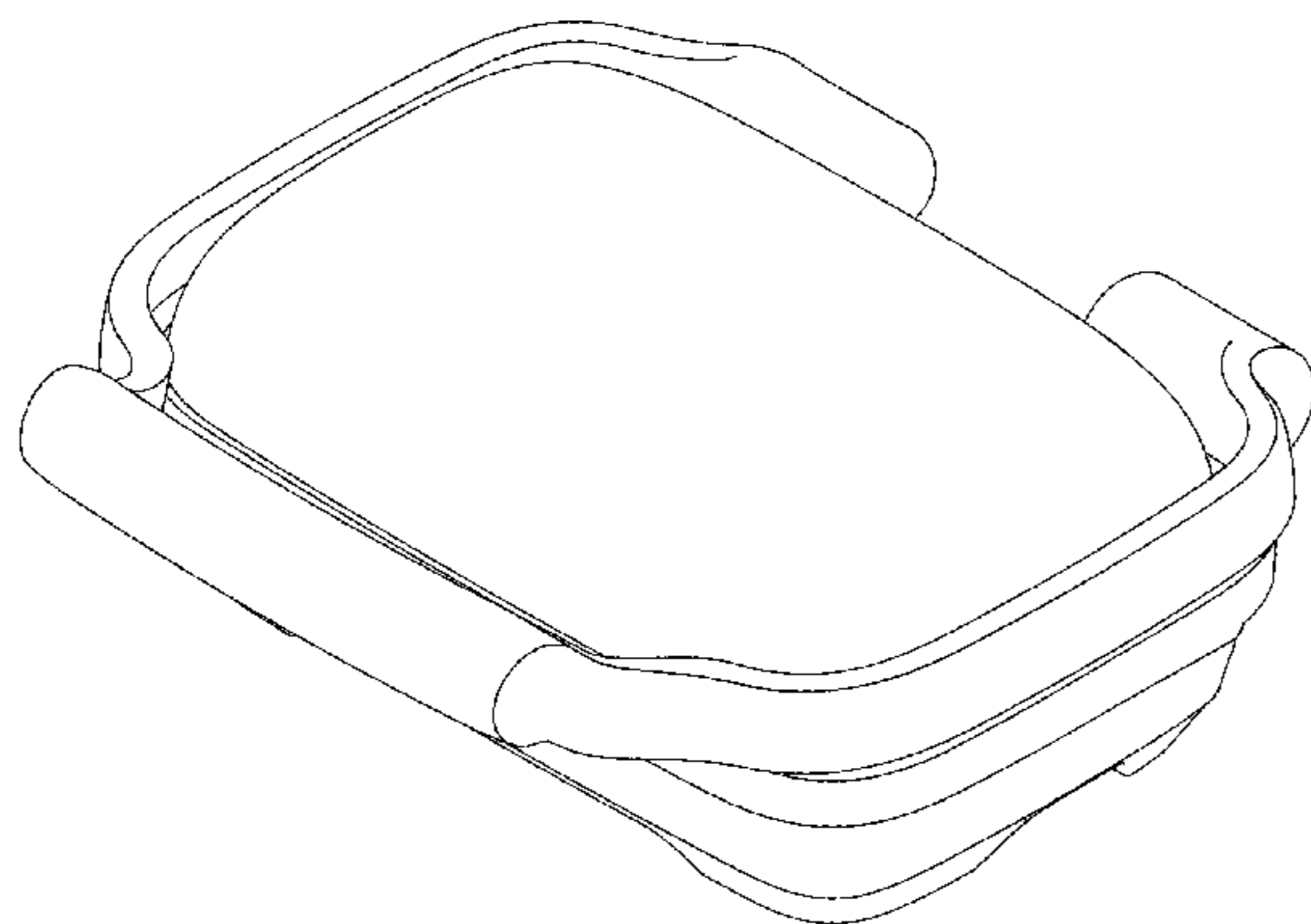
(57) **CLAIM**

The ornamental design for a sandwich press, as shown and described.

DESCRIPTION

FIG. 1 is a front perspective view of a sandwich press showing the new design;
 FIG. 2 is a rear perspective view thereof; (e.g. left side or right side view) etc.
 FIG. 3 is a front view thereof;
 FIG. 4 is a rear view thereof;
 FIG. 5 is a left side view thereof;
 FIG. 6 is a right side view thereof;
 FIG. 7 is a top view thereof; and,
 FIG. 8 is a bottom view thereof.

1 Claim, 8 Drawing Sheets



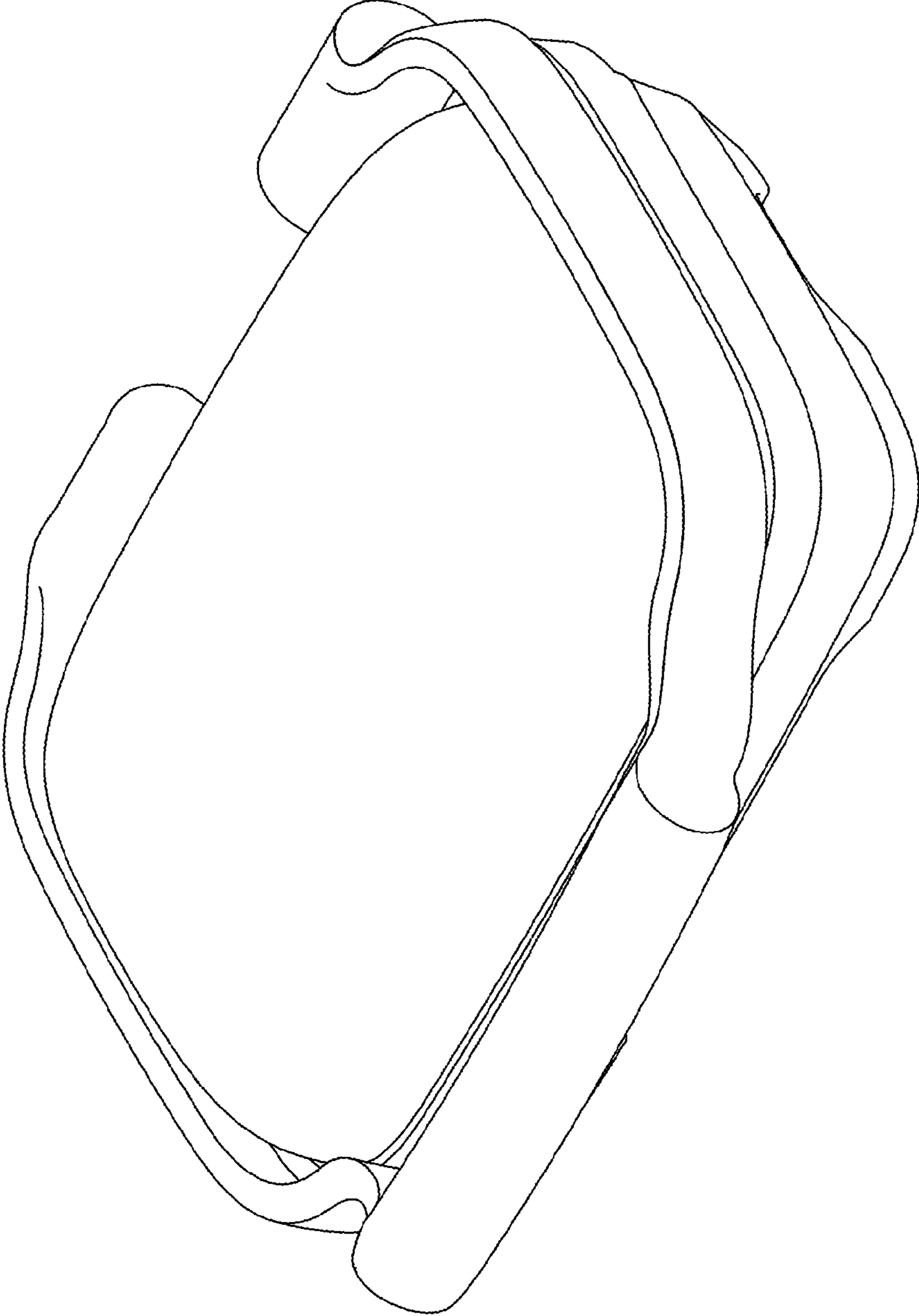


Figure 1

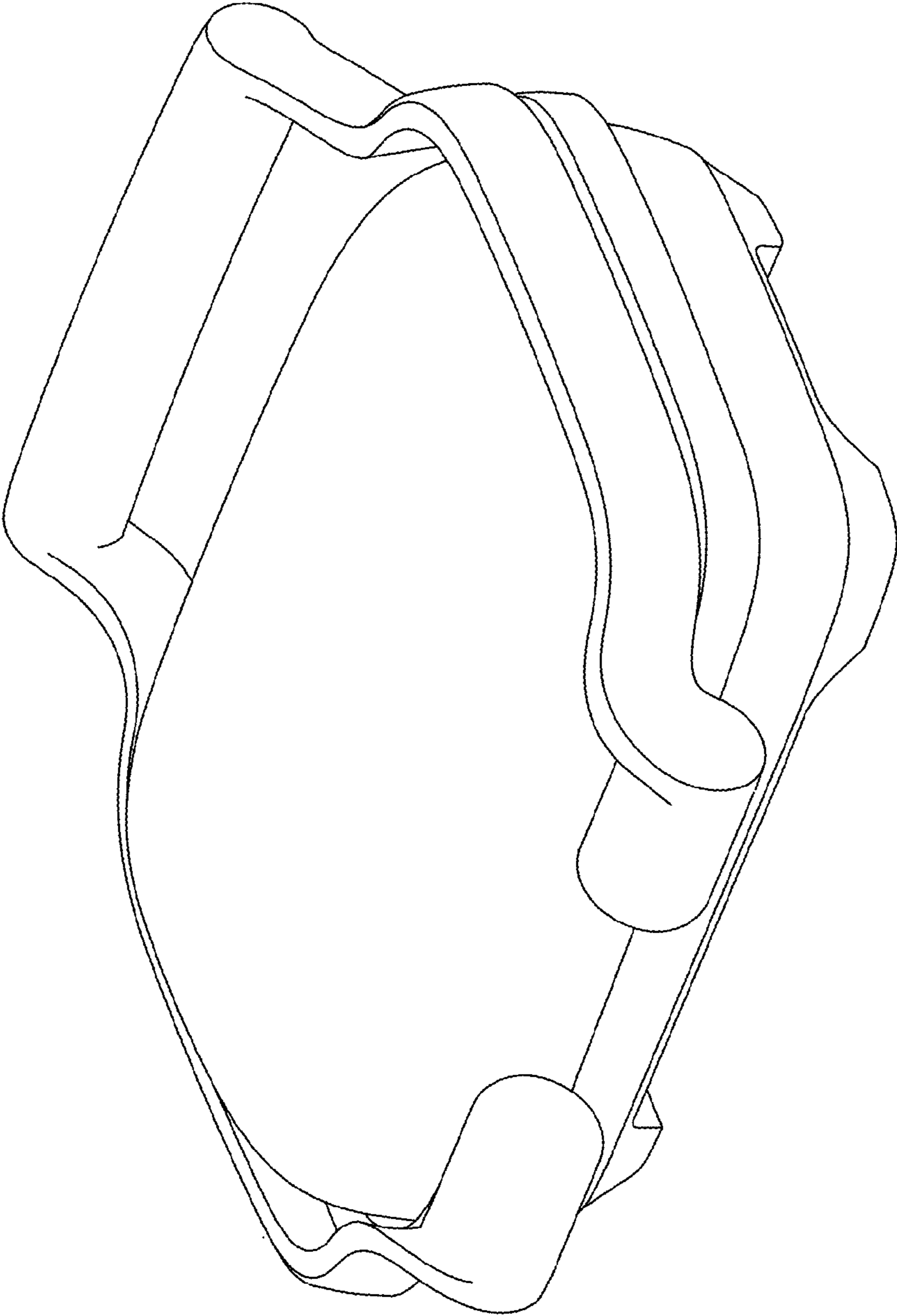


Figure 2

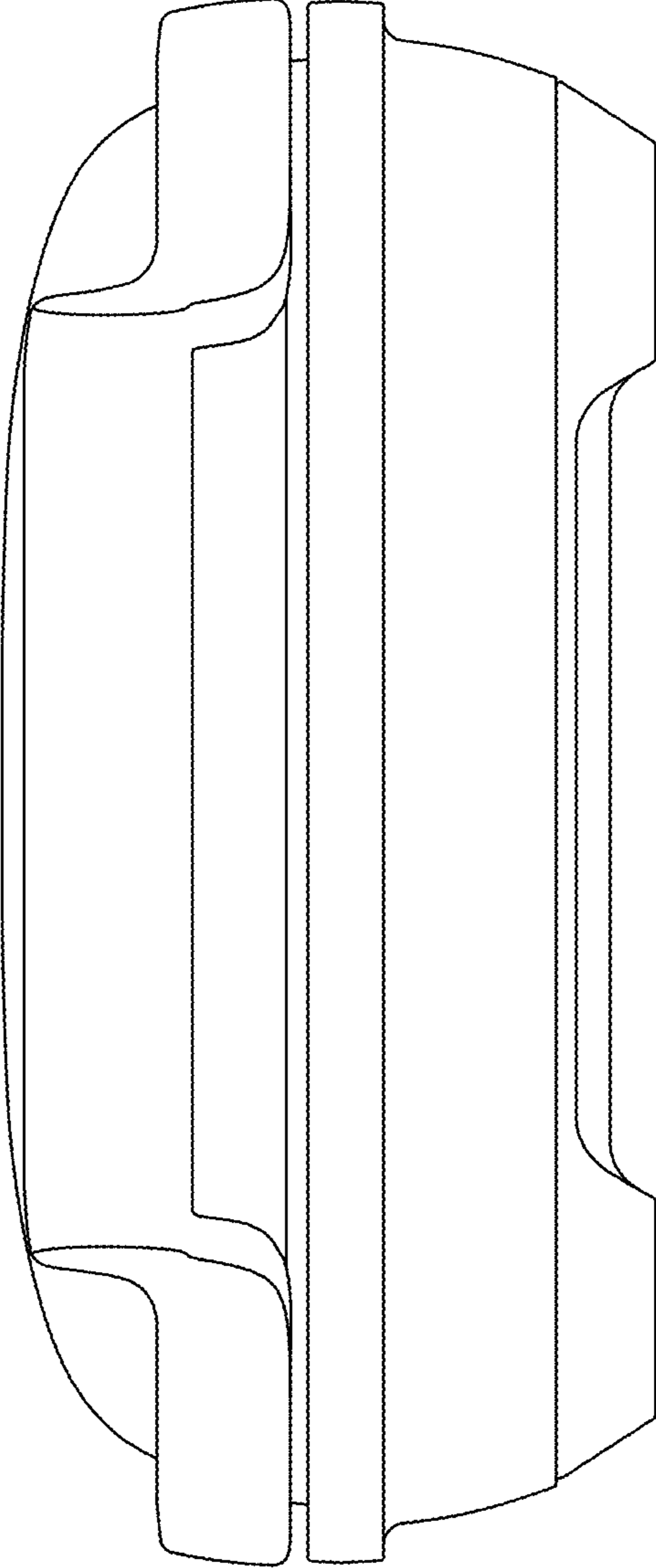


Figure 3

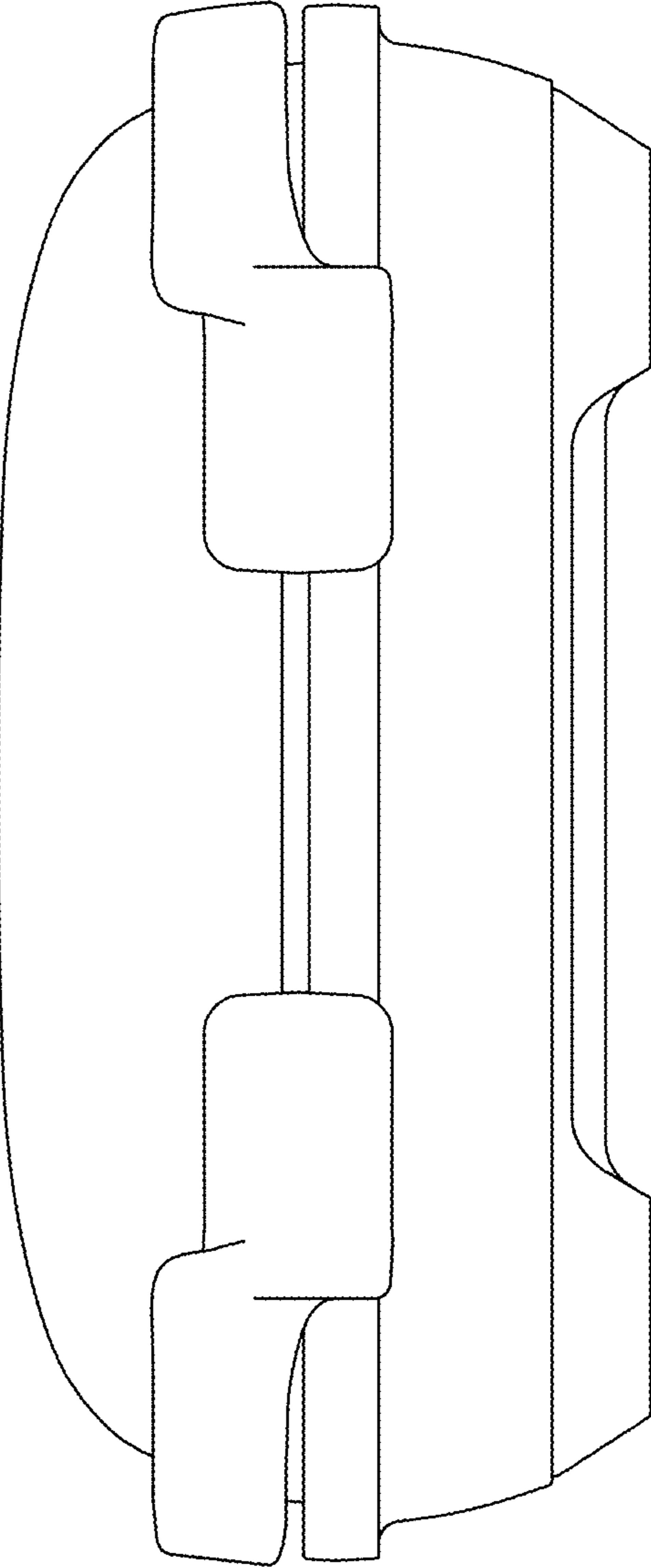


Figure 4

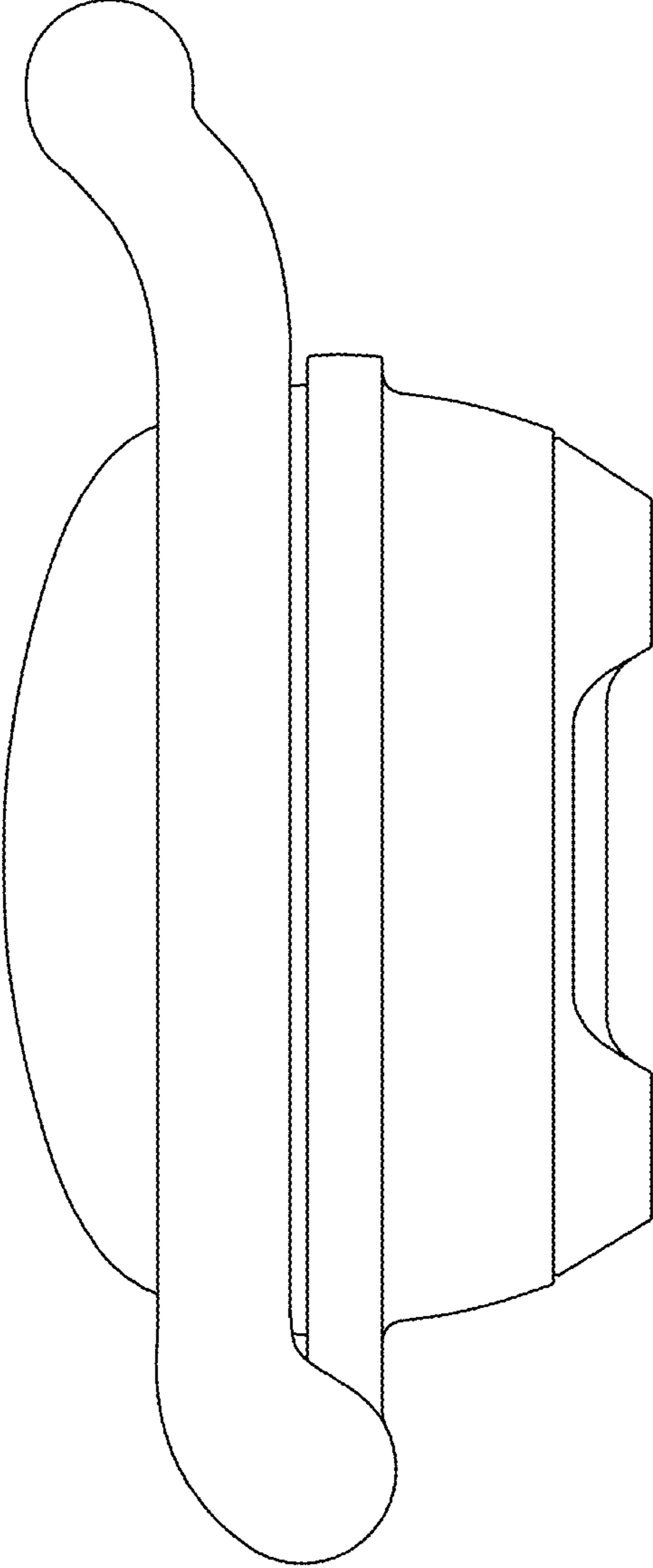


Figure 5

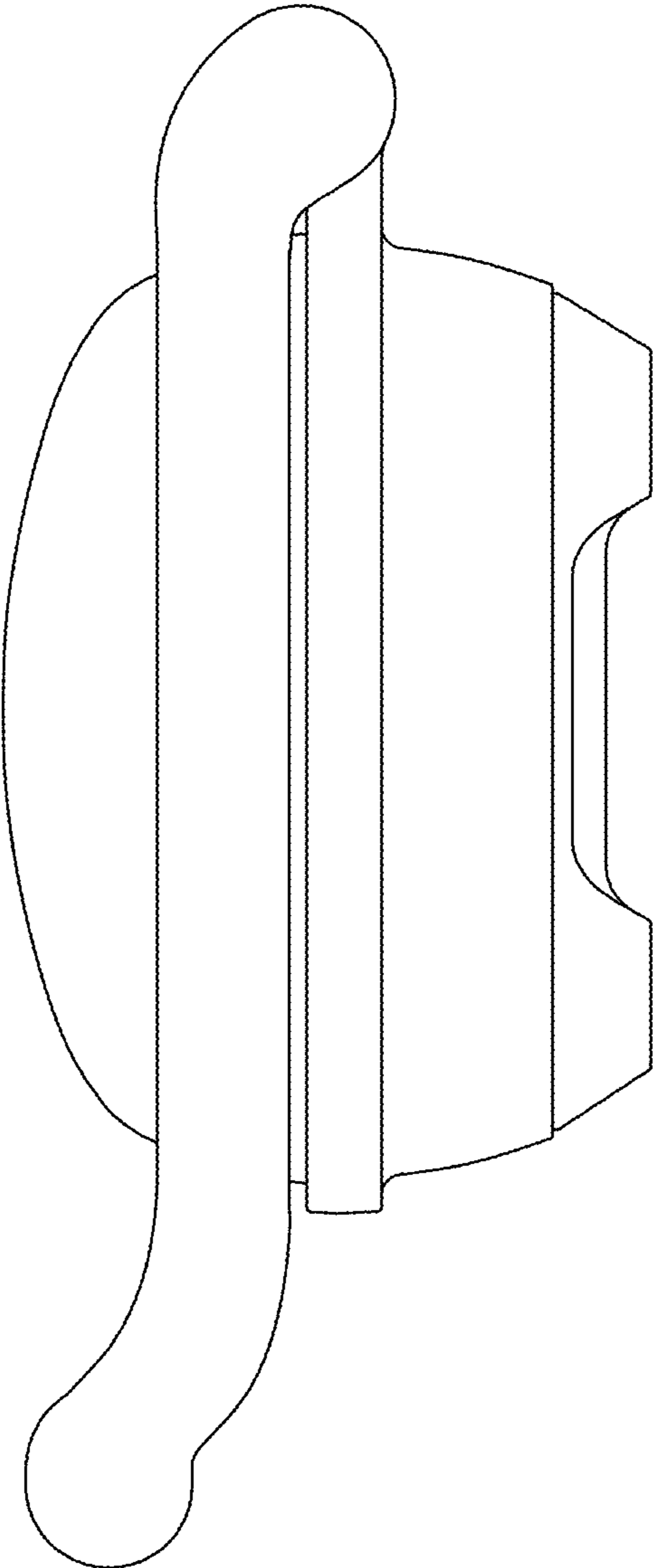


Figure 6

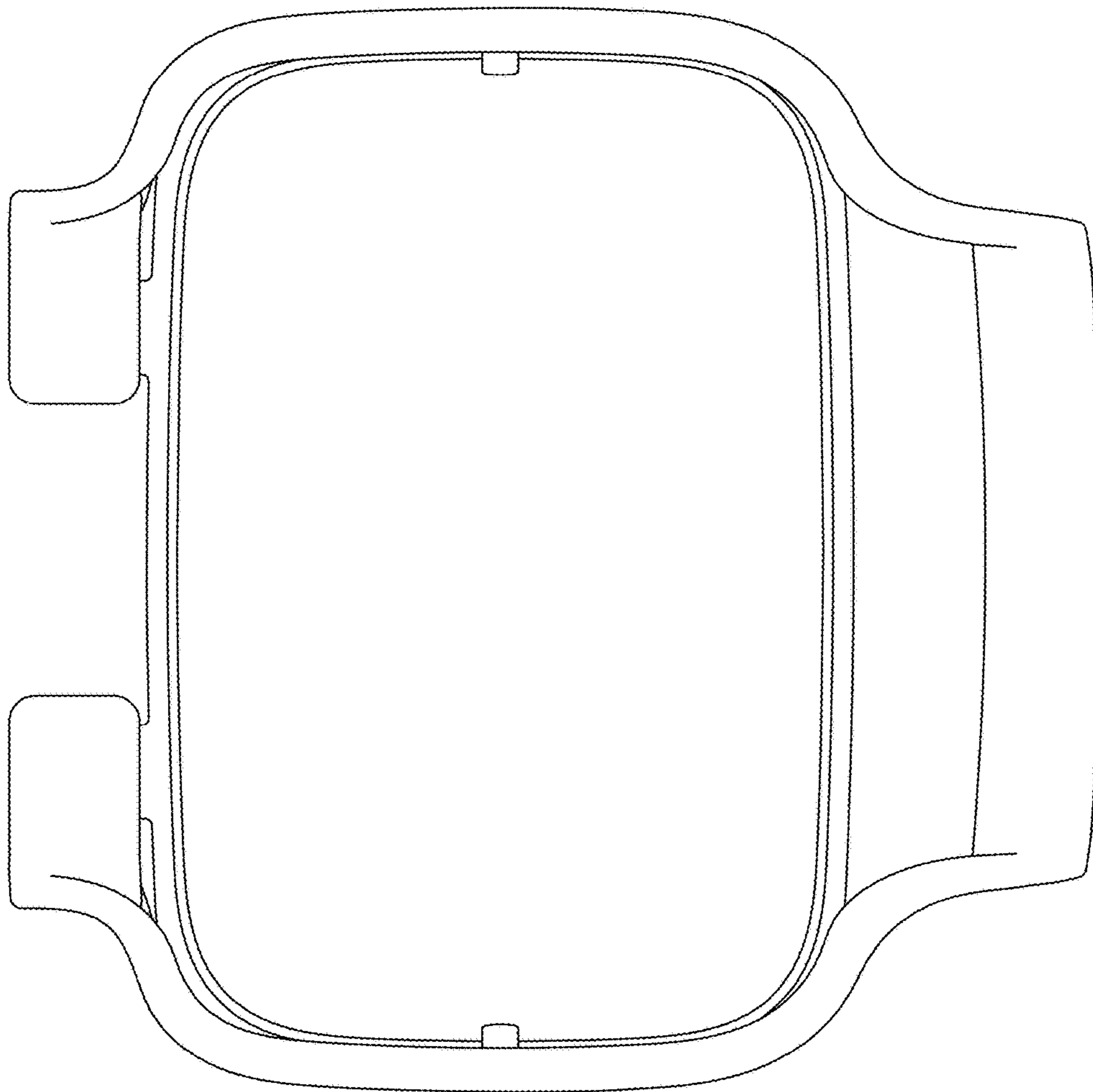


Figure 7

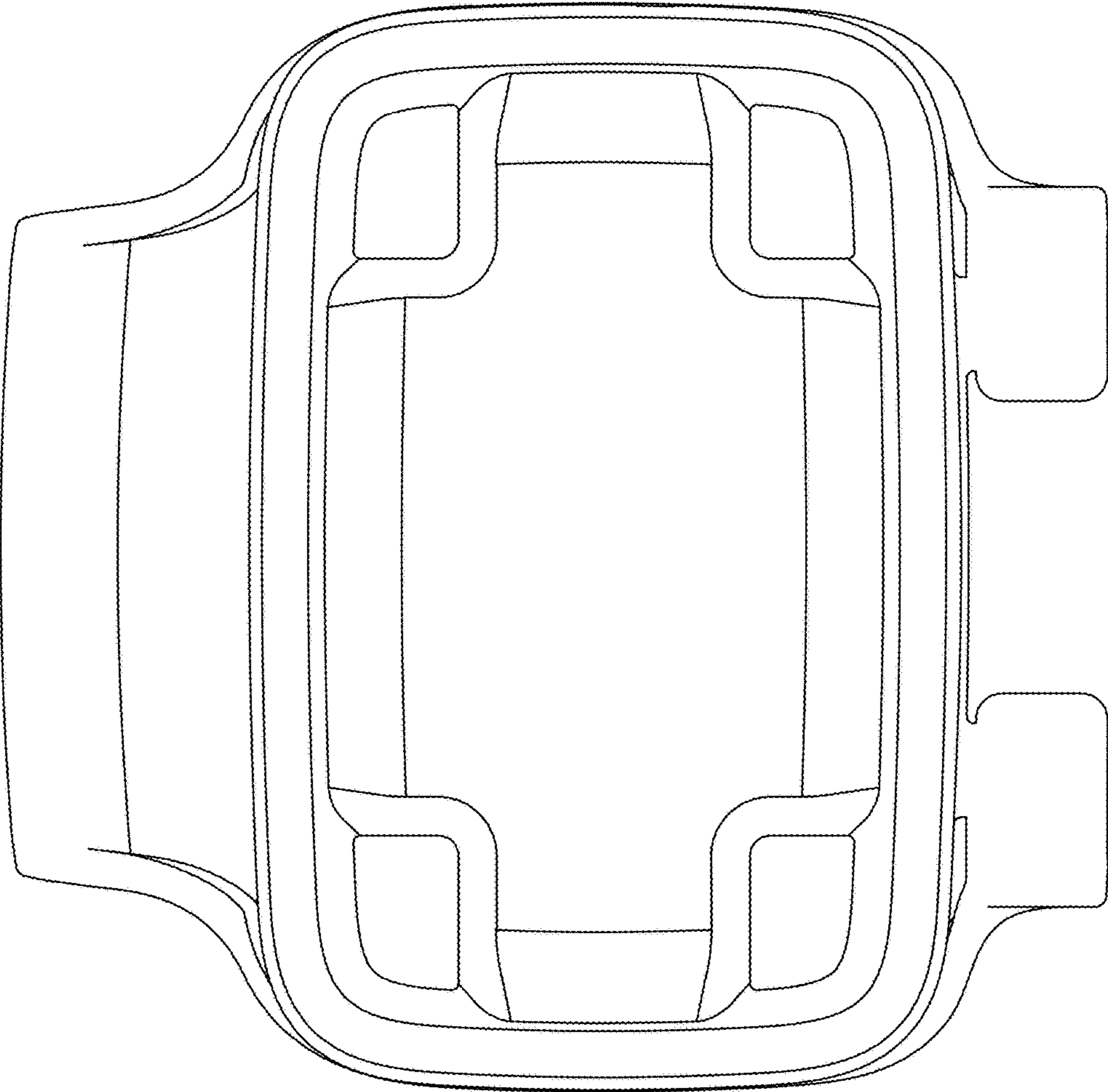


Figure 8