



US00D811797S

(12) **United States Design Patent** (10) **Patent No.:** **US D811,797 S**  
**Mansueto et al.** (45) **Date of Patent:** **\*\* Mar. 6, 2018**

(54) **BARBEQUE**

B60H 3/00; B32B 15/04; A62C 3/00;  
A47J 37/00; A47J 37/04; A47J 37/06;  
A47J 37/07

(71) Applicant: **SHRIRO AUSTRALIA PTY LIMITED**, Kingsgrove, New South Wales (AU)

See application file for complete search history.

(72) Inventors: **David Mansueto**, New South Wales (AU); **David Jones**, New South Wales (AU); **Anson Li**, New South Wales (AU)

(56) **References Cited**

U.S. PATENT DOCUMENTS

(73) Assignee: **SHRIRO AUSTRALIA PTY LIMITED**, Kingsgrove, New South Wales (AU)

D631,685 S *	2/2011	Tiller .....	D7/337
D677,111 S *	3/2013	Chung .....	D7/337
D688,510 S *	8/2013	Stirn .....	D7/334
D722,467 S *	2/2015	Chung .....	D7/337
D726,494 S *	4/2015	Mazoyer .....	D7/362
D758,785 S *	6/2016	Verbrugge .....	D7/352
D772,637 S *	11/2016	Barquin .....	D7/337
D775,489 S *	1/2017	Zemel .....	D7/332

(\*\*) Term: **15 Years**

\* cited by examiner

(21) Appl. No.: **29/564,664**

*Primary Examiner* — Marianne Pandozzi

*Assistant Examiner* — Suzanne Tisdell

(22) Filed: **May 13, 2016**

(74) *Attorney, Agent, or Firm* — Ladas & Parry, LLP

(30) **Foreign Application Priority Data**

(57) **CLAIM**

We claim the ornamental design for a barbeque, as shown and described.

Nov. 13, 2015 (AU) ..... 201516066

**DESCRIPTION**

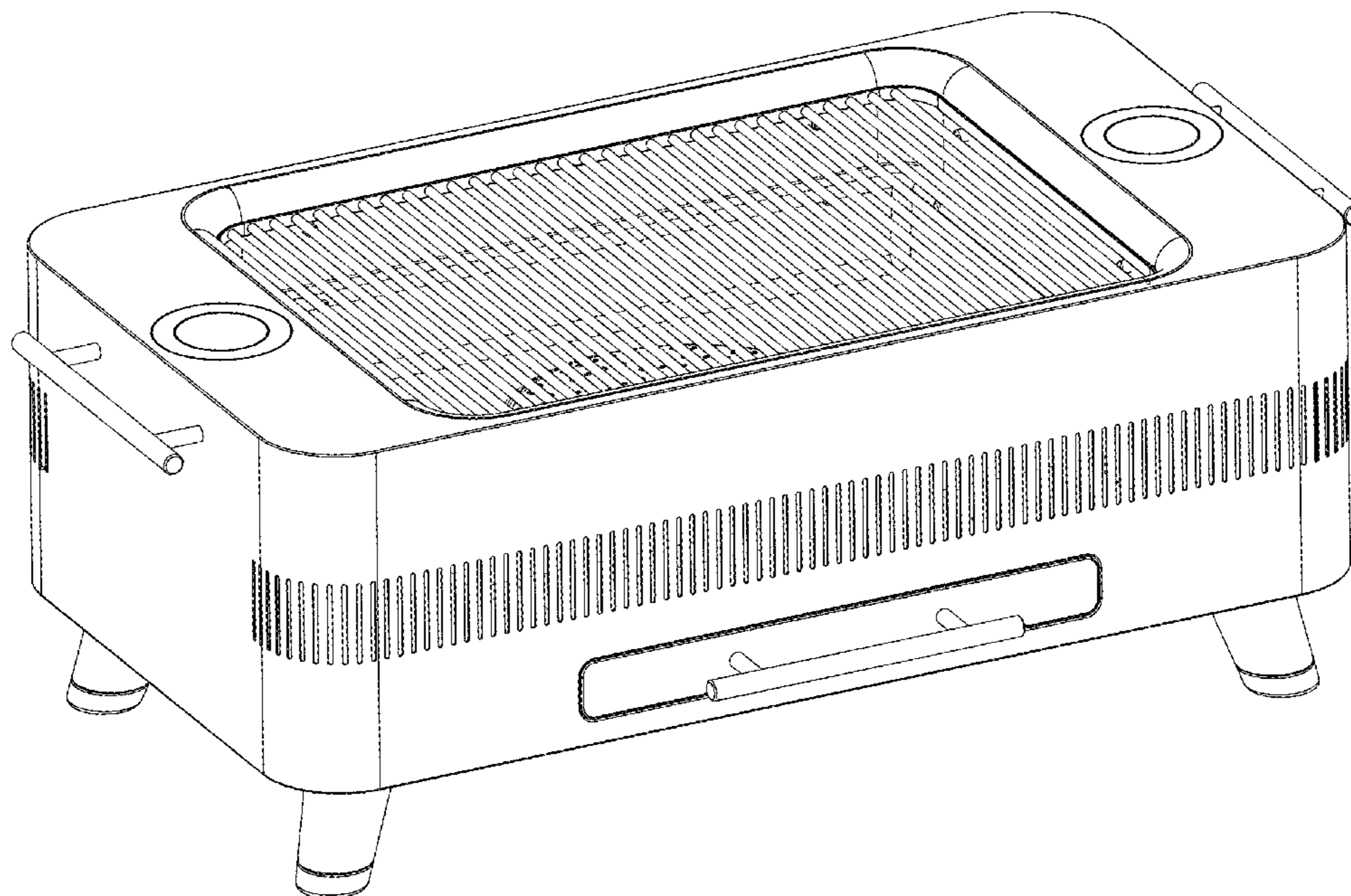
(51) **LOC (11) Cl.** ..... **07-02**

(52) **U.S. Cl.**  
USPC ..... **D7/337**

(58) **Field of Classification Search**  
USPC ..... D7/213, 323, 324, 325, 326, 327, 328,  
D7/329, 330, 331, 332, 333, 334, 335,  
D7/336, 337, 402, 404, 405, 406, 407  
CPC .... G05D 7/00; F24F 13/07; F24C 5/00; F24C  
5/20; F24C 3/00; F24C 3/10; F24C 3/12;  
F24C 15/06; F24C 15/10; F24C 15/16;  
F24C 15/20; F24B 3/00; F23N 5/22;

FIG. 1 is a front perspective view of a barbeque in accordance with the design;  
FIG. 2 is a front view of the design thereof;  
FIG. 3 is a right side view of the design thereof;  
FIG. 4 is a left side view of the design thereof;  
FIG. 5 is a top view of the design thereof; and,  
FIG. 6 is a bottom view of the design thereof.  
The broken lines in the Figures are for environmental purposes only and form no part of the claimed design.

**1 Claim, 6 Drawing Sheets**



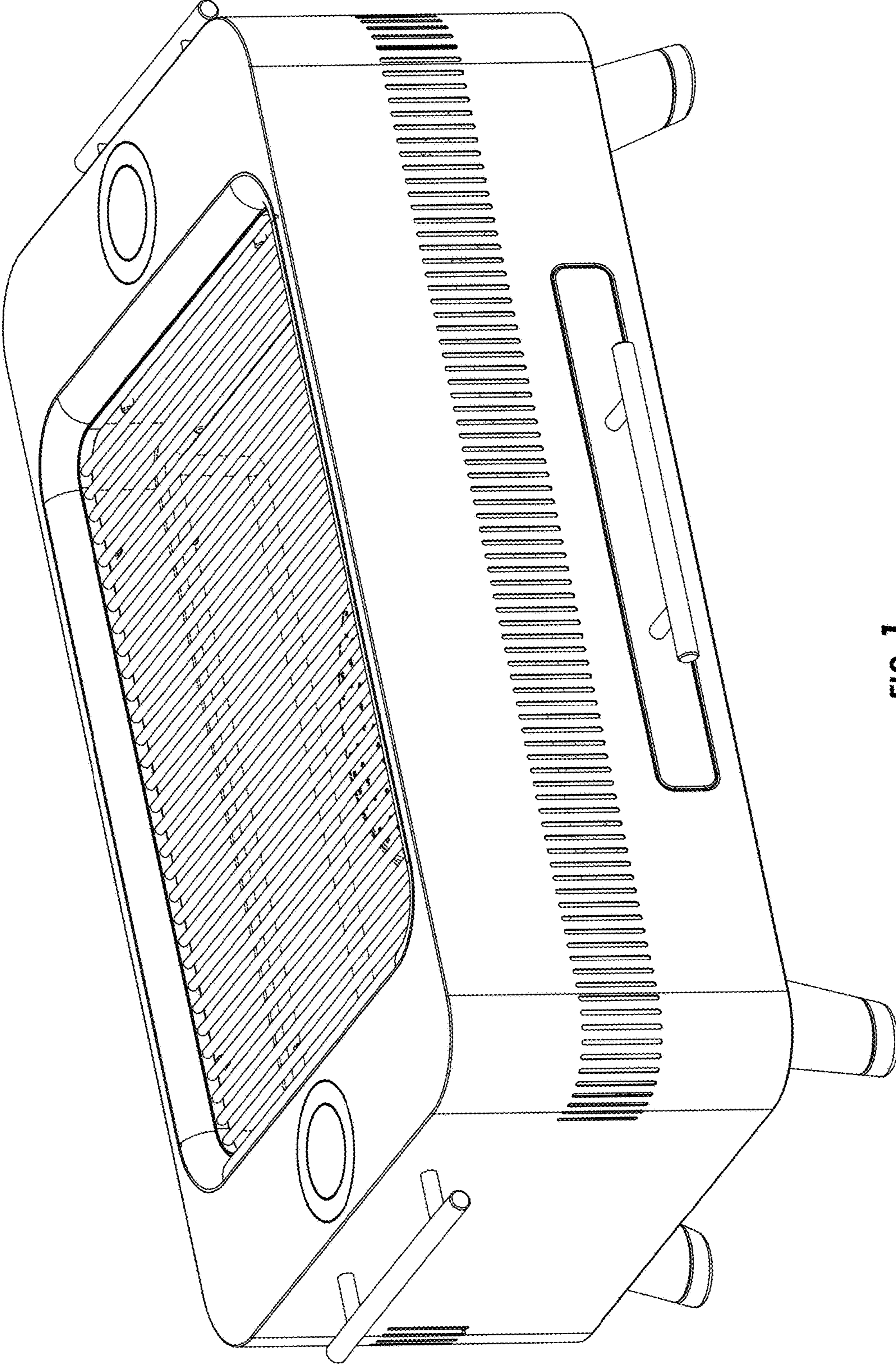


FIG. 1

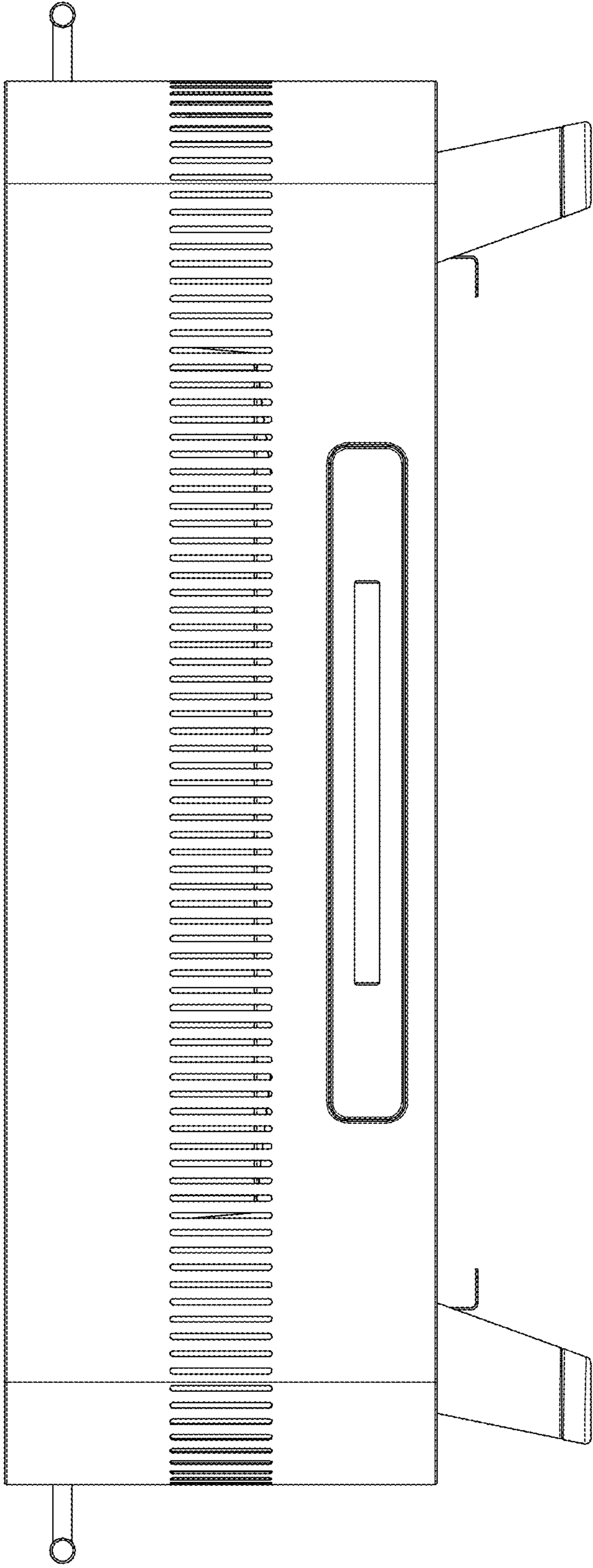


FIG. 2

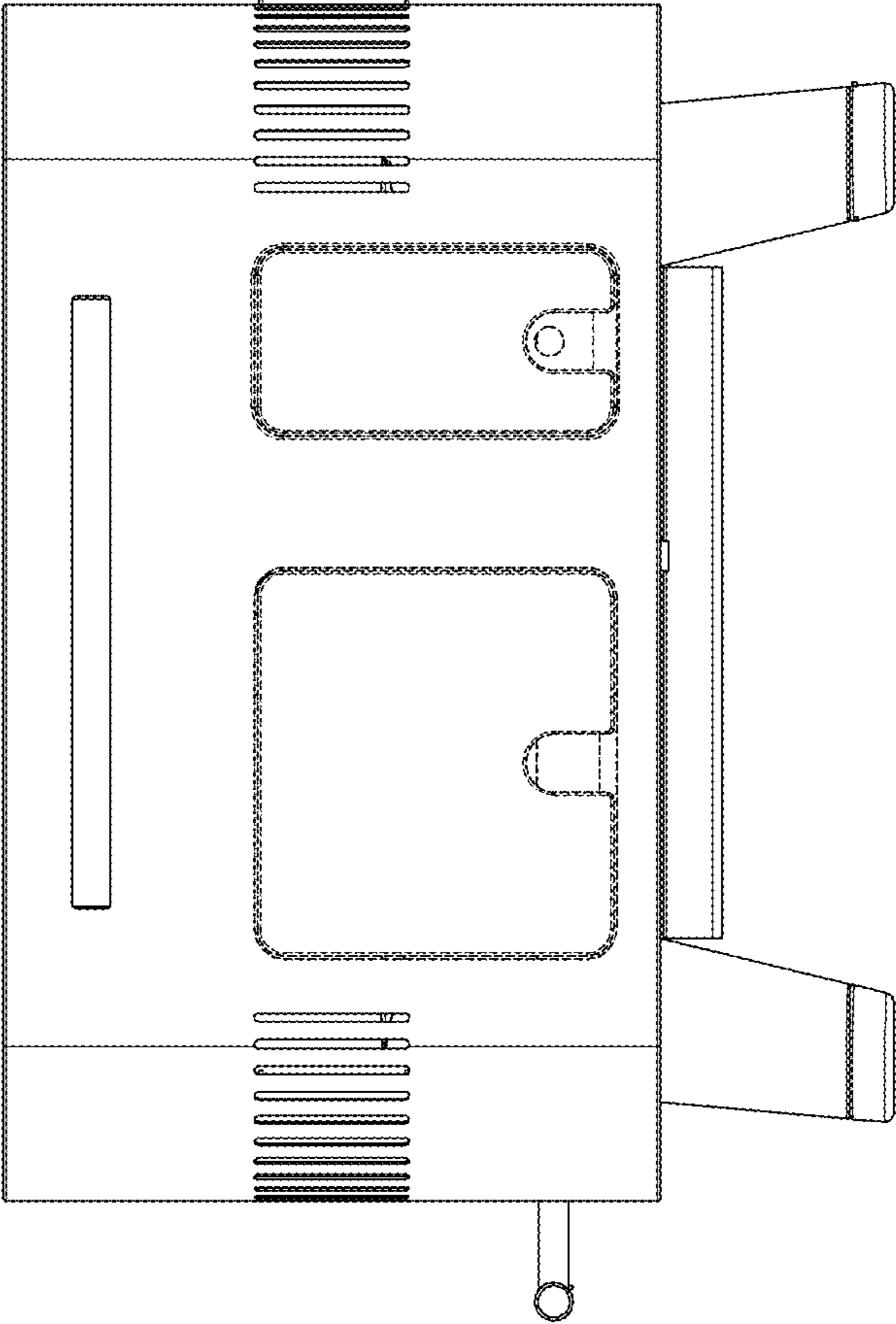


FIG. 3

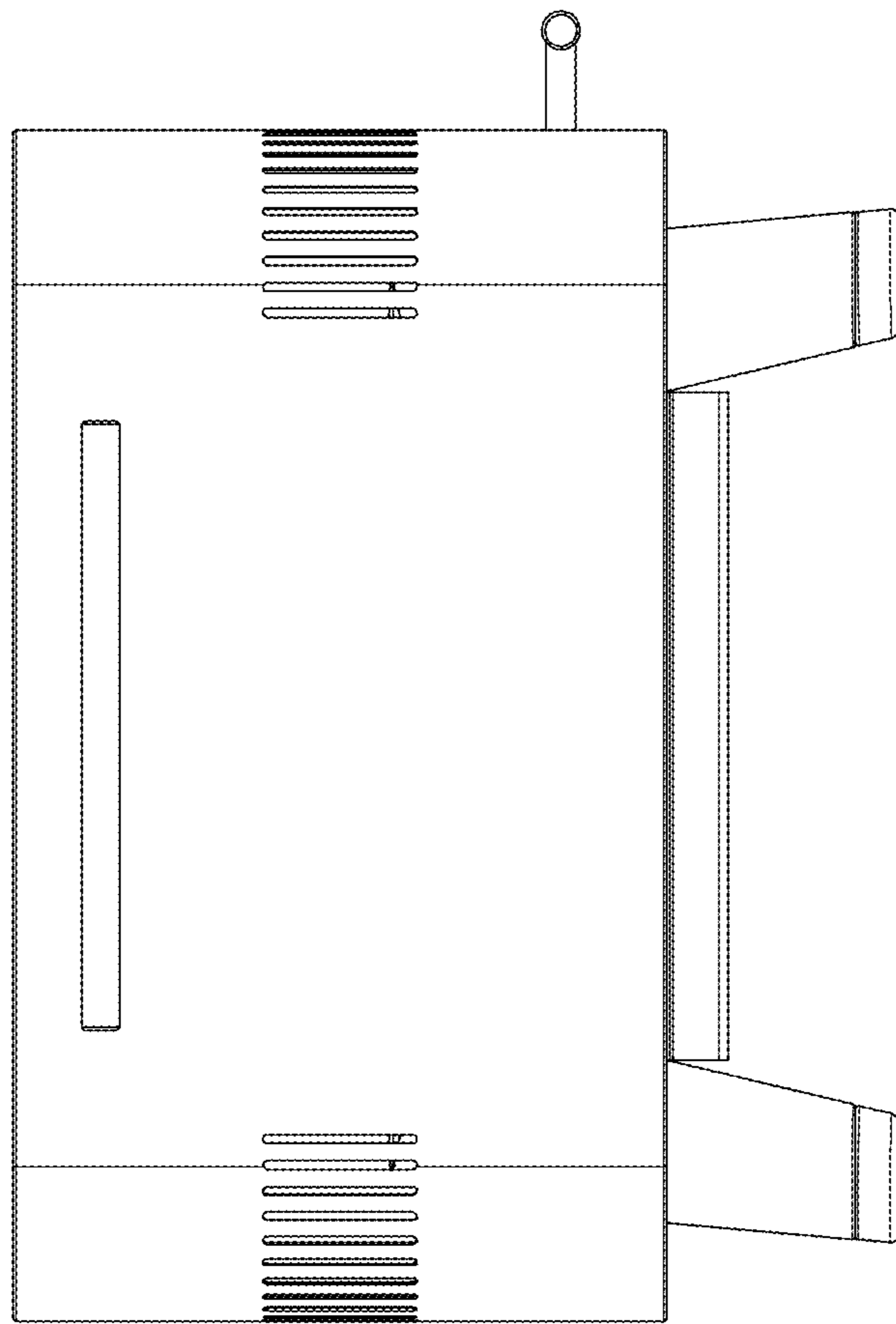


FIG. 4

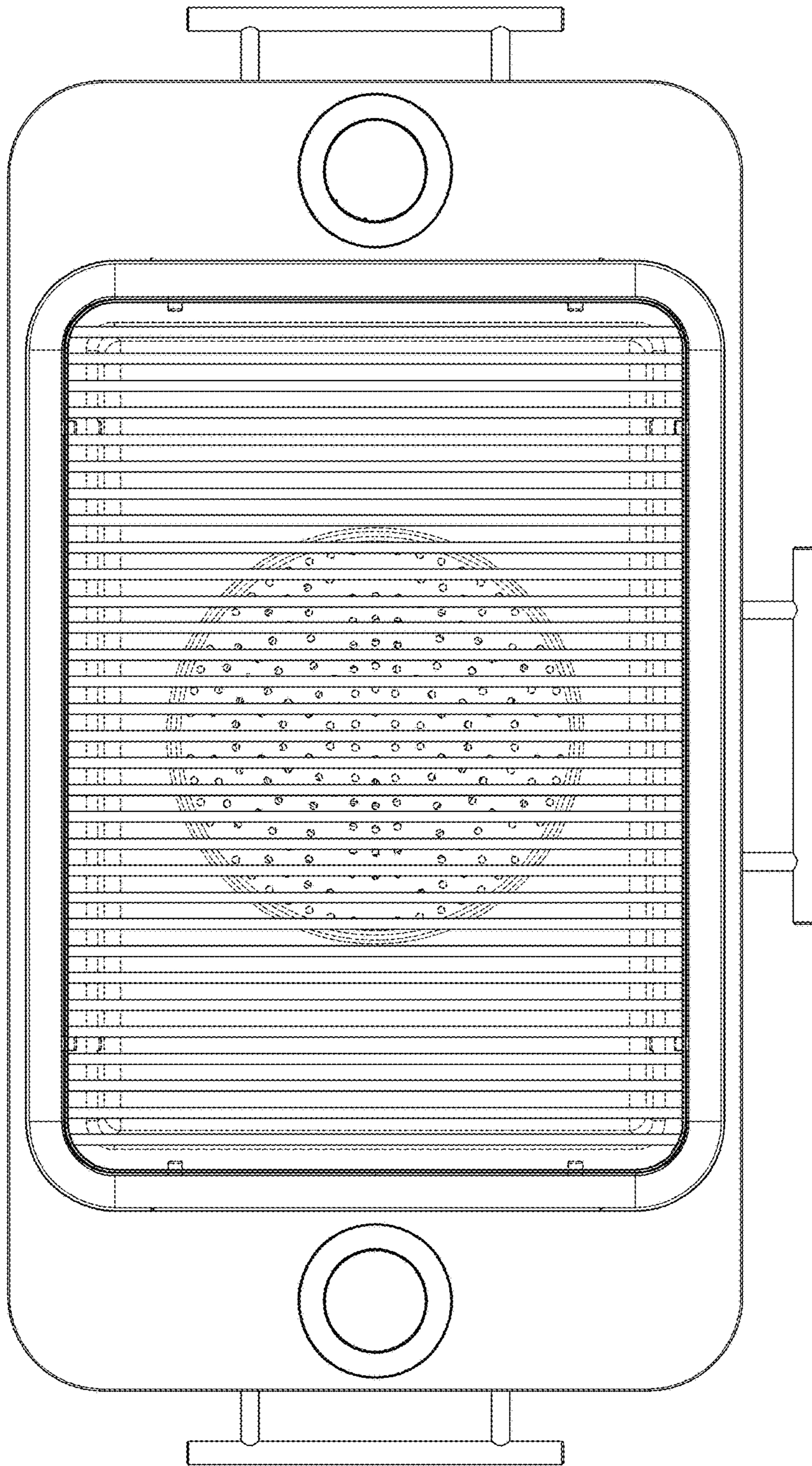


FIG. 5

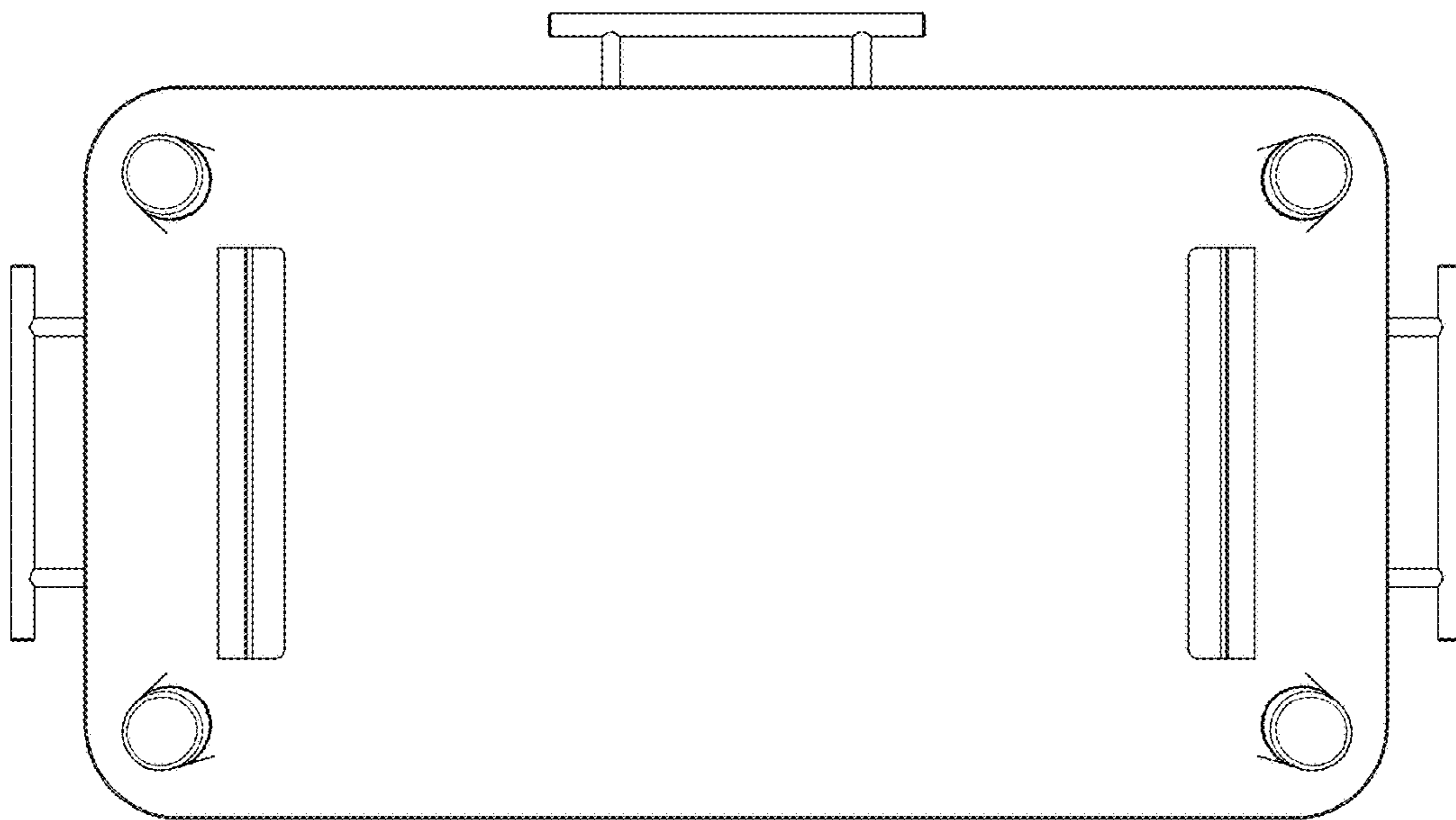


FIG. 6