



US00D811796S

(12) **United States Design Patent**
Joseph

(10) **Patent No.:** **US D811,796 S**
(45) **Date of Patent:** **** Mar. 6, 2018**

(54) **POPCORN MAKER**

(71) Applicant: **Joseph Joseph Ltd.**, London (GB)

(72) Inventor: **Antony Joseph**, London (GB)

(73) Assignee: **JOSEPH JOSEPH LTD.**, London (GB)

(**) Term: **15 Years**

(21) Appl. No.: **29/598,635**

(22) Filed: **Mar. 28, 2017**

(30) **Foreign Application Priority Data**

Oct. 4, 2016 (EM) 003404219-0001

(51) **LOC (11) Cl.** **31-00**

(52) **U.S. Cl.**
USPC **D7/325**

(58) **Field of Classification Search**
USPC D3/202; D7/323, 325, 337, 339,
D7/346-347, 350.1, 350.4, 354, 362, 391,
D7/511-512, 602, 629; D9/431
CPC . A23L 1/01; A23L 1/0128; A23L 1/10; A23L
1/18; A23L 1/1802; A23L 1/1812; A23L
1/1815; A23L 1/1817; A23L 1/217; A23P
1/14; A23P 1/142; A23P 1/144; A23P
1/146; A23P 1/148; A47G 19/2272; A47J
27/004; A47J 36/027; A47J 36/06; B65D
1/265; B65D 3/08; B65D 5/008; B65D
5/0209; B65D 5/6685; B65D 81/34;
B65D 81/3407; B65D 81/3446; B65D
81/3453

See application file for complete search history.

(56) **References Cited**

U.S. PATENT DOCUMENTS

2,004,818 A * 6/1935 Lockett B65D 3/08
229/106
3,809,310 A * 5/1974 VanderLugt, Jr. B65D 5/008
229/106

D306,975 S * 4/1990 Brondyke D9/431
D469,691 S * 2/2003 Brondyke D9/422
D495,209 S * 8/2004 Tranfaglia D7/509
D502,364 S * 3/2005 Chan D7/509
D657,950 S * 4/2012 Herman D3/202
8,505,807 B2 * 8/2013 Herman B65D 1/265
222/462
8,746,545 B2 * 6/2014 Houck A47G 19/2272
229/128
8,955,738 B2 * 2/2015 Cai B65D 5/6685
229/400
9,751,655 B2 * 9/2017 Herman B65D 5/0209

* cited by examiner

Primary Examiner — Ricky Pham

(74) *Attorney, Agent, or Firm* — Millen, White, Zelano & Branigan, P.C.

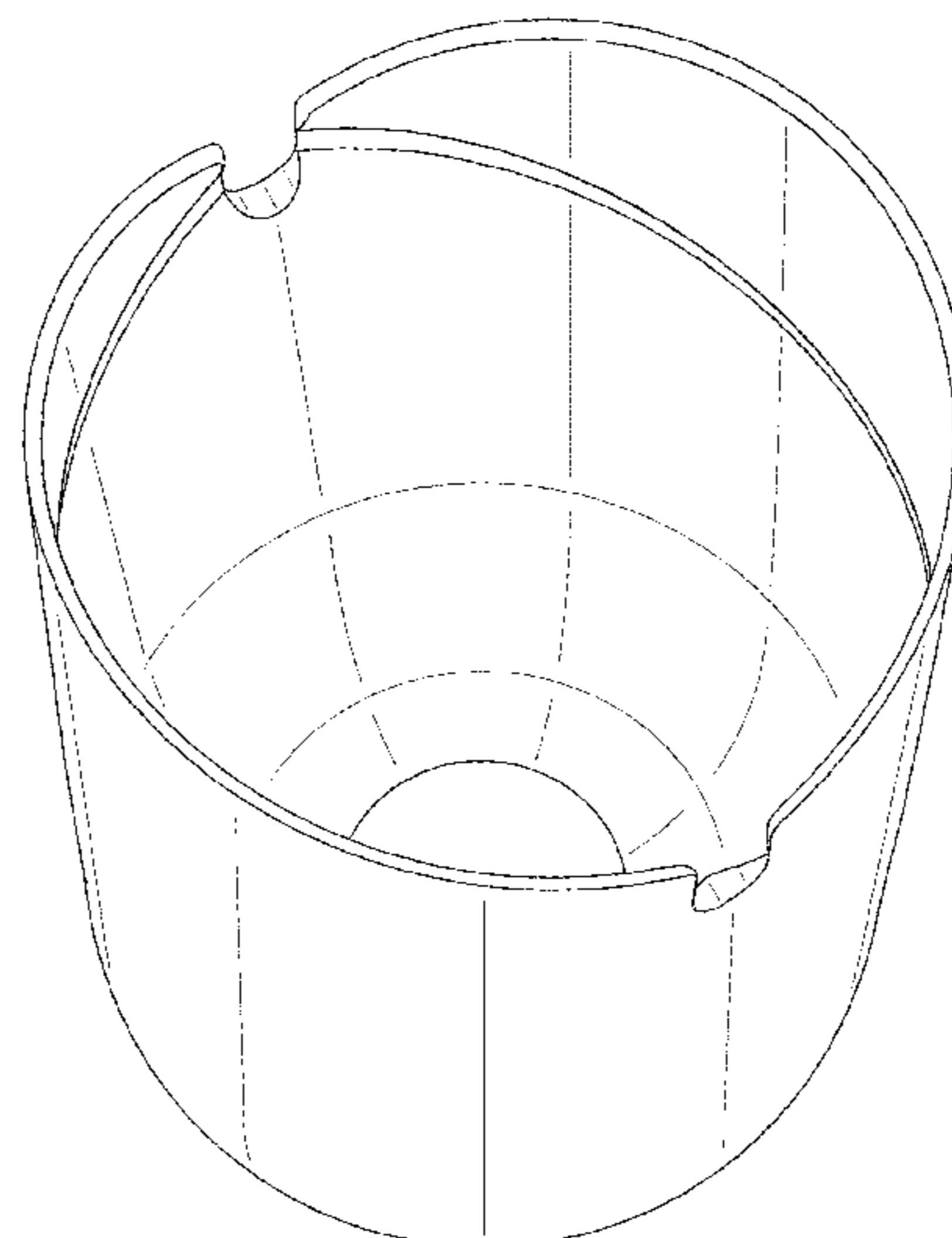
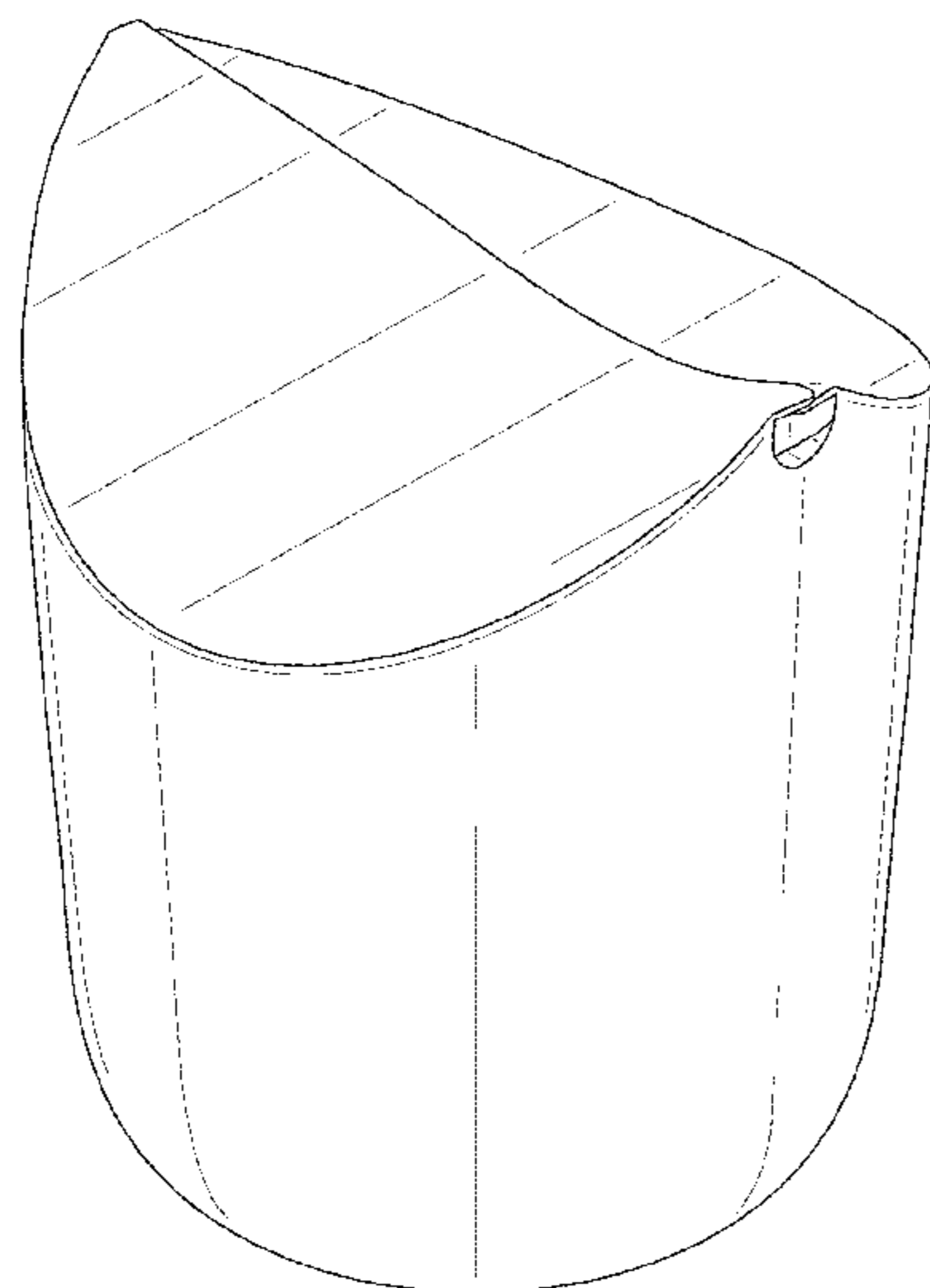
(57) **CLAIM**

The ornamental design for a popcorn maker, as shown and described.

DESCRIPTION

FIG. 1 is a side perspective view of the popcorn maker showing my new design.
FIG. 2 is a bottom perspective view thereof.
FIG. 3 is a side view thereof.
FIG. 4 is another side view thereof.
FIG. 5 is another side view thereof.
FIG. 6 is a top view thereof.
FIG. 7 is a bottom view thereof; and,
FIG. 8 is a top perspective view thereof, shown in an open position for clarity and completeness of disclosure.

1 Claim, 8 Drawing Sheets



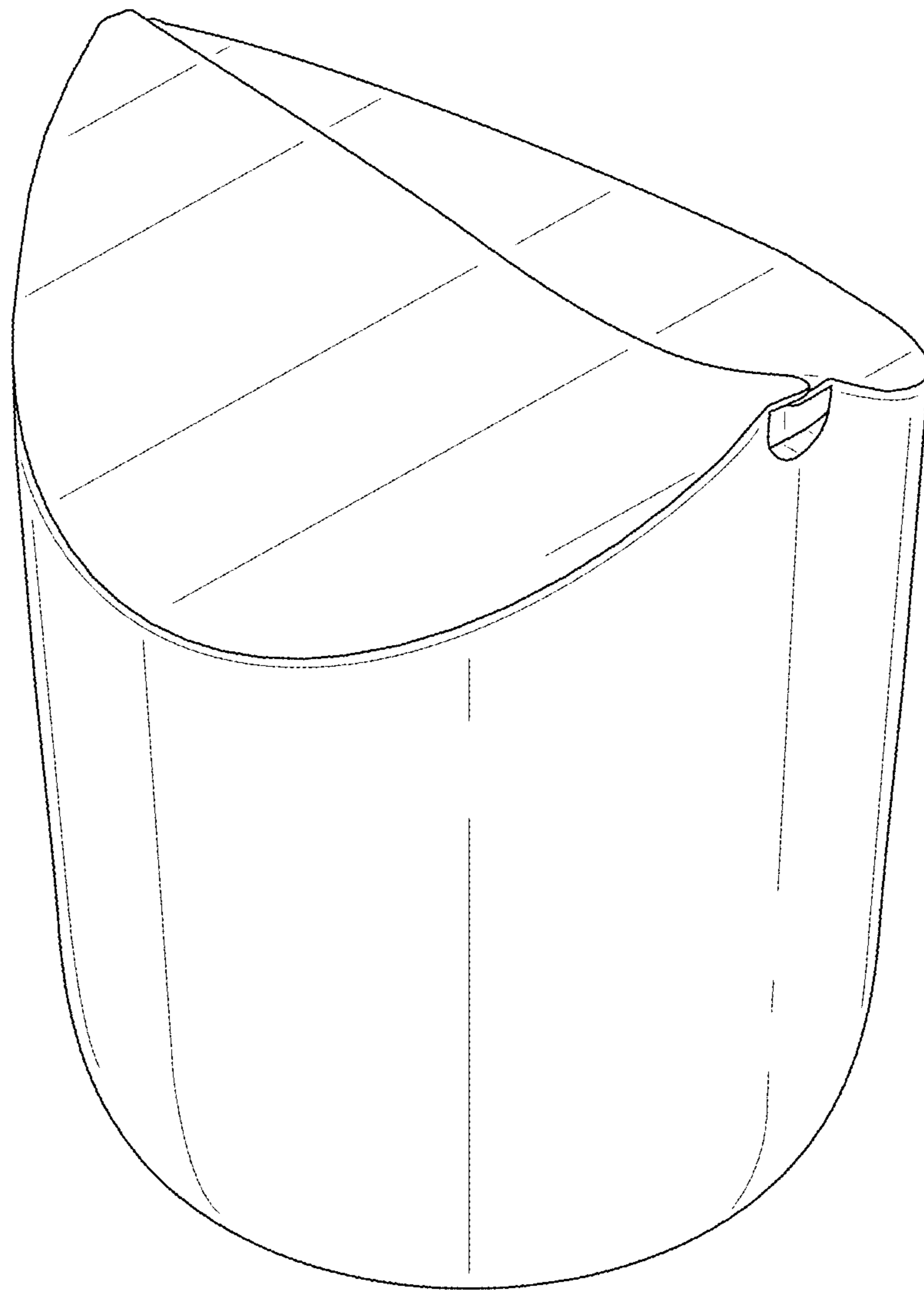


FIG. 1

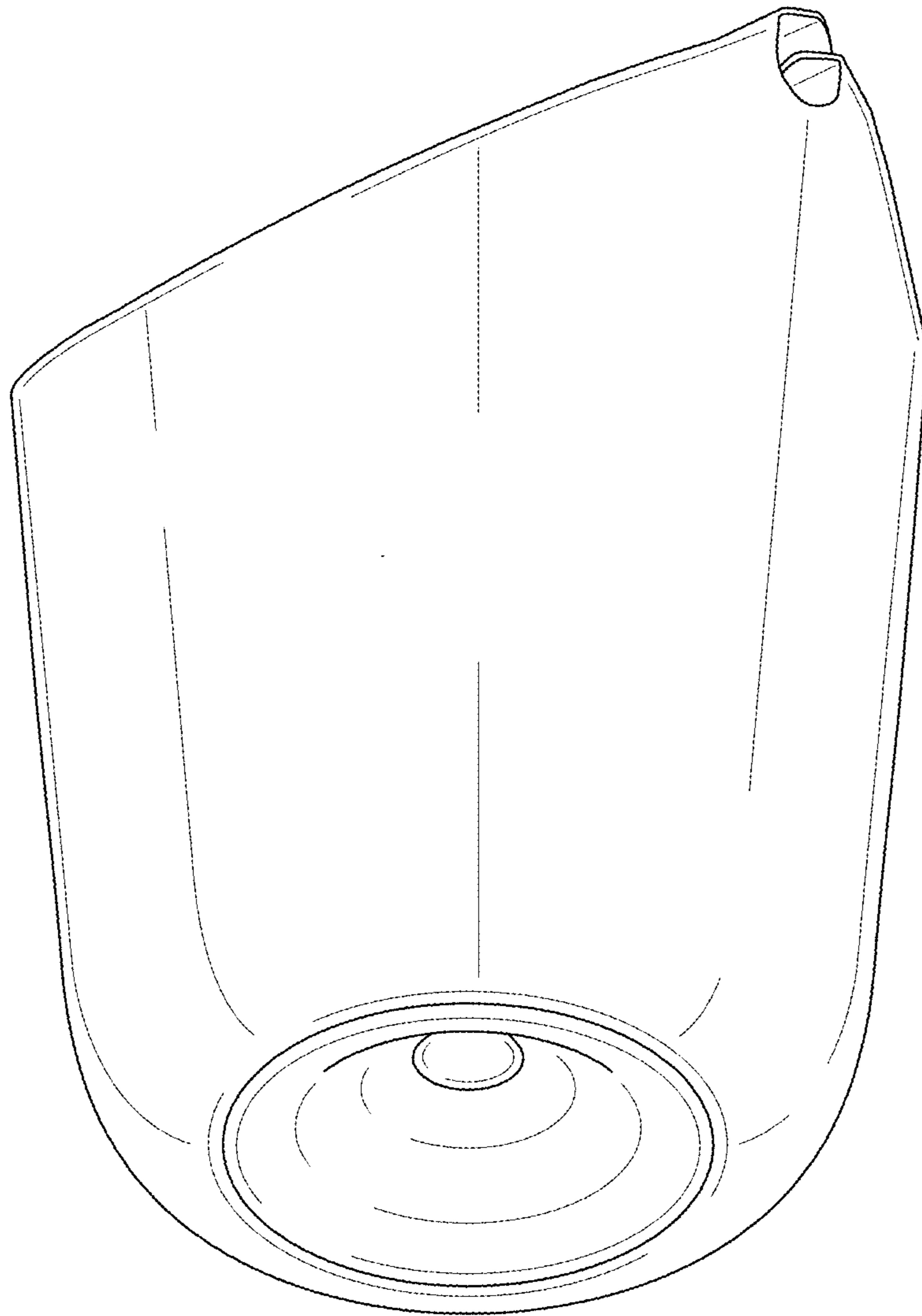


FIG. 2

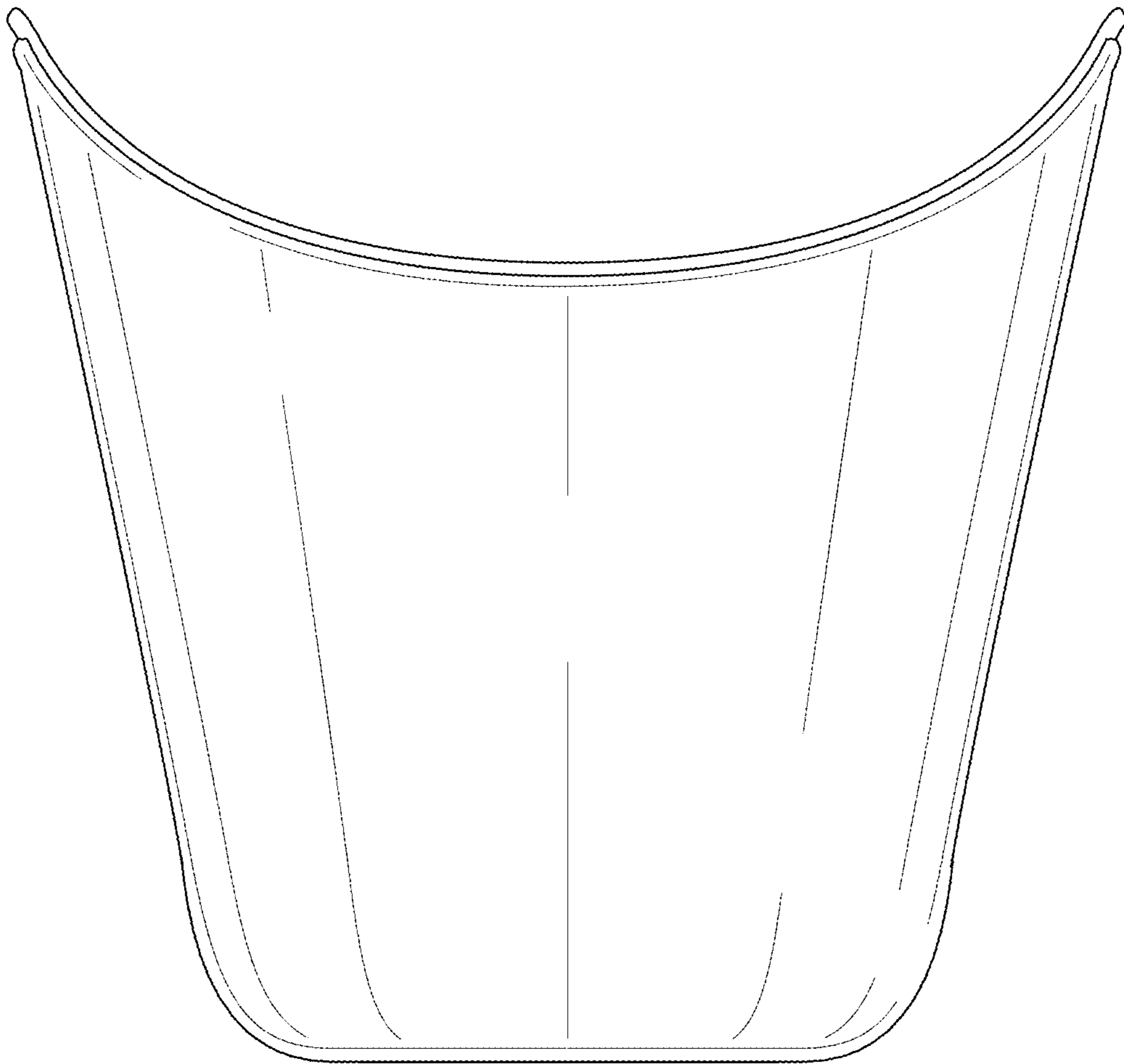


FIG. 3

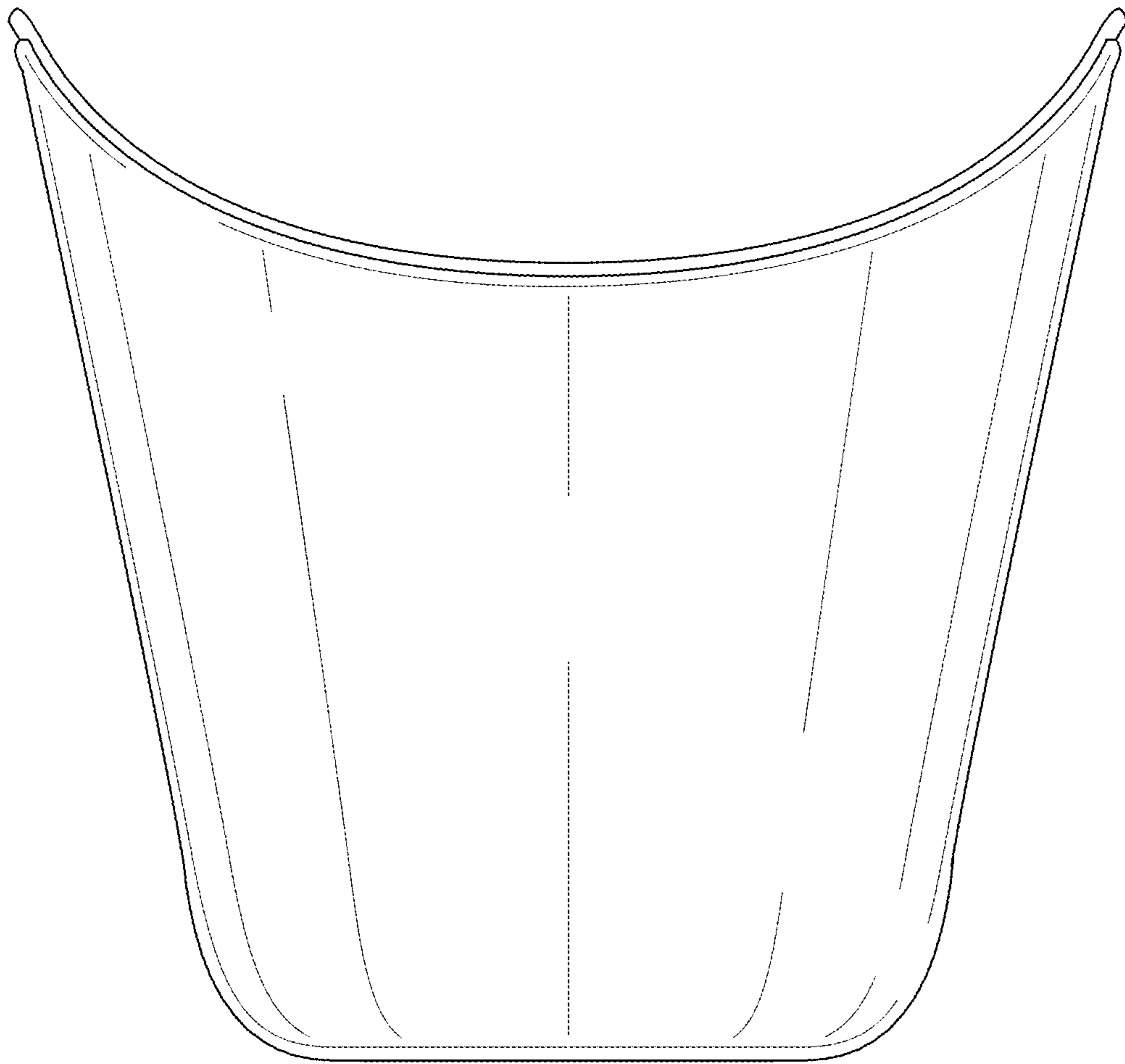


FIG. 4

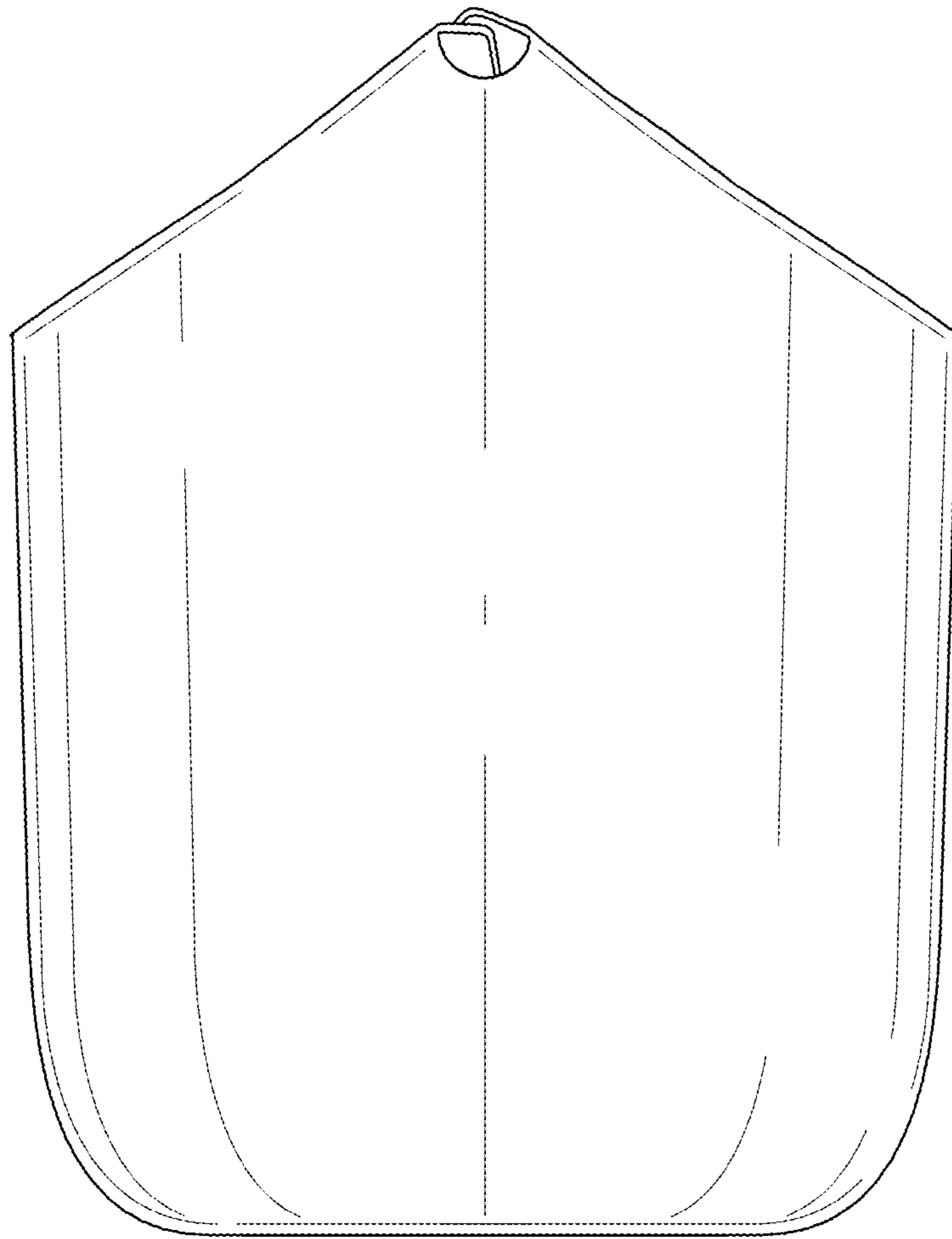


FIG. 5

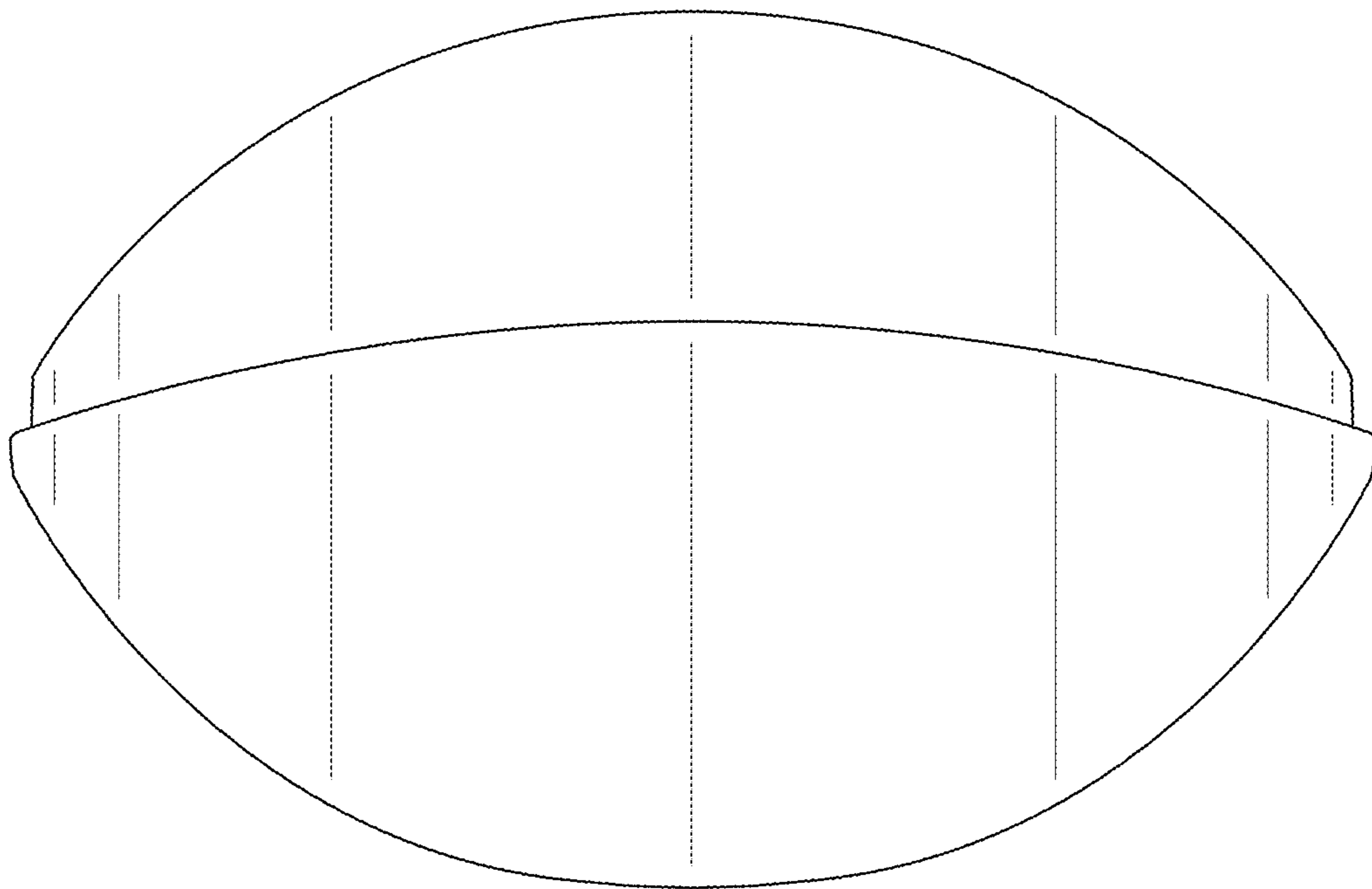


FIG. 6

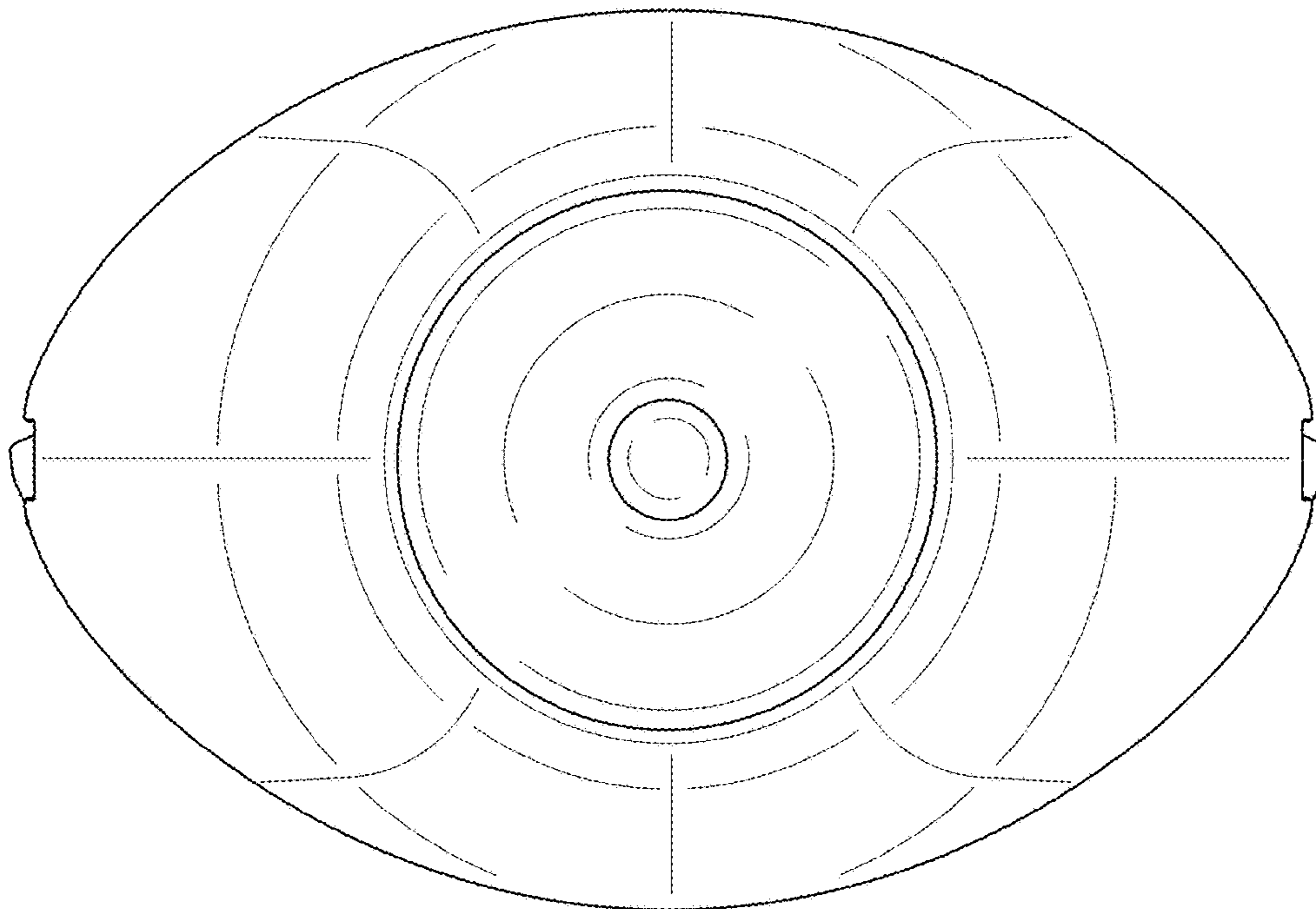


FIG. 7

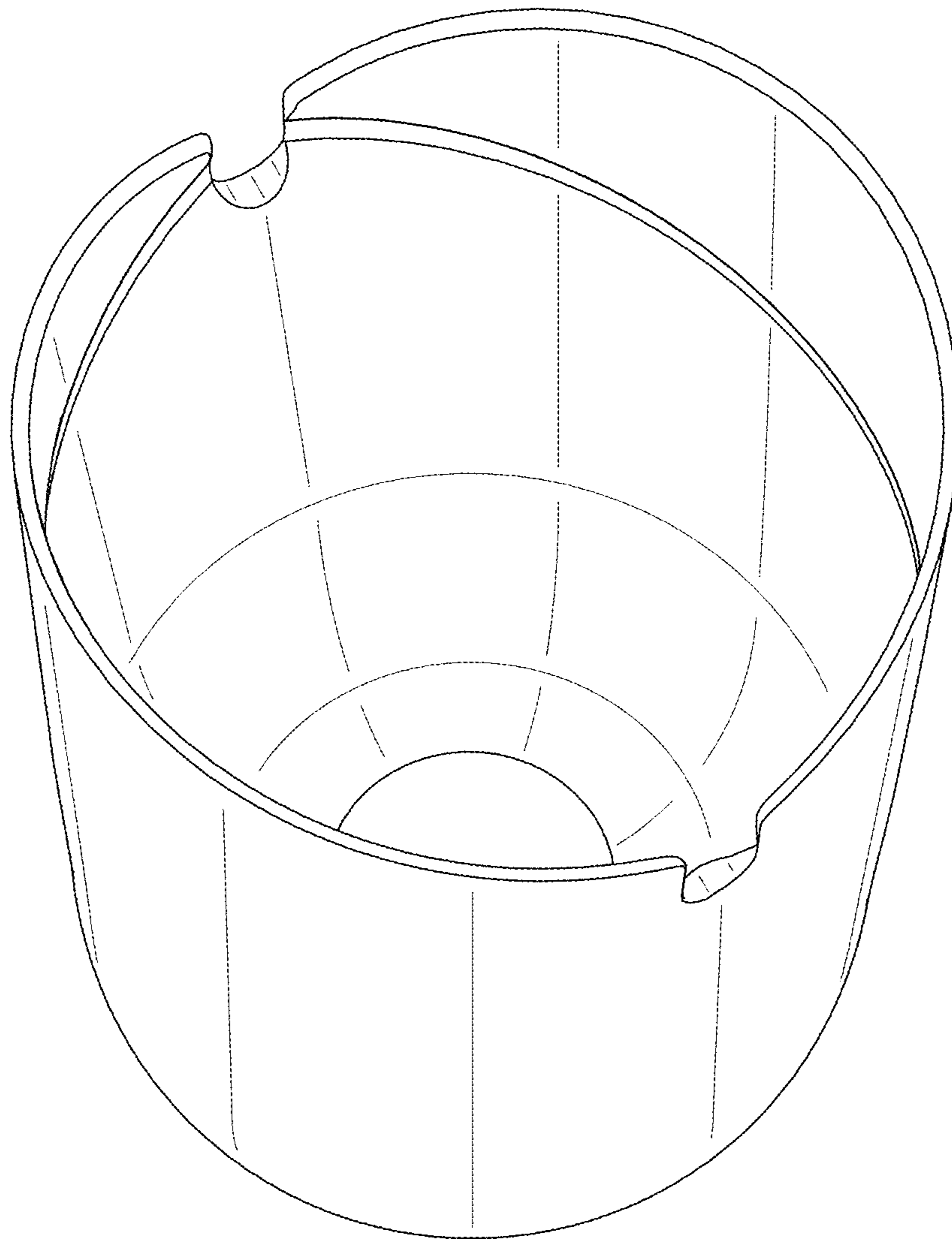


FIG. 8