



US00D811794S

(12) **United States Design Patent**  
**Palermo et al.**

(10) **Patent No.:** **US D811,794 S**  
(45) **Date of Patent:** **\*\* Mar. 6, 2018**

- (54) **HOT BEVERAGE MAKER**
- (71) Applicant: **Sunbeam Products, Inc.**, Boca Raton, FL (US)
- (72) Inventors: **Joseph Palermo**, Boynton Beach, FL (US); **Steven C. Cozzolino**, New York, NY (US); **Cody Stonerock**, Brooklyn, NY (US); **Peter Kristiansen**, Mendham, NJ (US)
- (73) Assignee: **Sunbeam Products, Inc.**, Boca Raton, FL (US)
- (\*\*) Term: **15 Years**
- (21) Appl. No.: **29/569,007**
- (22) Filed: **Jun. 23, 2016**
- (51) **LOC (11) Cl.** ..... **07-01**
- (52) **U.S. Cl.**  
USPC ..... **D7/309; D7/311; D7/306; D7/397**
- (58) **Field of Classification Search**  
USPC ..... **D7/305-311, 313, 397; D15/82; 222/129.1, 146.6; 99/295**  
CPC ..... **A47J 31/44; A47J 31/4403; A47J 31/46; A47J 31/4482; A47J 31/369; A47J 31/407; B67D 1/36; B67D 2210/0065; B67D 1/0864**  
See application file for complete search history.

(56) **References Cited**

**U.S. PATENT DOCUMENTS**

- D274,028 S \* 5/1984 Jeans ..... D7/308
- D299,999 S \* 2/1989 Pandolfi ..... D7/309
- 4,951,556 A \* 8/1990 Ng ..... A47J 31/56  
219/506
- D344,206 S \* 2/1994 Azpiri ..... D7/309
- D354,193 S \* 1/1995 Storsberg ..... D7/309

- D408,206 S \* 4/1999 Stafford ..... D7/306
- D411,403 S \* 6/1999 Gudefin ..... D7/309
- D489,217 S \* 5/2004 Seum ..... D7/309
- D501,623 S \* 2/2005 Lin ..... D7/309
- D541,097 S \* 4/2007 Leverrier ..... D7/300
- D543,771 S \* 6/2007 Julemont ..... D7/309
- D544,286 S \* 6/2007 Cahen ..... D7/306
- D545,110 S \* 6/2007 Julemont ..... D7/309
- D553,416 S \* 10/2007 Lin ..... D7/306
- D575,571 S \* 8/2008 Hammad ..... D7/300
- D604,551 S \* 11/2009 Roncali ..... D7/306
- D604,552 S \* 11/2009 Roncali ..... D7/306
- D615,339 S \* 5/2010 Bronwasser ..... D7/306
- D628,007 S \* 11/2010 Di Bitonto ..... D7/309
- D669,154 S \* 10/2012 Choi ..... D23/207
- D675,471 S \* 2/2013 Averty ..... D7/309
- D675,859 S \* 2/2013 De Pra ..... D7/309
- D685,600 S \* 7/2013 White ..... D7/309
- D693,165 S \* 11/2013 Averty ..... D7/309
- D720,567 S \* 1/2015 Cauwood ..... D7/306
- D726,483 S \* 4/2015 Lin ..... D7/309
- 9,032,866 B2 \* 5/2015 White ..... A47J 31/04  
99/280

(Continued)

*Primary Examiner* — Marianne Pandozzi

(74) *Attorney, Agent, or Firm* — Seth M. Blum

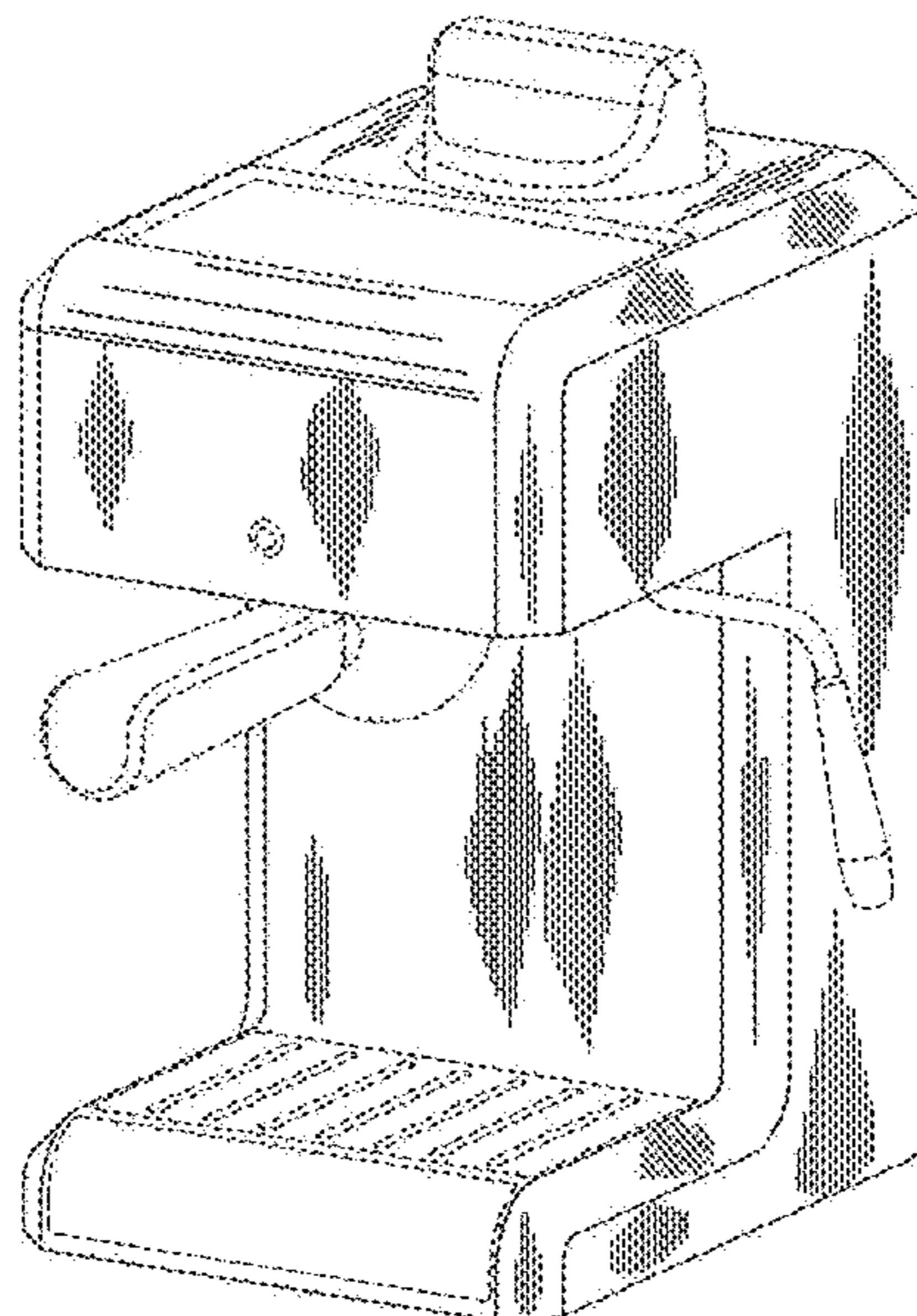
(57) **CLAIM**

The ornamental design for the hot beverage maker, as shown and described.

**DESCRIPTION**

FIG. 1 is a front perspective view of the hot beverage maker; FIG. 2 is a front view thereof; FIG. 3 is a rear view thereof; FIG. 4 is a right side view thereof; FIG. 5 is a left side view thereof; and, FIG. 6 is a top view thereof.  
The broken lines in the drawings depict portions of the hot beverage maker that form no part of the claimed design.

**1 Claim, 6 Drawing Sheets**



(56)

**References Cited**

U.S. PATENT DOCUMENTS

D732,329 S *	6/2015	Palermo	.....	D7/306
D735,527 S *	8/2015	Palermo	.....	D7/309
D738,663 S *	9/2015	De'Longhi	.....	D7/306
D758,120 S *	6/2016	Garman	.....	D7/306
D786,603 S *	5/2017	Palermo	.....	D7/306
D791,533 S *	7/2017	Bond	.....	D7/309
D792,739 S *	7/2017	Palermo	.....	D7/306
D793,146 S *	8/2017	Palermo	.....	D7/306

\* cited by examiner

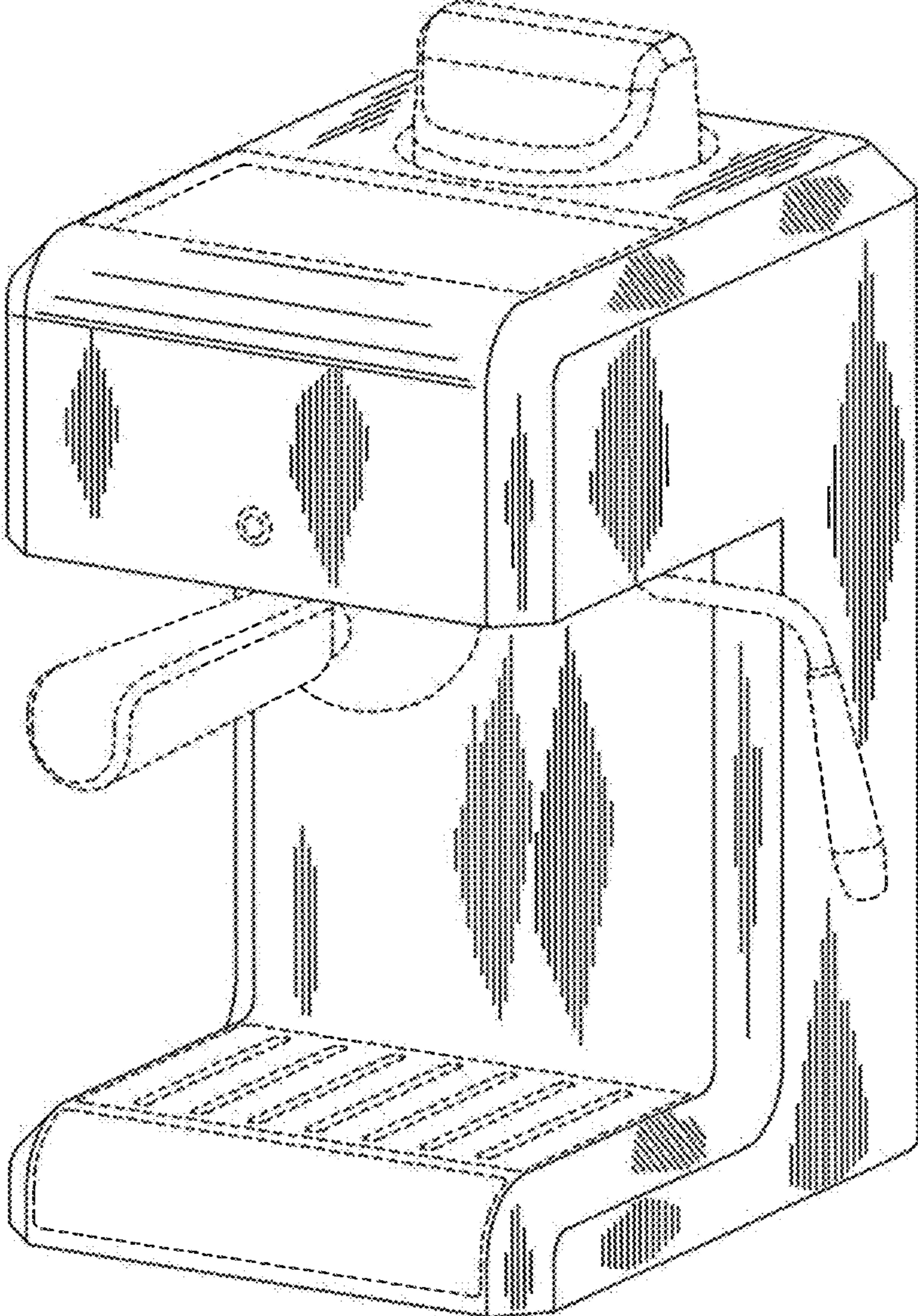


FIG 1



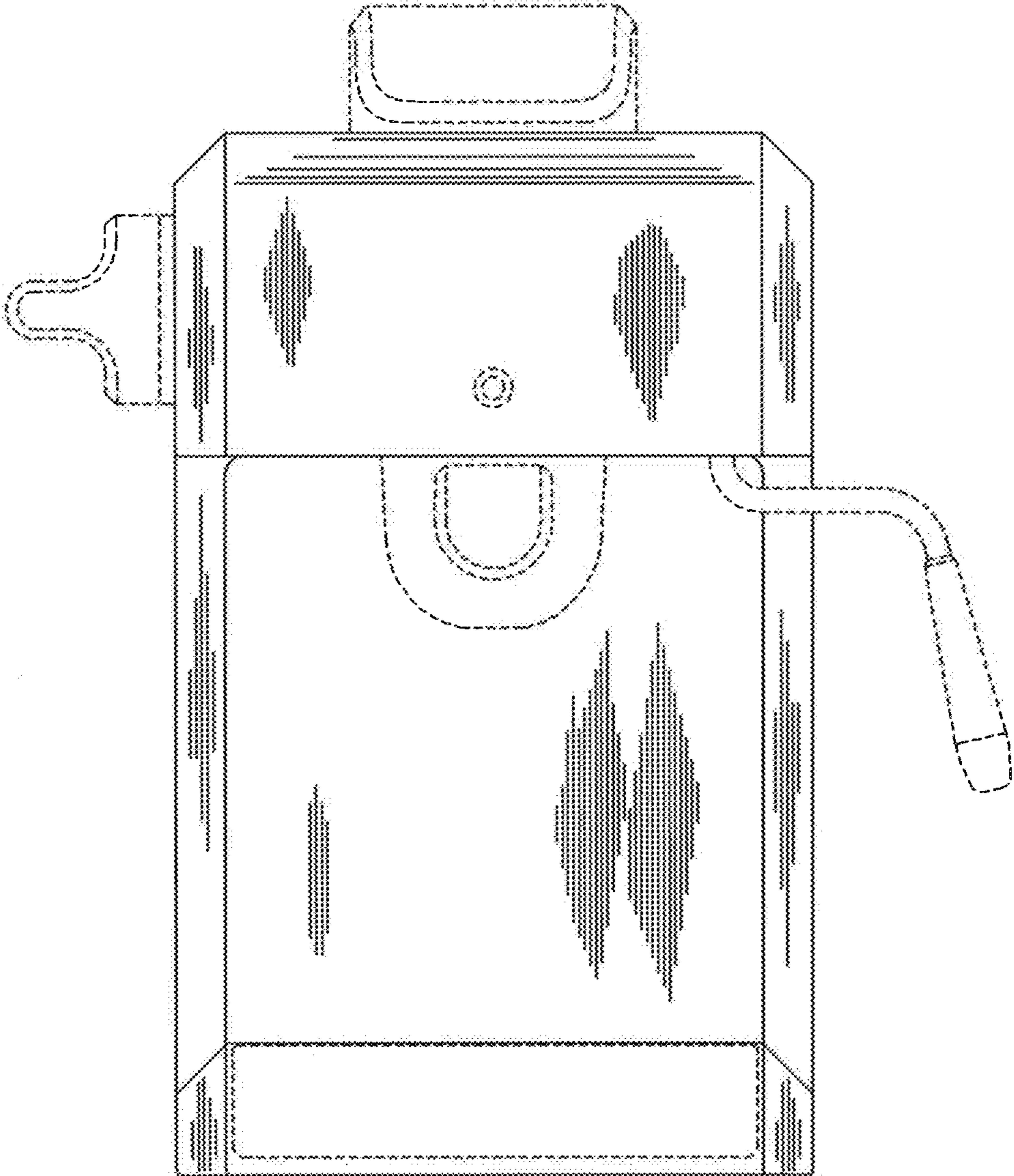


FIG 2

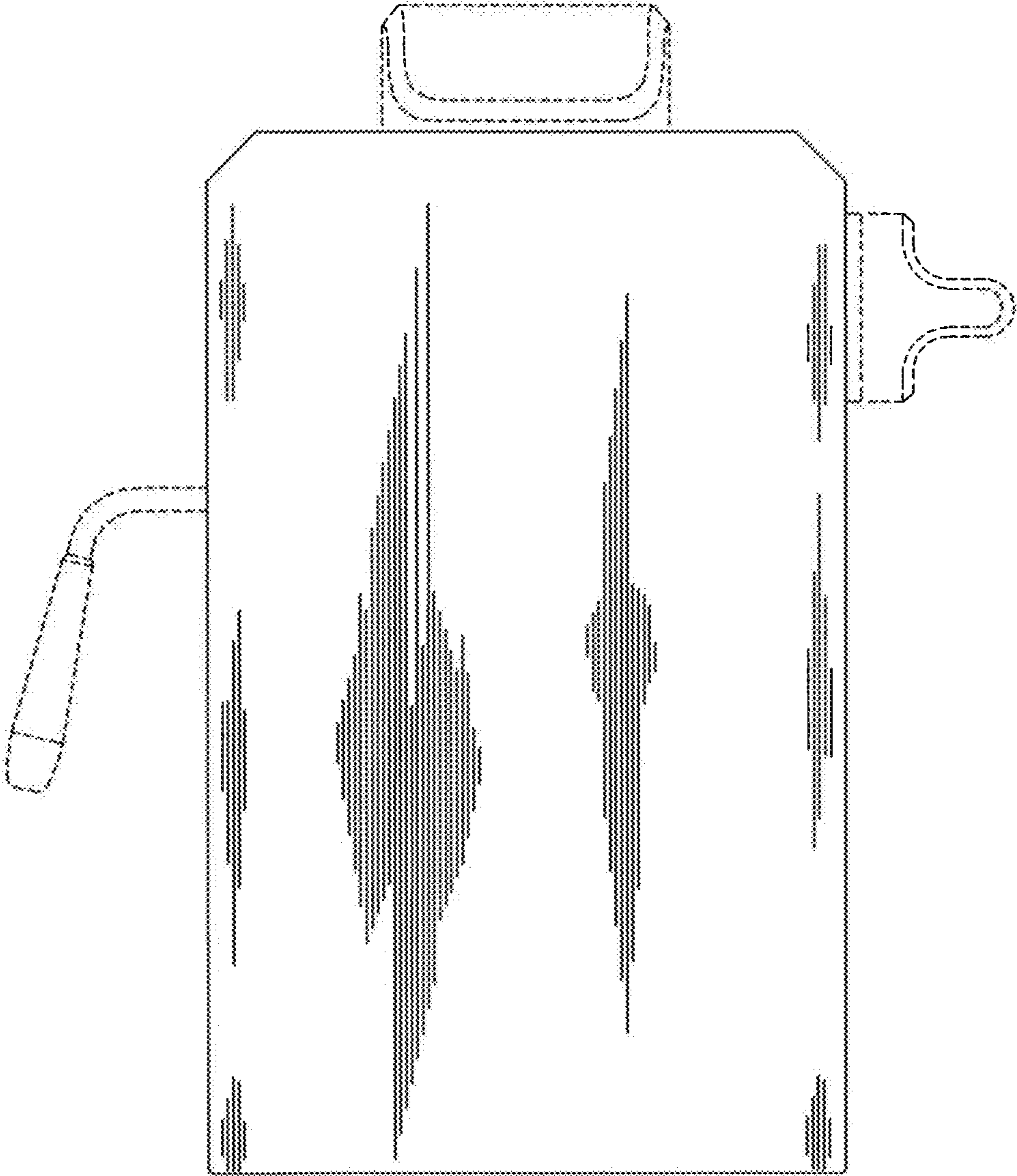


FIG 3

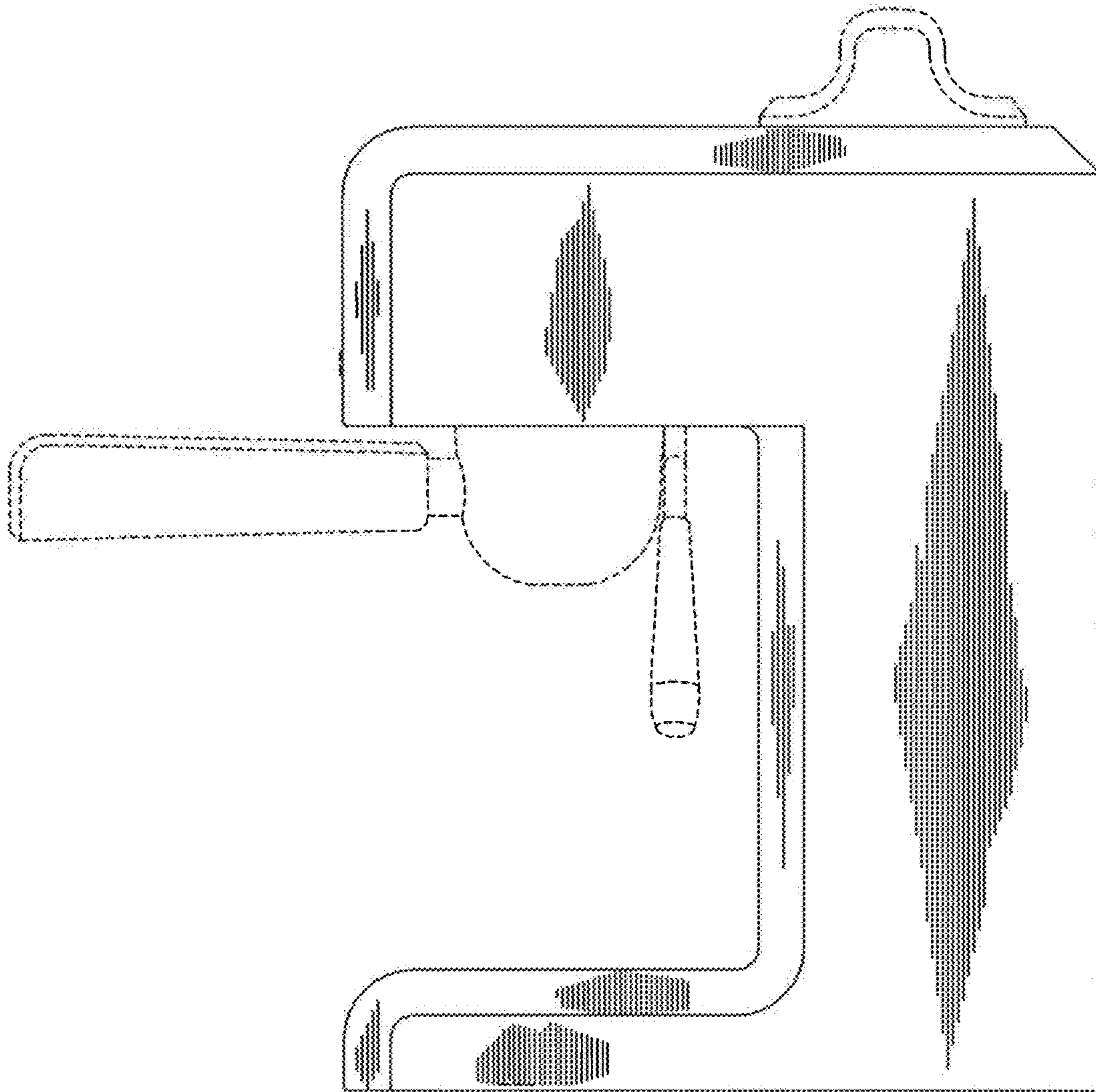


FIG 4



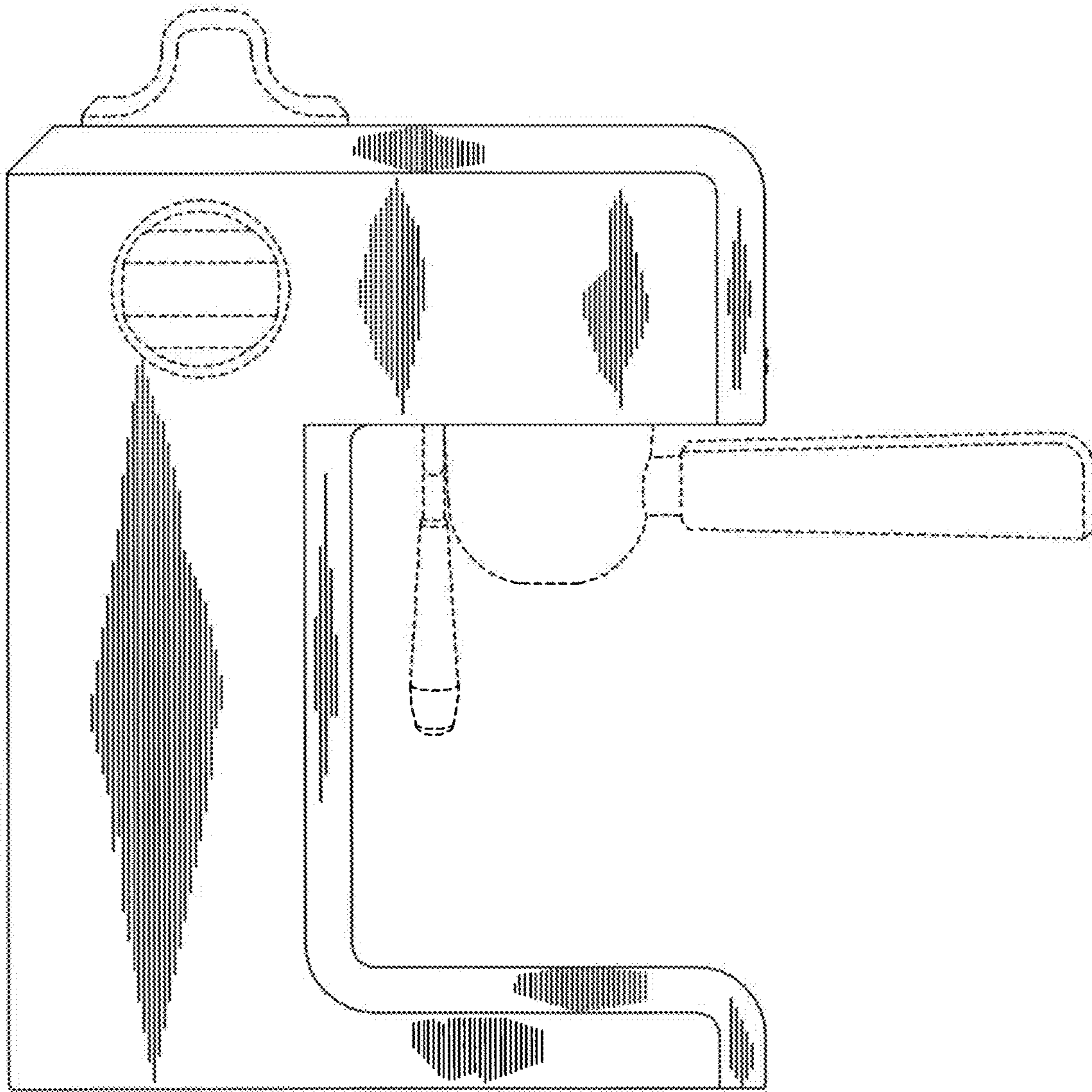


FIG 5

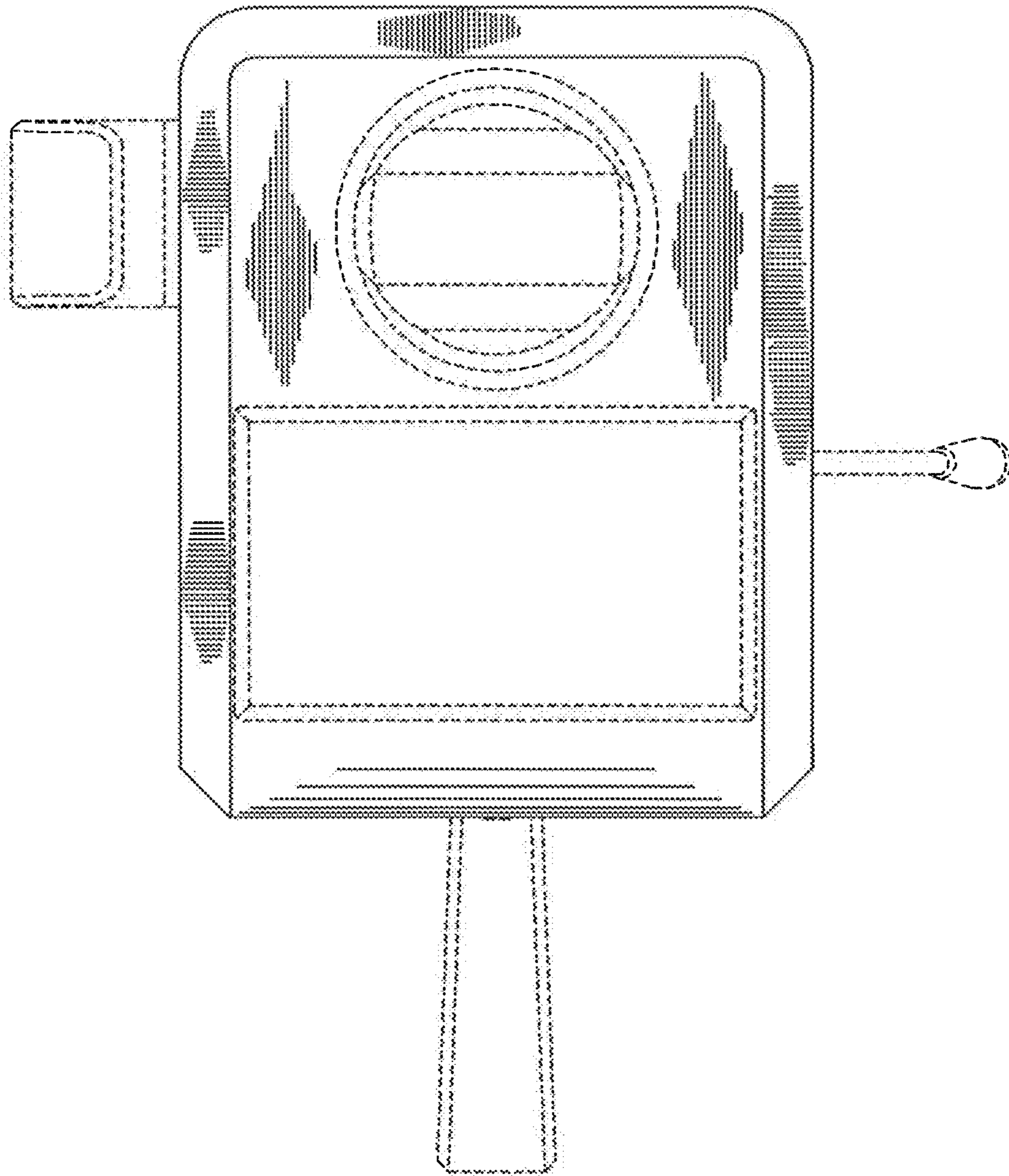


FIG 6