



US00D811793S

(12) **United States Design Patent**  
**Palma**

(10) **Patent No.:** **US D811,793 S**  
(45) **Date of Patent:** **\*\* Mar. 6, 2018**

(54) **BACK AND SEAT FOR A CHAIR**

(71) Applicant: **Alberto Palma**, Costa Mesa, CA (US)

(72) Inventor: **Alberto Palma**, Costa Mesa, CA (US)

(73) Assignee: **LF Centennial Limited** (VG)

(\*\*) Term: **15 Years**

(21) Appl. No.: **29/596,782**

(22) Filed: **Mar. 10, 2017**

(51) **LOC (11) Cl.** ..... **06-01**

(52) **U.S. Cl.**  
USPC ..... **D6/716; D6/366**

(58) **Field of Classification Search**  
USPC ..... D6/334-336, 356, 364, 365, 366, 367,  
D6/374, 375, 379, 380, 716, 716.1, 716.3,  
D6/716.4  
CPC ..... A47C 4/028; A47C 7/022; A47C 7/18;  
A47C 7/38; A47C 7/40; B60N 2/02;  
B60N 2/22

See application file for complete search history.

(56) **References Cited**

**U.S. PATENT DOCUMENTS**

D531,830 S \* 11/2006 Chen ..... D6/366  
D532,631 S \* 11/2006 Egger ..... D6/366  
D536,555 S \* 2/2007 Egger ..... D6/716

D769,636 S \* 10/2016 Mezzera ..... D6/366

\* cited by examiner

*Primary Examiner* — Mimoso De

(74) *Attorney, Agent, or Firm* — Morland C. Fischer

(57) **CLAIM**

The ornamental design for the back and seat for a chair, as shown and described.

**DESCRIPTION**

FIG. 1 is a perspective view showing the right side, top and front of the back and seat for a chair which forms my new design, the long broken lines in this and other figures indicating unclaimed environment and forming no part of the claim, the short broken lines in this and other figures is understood to represent stitching, and the cross hatching in this and other figures is understood to represent mesh;

FIG. 2 is a perspective view showing the left side, top and rear thereof;

FIG. 3 is a front elevational view;

FIG. 4 is a left side elevational view thereof;

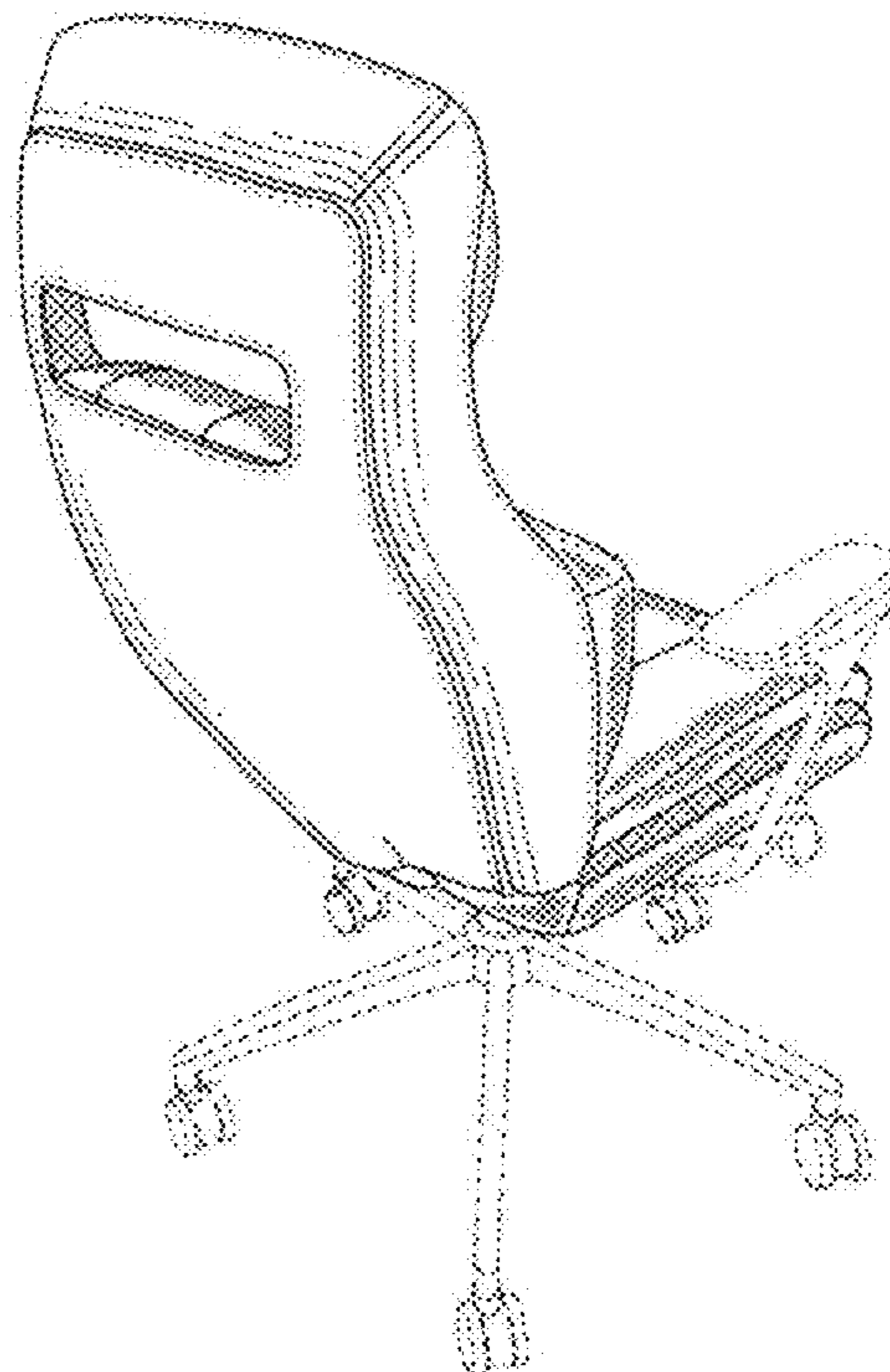
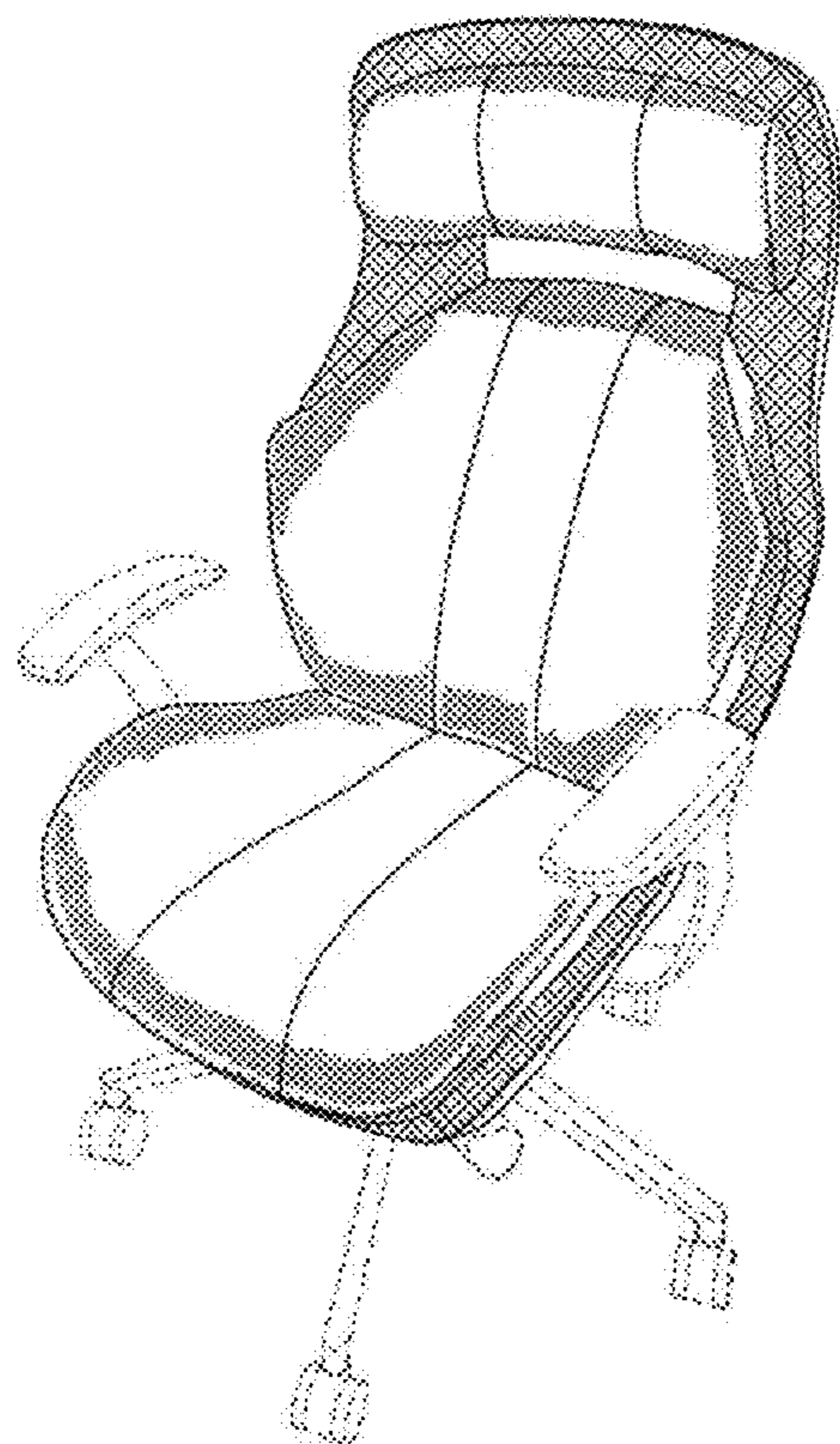
FIG. 5 is a rear elevational view thereof;

FIG. 6 is a right side elevational view thereof;

FIG. 7 is a top plan view thereof; and,

FIG. 8 is a bottom plan view thereof.

**1 Claim, 4 Drawing Sheets**



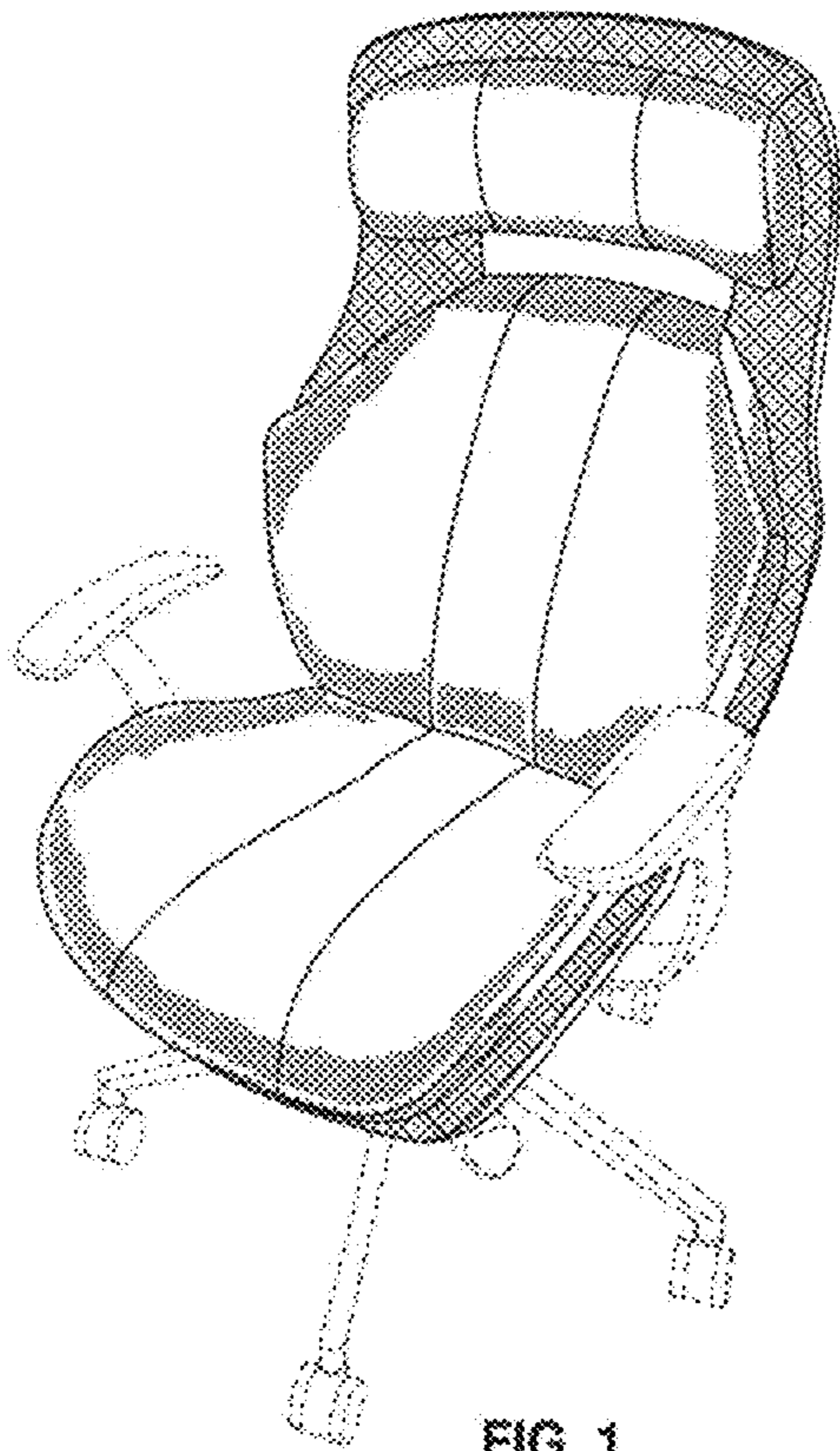


FIG. 1

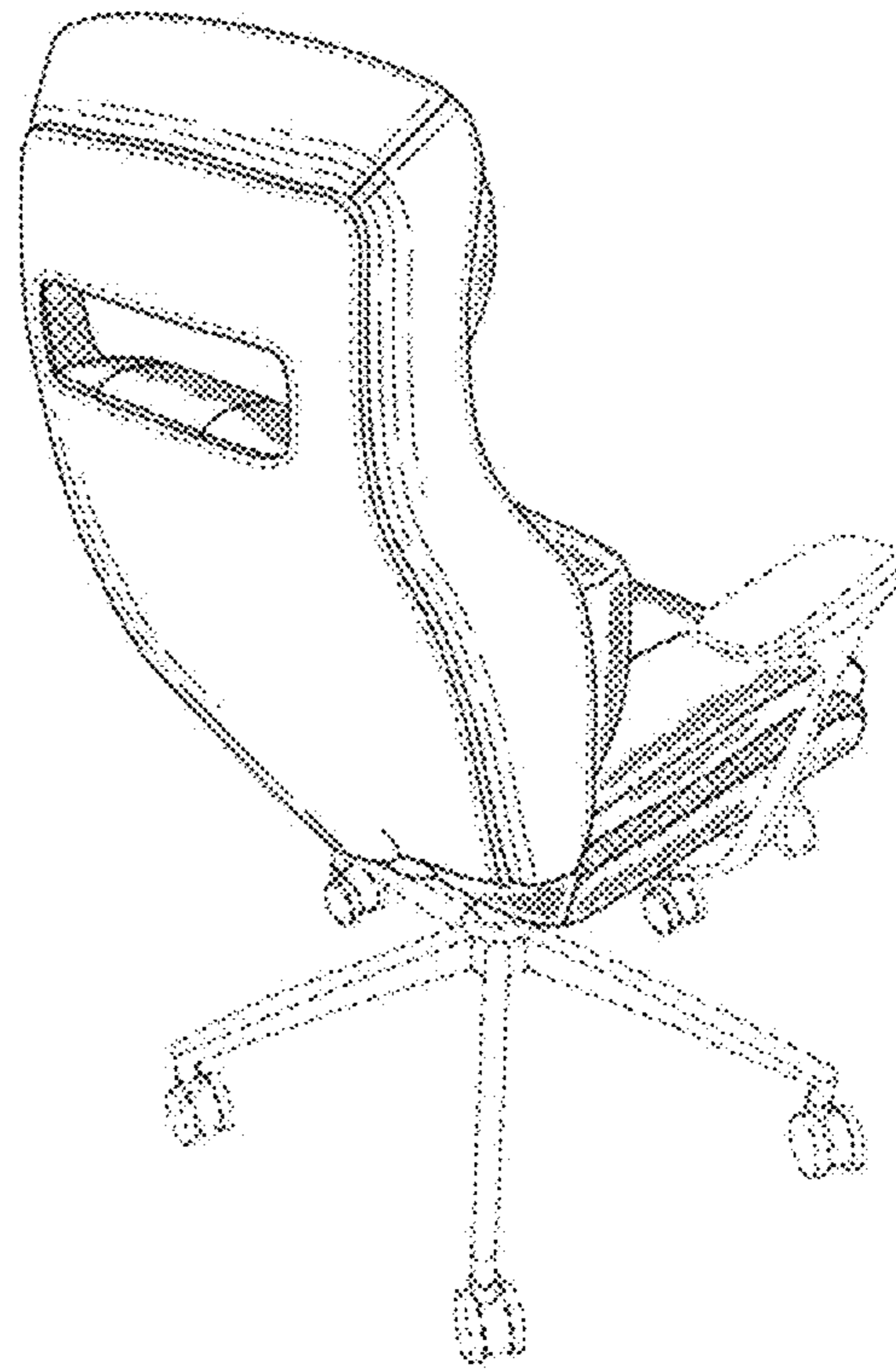


FIG. 2

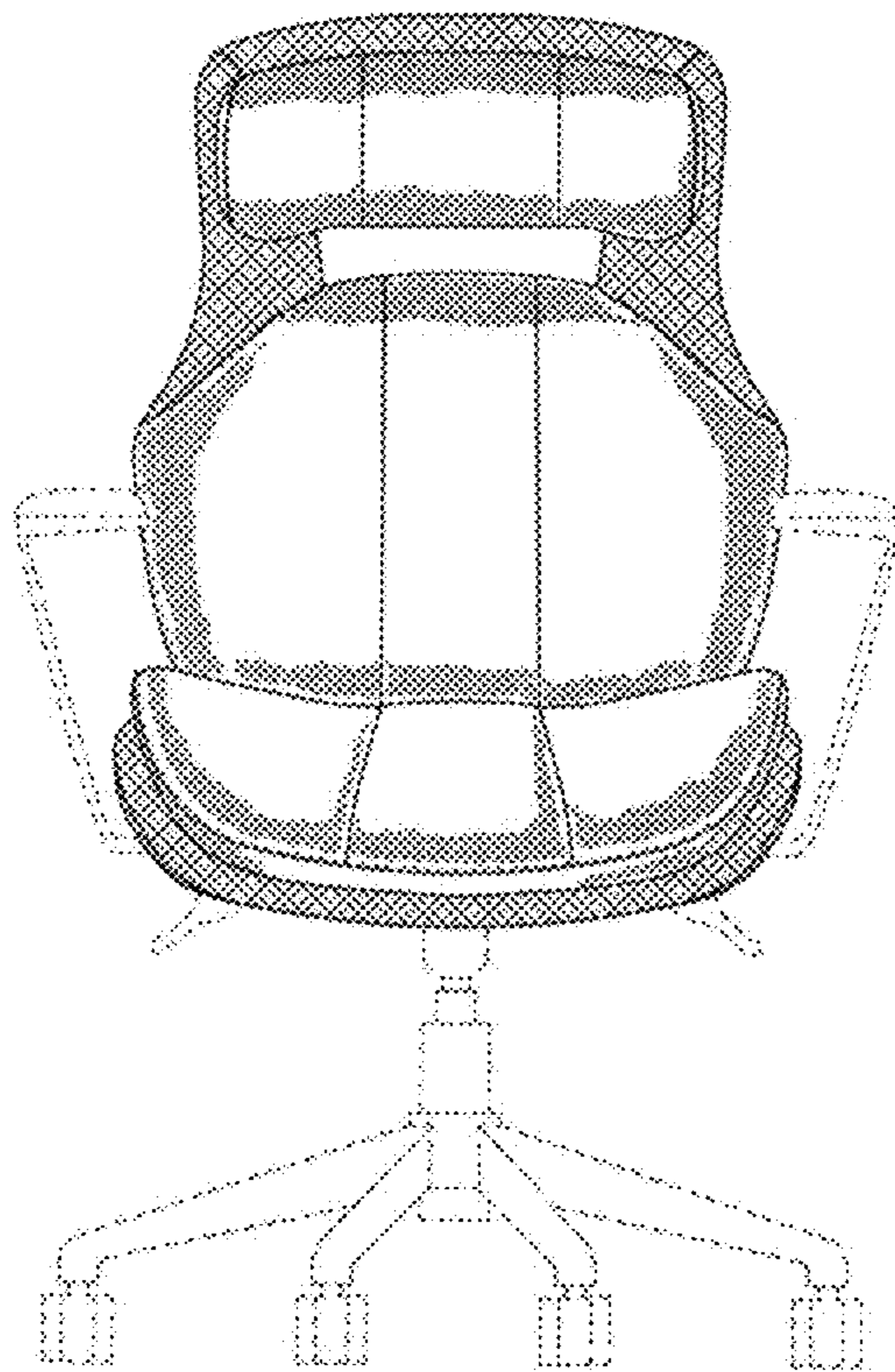


FIG. 3

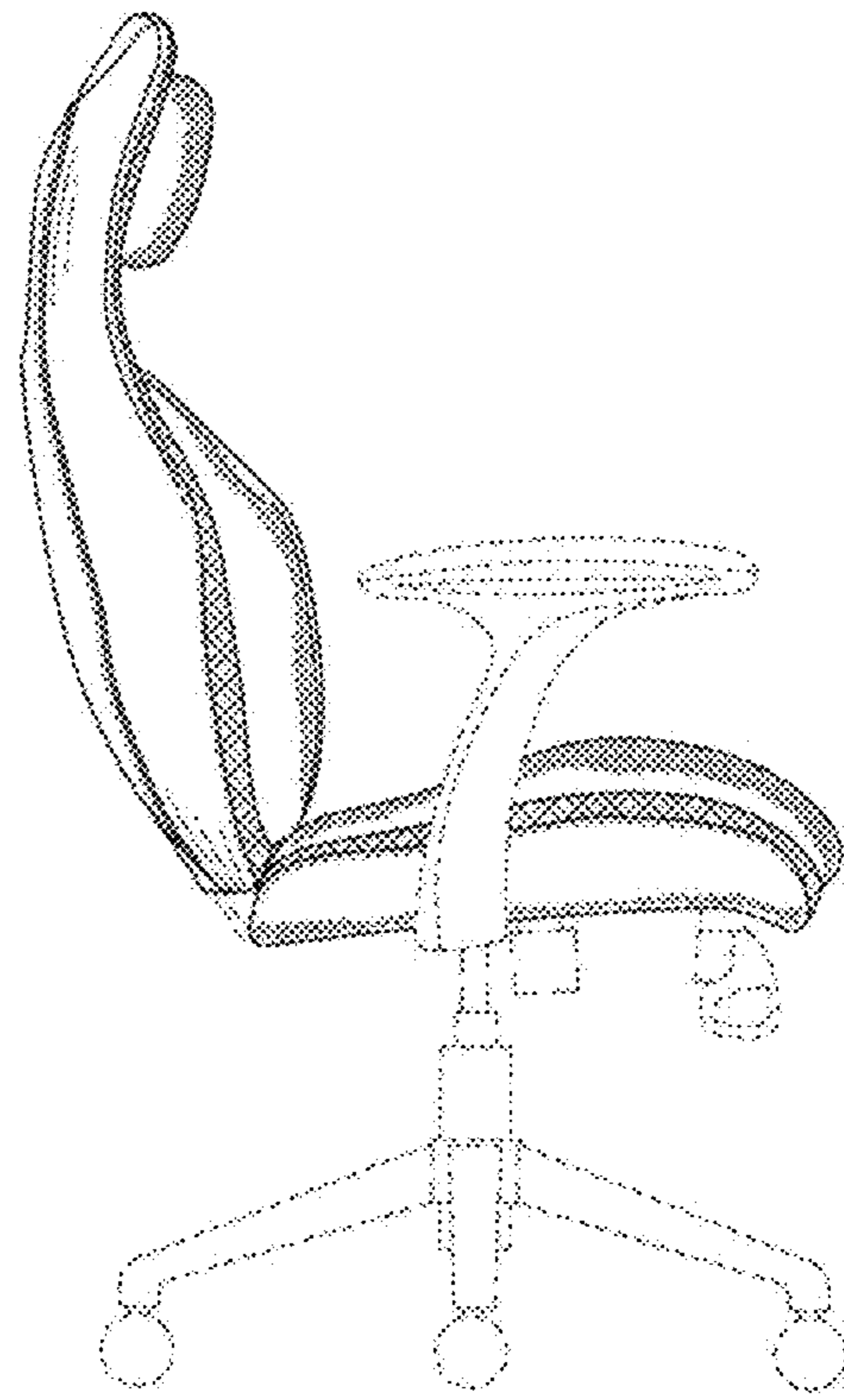


FIG. 4

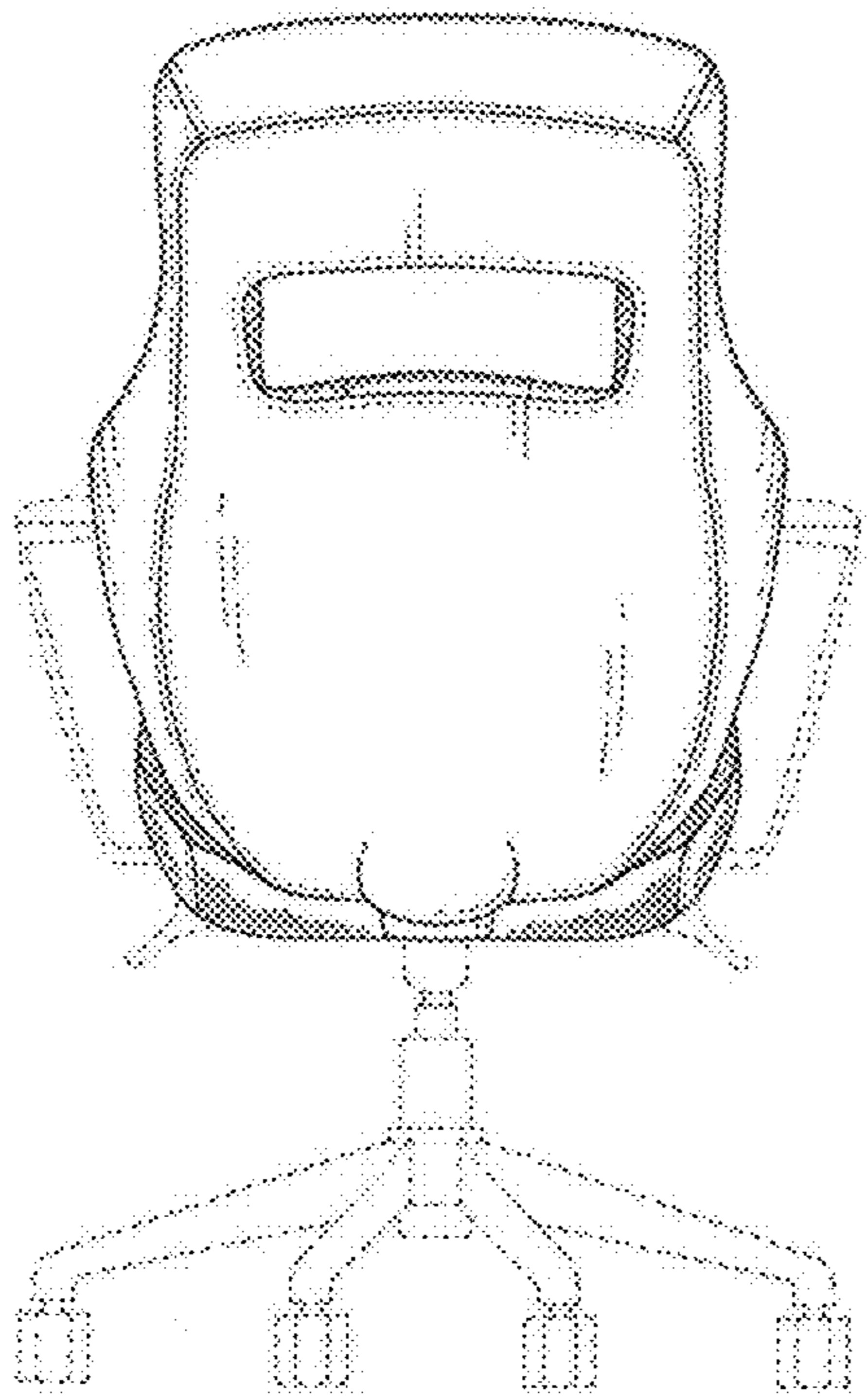


FIG. 5

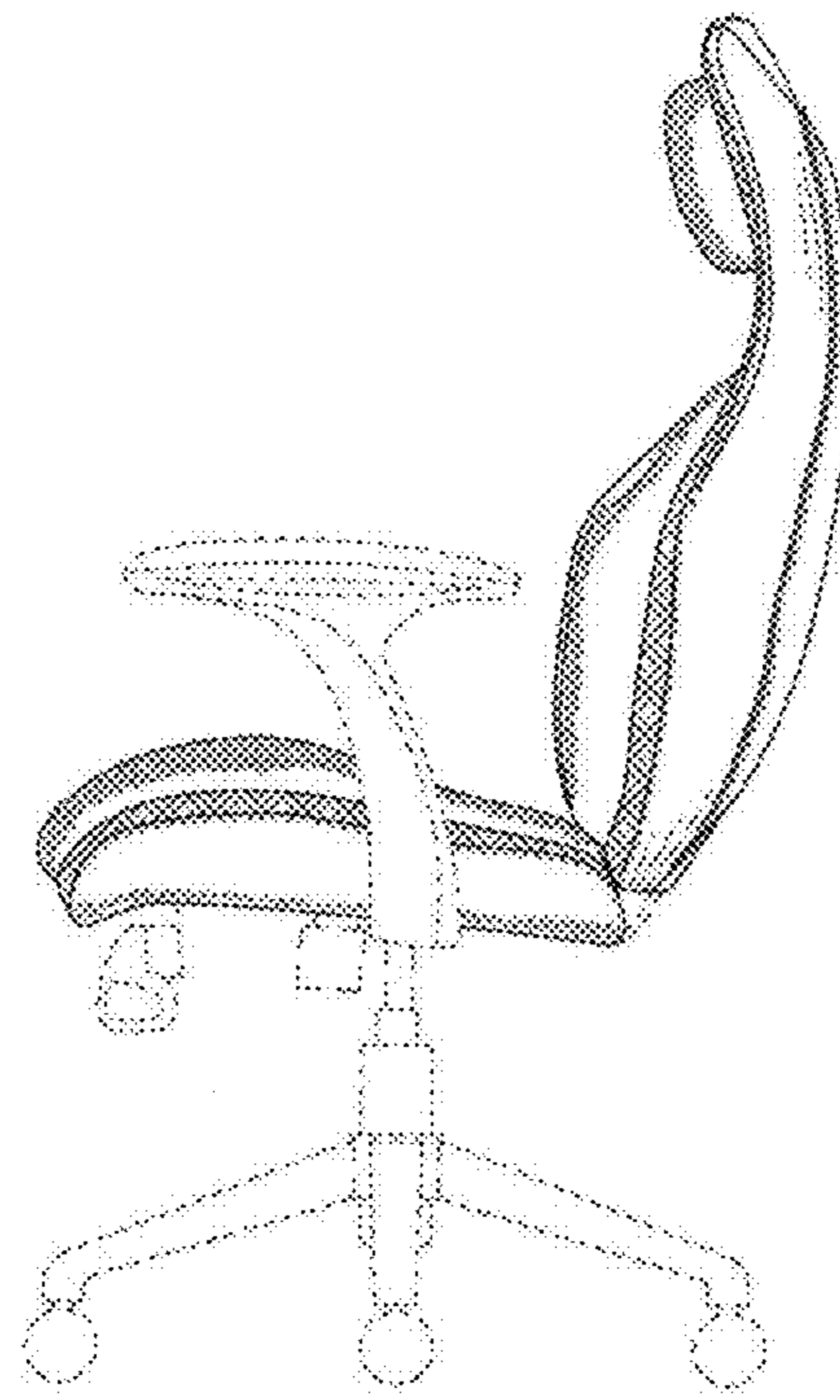


FIG. 6

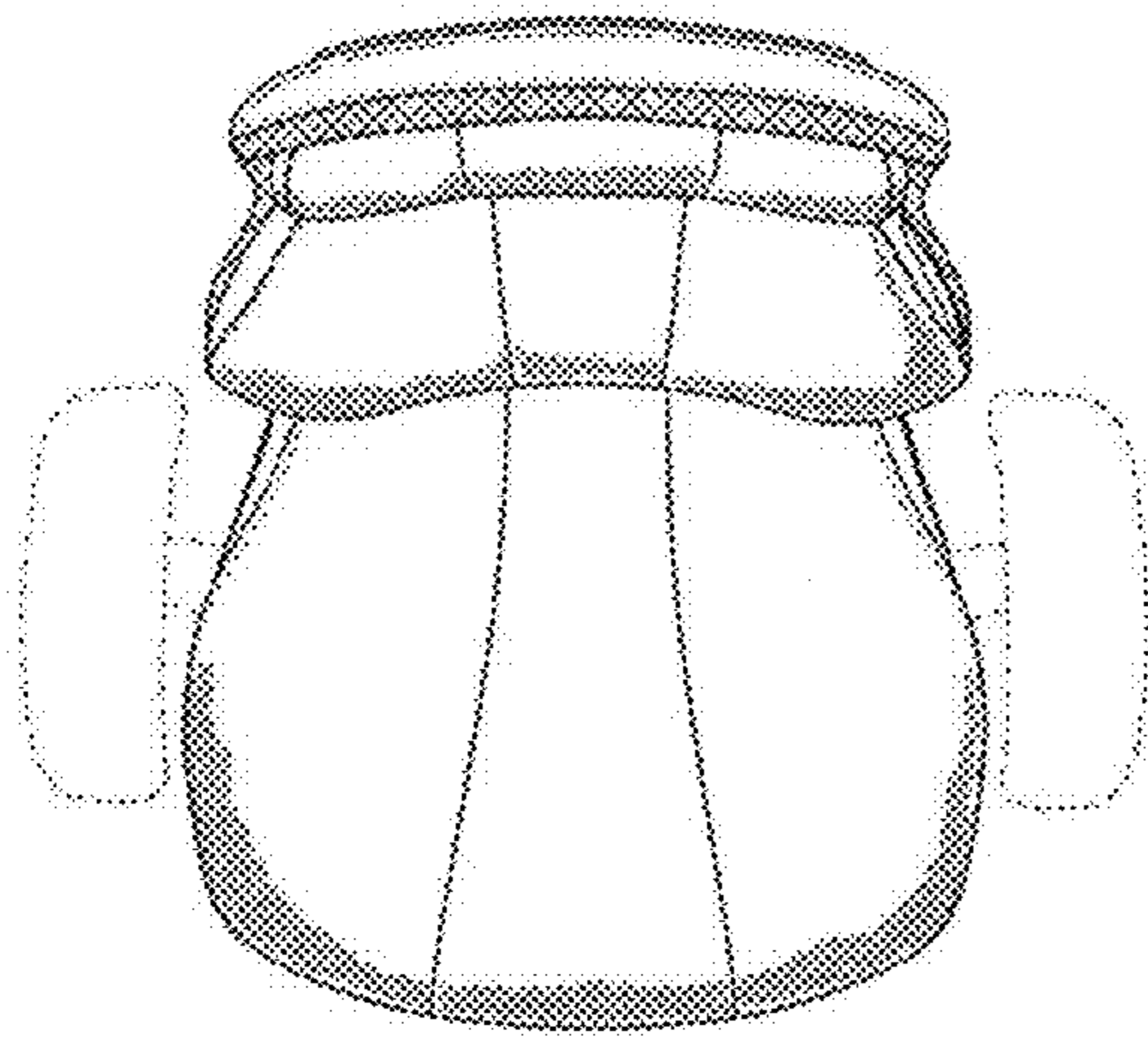


FIG. 7

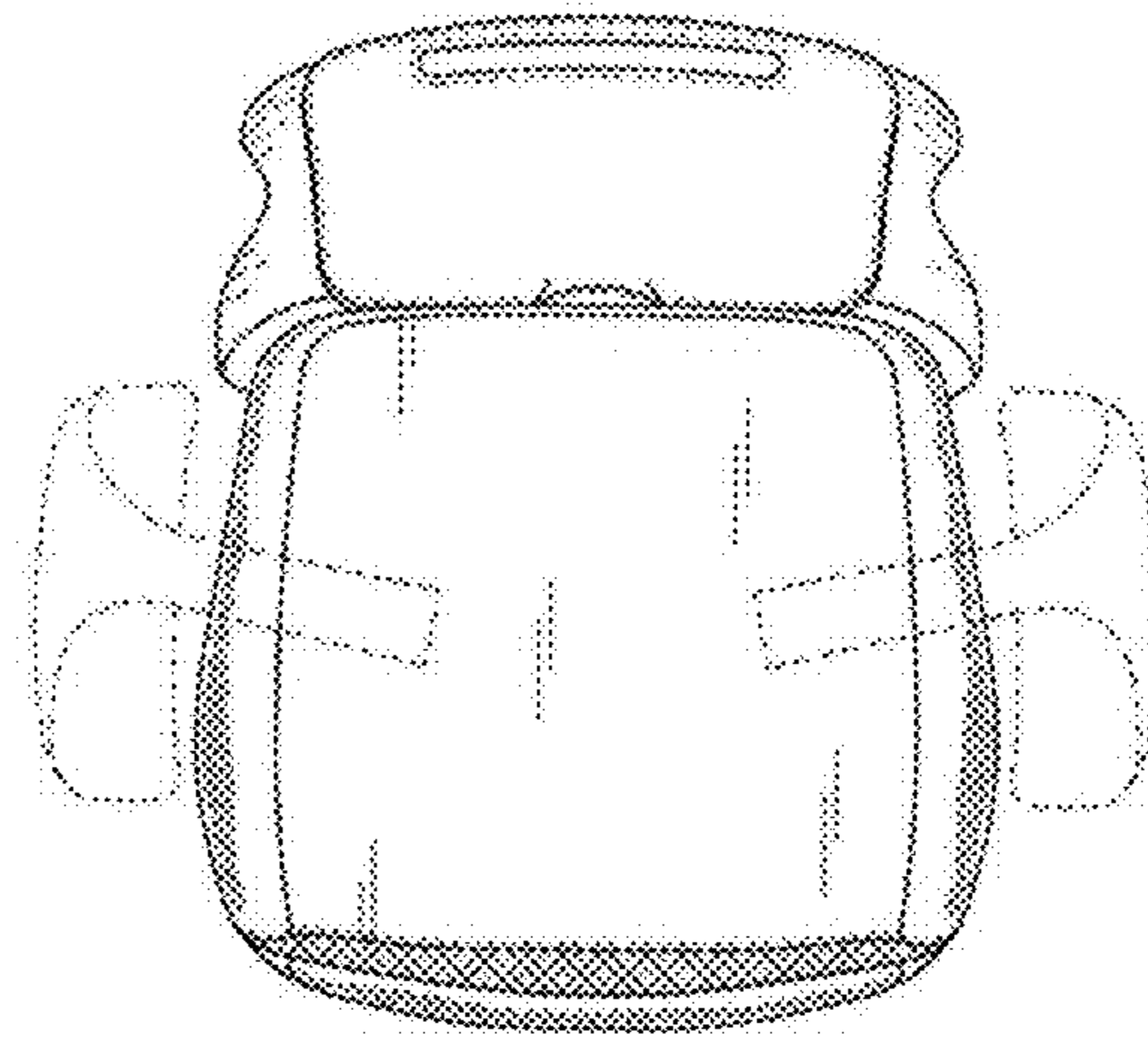


FIG. 8