



US00D811792S

(12) **United States Design Patent**
Guck et al.

(10) **Patent No.:** **US D811,792 S**
(45) **Date of Patent:** **** Mar. 6, 2018**

- (54) **BUNGEE CHAIR**
- (71) Applicant: **PLASTIC DEVELOPMENT GROUP**, Southfield, MI (US)
- (72) Inventors: **Craig Allan Guck**, Royal Oak, MI (US); **Sean Allen Heide**, Lakeville, MN (US)
- (73) Assignee: **Plastic Development Group**, Southfield, MI (US)
- (**) Term: **15 Years**
- (21) Appl. No.: **29/593,794**
- (22) Filed: **Feb. 13, 2017**

D677,920 S	3/2013	Christakos	
D681,970 S	5/2013	Christakos	
D683,156 S	5/2013	Christakos	
D710,120 S	8/2014	Tseng	
D711,129 S	8/2014	Christakos et al.	
D711,131 S	8/2014	Christakos et al.	
D711,148 S	8/2014	Christakos	
D711,149 S	8/2014	Christakos	
D711,150 S	8/2014	Christakos	
D711,151 S	8/2014	Christakos	
D711,546 S	8/2014	Babiarz et al.	
D718,547 S	12/2014	Christakos	
D737,587 S *	9/2015	Akkad	D6/368
D738,640 S	9/2015	Akkad	
D761,605 S	7/2016	Akkad	
D782,857 S *	4/2017	Guck	D6/368
2007/0187998 A1 *	8/2007	Chen	A47C 4/28 297/45

Related U.S. Application Data

(63) Continuation of application No. 29/539,781, filed on Sep. 17, 2015, now Pat. No. Des. 782,857.

(51) **LOC (11) Cl.** **06-01**

(52) **U.S. Cl.**
USPC **D6/716; D6/368**

(58) **Field of Classification Search**
USPC D6/334-336, 368, 370, 371, 373, 375, D6/379, 380, 716, 716.1, 716.2, 716.3, D6/716.4

CPC A47C 3/12; A47C 4/00; A47C 4/24; A47C 4/28; A47C 4/30; A47C 4/283; A47C 4/38; A47C 4/42; A47C 4/48; A47C 5/04; A47C 5/10; A47C 7/282; A47C 5/06
See application file for complete search history.

(56) **References Cited**

U.S. PATENT DOCUMENTS

2,684,709 A 7/1954 Schawinsky
3,180,685 A * 4/1965 Rogalski A47C 5/06
297/440.24

* cited by examiner

Primary Examiner — Mimoso De

(74) *Attorney, Agent, or Firm* — Brooks Kushman P.C.

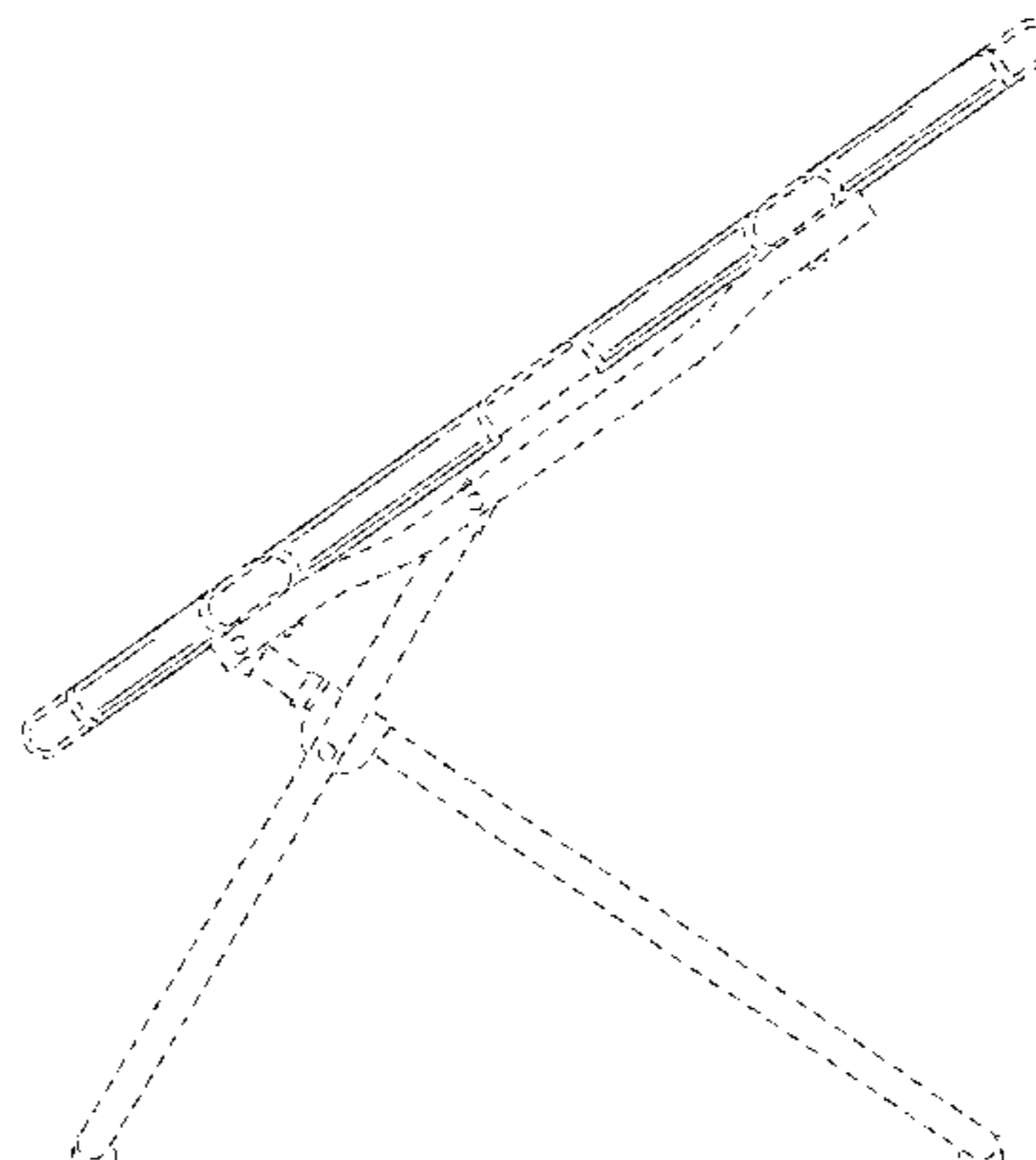
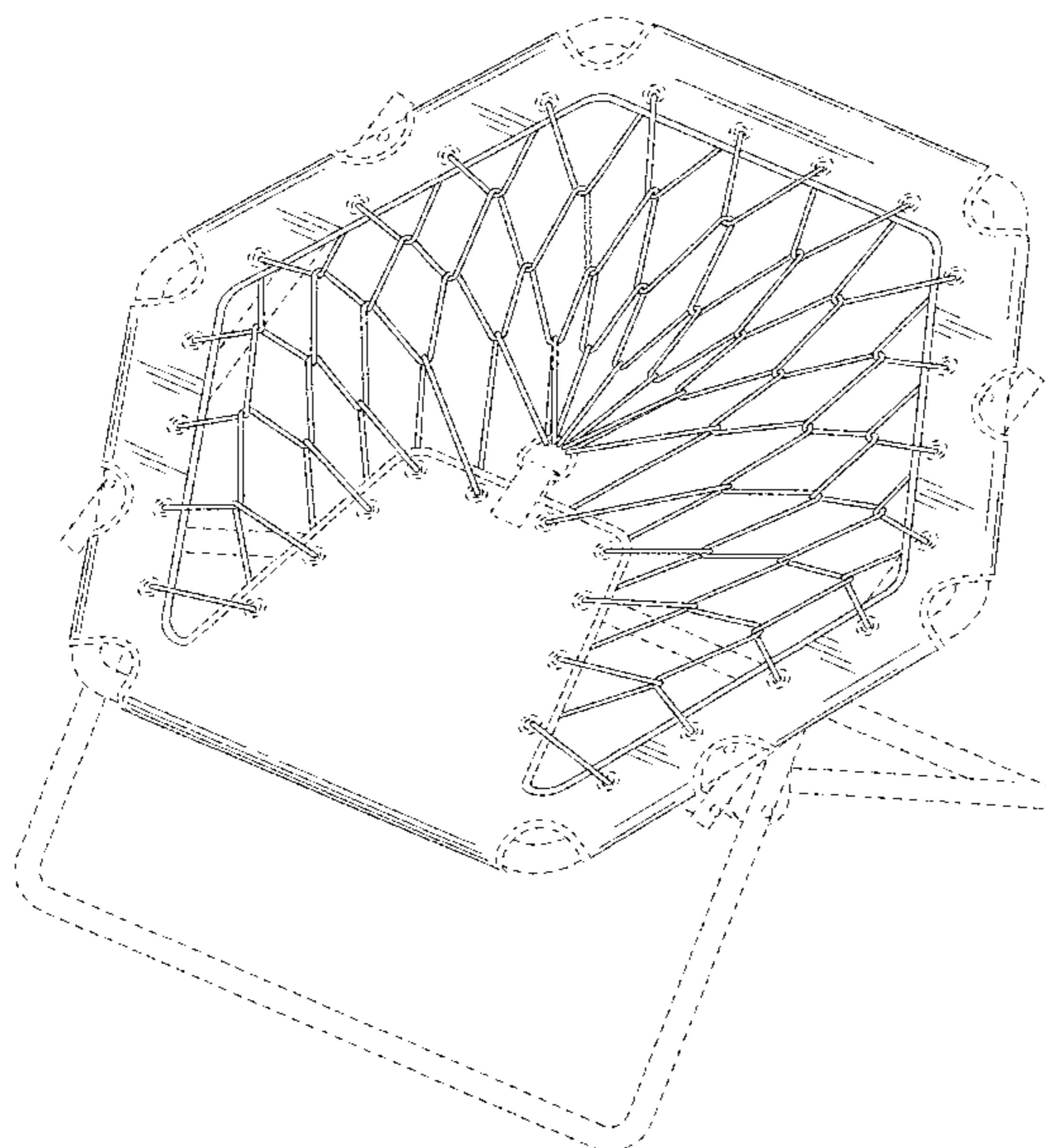
(57) **CLAIM**

The ornamental design for a bungee chair, as shown and described.

DESCRIPTION

FIG. 1 is a front perspective view of a bungee chair; FIG. 2 is a front view of the bungee chair of FIG. 1; FIG. 3 is a rear view of the bungee chair of FIG. 1; FIG. 4 is a top view of the bungee chair of FIG. 1; FIG. 5 is a left side view of the bungee chair of FIG. 1; and FIG. 6 is a right side view of the bungee chair of FIG. 1; and, FIG. 7 is a bottom view of the bungee chair of FIG. 1. In FIGS. 1 through 7, the broken lines are for illustrative purposes, boundaries, and environmental structural support for the chair, and form no part of the claimed design.

1 Claim, 4 Drawing Sheets



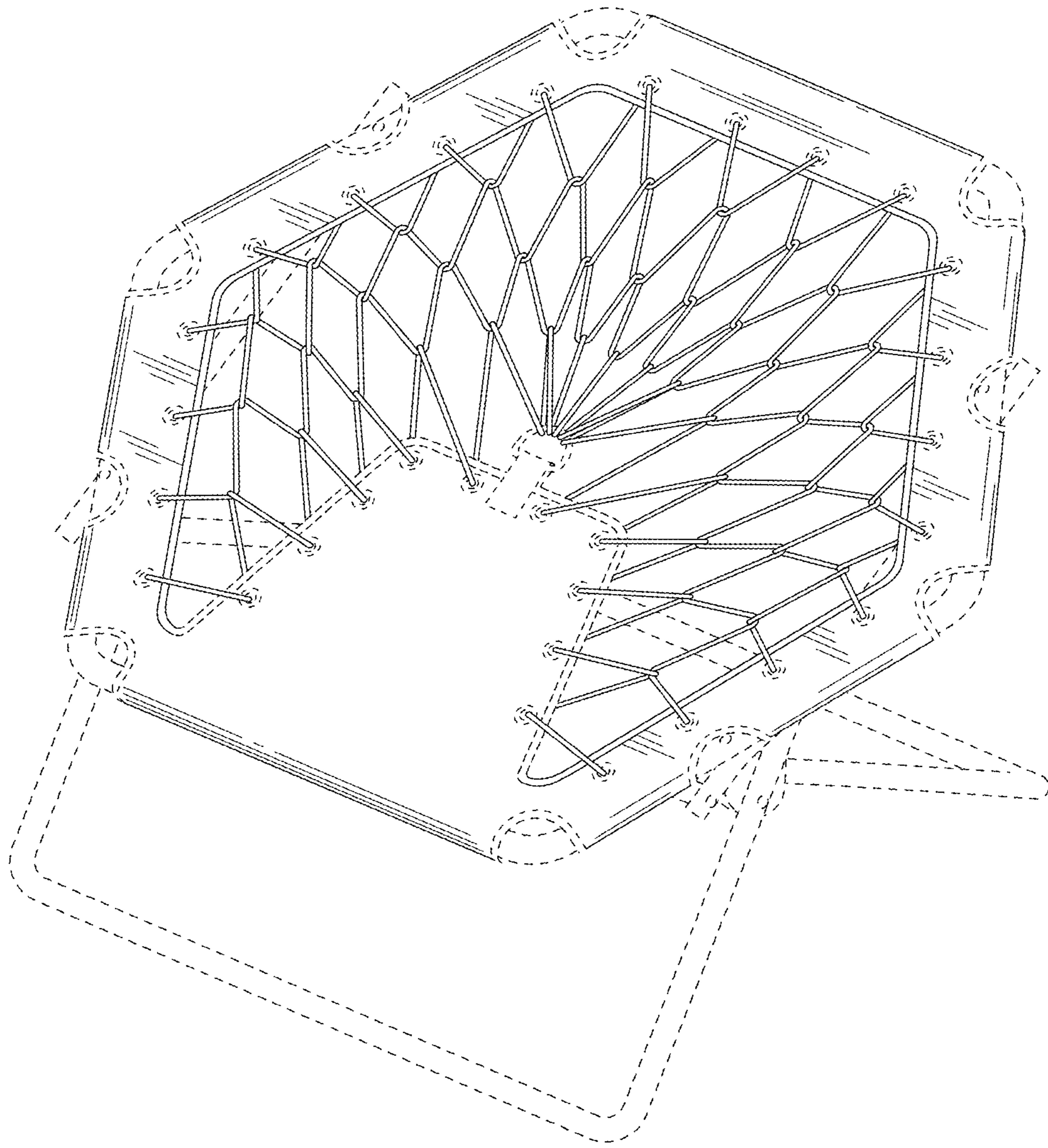


FIG. 1

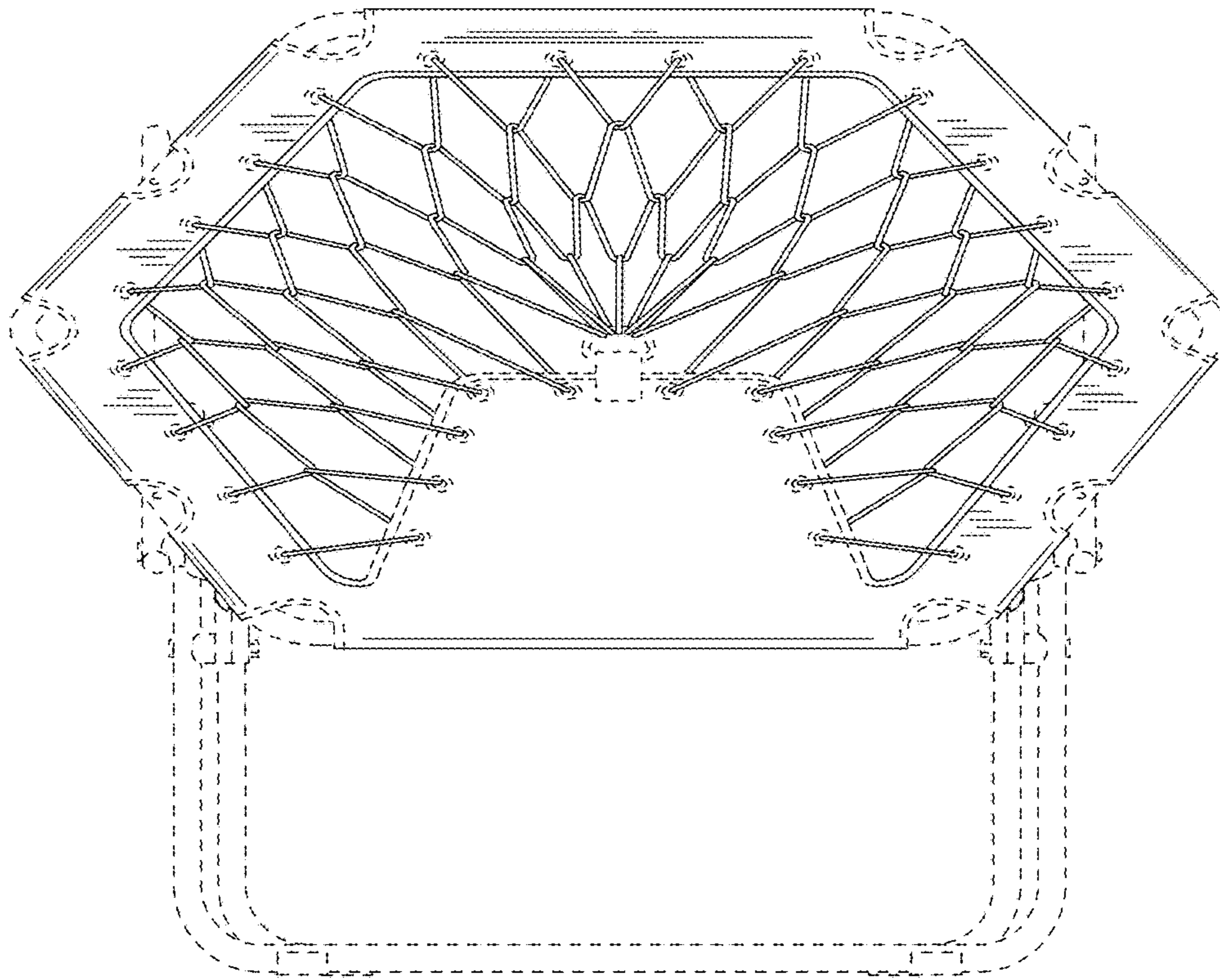


FIG. 2

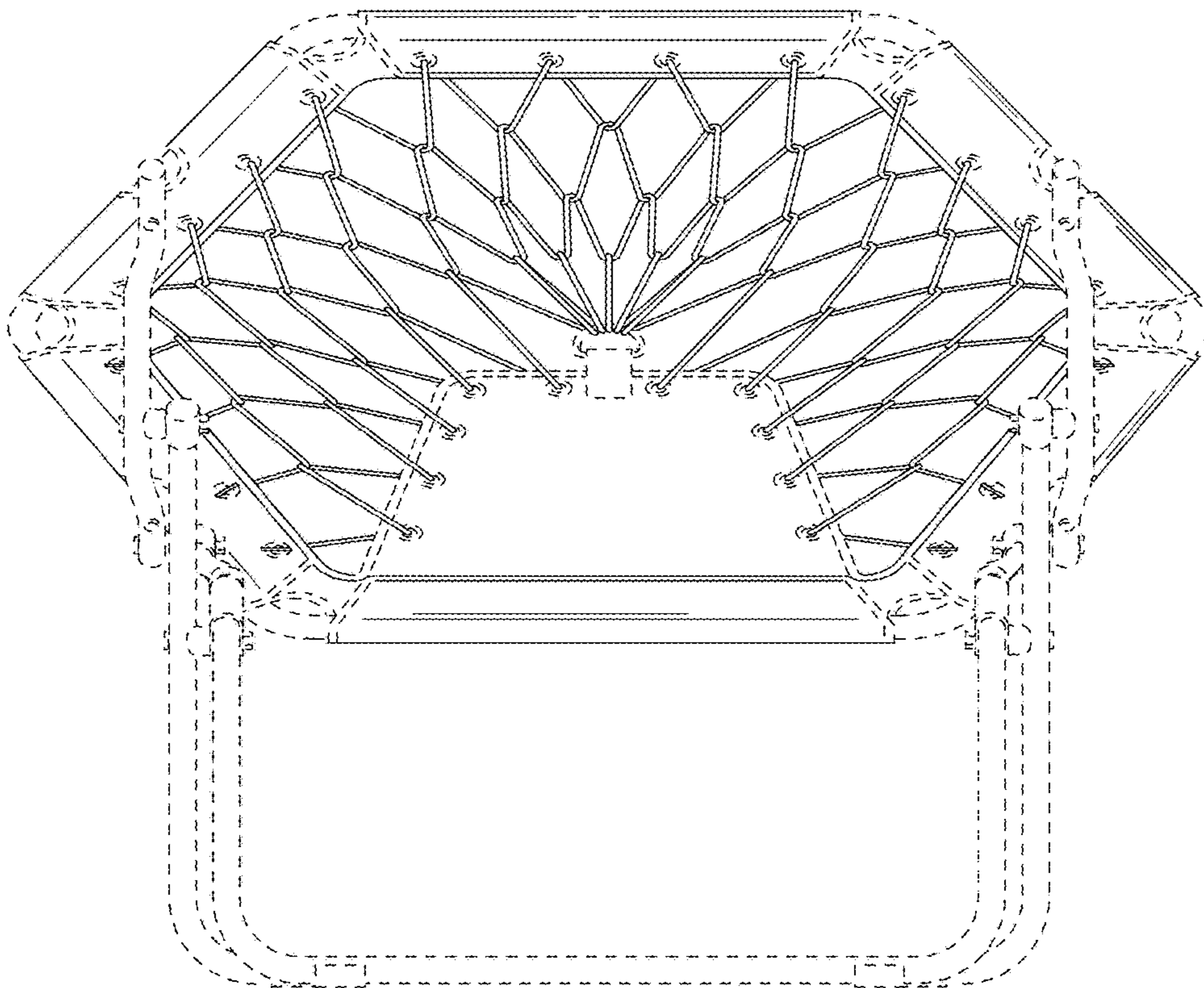


FIG. 3

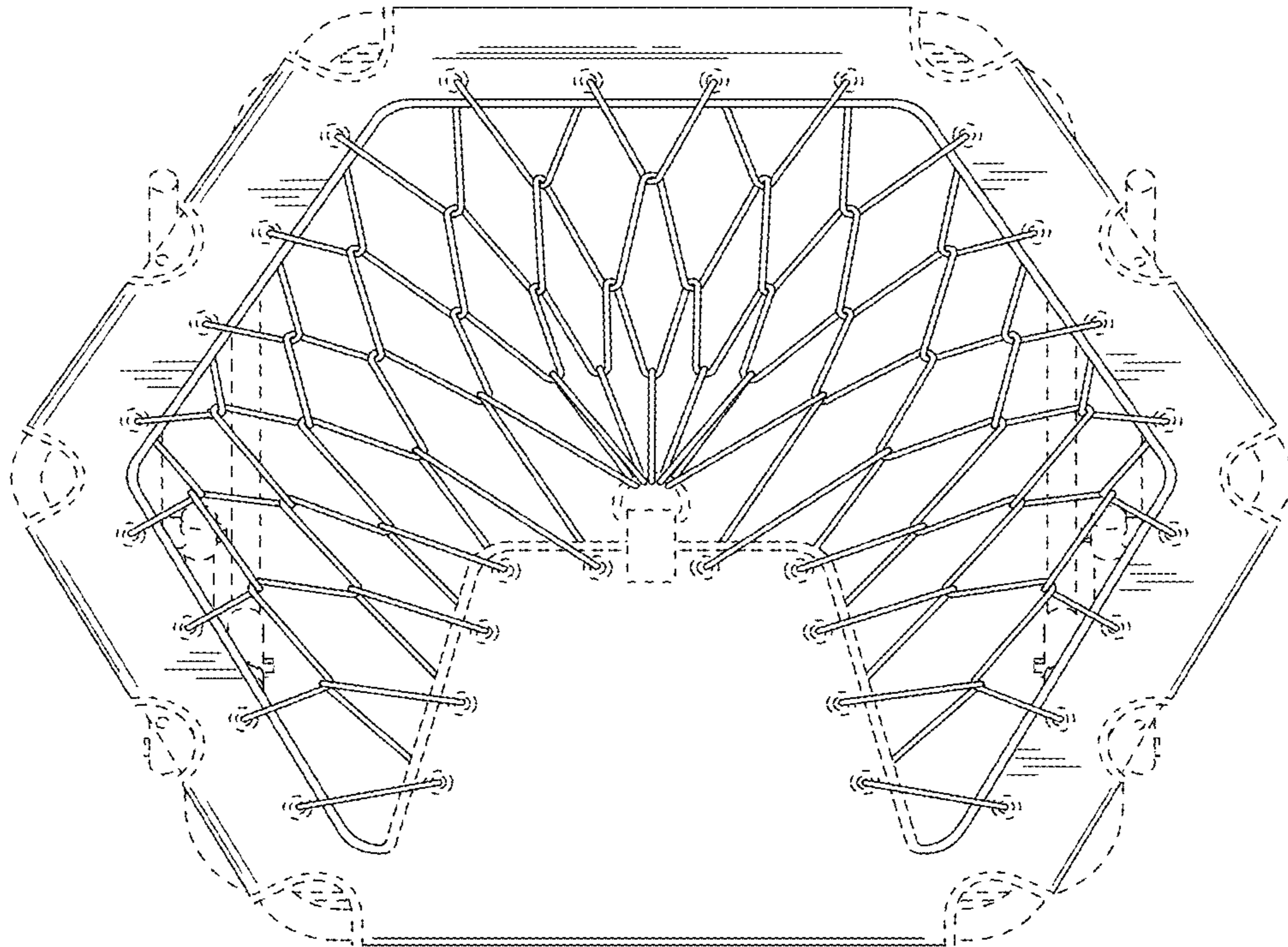


FIG. 4

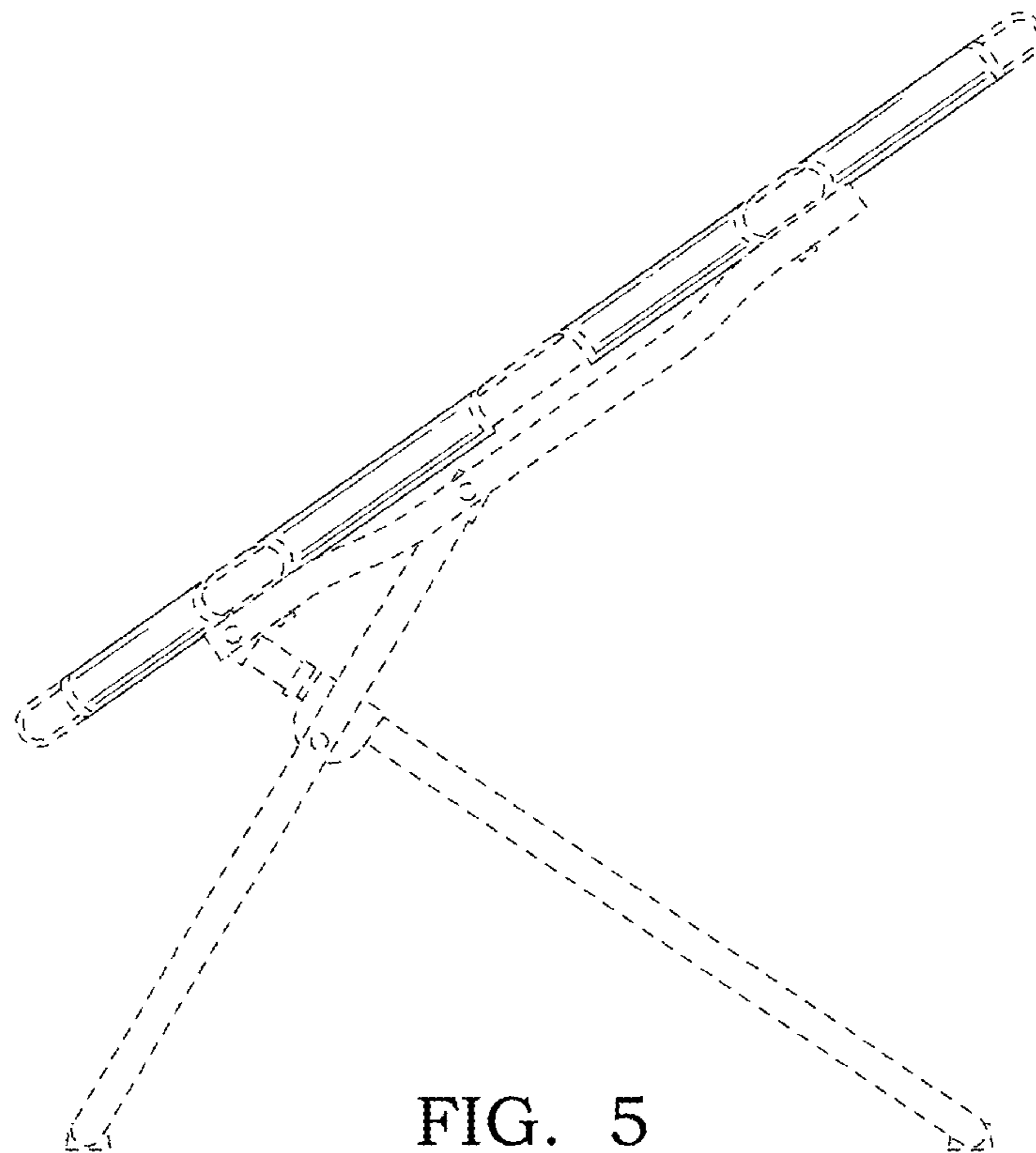


FIG. 5

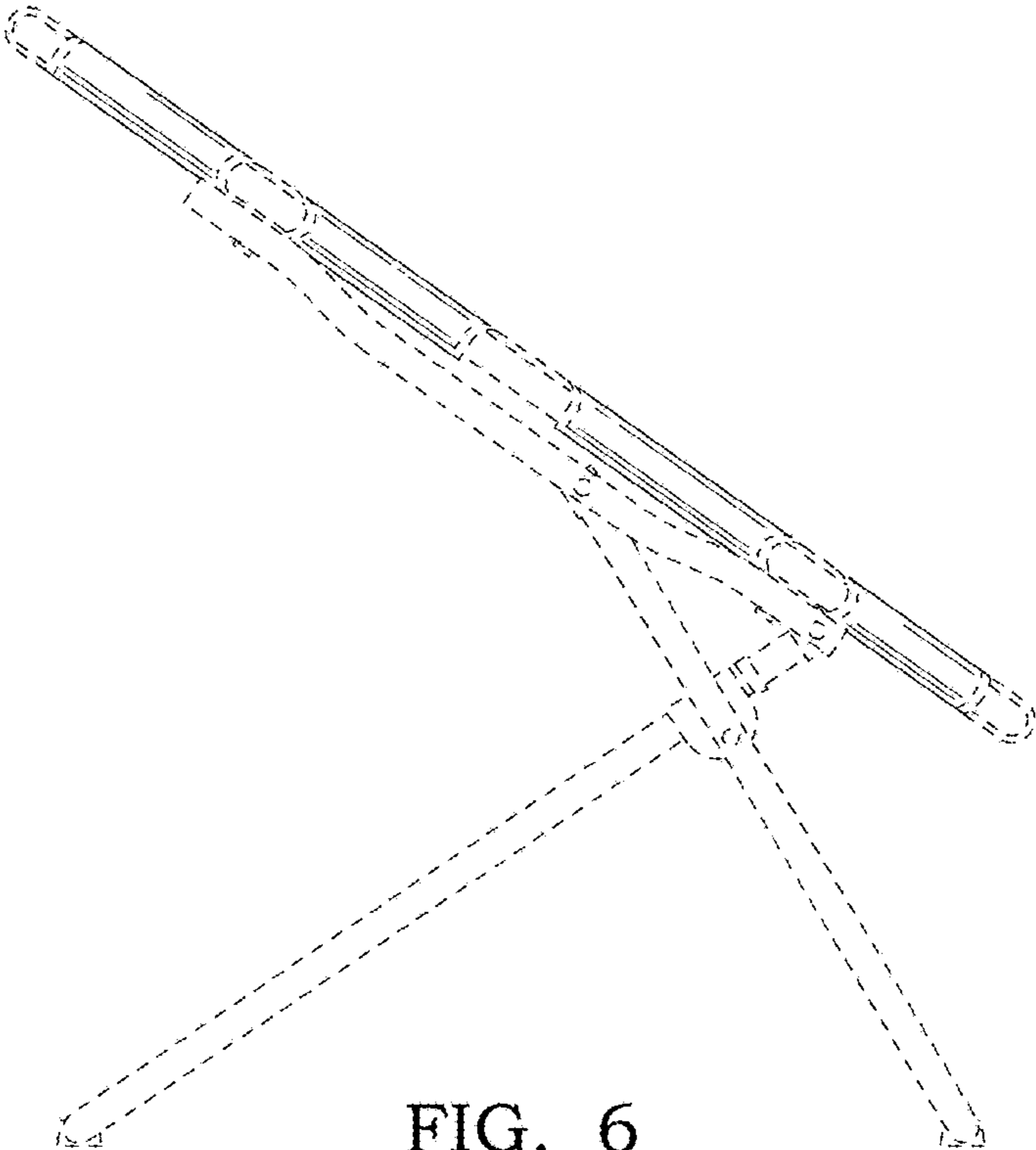


FIG. 6

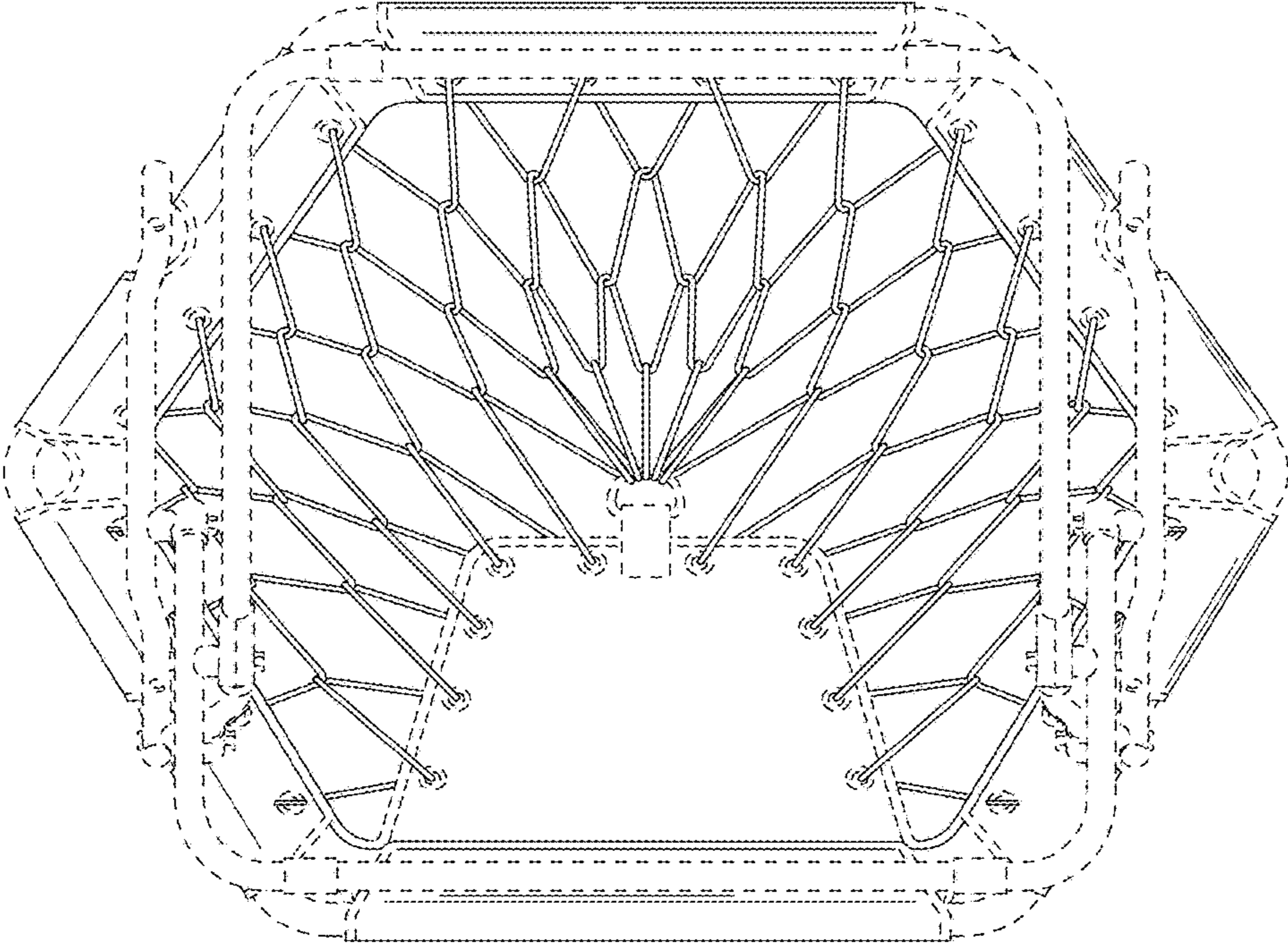


FIG. 7