



US00D811791S

(12) **United States Design Patent**
Chavarria

(10) **Patent No.:** **US D811,791 S**

(45) **Date of Patent:** **** Mar. 6, 2018**

(54) **SEAT AND BACKREST OF A FOLDING CHAIR**

3,094,357 A * 6/1963 Shwayder A47C 4/24
297/452.1
6,669,281 B1 * 12/2003 Huang A47C 4/18
297/16.1
6,899,396 B2 * 5/2005 Bales A47C 5/04
297/239

(71) Applicant: **Zhuhai Shichang Metals, Ltd.**, Zhuhai,
Guangdong Province (CN)

(Continued)

(72) Inventor: **Juan Chavarria**, Barcelona (ES)

OTHER PUBLICATIONS

(73) Assignee: **Zhuhai Shichang Metals Ltd.**, Zhuhai
(CN)

Maxchief Europe, S.L.; Zown Contract Design Factory Technical
Sheet: Alex Chair; one page.

(Continued)

(**) Term: **15 Years**

Primary Examiner — Mimosa De

(21) Appl. No.: **29/587,763**

(74) *Attorney, Agent, or Firm* — Luedeka Neely Group
PC

(22) Filed: **Dec. 15, 2016**

(51) **LOC (11) Cl.** **06-01**

(52) **U.S. Cl.**
USPC **D6/716; D6/368**

(57) **CLAIM**

(58) **Field of Classification Search**
USPC D6/334-336, 368, 373, 374, 376, 379,
D6/380, 716, 716.1, 716.2, 716.3, 716.4
CPC .. A47C 3/04; A47C 3/045; A47C 4/00; A47C
4/03; A47C 4/04; A47C 4/08; A47C 4/14;
A47C 4/18; A47C 4/20; A47C 4/24;
A47C 5/04

The ornamental design for a seat and backrest of a folding
chair, as shown and described.

See application file for complete search history.

DESCRIPTION

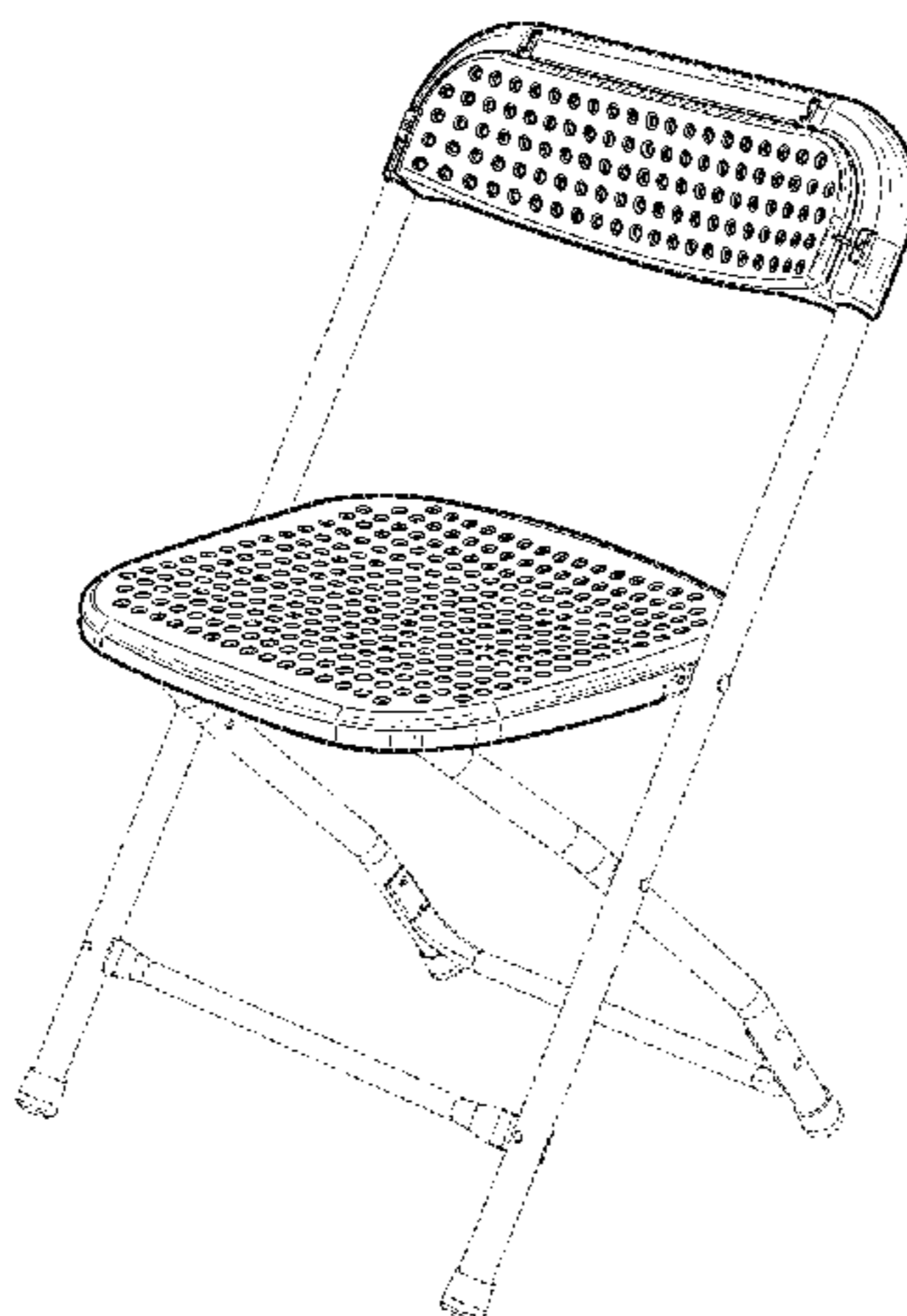
(56) **References Cited**

U.S. PATENT DOCUMENTS

1,841,744 A * 1/1932 Lawrence A47C 4/20
297/60
D107,545 S * 12/1937 O'Connor D6/368
2,261,588 A * 11/1941 O'Connor A47C 4/24
297/58
2,294,340 A * 8/1942 Irven A47C 4/24
297/48
2,458,095 A * 1/1949 O'Connor A47C 4/24
297/452.18
2,757,715 A * 8/1956 Hendrickson A47C 4/24
297/58

FIG. 1 is a top perspective view of the seat and backrest of
a folding chair;
FIG. 2 is a bottom perspective view of the seat and backrest
of a folding chair;
FIG. 3 is a right side elevation view of the seat and backrest
of a folding chair;
FIG. 4 is a left side elevation view of the seat and backrest
of a folding chair;
FIG. 5 is a front elevation view of the seat and backrest of
a folding chair;
FIG. 6 is a rear elevation view of the seat and backrest of a
folding chair;
FIG. 7 is a top plan view of the seat and backrest of a folding
chair; and,
FIG. 8 is a bottom plan view of the seat and backrest of a
folding chair.

(Continued)



The broken lines shown in the figures are included for the purpose of illustrating environment only and form no part of the claimed design.

1 Claim, 8 Drawing Sheets

(56) **References Cited**

U.S. PATENT DOCUMENTS

D599,127 S	*	9/2009	Smith	D6/368
D648,554 S	*	11/2011	Smith	D6/368
D653,471 S	*	2/2012	Chan	D6/368
D710,623 S	*	8/2014	Peery	D6/368
D794,372 S	*	8/2017	Lin	D6/716

OTHER PUBLICATIONS

Zown Catalogue; Alex Chair: Ultra-lightweigh chair with high load capacity; one page.

Webpage: Samsonite Furniture: Plastic Folding Chairs; 2200 Series Injection Mold Folding Chair; https://www.samsonitefurniture.com/product/2200_series_injection_mold_folding_chair.

Webpage: Nardi; Bora Bistrot Chair; http://www.nardigarden.com/en/garden/top/chairs/bora-bistrop_111_188.htm.

* cited by examiner

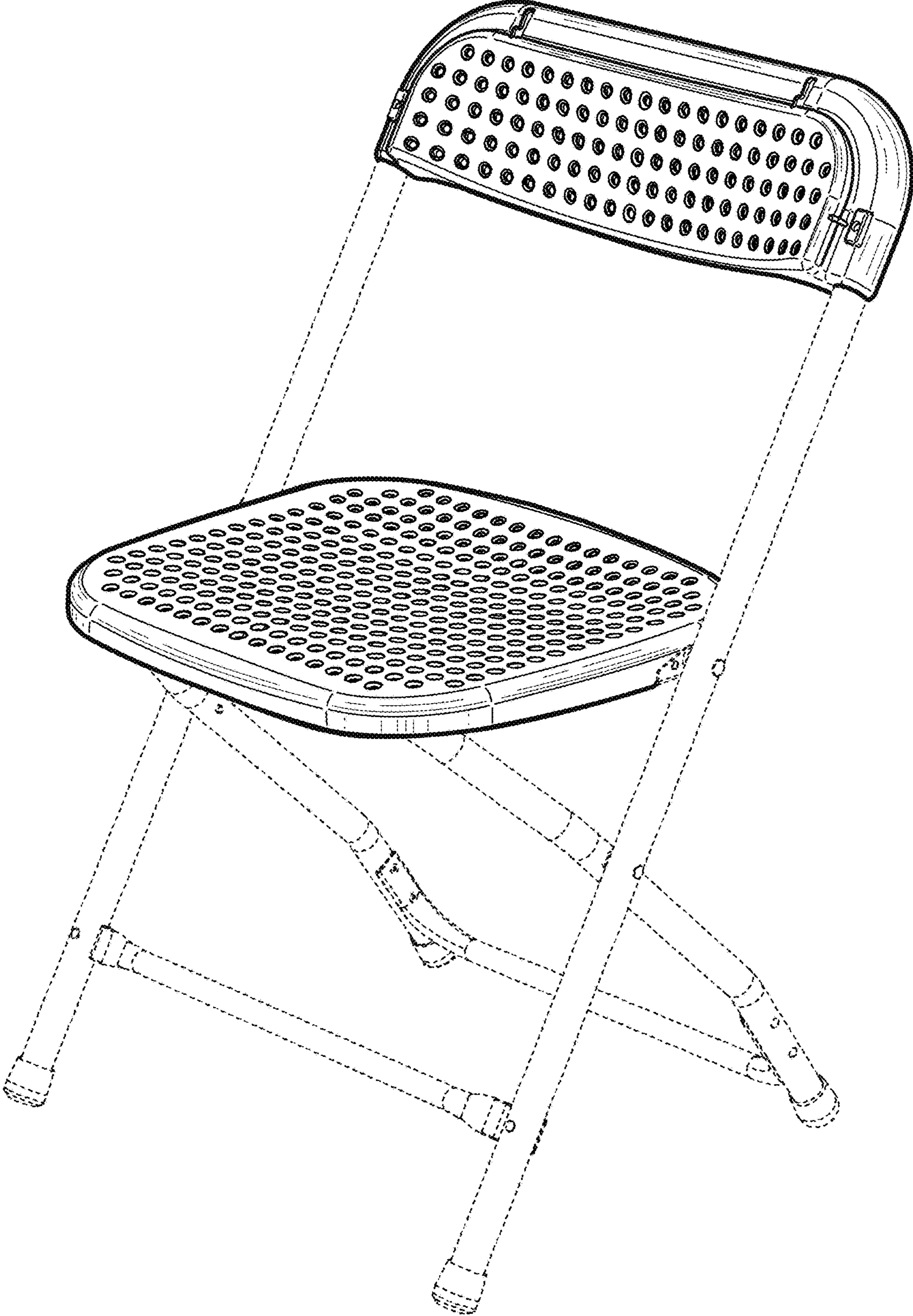


FIG. 1

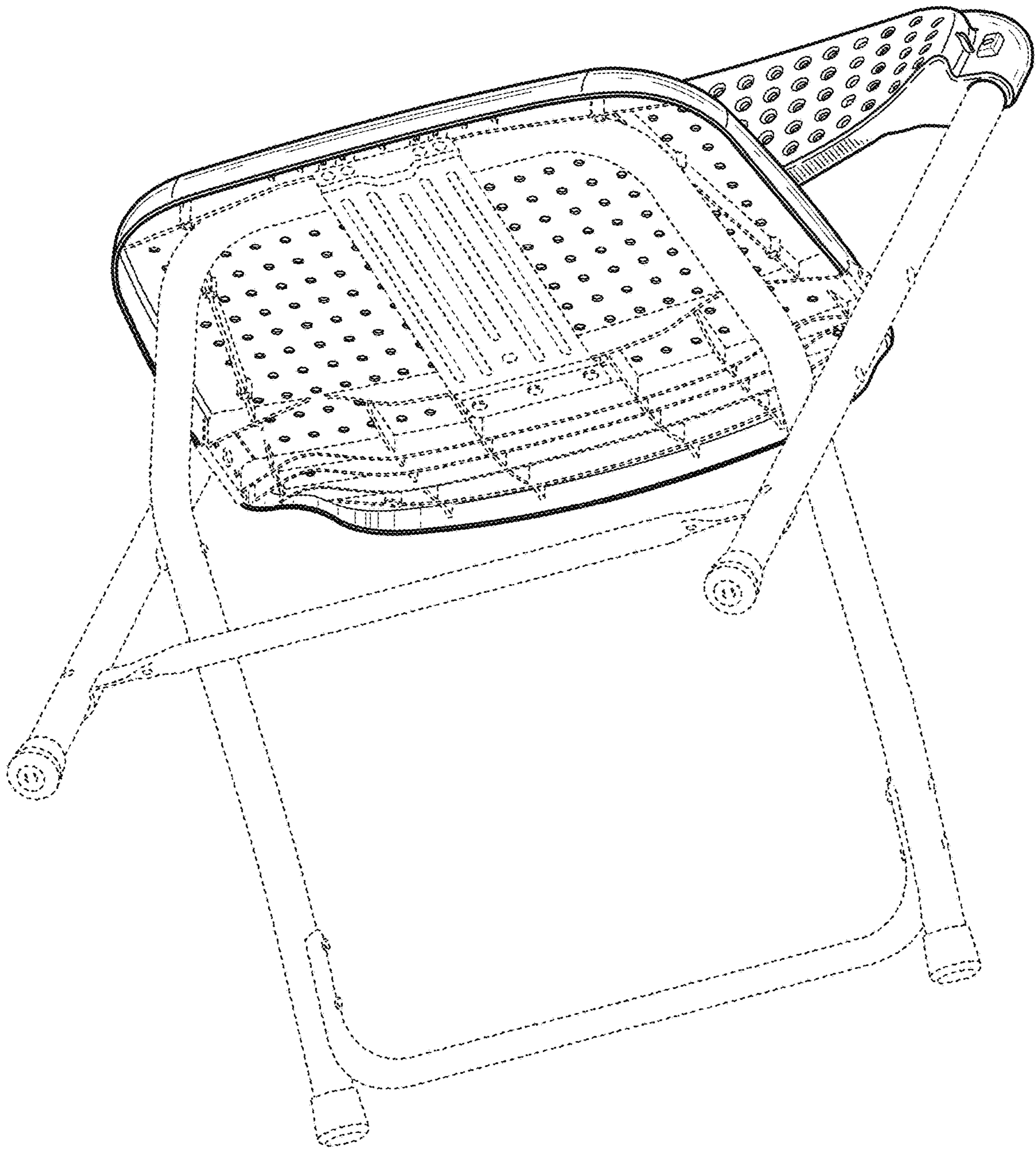


FIG. 2

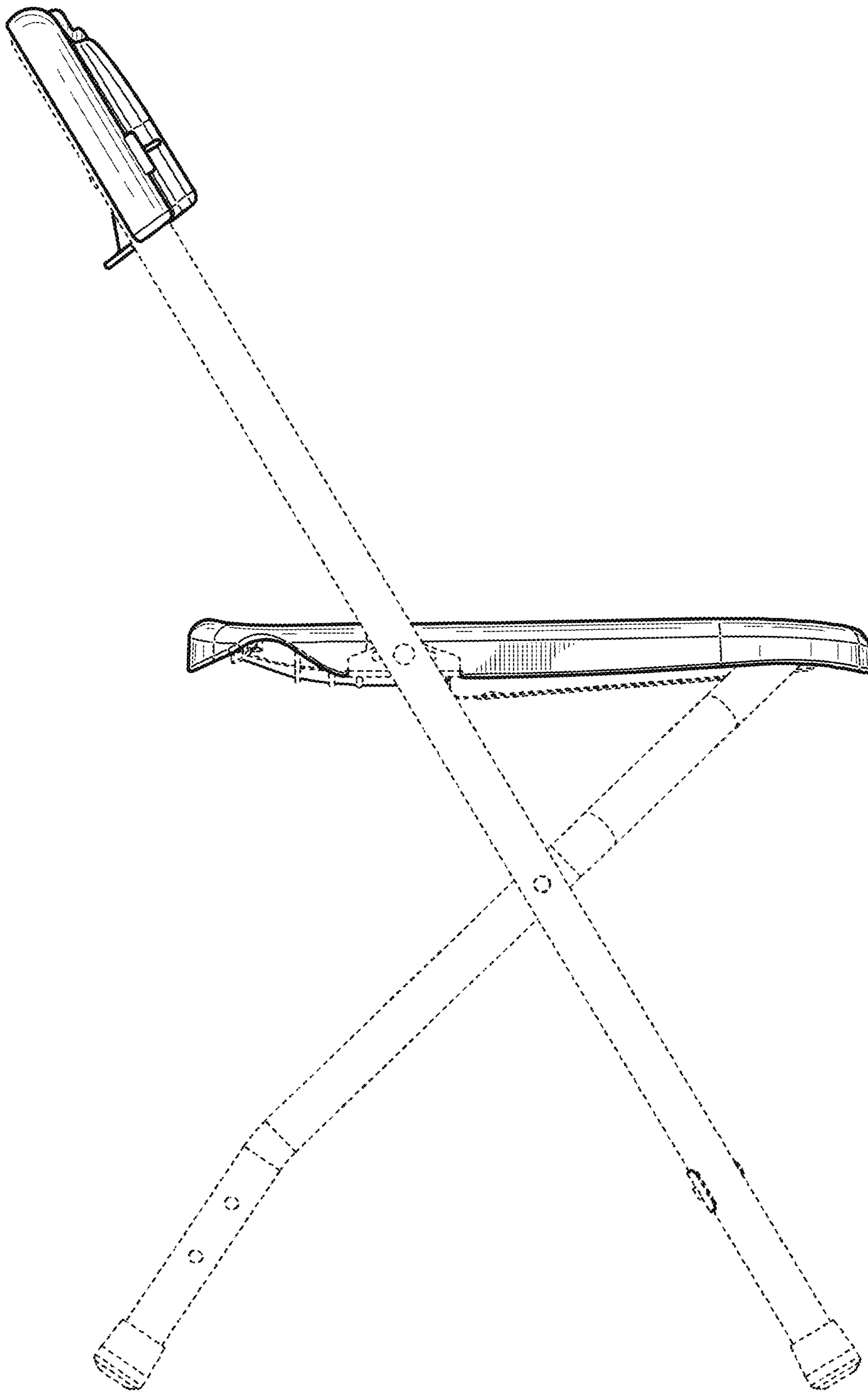


FIG. 3

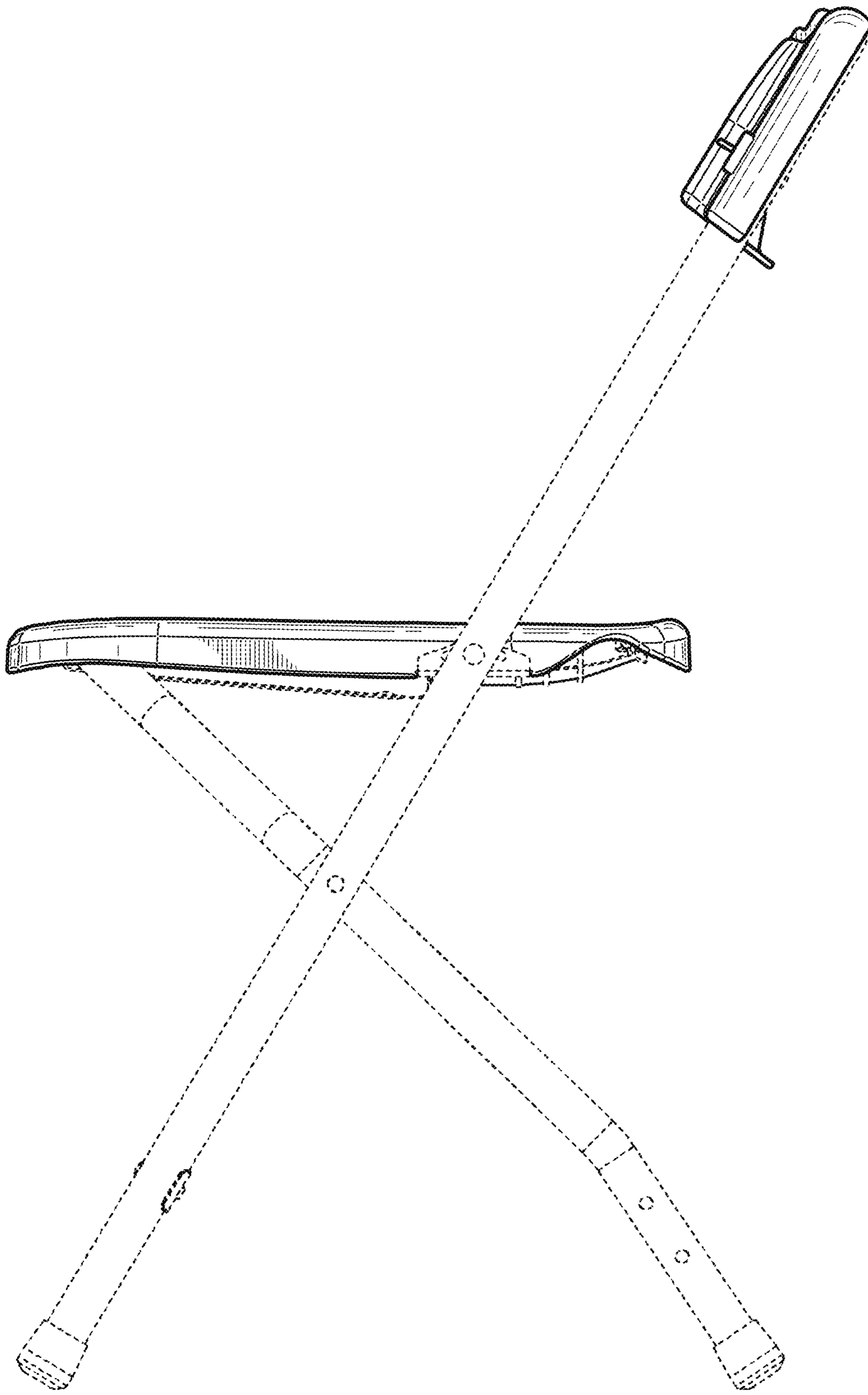


FIG. 4

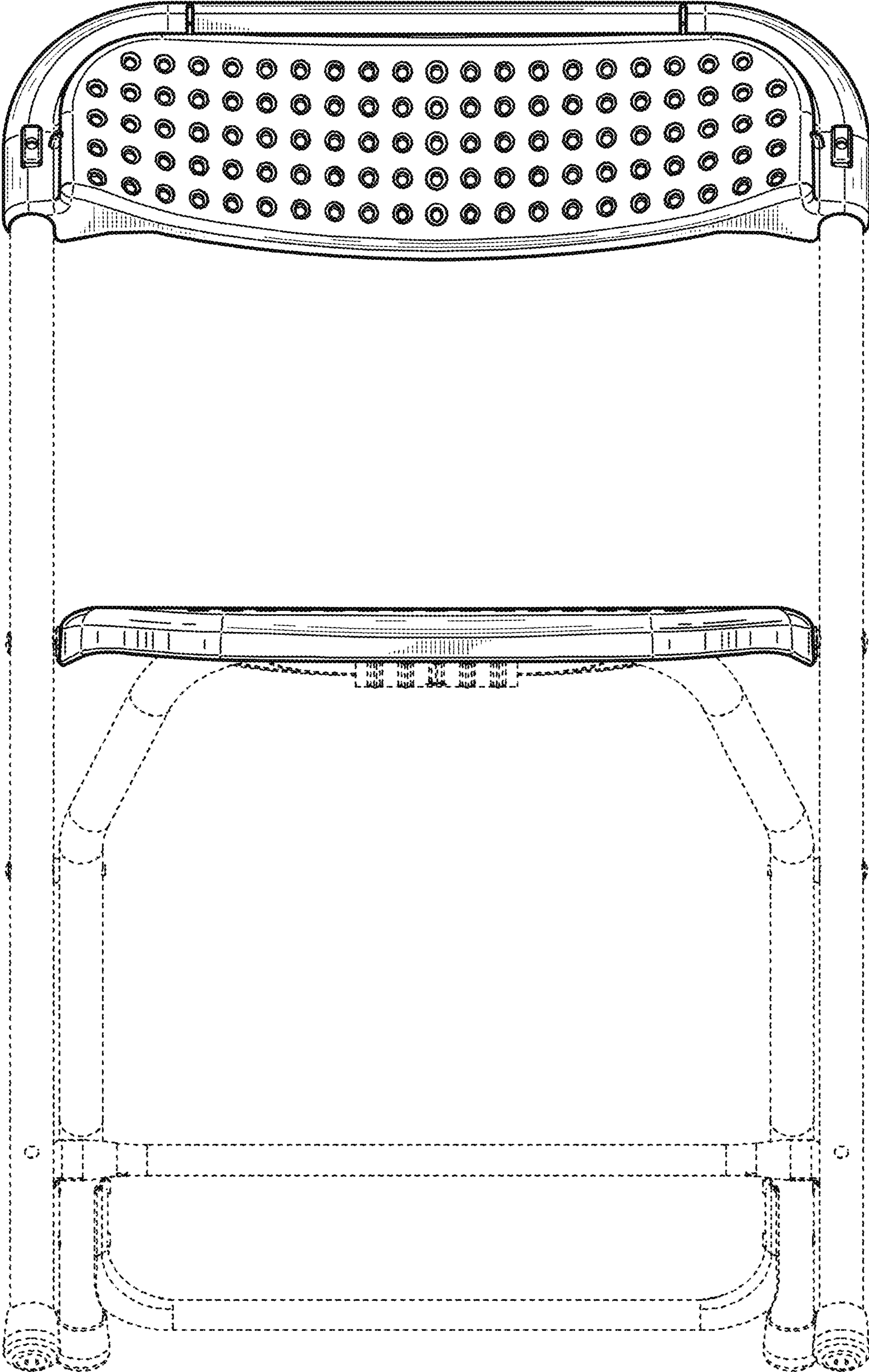


FIG. 5

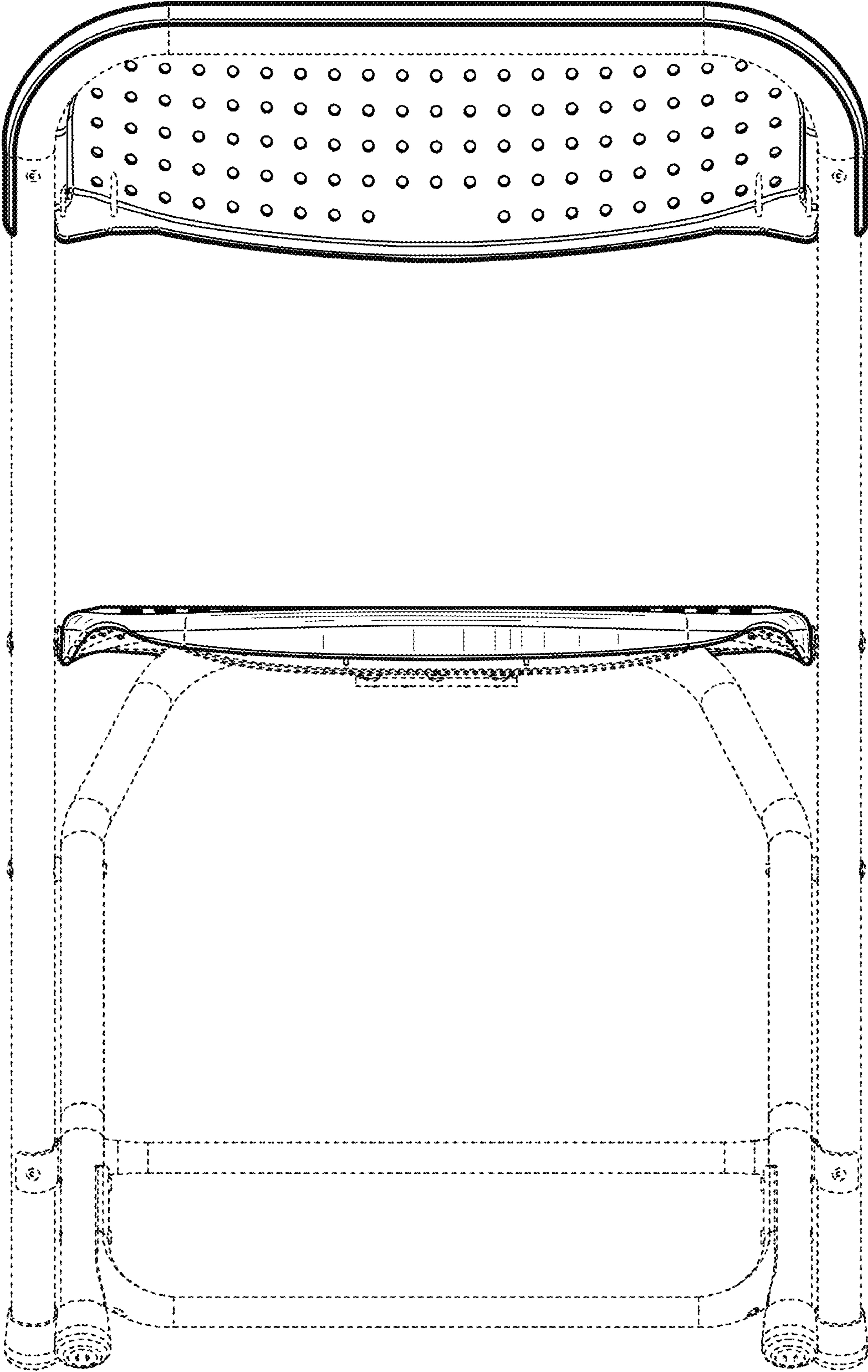


FIG. 6

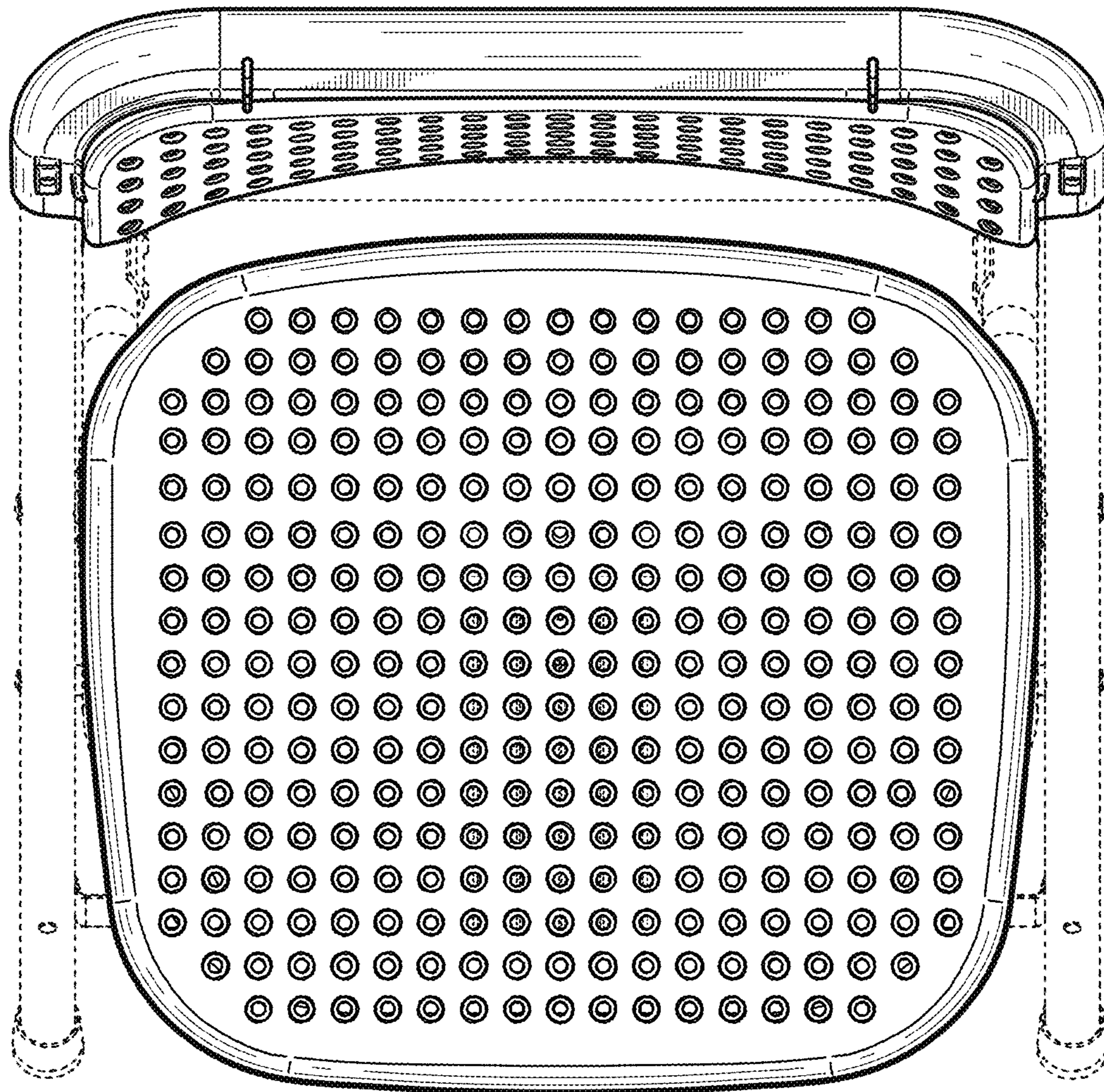


FIG. 7

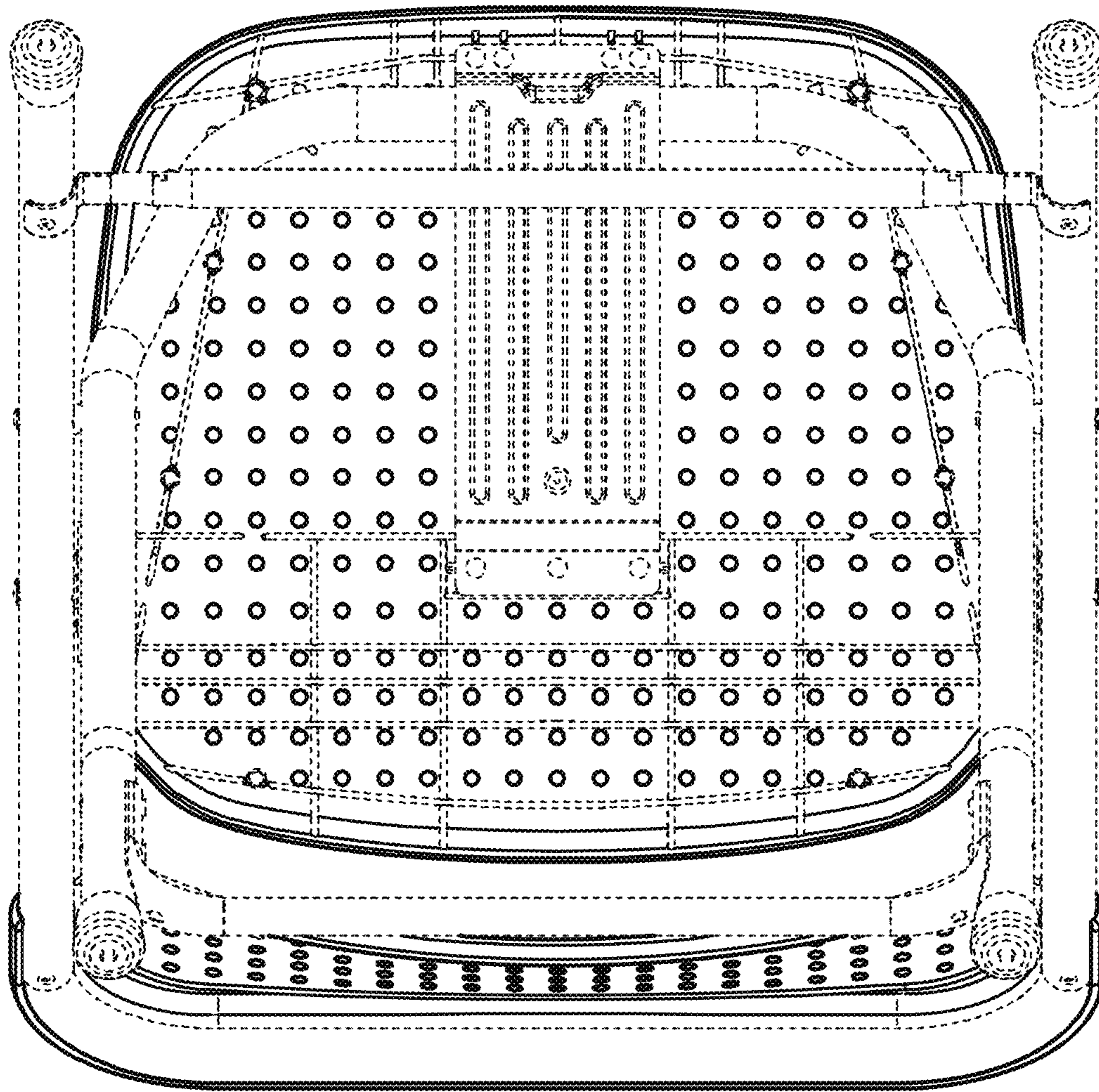


FIG. 8