



US00D811790S

(12) **United States Design Patent**
Chavarria

(10) **Patent No.:** **US D811,790 S**

(45) **Date of Patent:** **** Mar. 6, 2018**

(54) **CHAIR FRAME AND LEGS**

(71) Applicant: **Zhuhai Shichang Metals, Ltd.**, Zhuhai (CN)

(72) Inventor: **Juan Chavarria**, Barcelona (ES)

(73) Assignee: **Zhuhai Shichang Metals Ltd.**, Zhuhai (CN)

(**) Term: **15 Years**

(21) Appl. No.: **29/593,174**

(22) Filed: **Feb. 7, 2017**

(51) **LOC (11) Cl.** **06-01**

(52) **U.S. Cl.**

USPC **D6/708.16**; D6/375

(58) **Field of Classification Search**

USPC D6/334-336, 371, 372, 373, 374, 375,
D6/376, 379, 716, 716.1, 716.2, 716.3,
D6/716.4, 709.2, 708.16

CPC A47C 3/04; A47C 3/12; A47C 4/02; A47C
4/03; A47C 4/18; A47C 4/42; A47C 4/44;
A47C 5/04; A47C 5/12; A47C 7/16

See application file for complete search history.

(56) **References Cited**

U.S. PATENT DOCUMENTS

- 3,276,818 A * 10/1966 Durfee et al. A47C 5/04
297/239
- 7,014,268 B2 * 3/2006 Socha, Jr. A47C 3/04
297/239
- D524,082 S * 7/2006 Dettmann D6/380
- D636,619 S * 4/2011 Murdock D6/708.16
- D643,225 S * 8/2011 Hurford D6/376
- D648,561 S * 11/2011 Johansson D6/375

- D648,564 S * 11/2011 Johansson D6/375
- D649,802 S * 12/2011 Breinholt D6/375
- D649,804 S * 12/2011 Keller D6/374
- D669,279 S * 10/2012 Eldoy D6/375
- D686,857 S * 7/2013 Fletcher D6/716
- D686,858 S * 7/2013 Fletcher D6/716
- D728,959 S * 5/2015 Lievore D6/375
- D743,180 S * 11/2015 Mehaffey D6/375
- D772,594 S * 11/2016 Fukasawa D6/375
- D779,220 S * 2/2017 Martinez D6/375
- D792,718 S * 7/2017 Grabowski D6/375

* cited by examiner

Primary Examiner — Mimosa De

(74) *Attorney, Agent, or Firm* — Luedeka Neely Group
PC

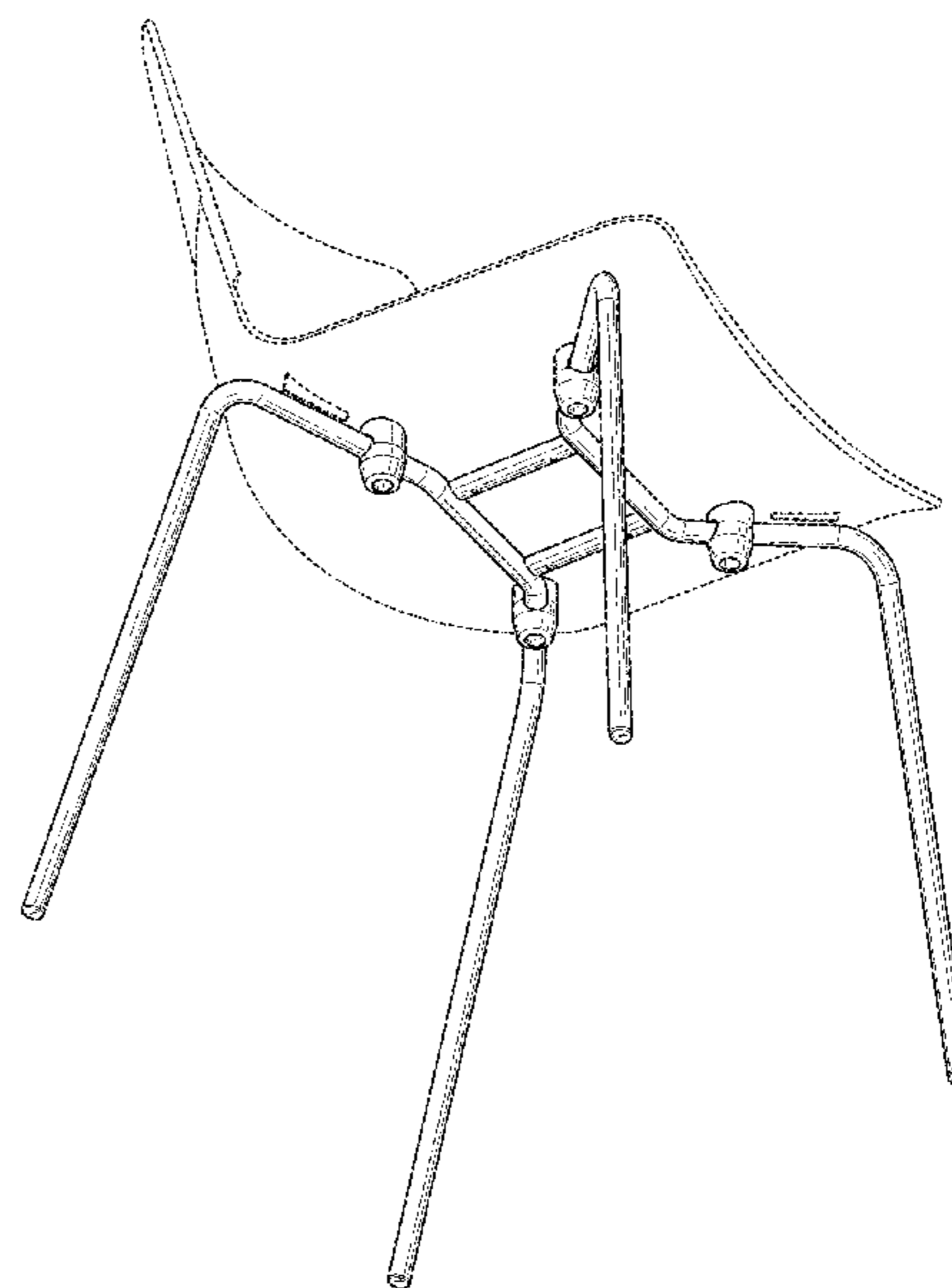
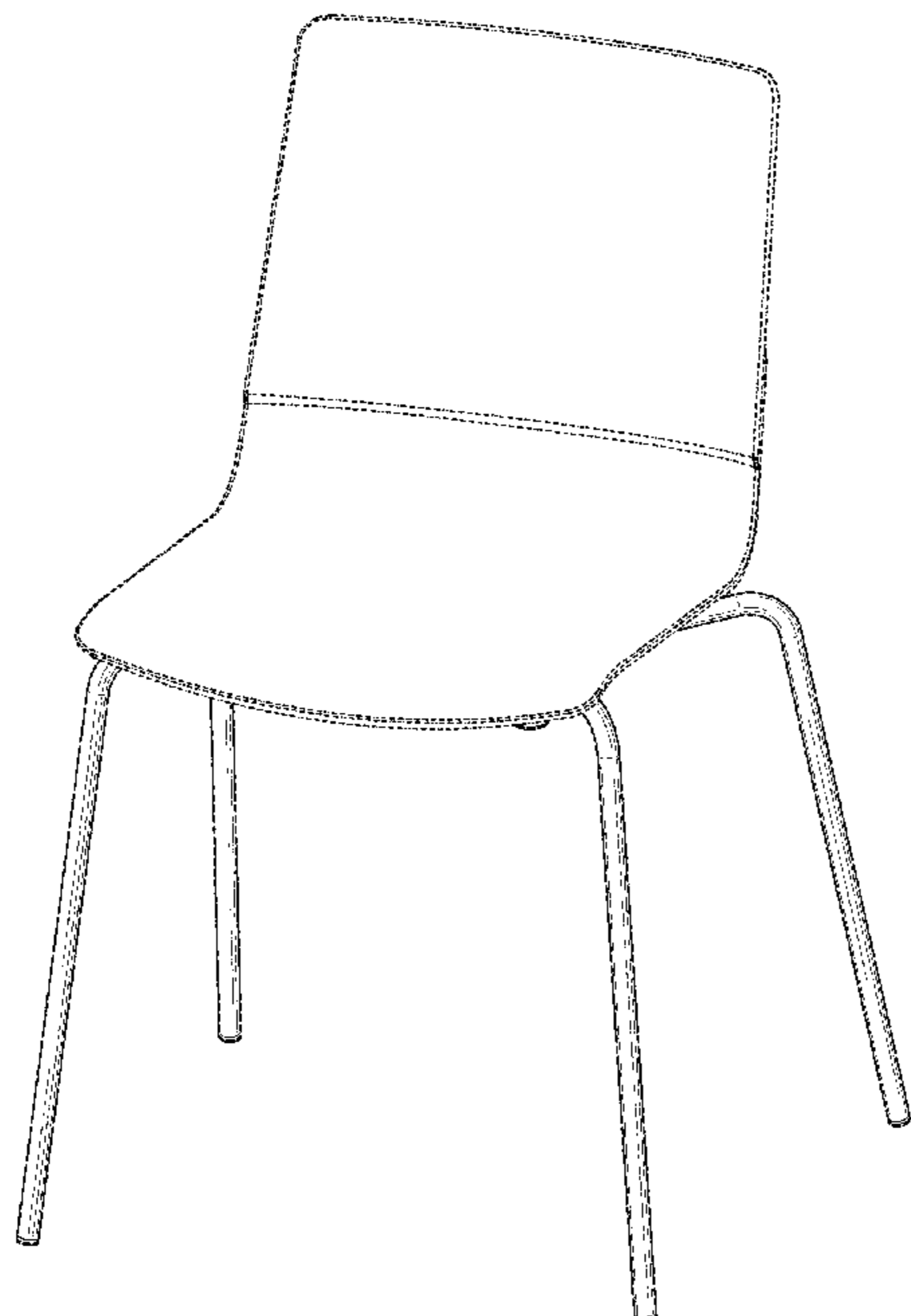
(57) **CLAIM**

The ornamental design for a chair frame and legs, as shown and described.

DESCRIPTION

FIG. 1 is a top perspective view of the chair frame and legs; FIG. 2 is a bottom perspective view of the chair frame and legs; FIG. 3 is a right side elevation view of the chair frame and legs; FIG. 4 is a left side elevation view of the chair frame and legs; FIG. 5 is a front elevation view of the chair frame and legs; FIG. 6 is a rear elevation view of the chair frame and legs; FIG. 7 is a top plan view of the chair frame and legs; and, FIG. 8 is a bottom plan view of the chair frame and legs. The broken lines shown in the figures are included for the purpose of illustrating environment only and form no part of the claimed design.

1 Claim, 8 Drawing Sheets



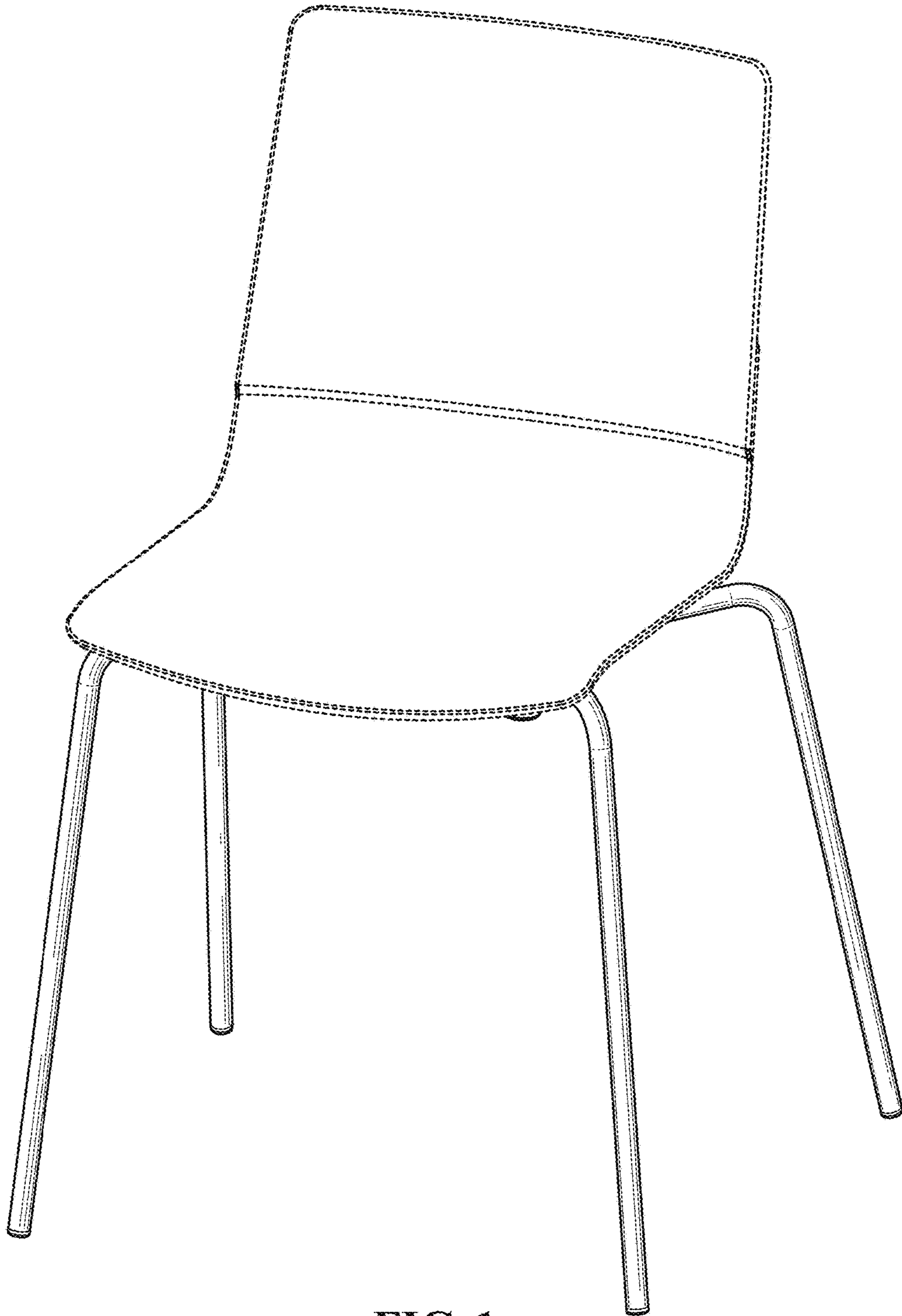


FIG. 1

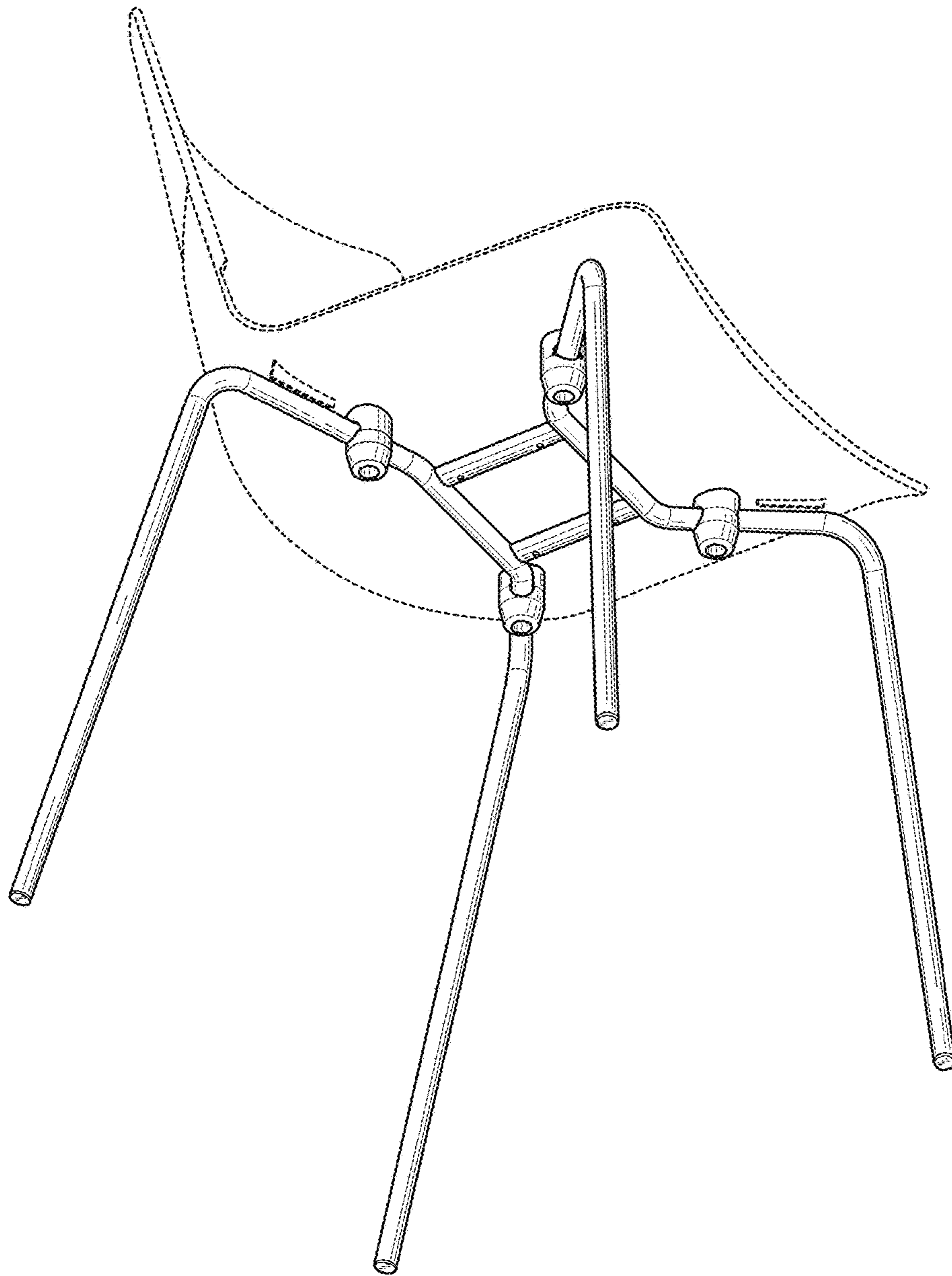


FIG. 2

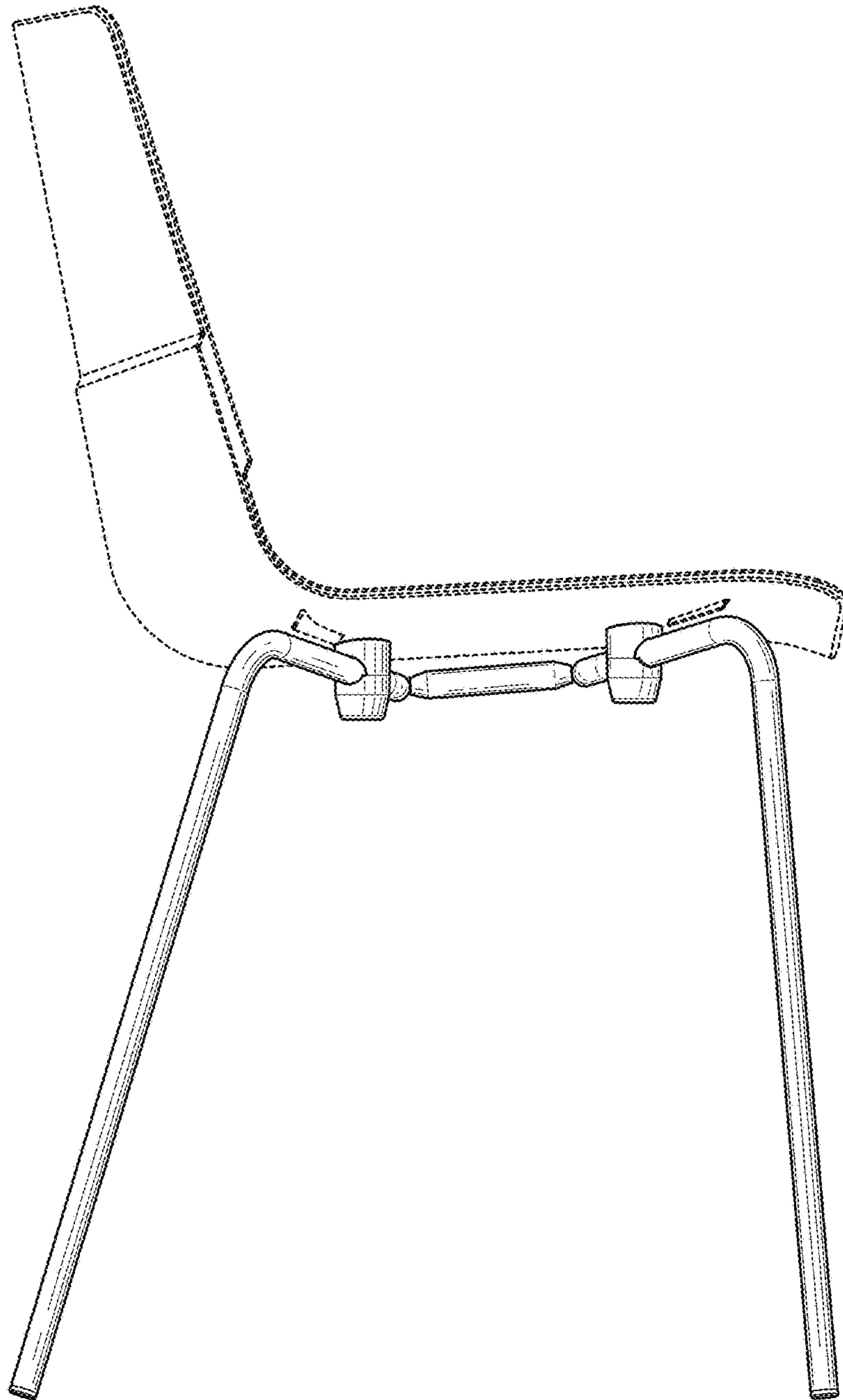


FIG. 3

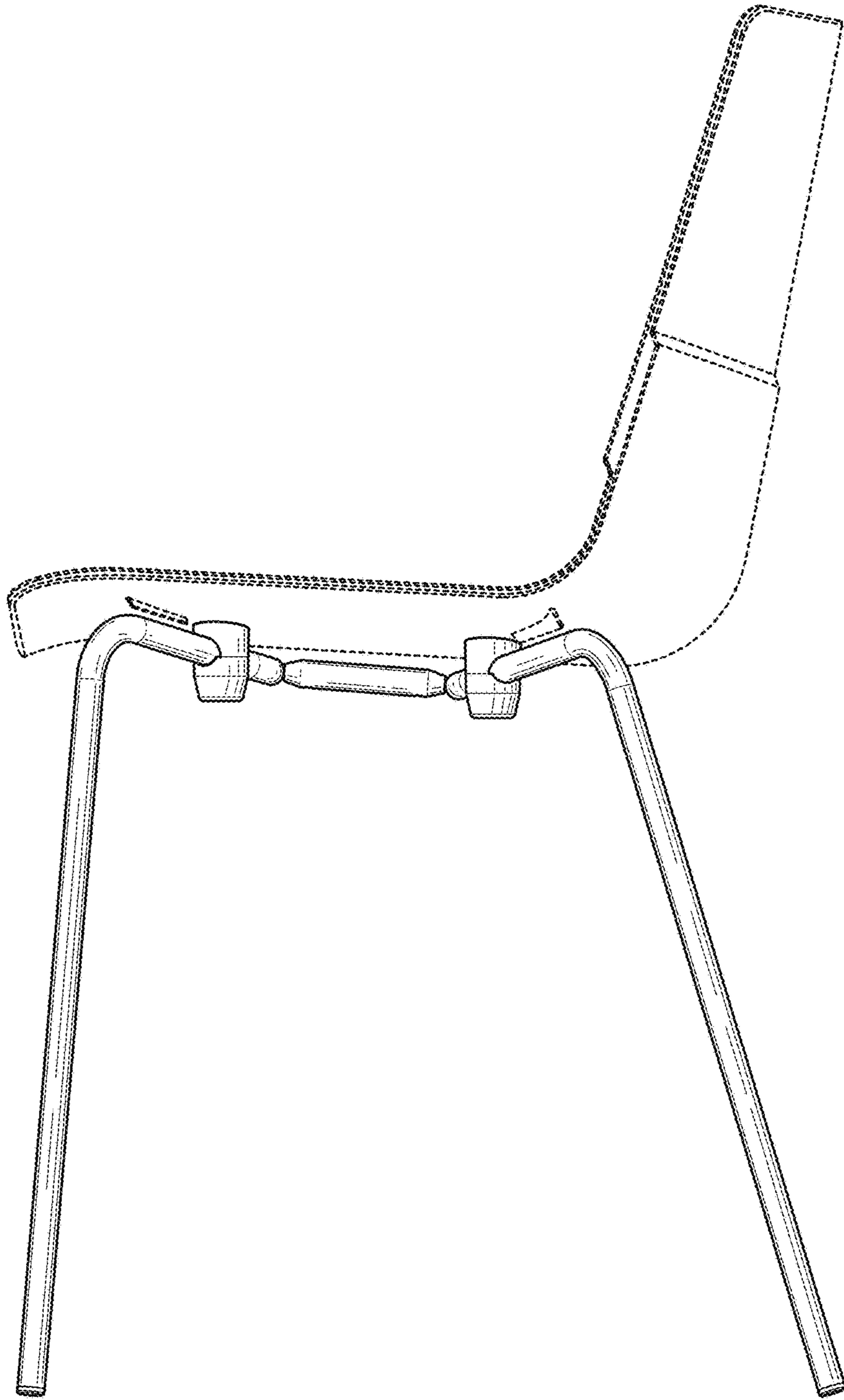


FIG. 4

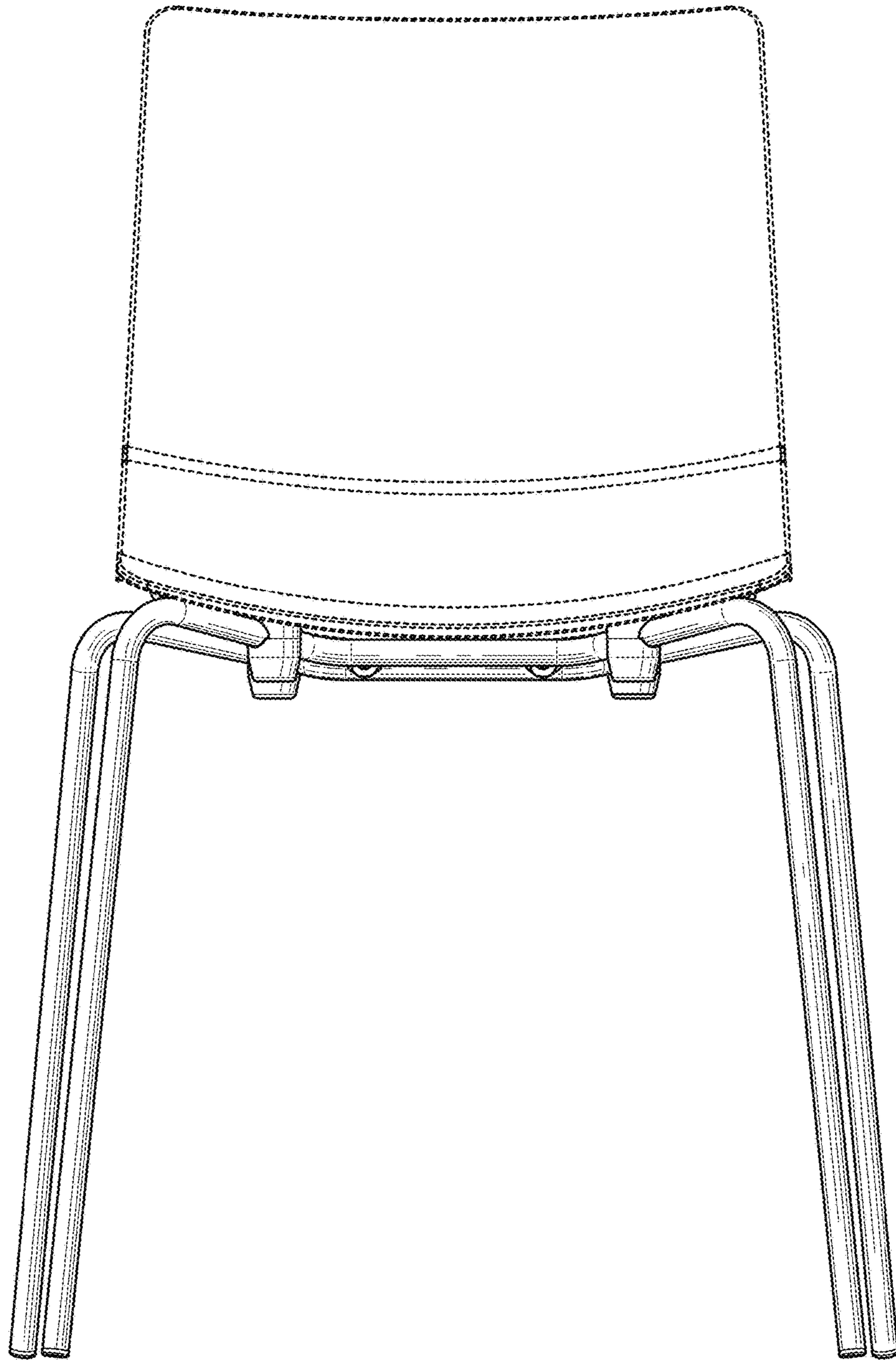


FIG. 5

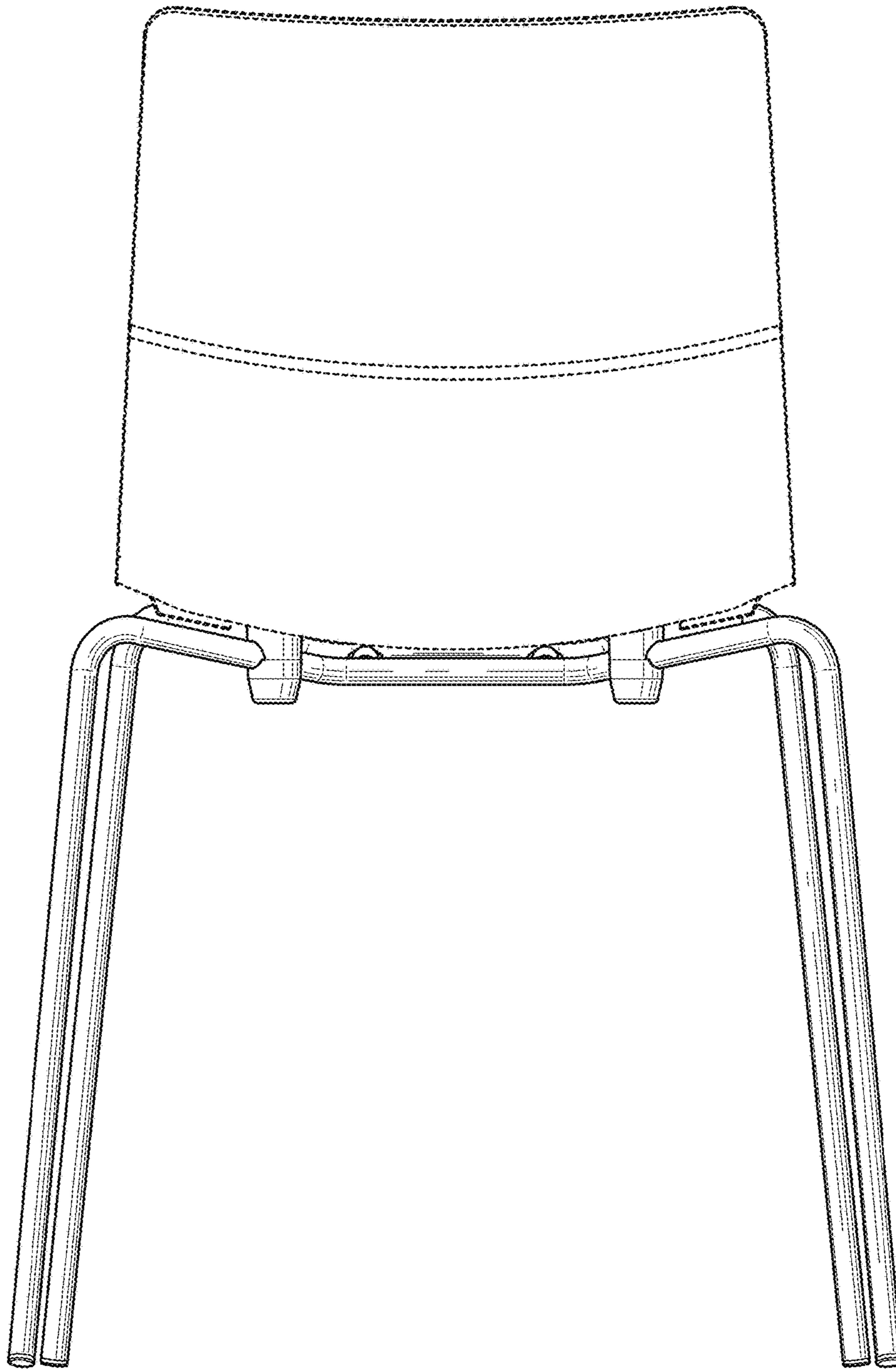


FIG. 6

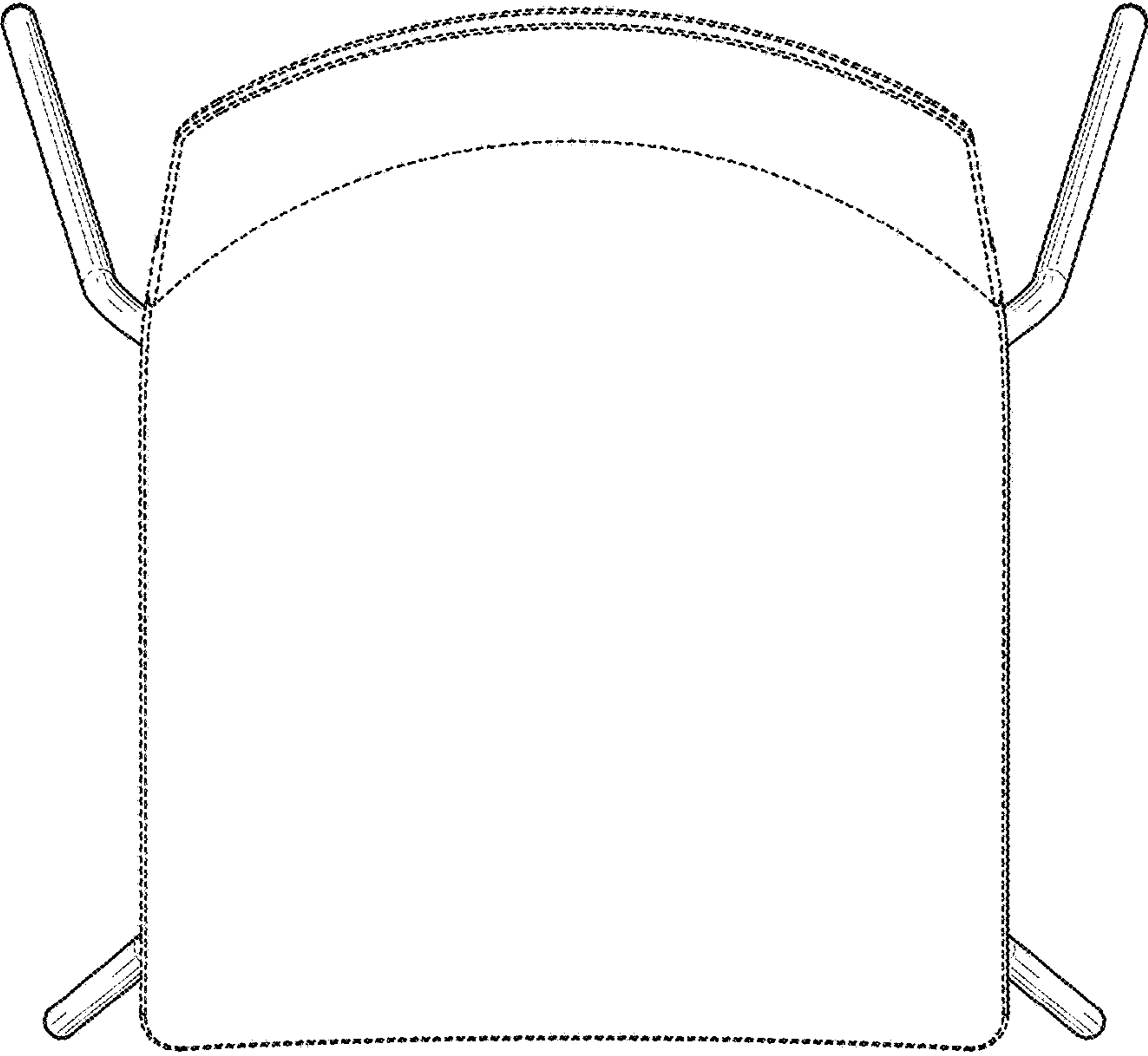


FIG. 7

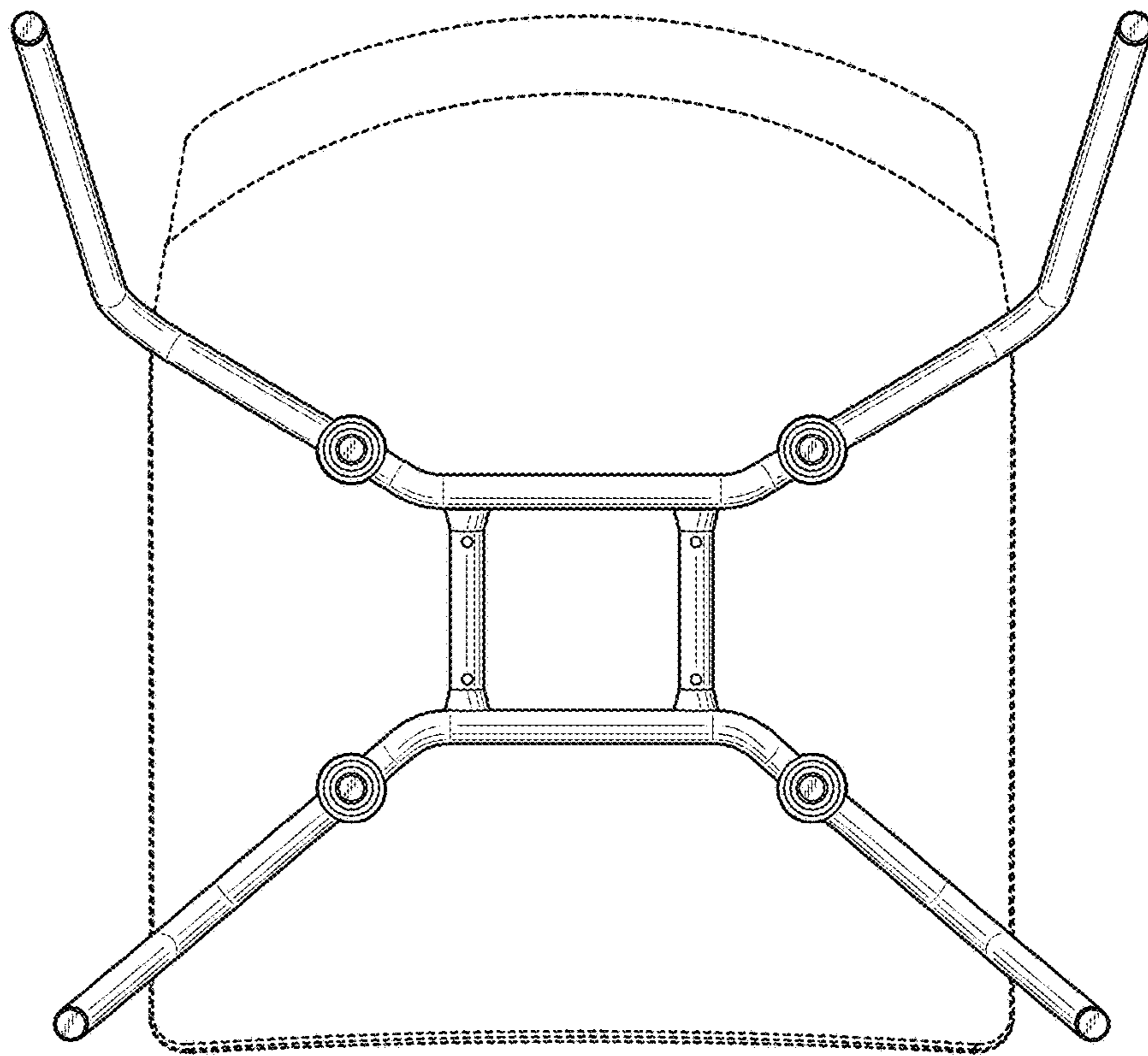


FIG. 8