



US00D811789S

(12) **United States Design Patent**  
**Fletcher**

(10) **Patent No.:** **US D811,789 S**  
(45) **Date of Patent:** **\*\* Mar. 6, 2018**

(54) **STACKABLE CANTILEVER CHAIR FRAME**

6,604,784 B1 \* 8/2003 Bosman ..... A47B 7/02  
297/171  
D503,559 S \* 4/2005 Glass ..... D6/372  
D512,252 S \* 12/2005 Glass ..... D6/348  
D514,343 S \* 2/2006 Pilcher ..... D6/372  
D526,134 S \* 8/2006 Glass ..... D6/348  
D546,087 S \* 7/2007 Rashid ..... D6/375

(71) Applicant: **Virco Manufacturing Corporation**,  
Torrance, CA (US)

(72) Inventor: **Scott Fletcher**, Redondo Beach, CA  
(US)

(73) Assignee: **Virco Manufacturing Corporation**,  
Torrance, CA (US)

(\*\*) Term: **15 Years**

(21) Appl. No.: **29/580,036**

(22) Filed: **Oct. 5, 2016**

(51) **LOC (11) Cl.** ..... **06-01**

(52) **U.S. Cl.**  
USPC ..... **D6/708.16; D6/348**

(58) **Field of Classification Search**  
USPC .... D6/708.16, 334-336, 360, 372, 374, 375,  
D6/376, 379, 380, 716, 716.1, 716.2,  
D6/716.3, 716.4  
CPC .... A47C 4/02; A47C 4/03; A47C 5/06; A47C  
3/12; B60N 2/68  
See application file for complete search history.

(56) **References Cited**

**U.S. PATENT DOCUMENTS**

2,745,468 A \* 5/1956 Kramer ..... A47C 3/021  
297/285  
3,152,836 A \* 10/1964 Swan ..... A47C 4/027  
297/446.1  
D202,549 S \* 10/1965 Kramer ..... 297/452.12  
D235,709 S \* 7/1975 Schier ..... 297/239  
D297,288 S \* 8/1988 Raney ..... D6/361  
D317,097 S \* 5/1991 Vogtherr ..... D6/716  
D344,201 S \* 2/1994 Schwartz ..... D6/373  
D383,913 S \* 9/1997 Ahlstrom ..... D6/348  
5,868,468 A \* 2/1999 Wang ..... A47C 3/04  
297/239  
D429,926 S \* 8/2000 Cao ..... D6/716.4

**OTHER PUBLICATIONS**

virco.com, Zuma series stacking cantilever chair, Feb. 10, 2017,  
<http://virco.com/zuma-series-stacking-cantilever-chair>.\*

(Continued)

*Primary Examiner* — David G Muller  
*Assistant Examiner* — Nathan M Johnston  
(74) *Attorney, Agent, or Firm* — Knobbe Martens Olson  
& Bear, LLP; Robert M. Hupe

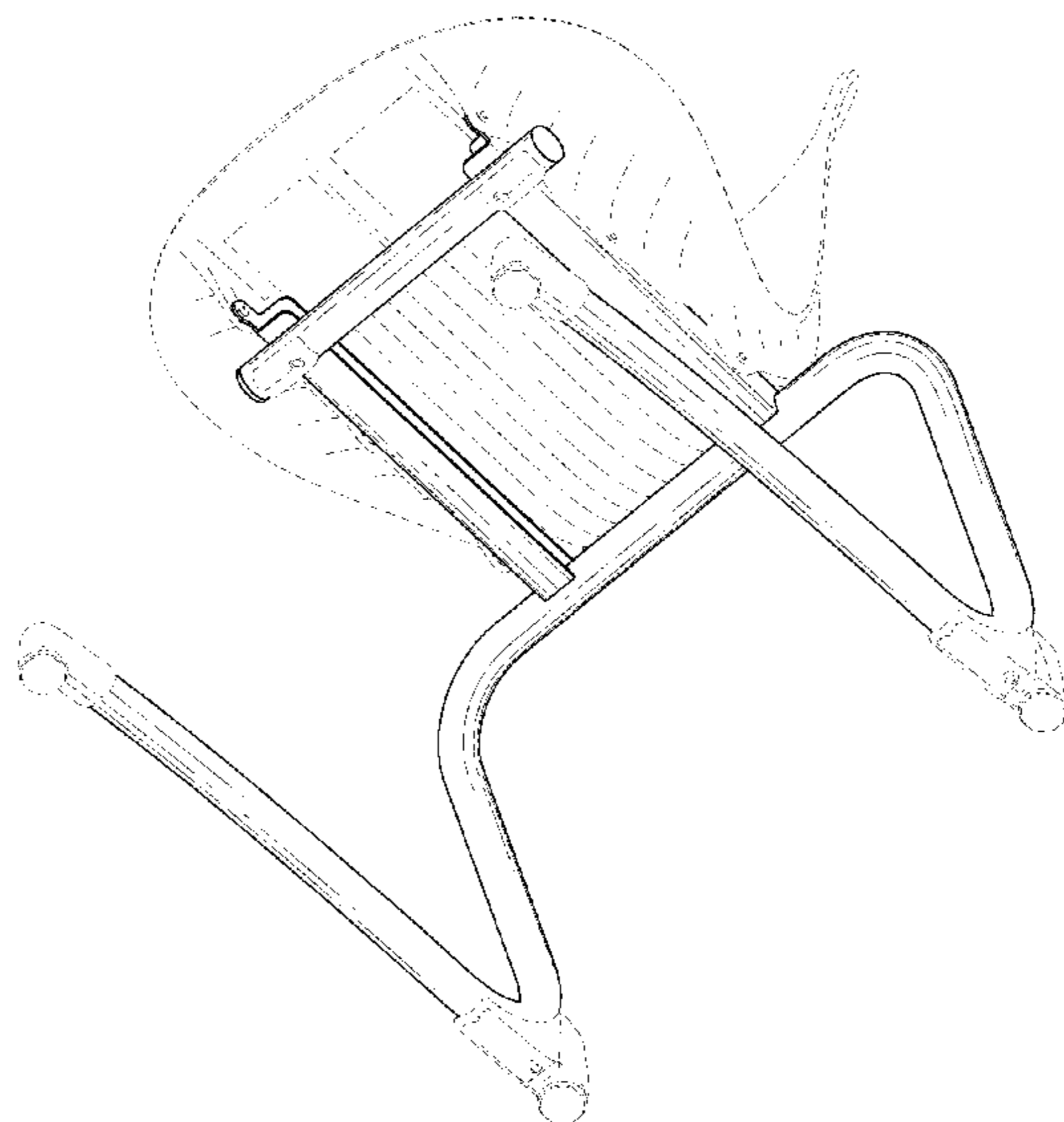
(57) **CLAIM**

The ornamental design for a stackable cantilever chair  
frame, as shown and described.

**DESCRIPTION**

FIG. 1 is a front, top, right side perspective view of the  
stackable cantilever chair frame showing my new design.  
FIG. 2 is a front, bottom, right side perspective view thereof.  
FIG. 3 is a front elevation view thereof.  
FIG. 4 is a rear elevation view thereof.  
FIG. 5 is a left side elevation view thereof.  
FIG. 6 is a right side elevation view thereof.  
FIG. 7 is a top plan view thereof; and,  
FIG. 8 is a bottom plan view thereof.  
The design is directed to a frame that forms a lower portion  
of a stackable cantilever chair. The broken line showing of  
parts of the drawings is included for the purpose of illus-  
trating use and environment and forms no part of the claimed  
design.

**1 Claim, 8 Drawing Sheets**



(56)

**References Cited**

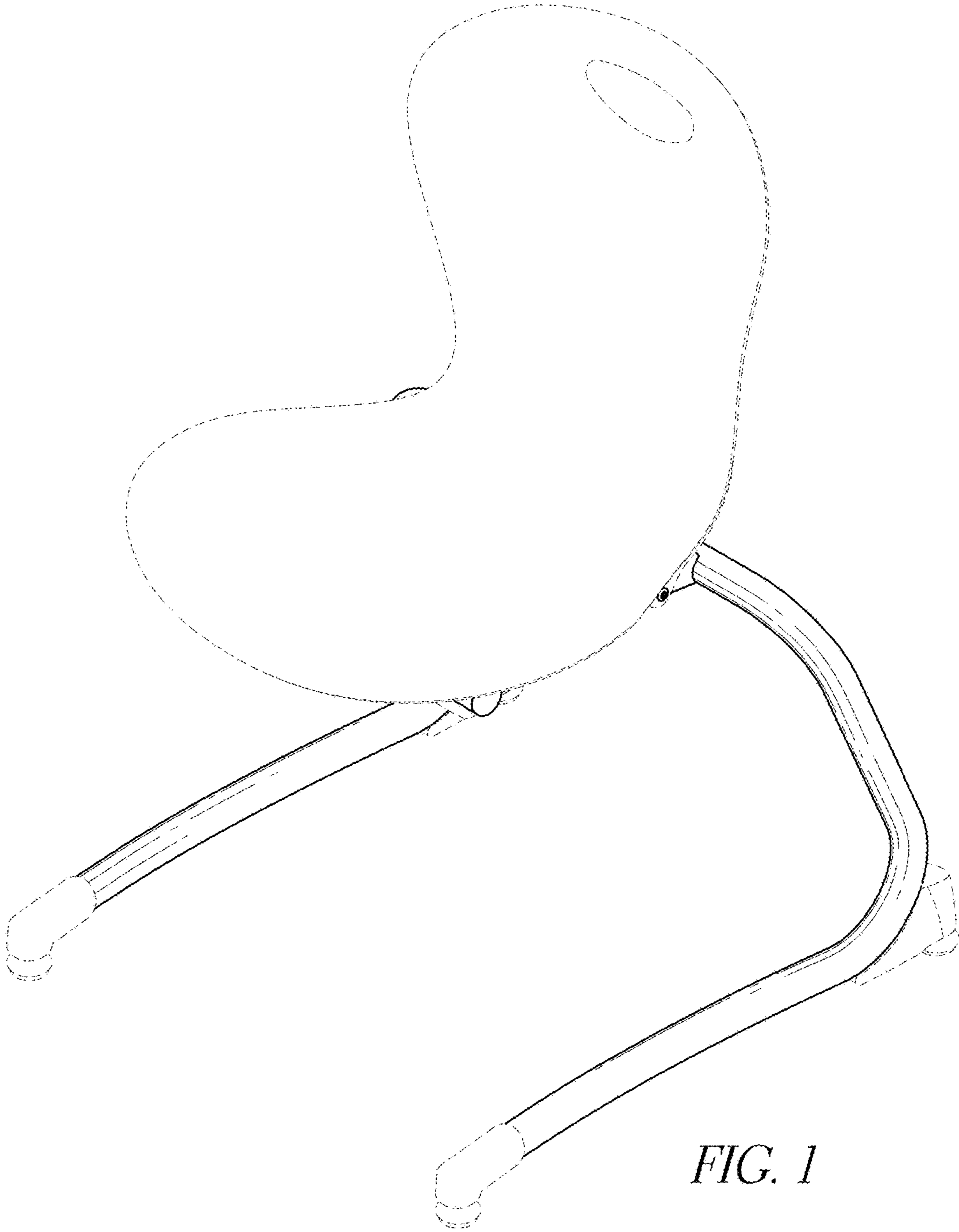
U.S. PATENT DOCUMENTS

D669,279 S \* 10/2012 Eldoy ..... D6/375  
D707,461 S \* 6/2014 Rada ..... D6/375  
D720,953 S \* 1/2015 Regan ..... D6/708.16  
D743,180 S \* 11/2015 Mehaffey ..... D6/375  
2004/0075328 A1\* 4/2004 Petty ..... A47C 3/04  
297/451.1  
2005/0099045 A1\* 5/2005 Socha, Jr. .... A47C 3/04  
297/239  
2005/0275262 A1\* 12/2005 Mills ..... A47C 3/029  
297/271.5  
2008/0100120 A1\* 5/2008 Fletcher ..... A47C 3/12  
297/448.2  
2012/0086258 A1\* 4/2012 Fletcher ..... A47B 91/024  
297/445.1  
2013/0082505 A1\* 4/2013 Schneider ..... A47C 3/023  
297/452.19

OTHER PUBLICATIONS

V/S Furniture, Product Information—“PantoSwing-VF Forward-flexing cantilever chair,” PSwing-VF-Schul\_TY\_EN, Feb. 27, 2014.  
Bretford, “Emoji™ Desking + Seating,” L16SSEMOJ, 2016.  
Mata Reverse Cantilever Chair, Apr. 2013.

\* cited by examiner



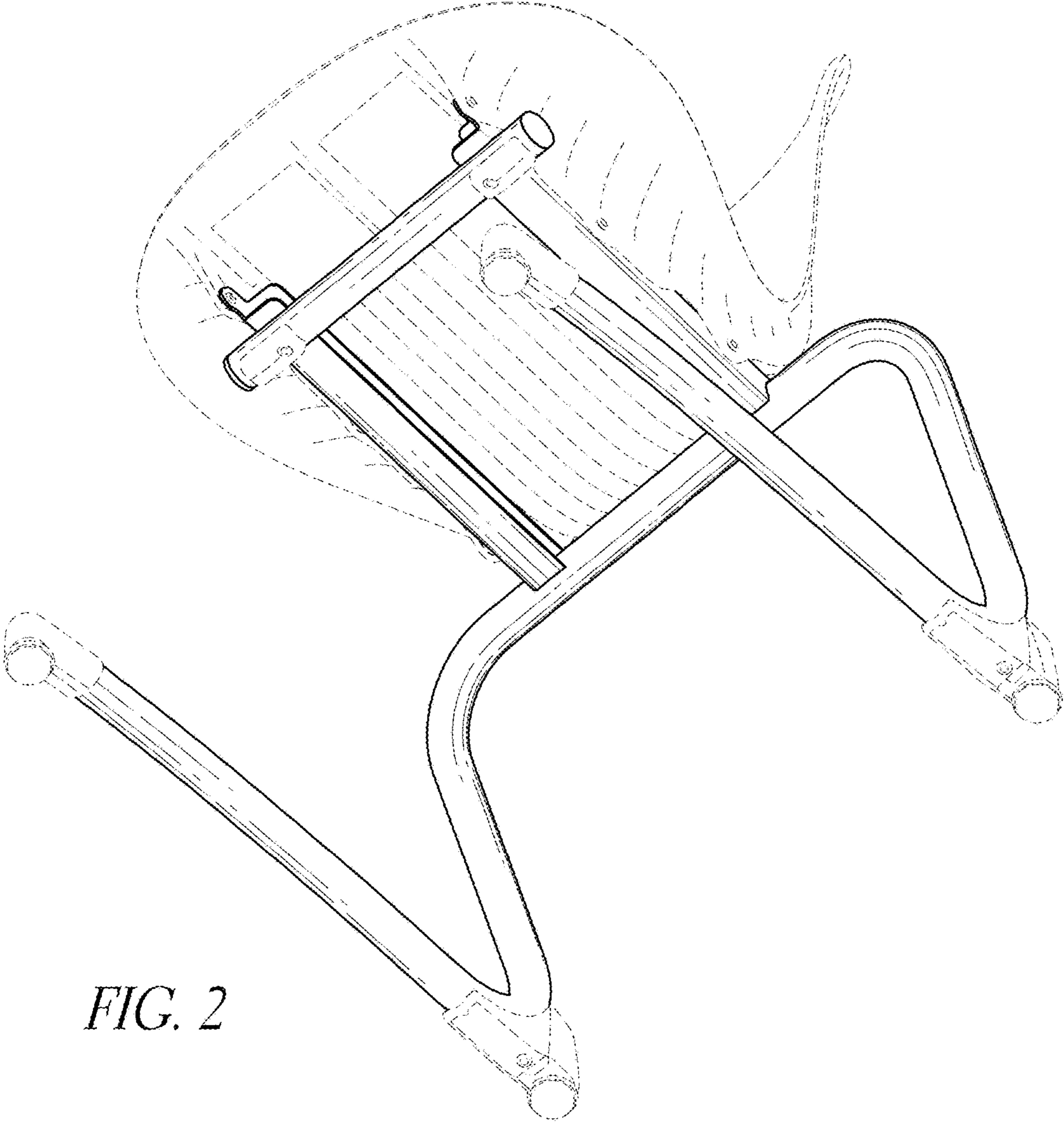
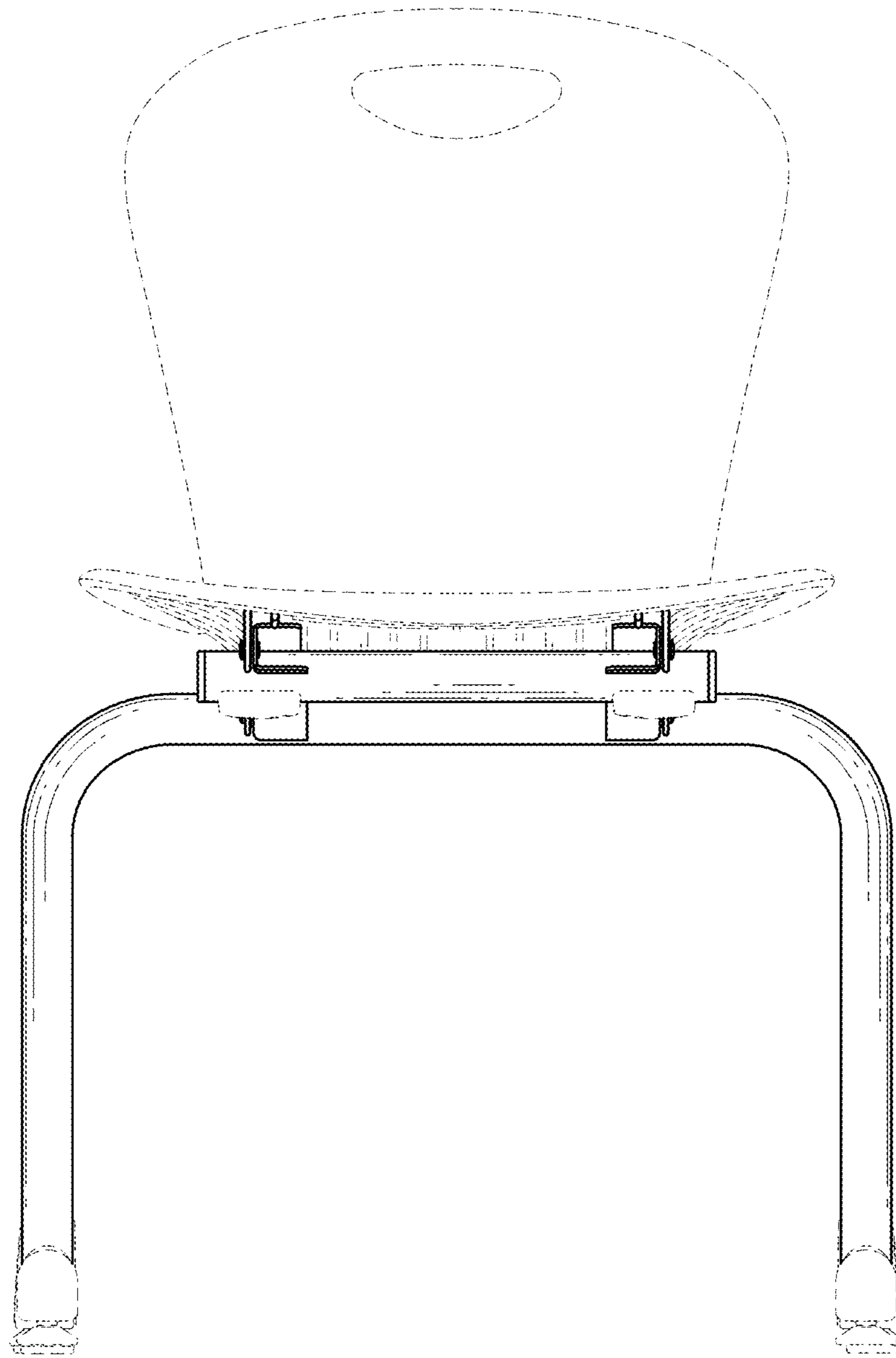
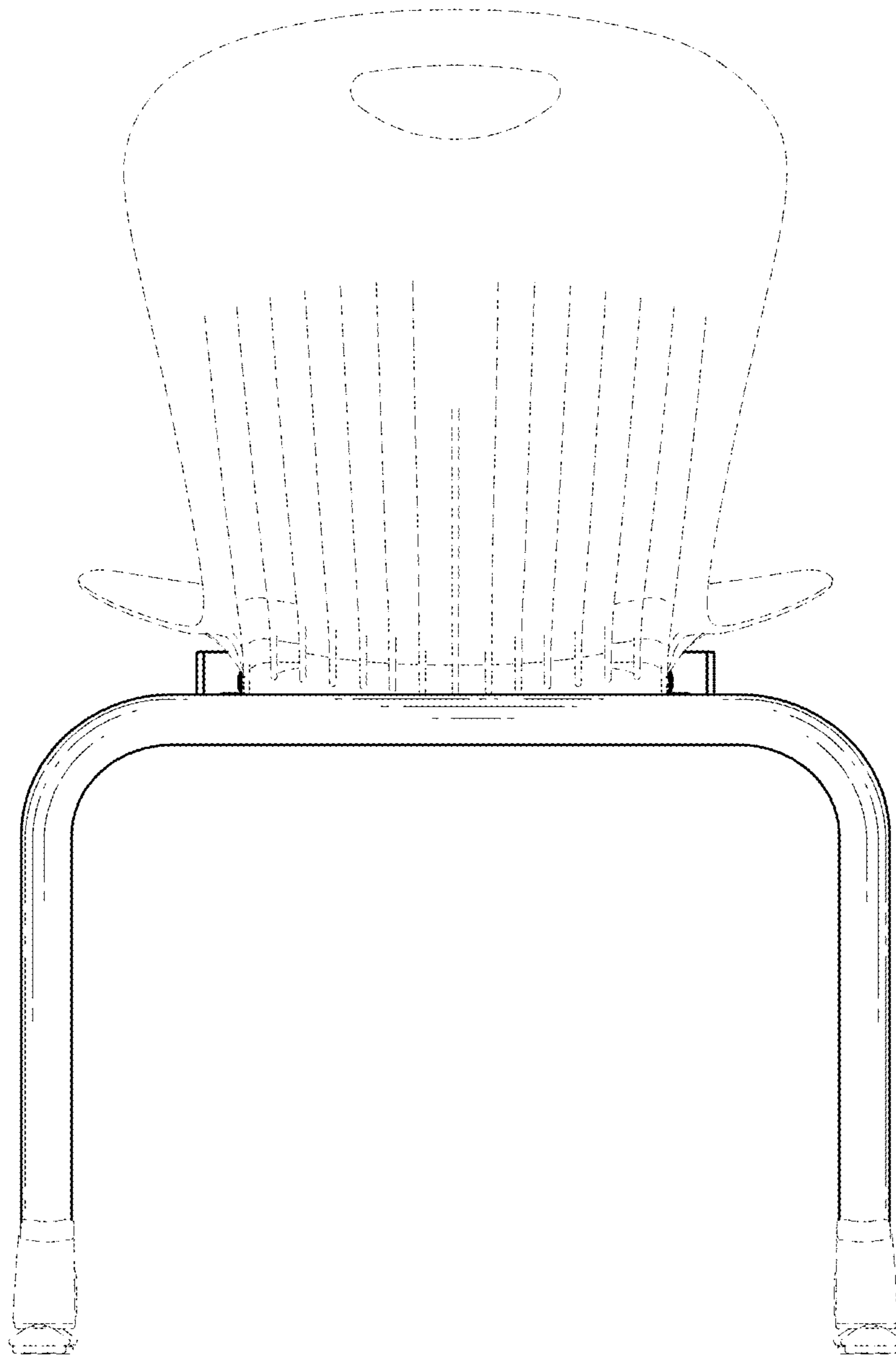


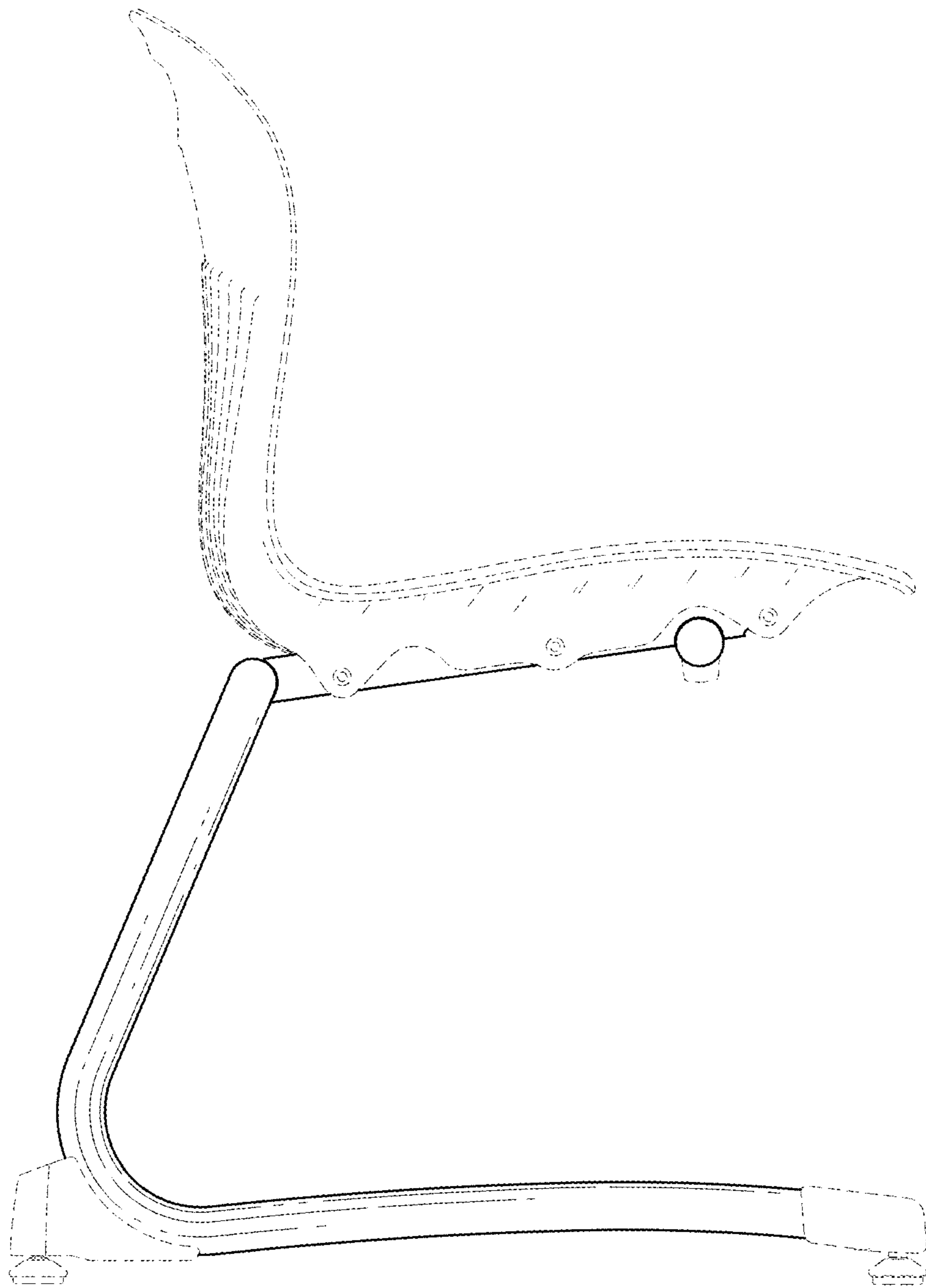
FIG. 2



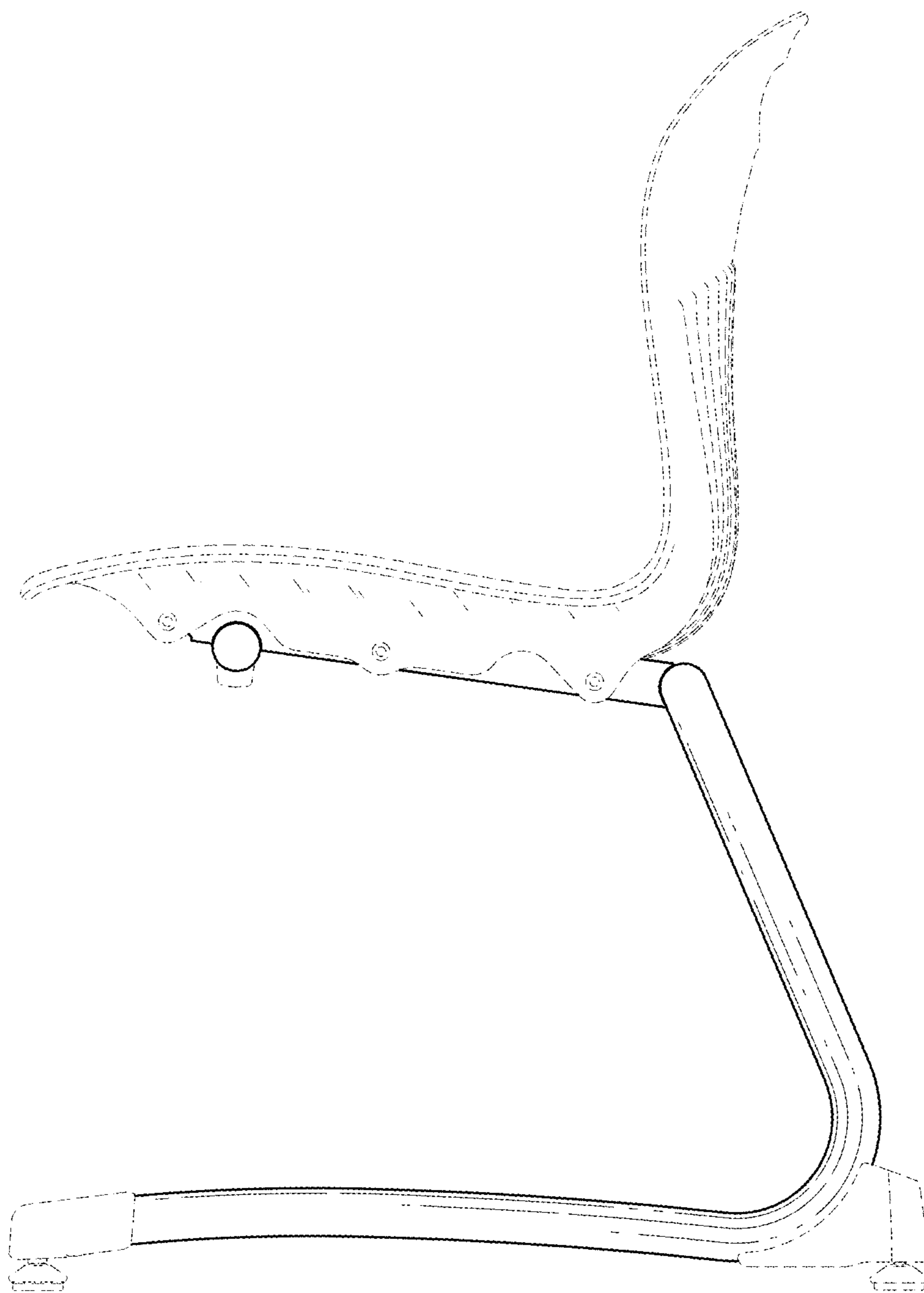
*FIG. 3*



*FIG. 4*

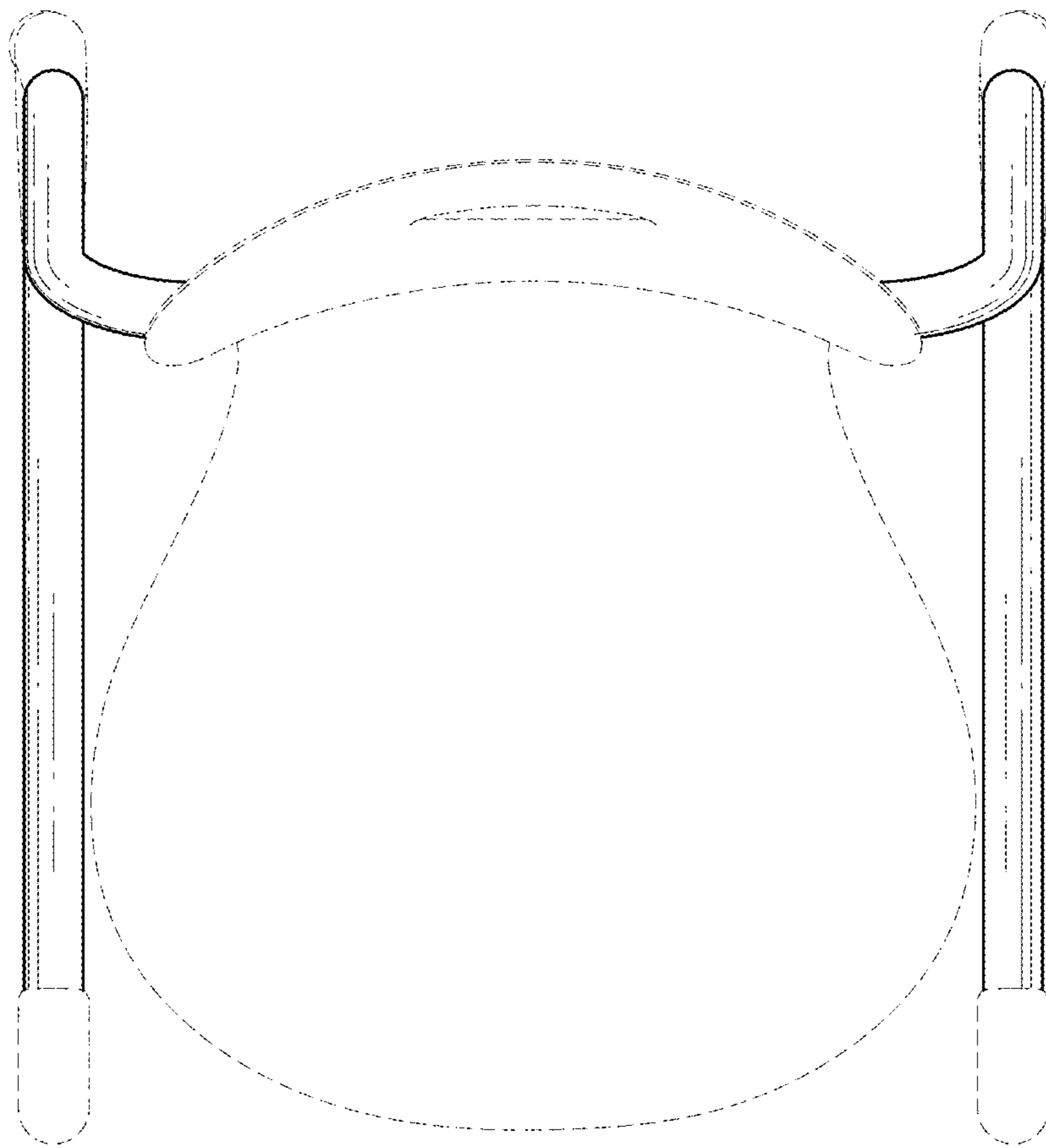


*FIG. 5*

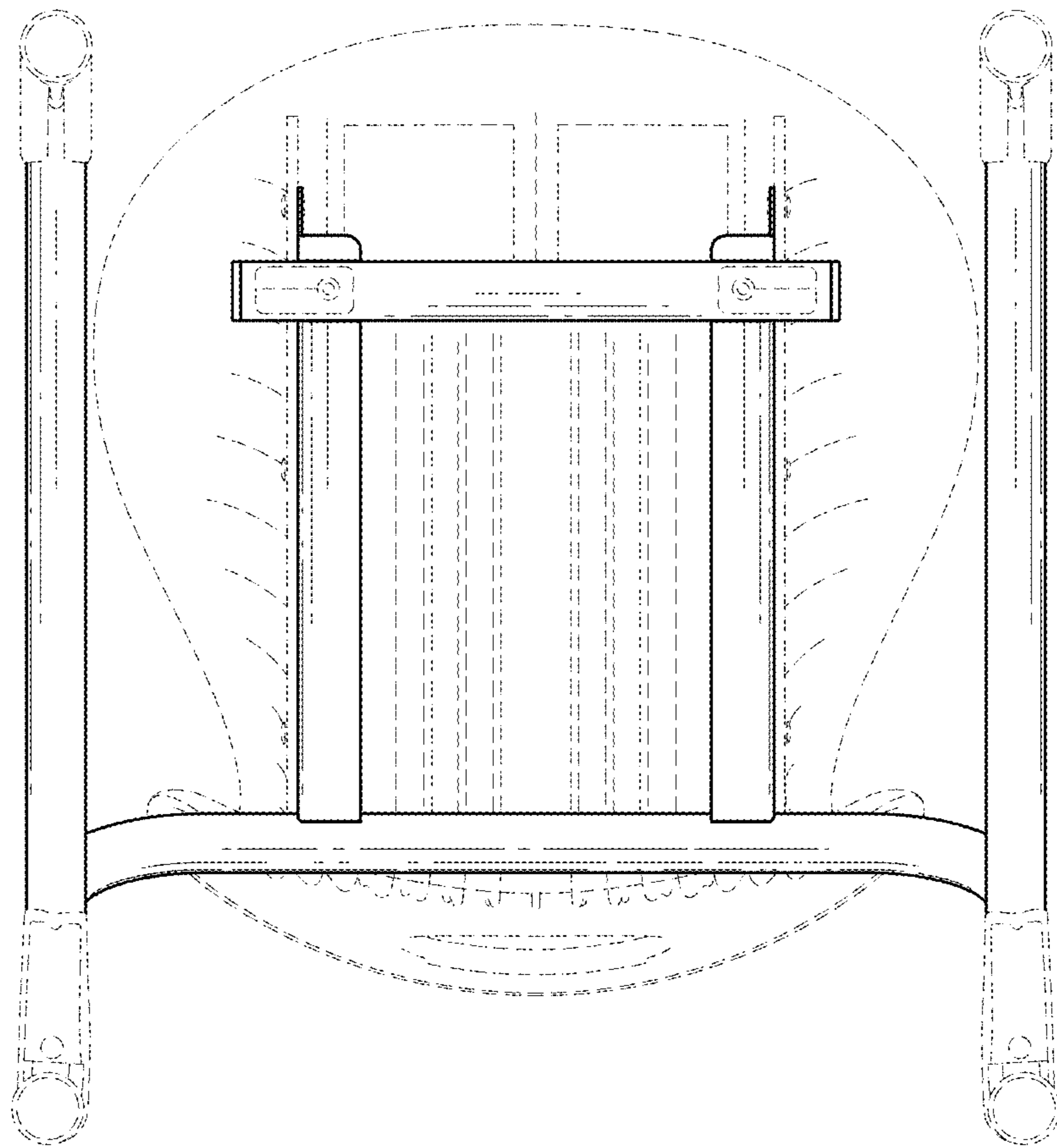


*FIG. 6*





*FIG. 7*



*FIG. 8*