



US00D811788S

(12) **United States Design Patent**
Luczak

(10) **Patent No.:** **US D811,788 S**
(45) **Date of Patent:** **** Mar. 6, 2018**

(54) **DISPLAY TRAY**

(71) Applicant: **Tadeusz Stanislaw Luczak**, Kansas City, MO (US)

(72) Inventor: **Tadeusz Stanislaw Luczak**, Kansas City, MO (US)

(73) Assignee: **Vanguard Packaging, Inc.**, Kansas City, MO (US)

(**) Term: **14 Years**

(21) Appl. No.: **29/492,810**

(22) Filed: **Jun. 3, 2014**

(51) **LOC (11) Cl.** **06-06**

(52) **U.S. Cl.**
USPC **D6/708**

(58) **Field of Classification Search**
USPC D6/334-336, 349, 351, 352, 358, 360, D6/364, 365, 366, 374, 375, 379, 380, D6/657, 662.1, 672, 674, 675, 675.1, D6/675.3, 683, 683.1, 685, 691, 691.5, D6/702, 708, 708.2, 708.21, 708.25, 716, D6/716.1-716.4; D3/304, 307, 309; D7/550.1, 554.3

CPC B65D 5/545; B65D 5/26; B65D 5/0015; B65D 5/0045; B65D 1/34; B65D 21/00; B65D 81/3813; A47B 7/00; A47B 2200/001; A47B 2200/002; A47B 2200/0011-2200/0014; A47B 2200/0021-2200/0023; A47B 2200/0026; A47B 2200/0027; A47B 2200/0039; A47B 13/02; A47B 13/021-13/028; A47B 2009/006; A47B 57/402; A47B 67/00;

(Continued)

(56) **References Cited**

U.S. PATENT DOCUMENTS

D107,076 S * 11/1937 Erickson D6/675.3
2,297,284 A * 9/1942 Blackman B65D 5/545
206/139

(Continued)

OTHER PUBLICATIONS

“InterDesign Refrigerator and Freezer Storage Organizer Bins for Kitchen, 8"×4"×14.5", Clear” Oct. 23, 2010, amazon.com, site visited Jan. 30, 2017 <https://www.amazon.com/InterDesign-Refrigerator-Freezer-Storage-Organizer/dp/B003E1W9G0/ref=cm_cr_arp_d_product_top?ie=UTF8>.*

(Continued)

Primary Examiner — Kevin K Rudzinski

Assistant Examiner — Paul D. Bohannon

(74) *Attorney, Agent, or Firm* — Kutak Rock LLP; Bryan P. Stanley

(57) **CLAIM**

The ornamental design for a display tray, as shown and described.

DESCRIPTION

FIG. 1 is a perspective view of an embodiment of the display tray of the instant inventive concept.

FIG. 2 is a perspective view of the display tray of FIG. 1 with a point of purchase merchandiser display (shown in broken lines) positioned within the tray, the point of purchase merchandiser display forms no part of the claimed design.

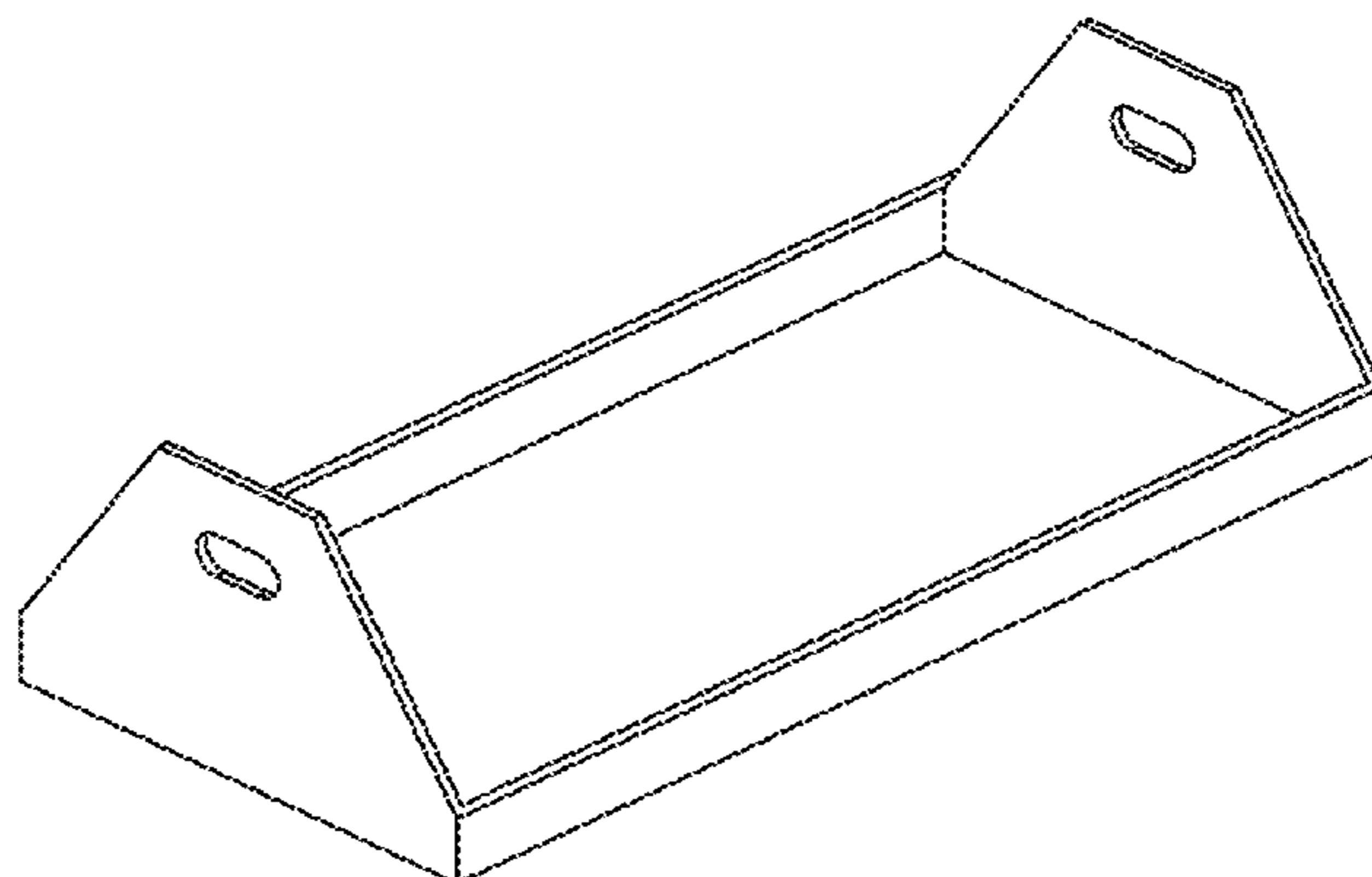
FIG. 3 is a front elevation view of the display tray of FIG. 1, the rear view of the display tray being a mirror image thereof.

FIG. 4 is a right side view of the display tray of FIG. 1, the left side view of the display tray being a mirror image thereof.

FIG. 5 is top view of the display tray of FIG. 1; and, FIG. 6 is bottom view of the display tray of FIG. 1.

The broken line showing of a point of purchase merchandiser display is for the purpose of illustrating environment structure and forms no part of the claimed design.

1 Claim, 2 Drawing Sheets



(58) **Field of Classification Search**

CPC A47B 87/0207; A47B 43/00; A47B 63/00;
 A47B 96/00; A47B 96/02; A47F 1/00;
 A47F 3/00; A47F 3/06; A47F 3/14; A47F
 7/00; A47D 7/00; A47C 9/002; A47C
 9/007; A47C 7/00; A47C 7/002; A47C
 7/004; A47C 7/006; A47C 7/18; A47C
 7/022; A47C 7/24; A47C 7/50; A47C
 4/02; A47C 4/028; A47C 4/54; A47C
 3/00; A47C 3/18; A47C 3/026; A47C
 1/04; A47C 1/03255; A47C 1/0255

See application file for complete search history.

(56) **References Cited**

U.S. PATENT DOCUMENTS

2,544,283 A * 3/1951 Snyder B65D 5/26
 229/117.16
 D171,324 S * 1/1954 De Puy D19/92
 D264,514 S * 5/1982 Kordan D3/310
 D505,788 S * 6/2005 Sorrenti D3/304
 8,006,843 B1 * 8/2011 McFarland B65D 1/34
 206/503
 8,079,474 B1 * 12/2011 Flaming B65D 5/0015
 206/501
 D657,562 S * 4/2012 McNamara D3/304
 D715,641 S * 10/2014 Spinos D9/432
 D740,564 S * 10/2015 Scott D3/304
 D767,340 S * 9/2016 Lau D7/554.3
 D767,341 S * 9/2016 Koempel D7/554.3
 D767,940 S * 10/2016 Gross D7/554.3

D770,232 S * 11/2016 Brown D7/554.3
 D774,831 S * 12/2016 Gebhardt D7/554.3
 D775,466 S * 1/2017 Wang D3/304
 D775,828 S * 1/2017 Wang D3/304
 D775,900 S * 1/2017 Dornic D7/554.3
 2004/0256280 A1 * 12/2004 Meissen B65D 11/10
 206/557
 2006/0226746 A1 * 10/2006 Kopenhaver A47B 67/00
 312/330.1
 2008/0054061 A1 * 3/2008 Bostian B65D 5/0045
 229/185.1
 2010/0126952 A1 * 5/2010 Huang A47B 43/00
 211/134
 2013/0330519 A1 * 12/2013 Puma B32B 37/0076
 428/167
 2014/0278178 A1 * 9/2014 Feig A47G 1/06
 702/81
 2015/0151456 A1 * 6/2015 Crawley B28B 13/029
 264/71
 2015/0265101 A1 * 9/2015 Lemon A47J 36/36
 220/592.24
 2015/0308886 A1 * 10/2015 Shinozaki G01G 21/286
 177/180

OTHER PUBLICATIONS

Baltic Birch Rectangle Serving Tray, 12"x10"x2.88" Jan. 8, 2014,
 walmart.com, site visited Jan. 31, 2017 <[https://www.walmart.com/
 ip/Baltic-Birch-Rectangle-Serving-Tray-12-x10-x2.88/
 24419112](https://www.walmart.com/ip/Baltic-Birch-Rectangle-Serving-Tray-12-x10-x2.88/24419112)>.*

* cited by examiner

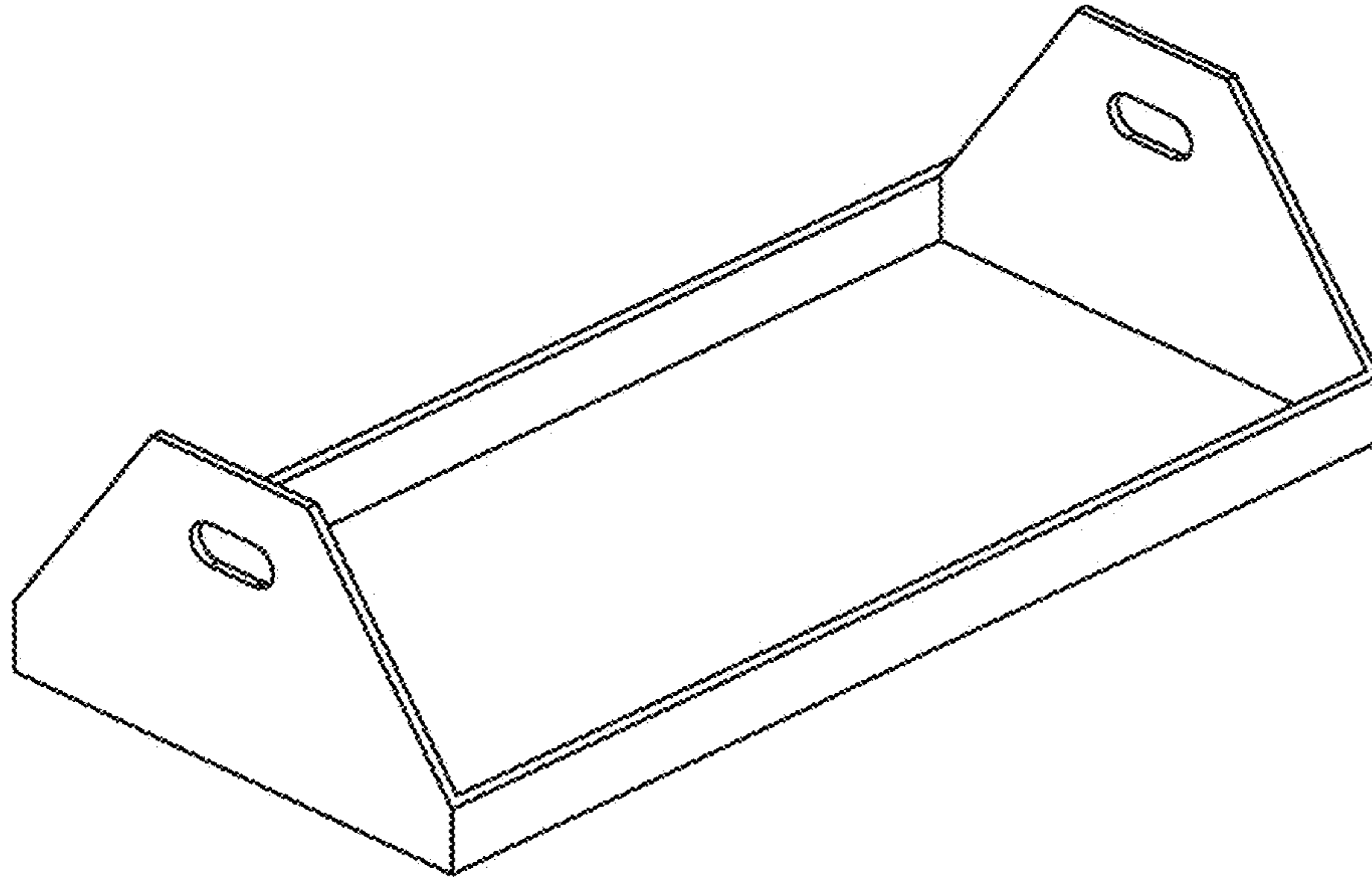


FIG. 1

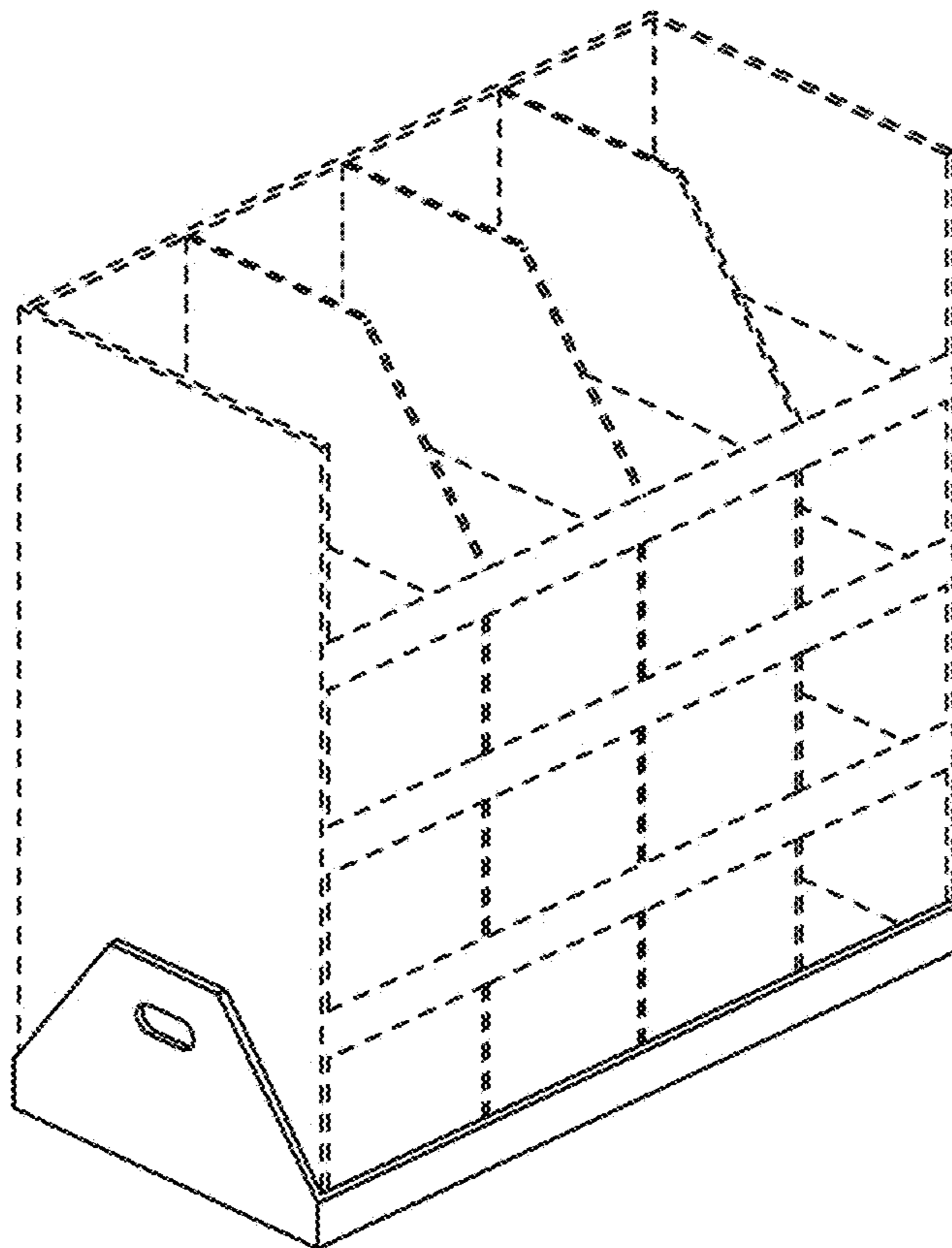


FIG. 2



Fig. 5

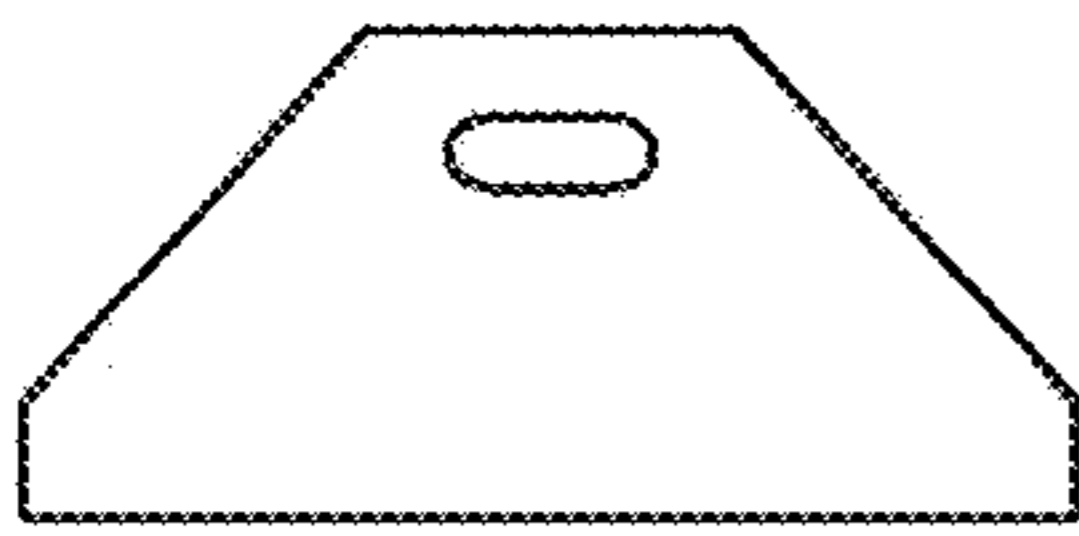


Fig. 4



Fig. 3



Fig. 6