



US00D811787S

(12) **United States Design Patent**
Olofsson et al.

(10) **Patent No.:** **US D811,787 S**
(45) **Date of Patent:** **** Mar. 6, 2018**

- (54) **TABLE**
- (71) Applicant: **Vestre AS**, Oslo (NO)
- (72) Inventors: **Michael Olofsson**, Oslo (NO); **Tore Borgersen**, Oslo (NO); **Espen Voll**, Oslo (NO)
- (73) Assignee: **Vestre AS** (NO)
- (**) Term: **15 Years**
- (21) Appl. No.: **29/592,982**
- (22) Filed: **Feb. 3, 2017**
- (51) **LOC (11) Cl.** **06-03**
- (52) **U.S. Cl.**
USPC **D6/697.1**
- (58) **Field of Classification Search**
USPC D6/338, 641, 656, 656.1, 656.13, 656.15, D6/656.18, 685, 686, 687, 691.1, 691.6, D6/692.1, 693, 696, 696.1, 696.3, 696.4, D6/697, 697.1, 697.2, 704, 705.1, 707, D6/707.21, 707.22, 707.23, 708.24
CPC A47B 3/00; A47B 7/00; A47B 7/02; A47B 13/00; A47B 13/08; A47B 21/00; A47B 21/02; A47B 41/00; A47B 41/02; A47B 2200/0001; A47B 2200/0003; A47B 2200/0035
See application file for complete search history.

- 4,974,525 A * 12/1990 Sheffield A47B 3/02 108/118
- 5,069,142 A * 12/1991 Matre A47B 3/02 108/115
- D440,070 S * 4/2001 Goodworth D6/692.1
- D441,554 S * 5/2001 Holm D6/349
- D507,710 S * 7/2005 Fletcher D6/656.13
- D511,637 S * 11/2005 Strong D6/708.16
- D668,890 S * 10/2012 Andersen D6/691.6
- D775,877 S * 1/2017 Lin D6/691
- 9,609,943 B1 * 4/2017 Lin A47B 3/02

* cited by examiner

Primary Examiner — Mary Ann Calabrese
Assistant Examiner — Catherine Ho
(74) *Attorney, Agent, or Firm* — Kolisch Hartwell, P.C.

(57) **CLAIM**

The ornamental design for a table, as shown and described.

DESCRIPTION

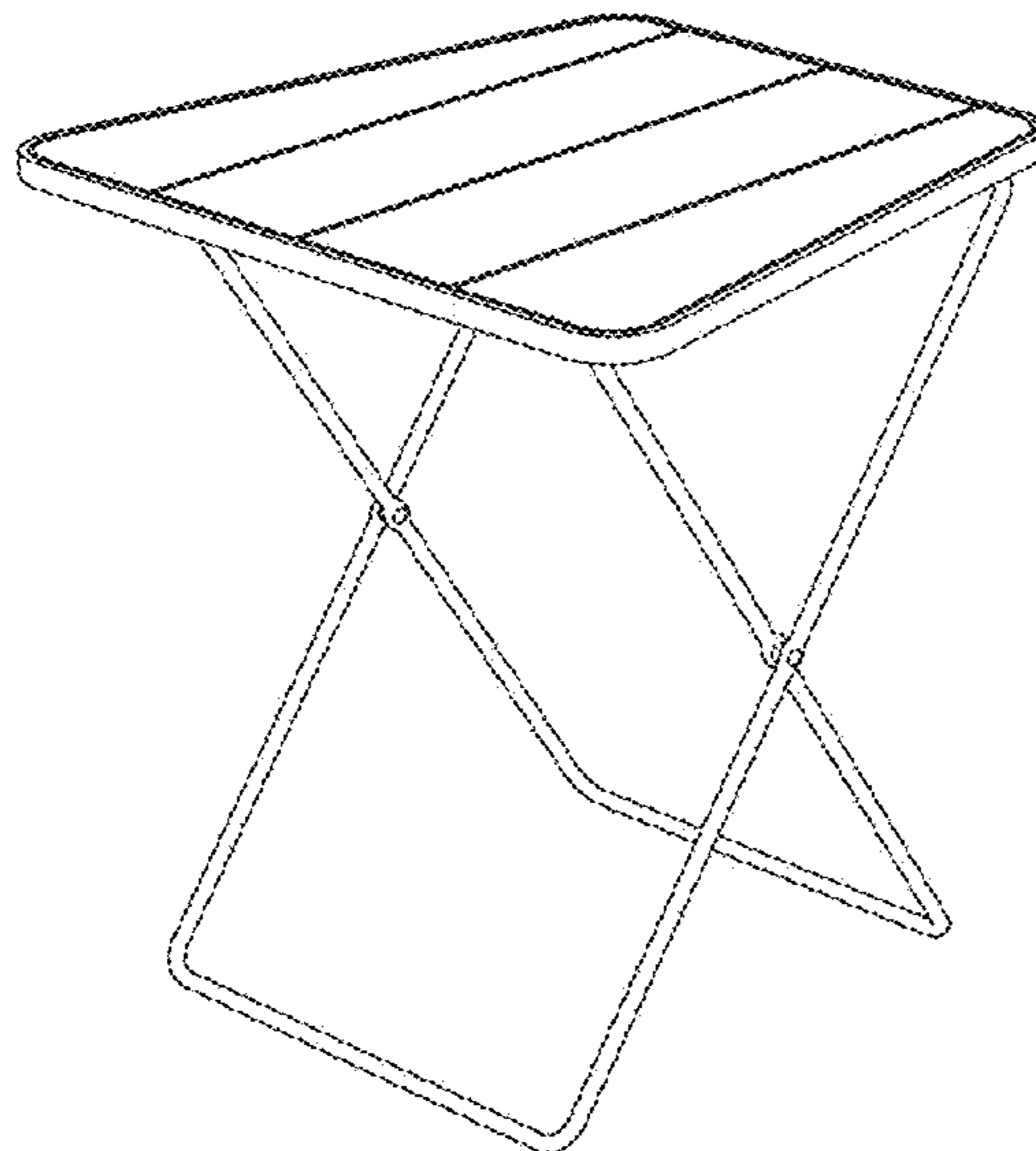
FIG. 1 is an upper, front, and left side perspective view of a table showing my new design;
FIG. 2 is an upper, rear, and left side perspective view thereof;
FIG. 3 is an upper and left side perspective view thereof;
FIG. 4 is a front elevational view thereof;
FIG. 5 is a top plan view thereof;
FIG. 6 is a bottom plan view thereof; and,
FIG. 7 is a left side elevational view, the right side elevational view being a mirror image thereof.
The dashed lines shown in the drawings are included for purposes of illustrating environmental structure. The dashed lines and structure they depict form no part of the claimed design.

1 Claim, 7 Drawing Sheets

(56) **References Cited**

U.S. PATENT DOCUMENTS

- 2,288,737 A * 7/1942 Page A47B 3/02 108/120
- 3,157,136 A * 11/1964 Moody A47B 3/12 108/118



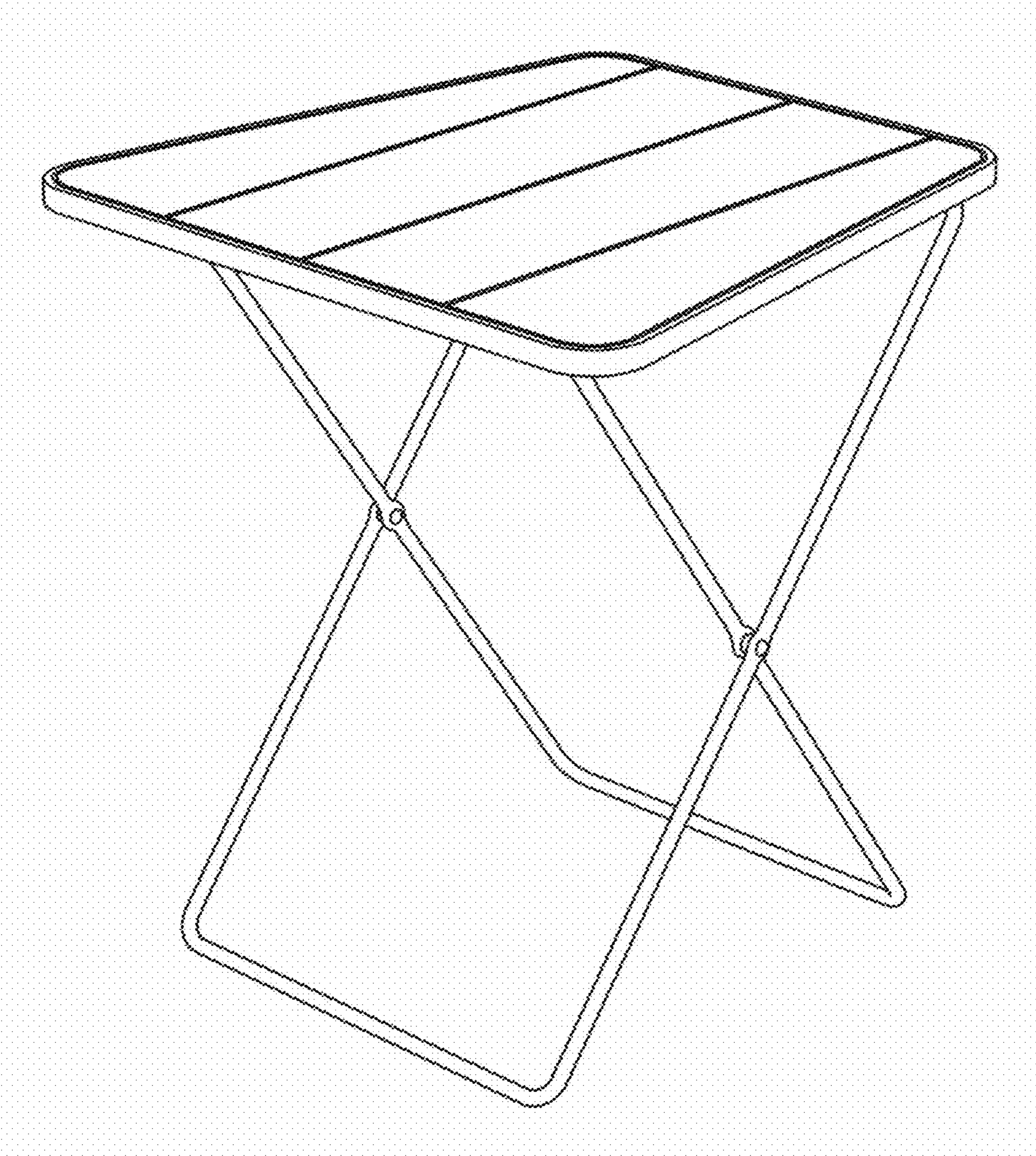


Fig. 1

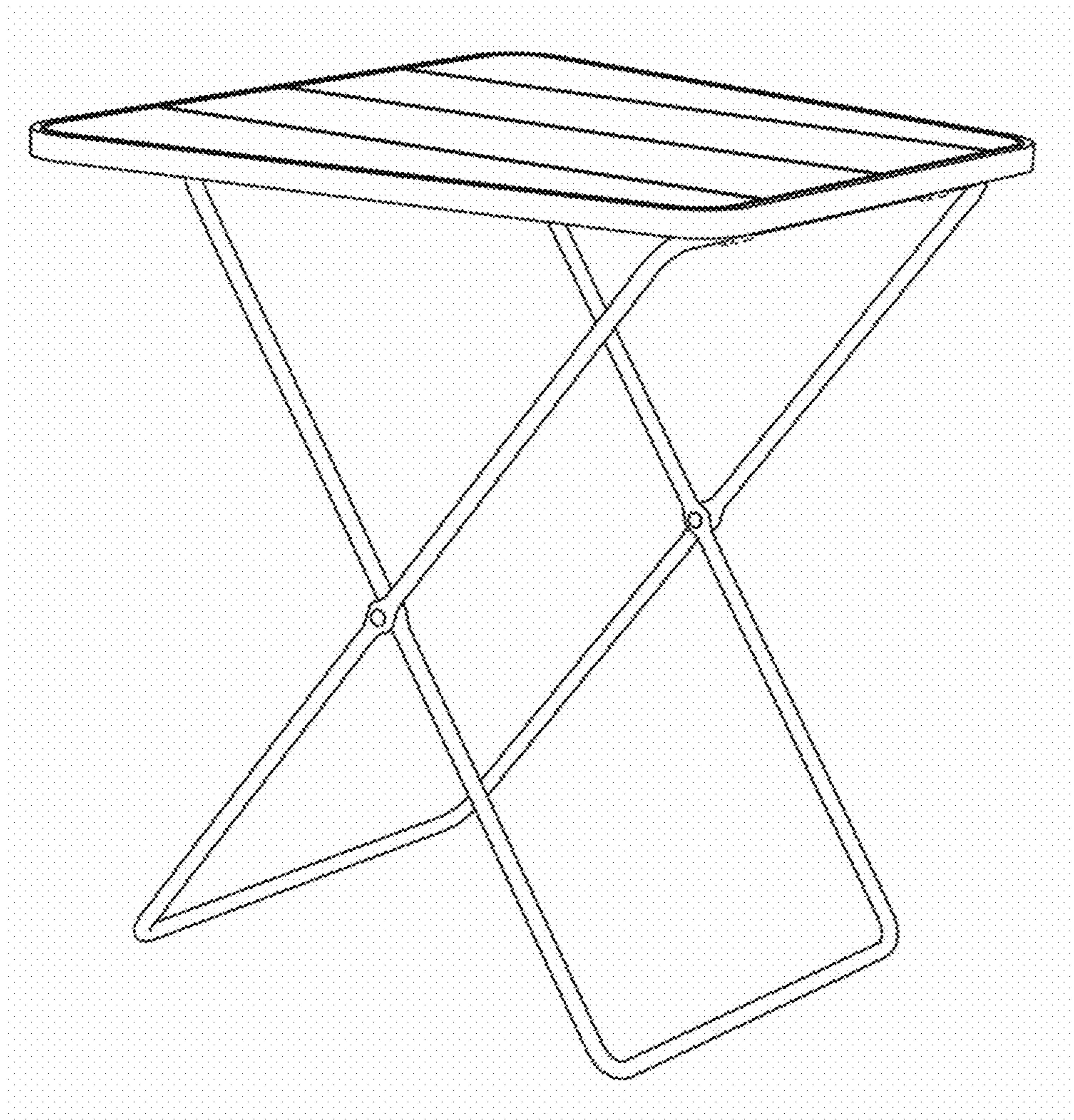


Fig. 2

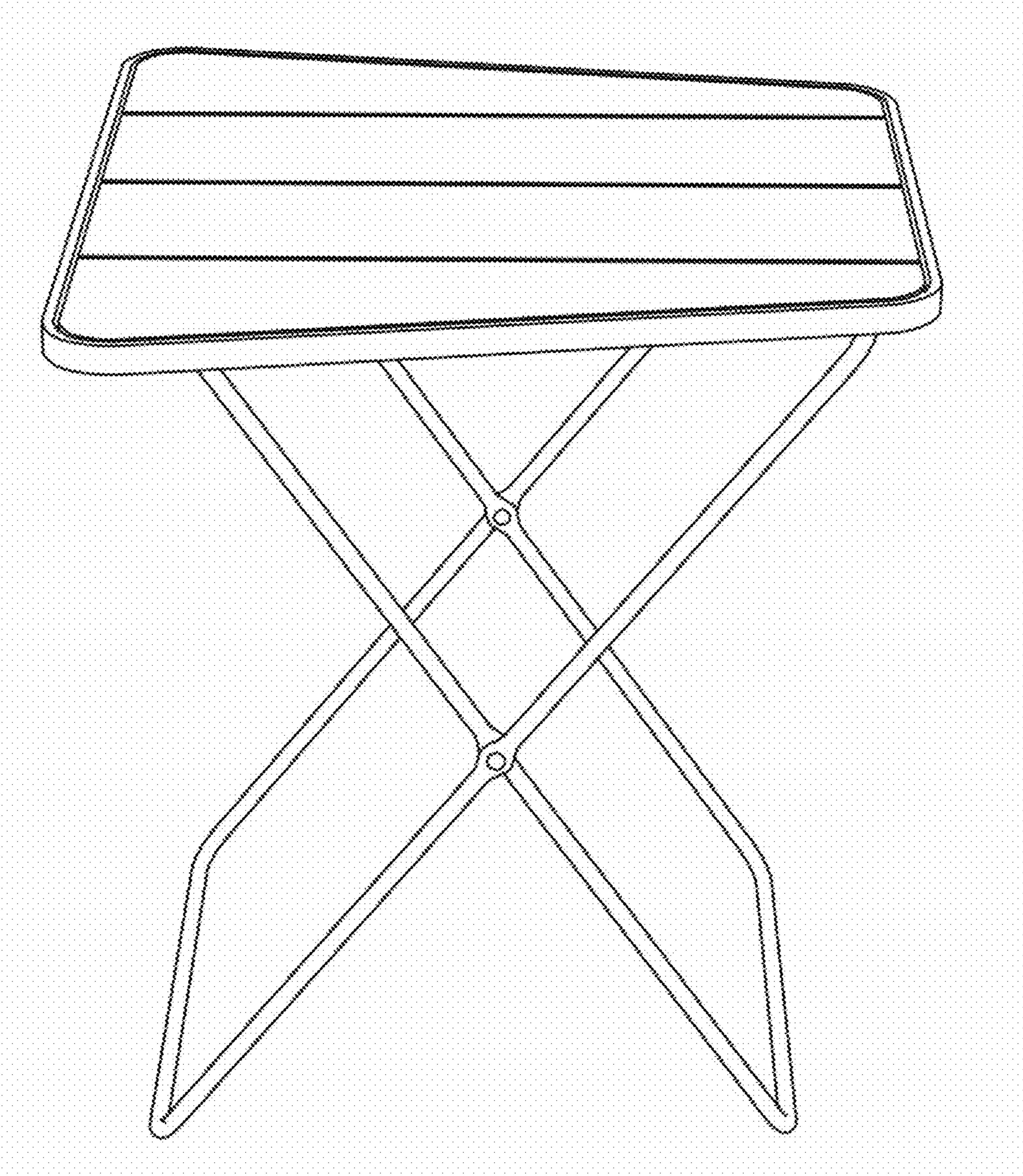


Fig. 3

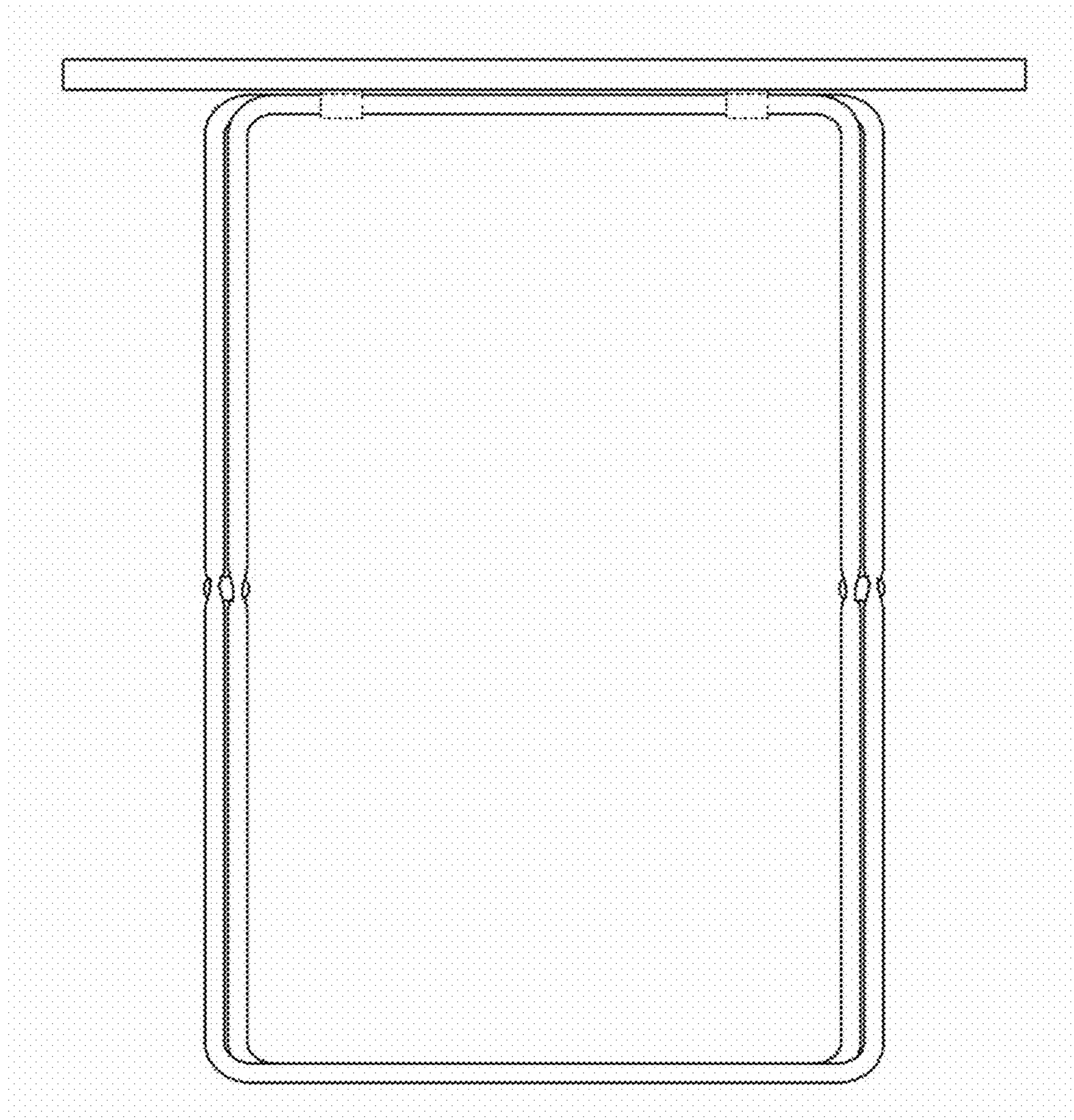


Fig. 4

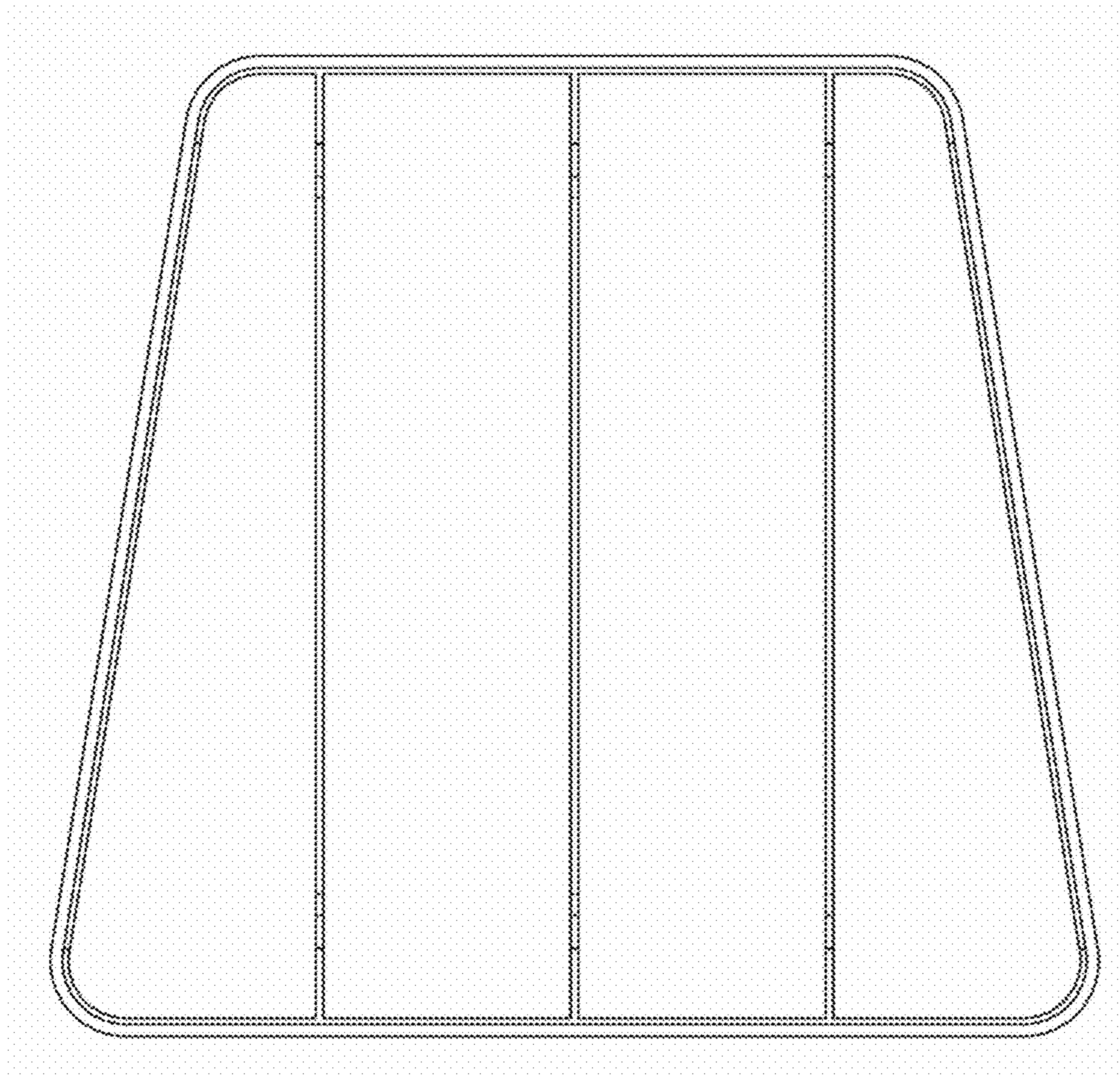


Fig. 5

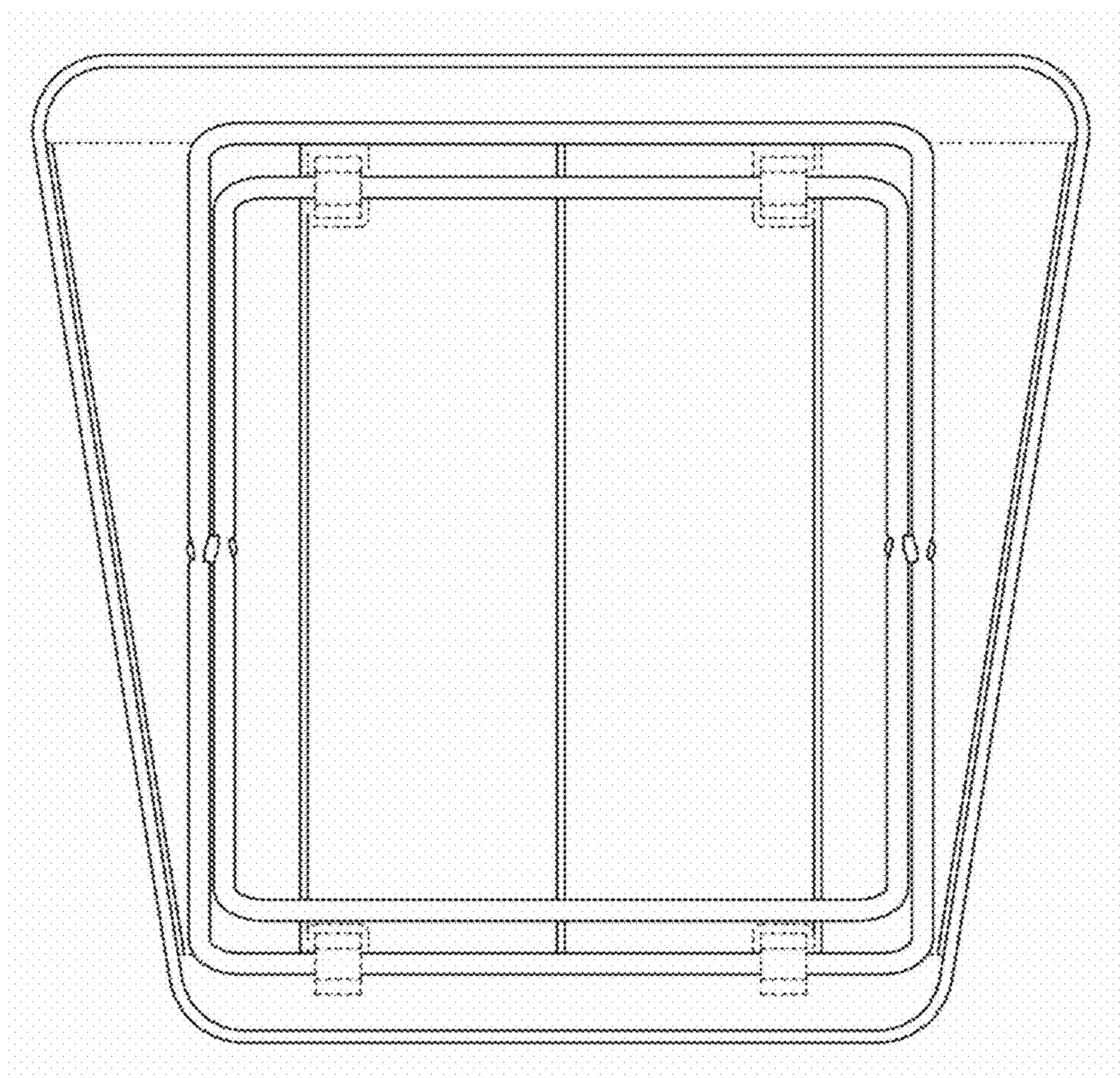


Fig. 6

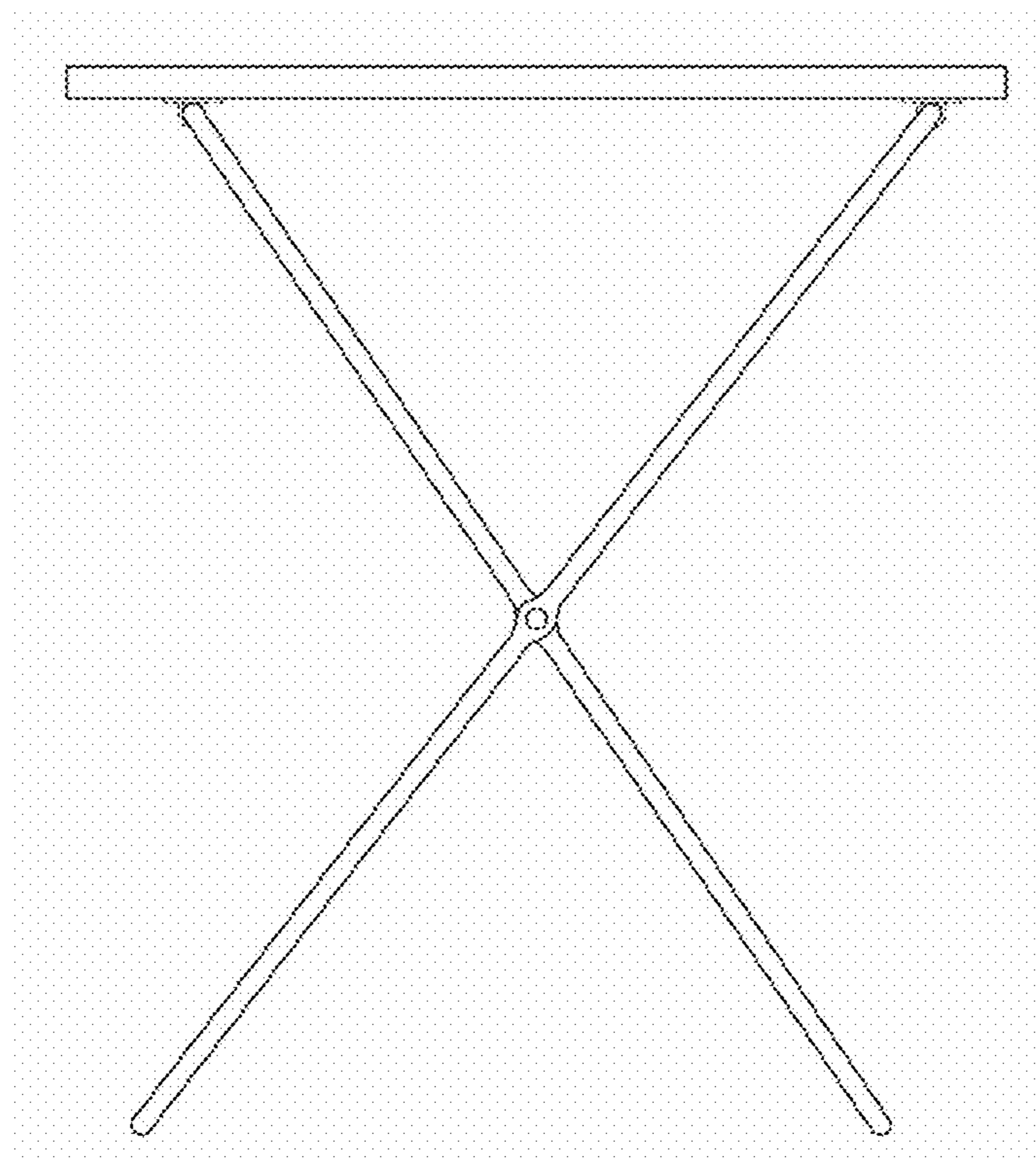


Fig. 7