



US00D811784S

(12) **United States Design Patent**  
**Sartain**

(10) **Patent No.:** **US D811,784 S**  
(45) **Date of Patent:** **\*\* Mar. 6, 2018**

- (54) **STACKABLE WORKBENCH**
- (71) Applicant: **Dennis Sartain**, San Angelo, TX (US)
- (72) Inventor: **Dennis Sartain**, San Angelo, TX (US)
- (\*\*) Term: **15 Years**
- (21) Appl. No.: **29/539,895**
- (22) Filed: **Sep. 18, 2015**
- (51) **LOC (11) Cl.** ..... **06-03**
- (52) **U.S. Cl.**  
USPC ..... **D6/684**
- (58) **Field of Classification Search**  
USPC ..... D6/349, 641, 656, 656.1, 684, 691.3,  
D6/687; D25/65, 67  
CPC ... A47B 7/02; B25H 1/02; B25H 1/04; B25H  
1/00  
See application file for complete search history.

(56) **References Cited**

U.S. PATENT DOCUMENTS

|               |         |                      |                      |
|---------------|---------|----------------------|----------------------|
| D221,072 S *  | 7/1971  | Arenhold et al. .... | D6/349               |
| D317,537 S *  | 6/1991  | Pino .....           | D6/349               |
| D328,355 S *  | 7/1992  | Librach .....        | D25/67               |
| D335,966 S *  | 6/1993  | Schwartzkopf .....   | D6/349               |
| D337,211 S *  | 7/1993  | Bergkvist .....      | D6/349               |
| D345,472 S *  | 3/1994  | Sheftel .....        | D6/349               |
| D346,704 S *  | 5/1994  | Grosfillex .....     | D6/349               |
| D355,315 S *  | 2/1995  | Walters .....        | D6/691.3             |
| D367,976 S *  | 3/1996  | VanSkiver .....      | D6/349               |
| D372,819 S *  | 8/1996  | Maple .....          | D6/349               |
| D375,171 S *  | 10/1996 | Moffitt .....        | D25/67               |
| 5,641,034 A * | 6/1997  | Calmeise .....       | A47C 12/00<br>182/17 |
| D384,514 S *  | 10/1997 | Pestone .....        | D6/684               |
| D407,569 S *  | 4/1999  | Underbrink .....     | D6/349               |
| D408,555 S *  | 4/1999  | Albrecht .....       | D25/65               |
| D432,810 S *  | 10/2000 | Eckhoff .....        | D6/684               |
| D436,763 S *  | 1/2001  | Balolia .....        | D6/349               |

|                |         |                   |                        |
|----------------|---------|-------------------|------------------------|
| D461,330 S *   | 8/2002  | Wang .....        | D6/349                 |
| 6,435,305 B1 * | 8/2002  | Ward .....        | A47C 3/04<br>182/178.1 |
| D493,236 S *   | 7/2004  | Frey .....        | D25/67                 |
| D553,370 S *   | 10/2007 | Meyers .....      | D6/350                 |
| D566,856 S *   | 4/2008  | Eveleth .....     | A47B 3/08<br>D25/65    |
| D567,395 S *   | 4/2008  | Bishop .....      | D25/65                 |
| D586,572 S *   | 2/2009  | Collette .....    | D6/349                 |
| D586,923 S *   | 2/2009  | Eveleth .....     | D25/65                 |
| D589,283 S *   | 3/2009  | Stangdell .....   | D6/690                 |
| D600,928 S *   | 9/2009  | Rake .....        | D6/353                 |
| D600,929 S *   | 9/2009  | Kemnitzer .....   | D6/353                 |
| D609,927 S *   | 2/2010  | Floer .....       | D6/350                 |
| D631,560 S *   | 1/2011  | Merritt, Sr. .... | D25/67                 |

(Continued)

*Primary Examiner* — John Windmuller  
*Assistant Examiner* — Steven J Czyz  
(74) *Attorney, Agent, or Firm* — Williams Intellectual  
Property; Benjamin F. Williams

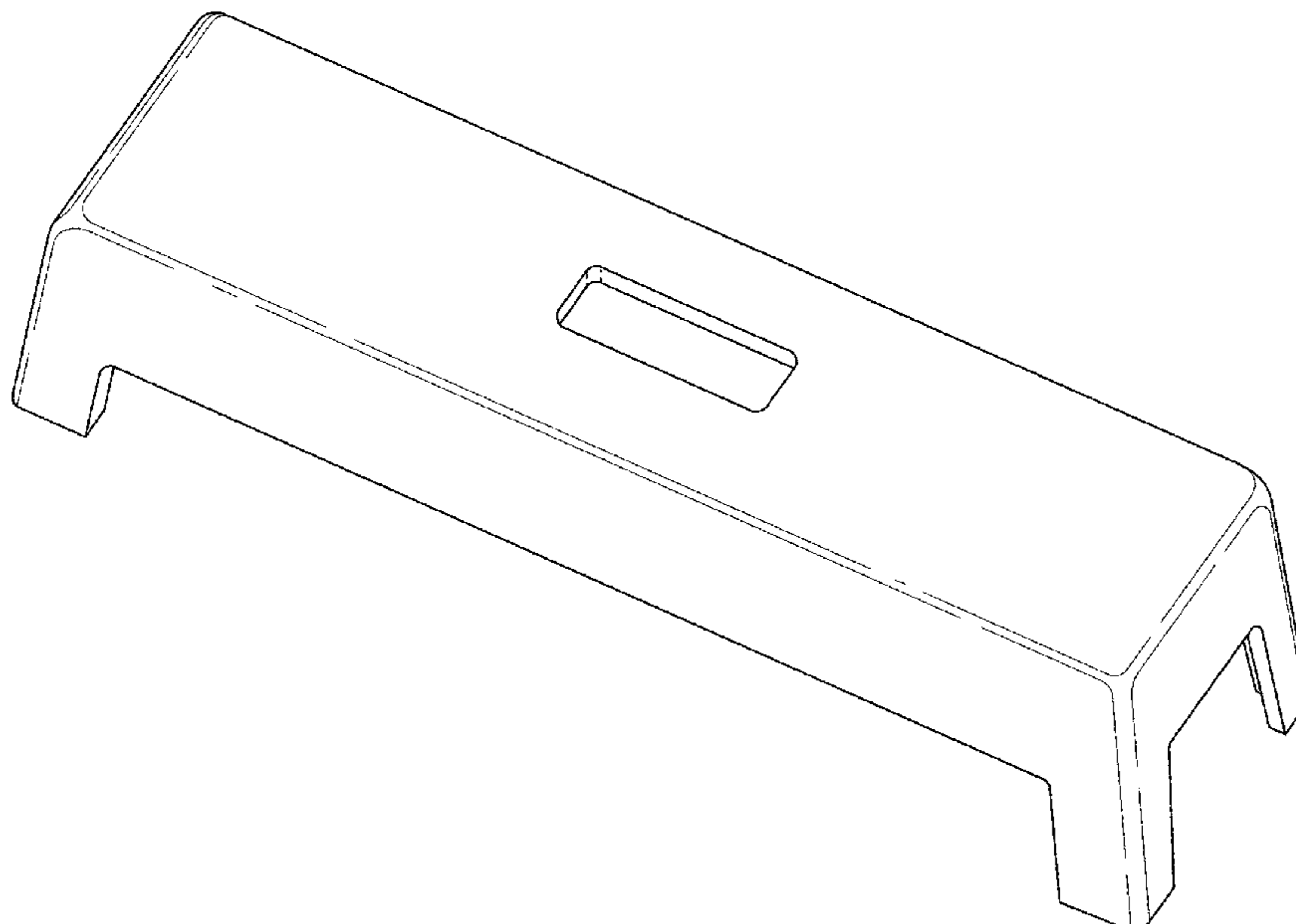
(57) **CLAIM**

The ornamental design for a stackable workbench, as shown and described.

**DESCRIPTION**

FIG. 1 is an top perspective view of a stackable workbench; FIG. 2 is a left side elevation view of a stackable workbench; FIG. 3 is a right side elevation view of a stackable workbench; FIG. 4 is a front side elevation view of a stackable workbench; FIG. 5 is a rear side elevation view of a stackable workbench; FIG. 6 is a top side elevation view of a stackable workbench; and, FIG. 7 is a bottom side elevation view of a stackable workbench.

**1 Claim, 6 Drawing Sheets**



(56)

**References Cited**

U.S. PATENT DOCUMENTS

|              |        |                 |        |
|--------------|--------|-----------------|--------|
| D705,554 S * | 5/2014 | Edwards .....   | D6/349 |
| D751,309 S * | 3/2016 | Habraken .....  | D25/65 |
| D751,845 S * | 3/2016 | Mallinger ..... | D6/684 |
| D779,860 S * | 2/2017 | Siao .....      | D6/684 |
| D780,491 S * | 3/2017 | Magargee .....  | D6/349 |

\* cited by examiner

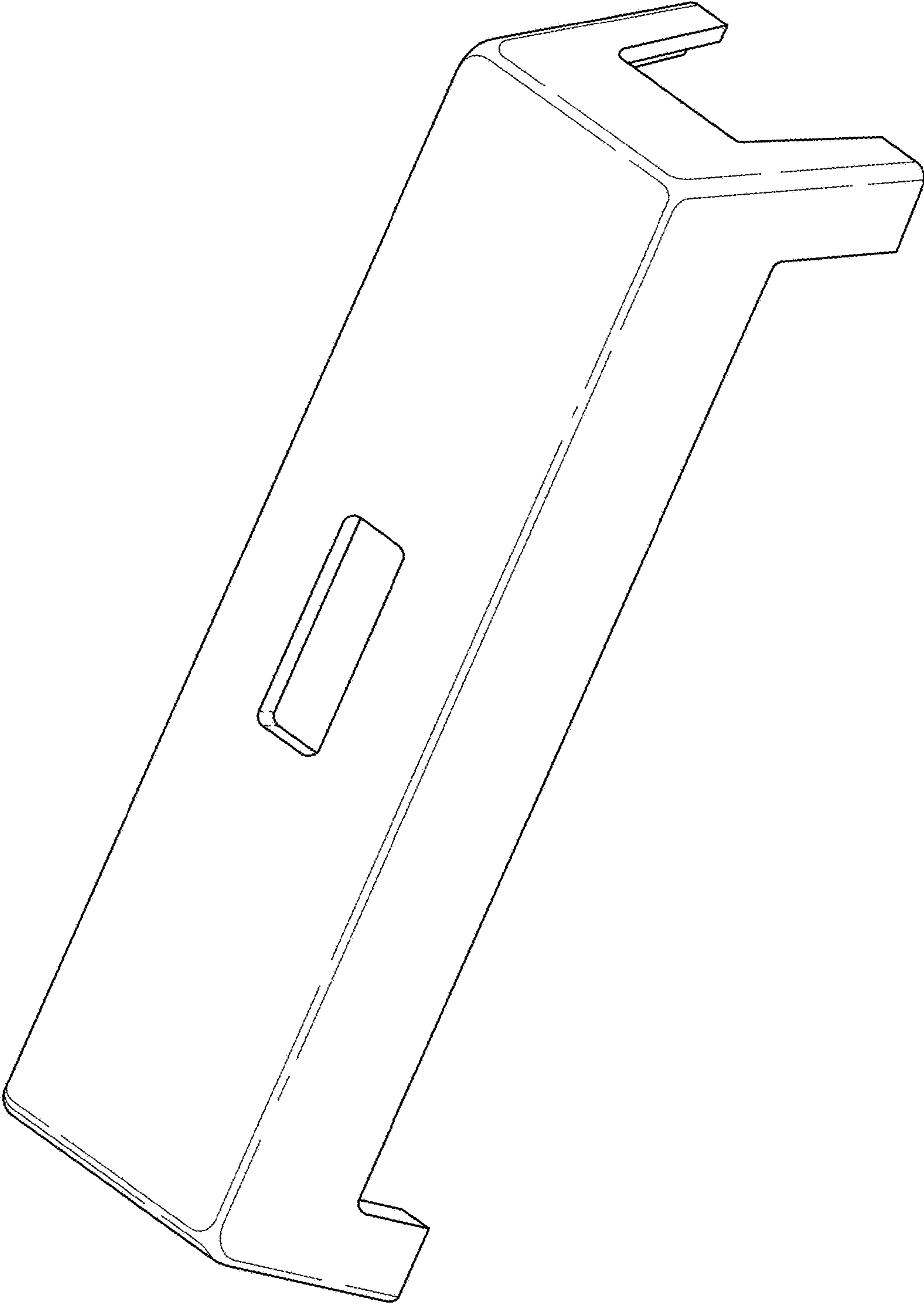


FIG. 1

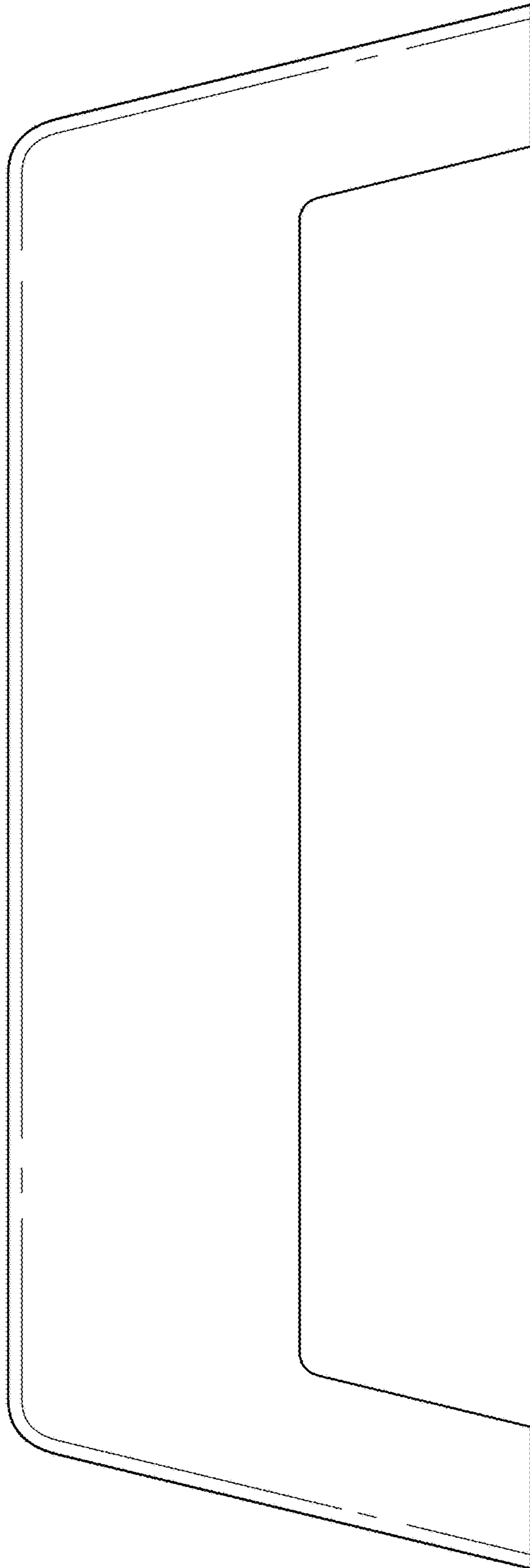


FIG. 2

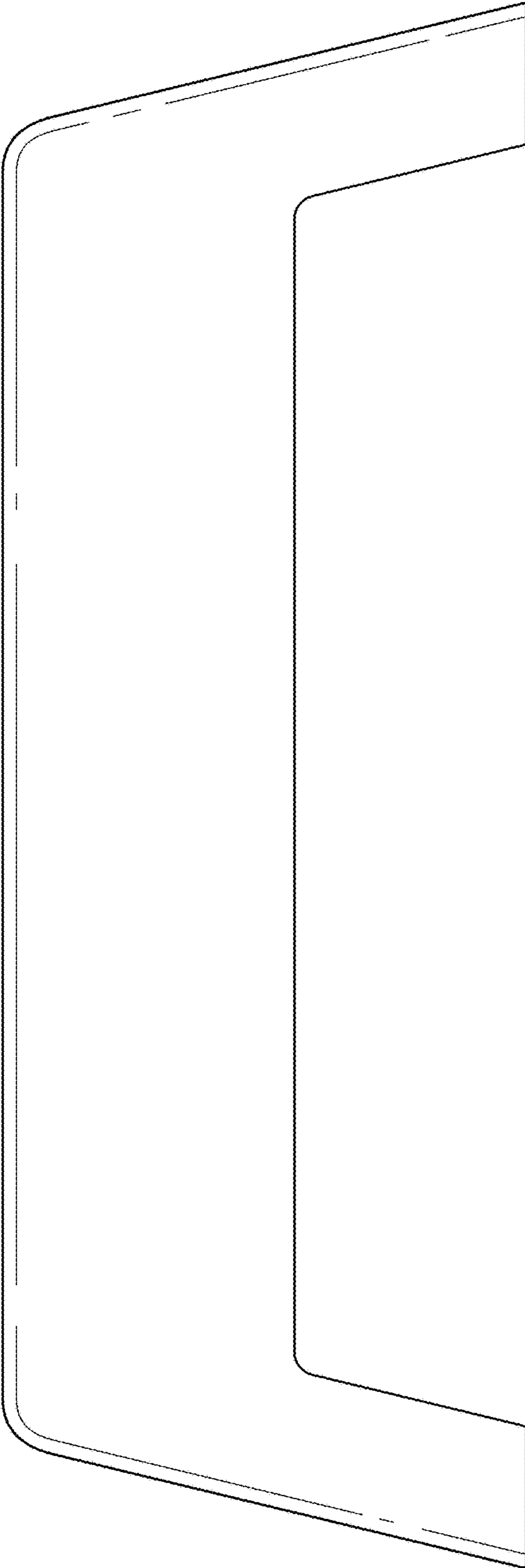


FIG. 3

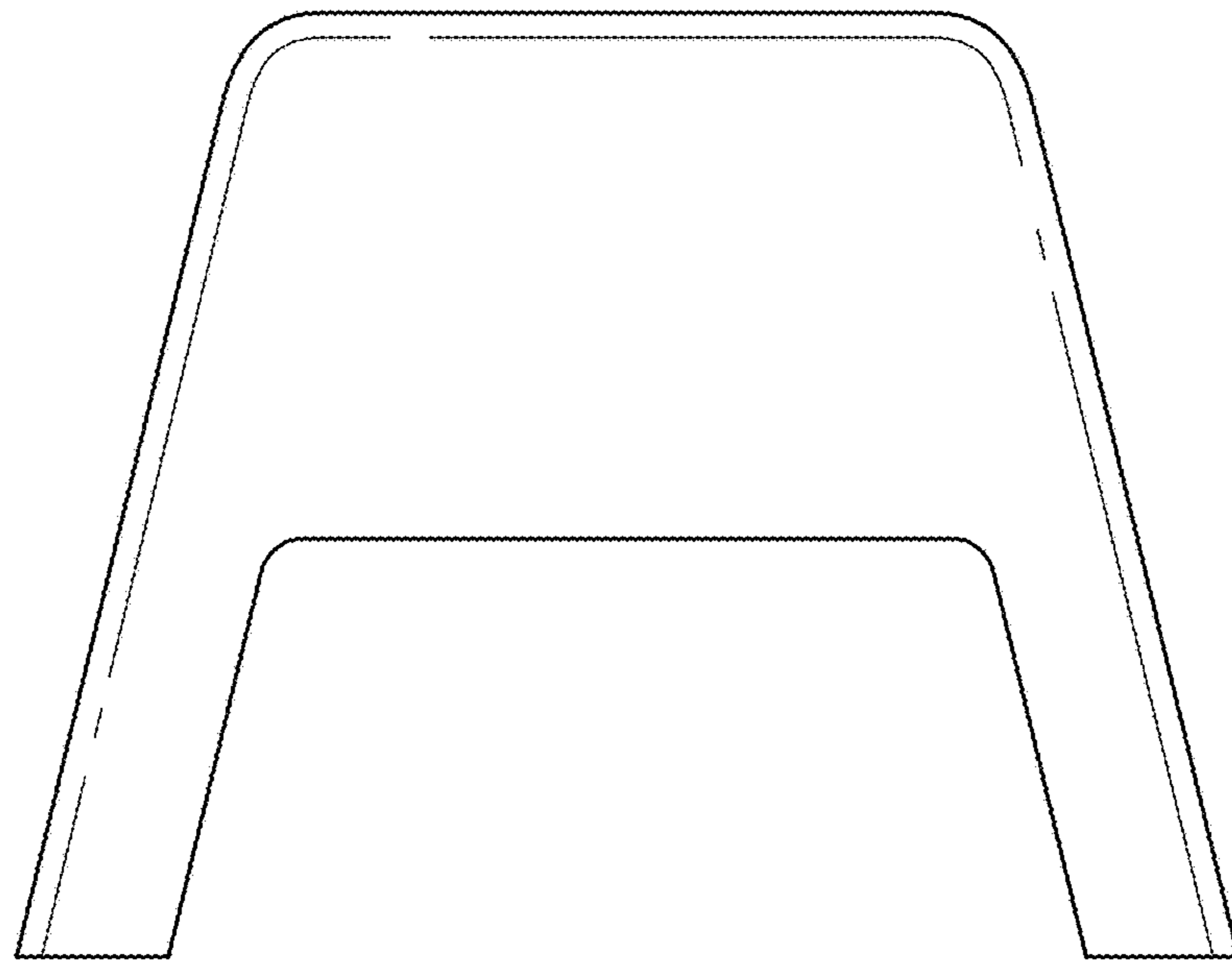


FIG. 4

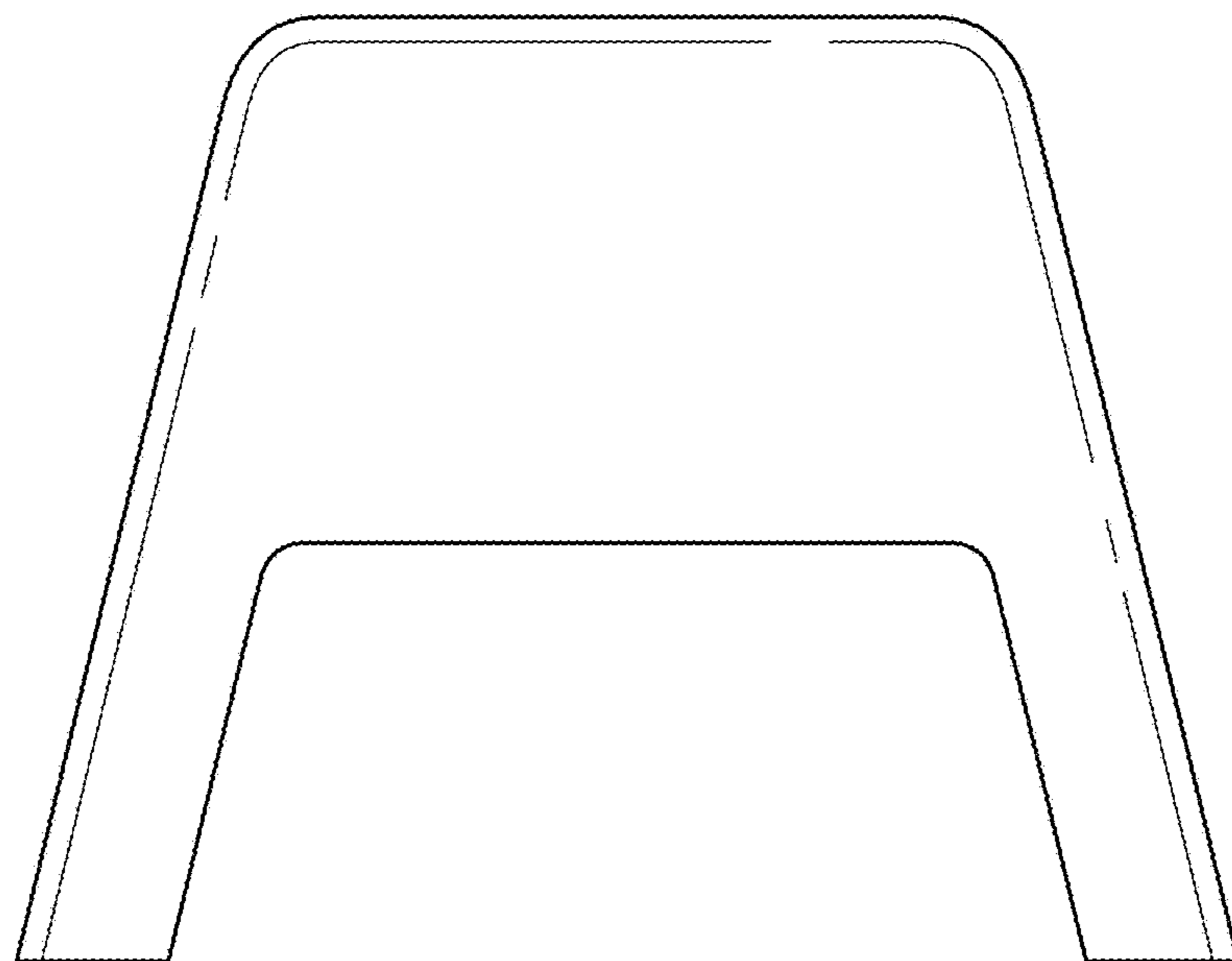


FIG. 5

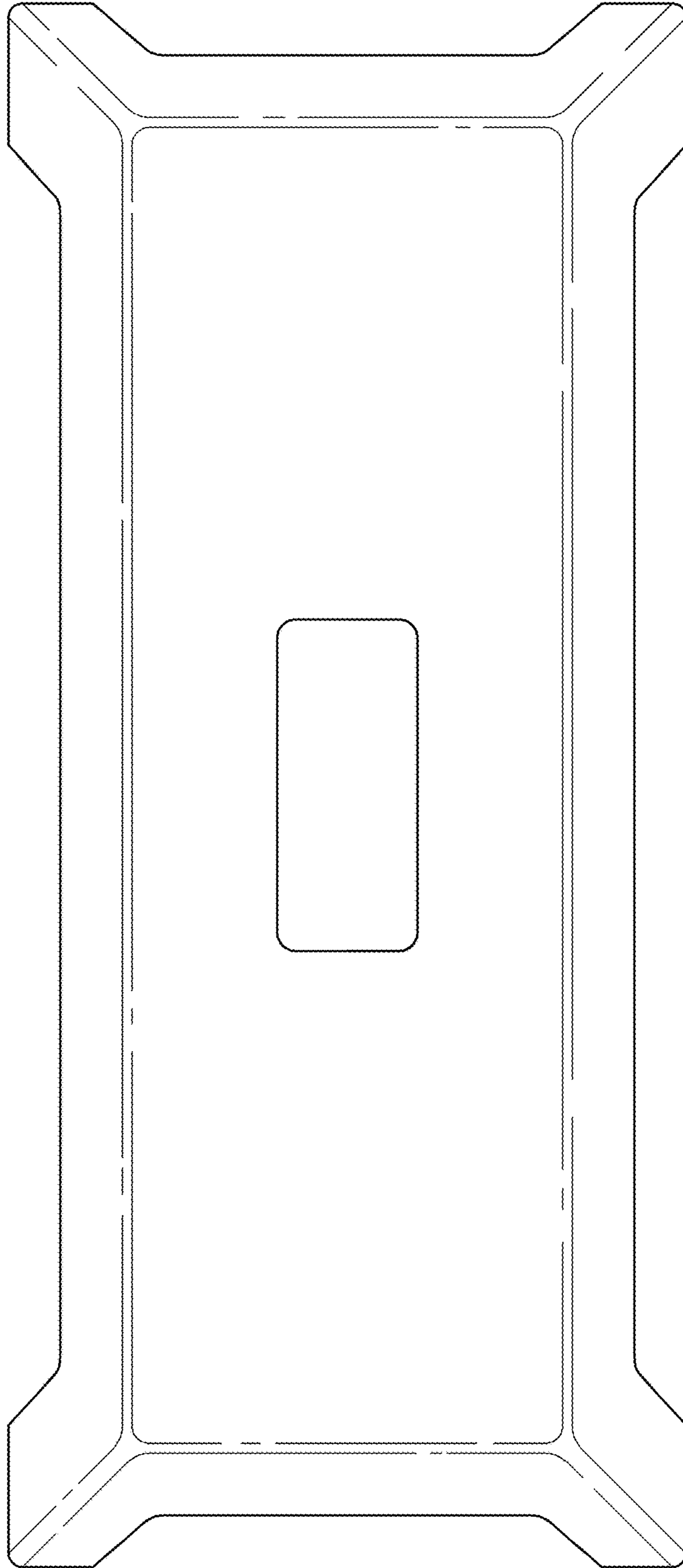


FIG. 6

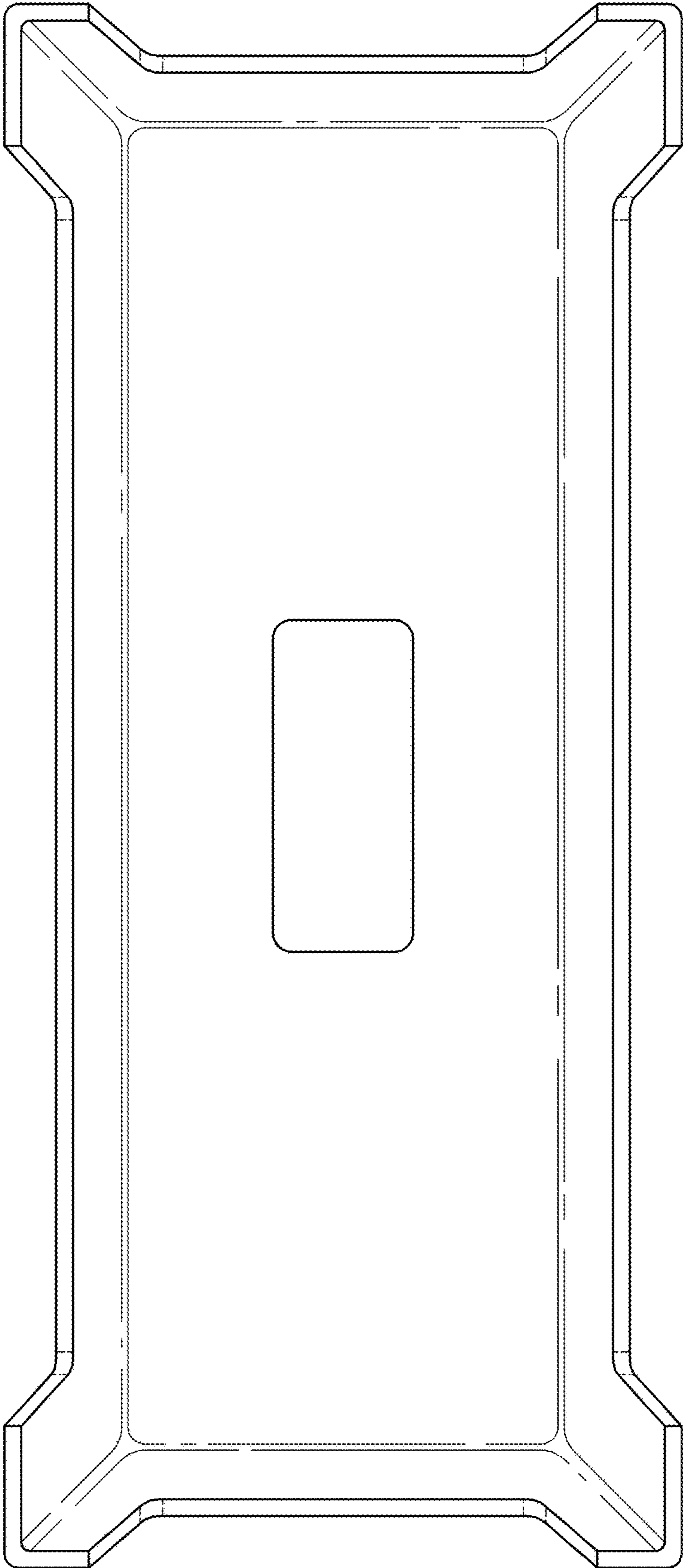


FIG. 7