



US00D811783S

(12) **United States Design Patent**
Janssens

(10) **Patent No.:** **US D811,783 S**
(45) **Date of Patent:** **** Mar. 6, 2018**

(54) **WATCH DISPLAY HOLDER**
(71) Applicant: **Anton JANSSENS BVBA**, Zwijndrecht (BE)
(72) Inventor: **Anton Janssens**, Zwijndrecht (BE)

6,264,148 B1 * 7/2001 Chandler A47F 7/022
206/301
D478,740 S * 8/2003 Kirshner A47F 7/022
D6/682
D502,338 S * 3/2005 Zanghi D6/672
D714,569 S * 10/2014 Cohen D6/523

(Continued)

(73) Assignee: **Anton Janssens BVBA**, Zwijndrecht (BE)

Primary Examiner — Kelley Donnelly
(74) *Attorney, Agent, or Firm* — Kirschstein, Israel, Schiffmiller & Pieroni, P.C.

(**) Term: **15 Years**

(21) Appl. No.: **29/589,727**

(22) Filed: **Jan. 4, 2017**

(57) **CLAIM**

The ornamental design for a watch display holder, as shown and described.

(30) **Foreign Application Priority Data**

DESCRIPTION

Jul. 4, 2016 (EM) 003283019-0001

(51) **LOC (11) Cl.** **06-06**

(52) **U.S. Cl.**
USPC **D6/682.5**

(58) **Field of Classification Search**
USPC D6/672, 677, 681, 681.1, 682, 682.1,
D6/682.3, 682.5; 211/13.1, 85.2, 85.3,
211/85.26, 85.1
CPC A47F 5/04; A47F 5/06; A47F 7/02; A47F
7/022

See application file for complete search history.

FIG. 1 is an exploded, overhead, perspective view of a watch display holder according to my new design.

FIG. 2 is an overhead, perspective view thereof in one assembled display position.

FIG. 3 is an overhead, perspective view thereof in another assembled display position.

FIG. 4 is an overhead, perspective view thereof in still another assembled display position.

FIG. 5 is a perspective view from below in an additional assembled display position.

FIG. 6 is a perspective view from below in yet another assembled display position.

FIG. 7 is a perspective view from below in another assembled display position.

FIG. 8 is an overhead, perspective view thereof in another assembled display position.

FIG. 9 is an overhead, perspective view thereof in another assembled display position; and,

FIG. 10 is an overhead, perspective view thereof in still another assembled display position.

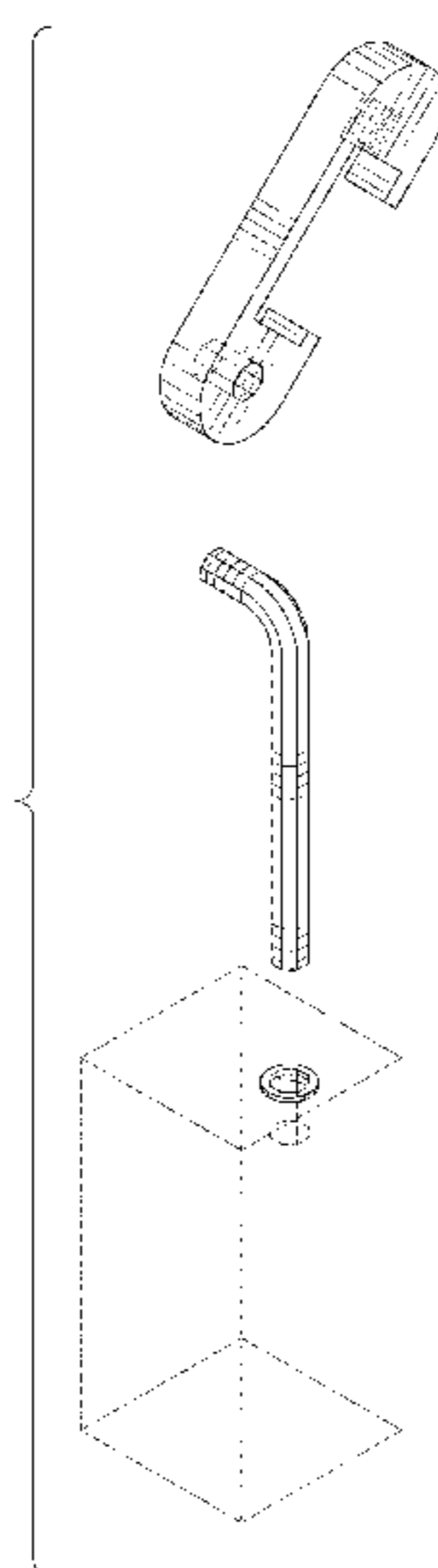
The broken lines showing is included for the purpose of illustrating environment and forms no part of the claimed design.

(56) **References Cited**

U.S. PATENT DOCUMENTS

D141,791 S * 7/1945 Siegel D6/682
D189,146 S * 11/1960 Eula D6/682
4,082,183 A * 4/1978 Sturm A45C 11/10
206/301
4,707,146 A * 11/1987 Wein A47F 7/022
248/116
5,136,557 A * 8/1992 Plawker A47F 7/022
248/116
D379,758 S * 6/1997 Chu Lee D20/10
D409,416 S * 5/1999 Au D6/682

1 Claim, 10 Drawing Sheets



(56)

References Cited

U.S. PATENT DOCUMENTS

D720,879 S *	1/2015	Blum	D26/142
D740,060 S *	10/2015	Akana	D6/682.5
D752,907 S *	4/2016	Denby	D6/682
D753,642 S *	4/2016	Iimuro	D14/253
D794,984 S *	8/2017	Green	D6/682.5
2017/0188732 A1 *	7/2017	Wood	A47F 7/065

* cited by examiner

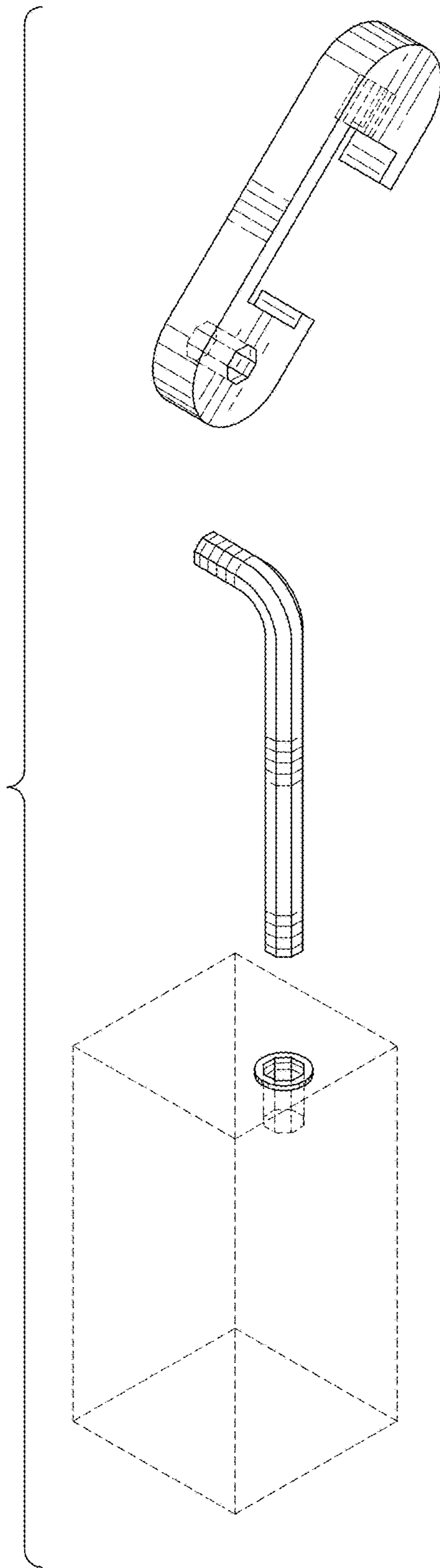


FIG. 1

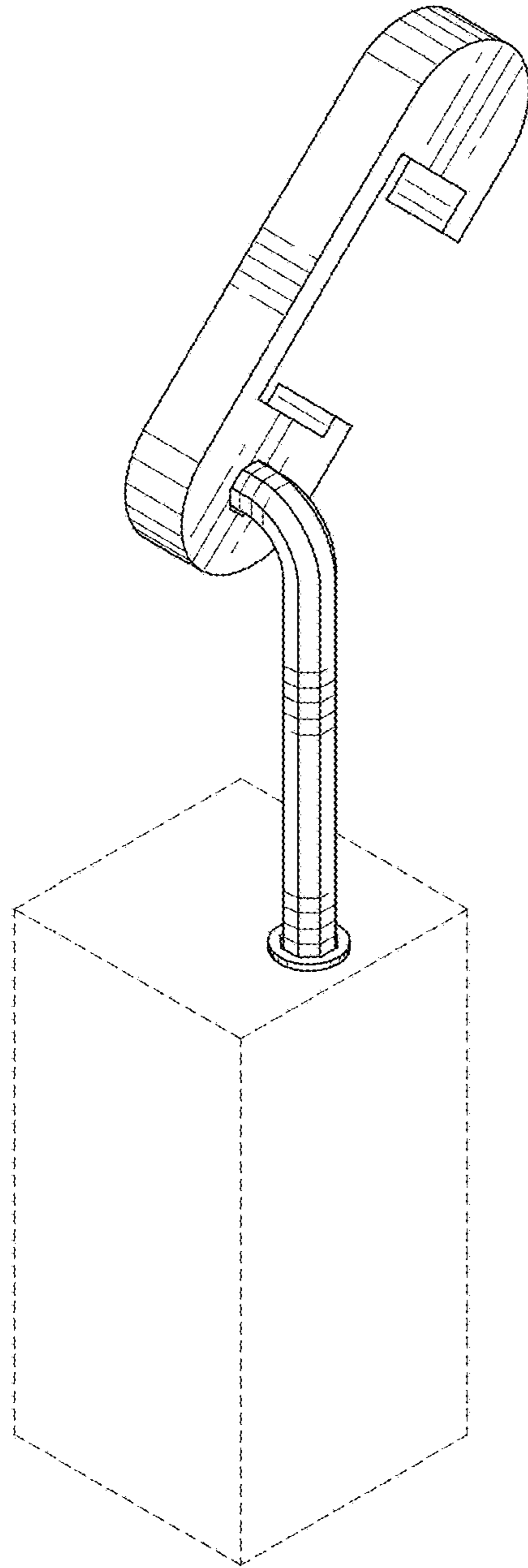


FIG. 2

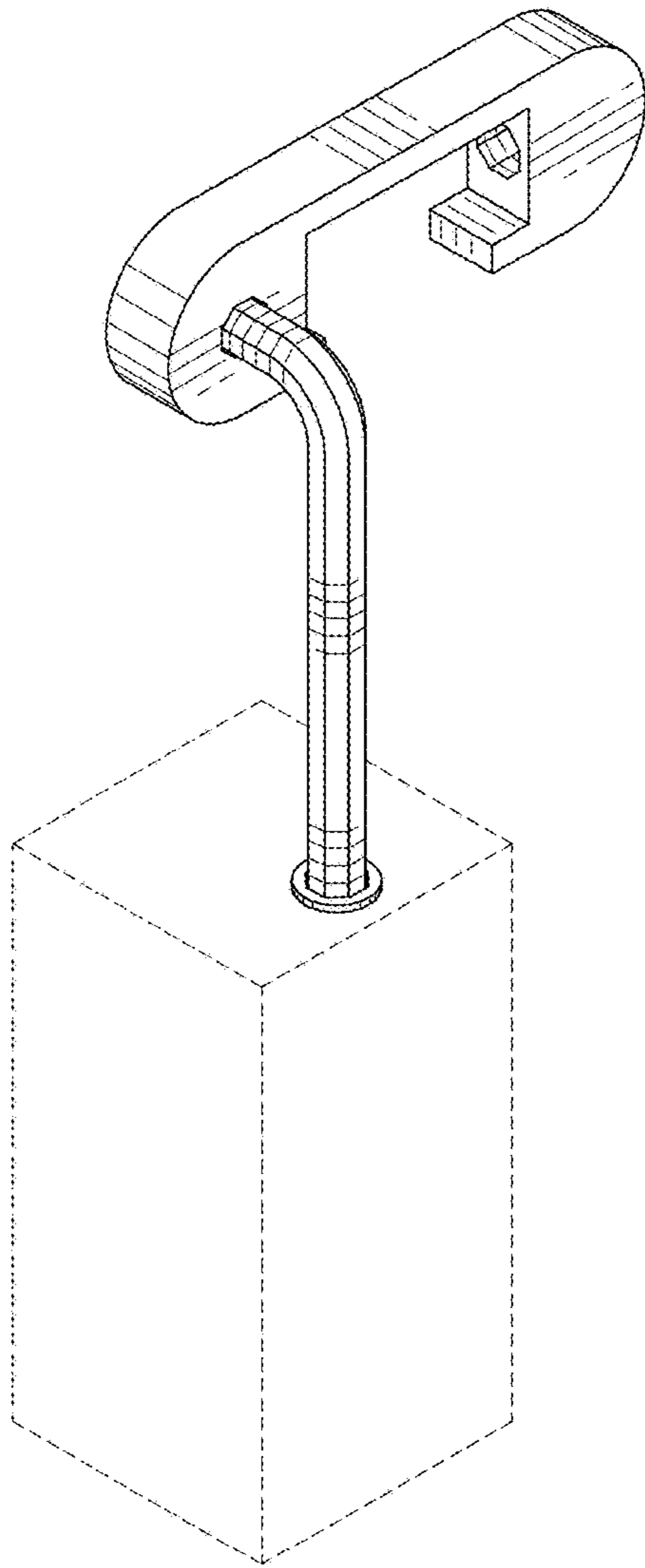


FIG. 3

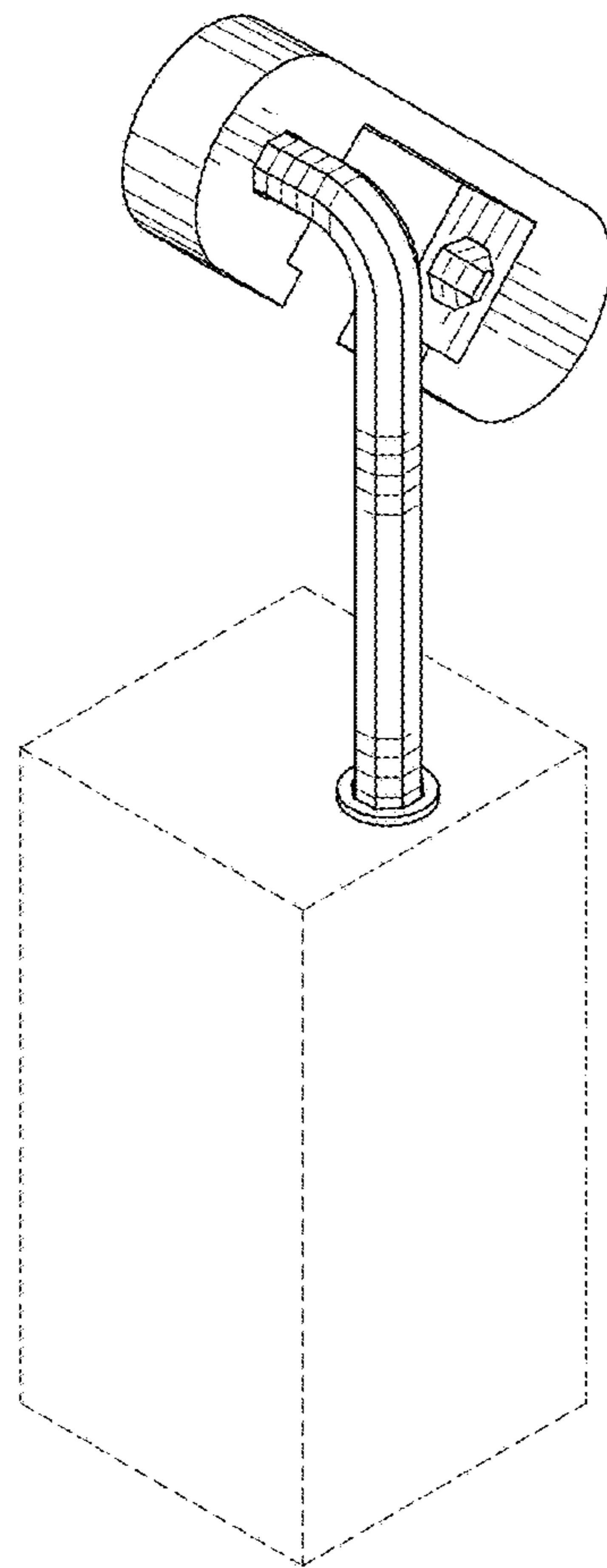


FIG. 4

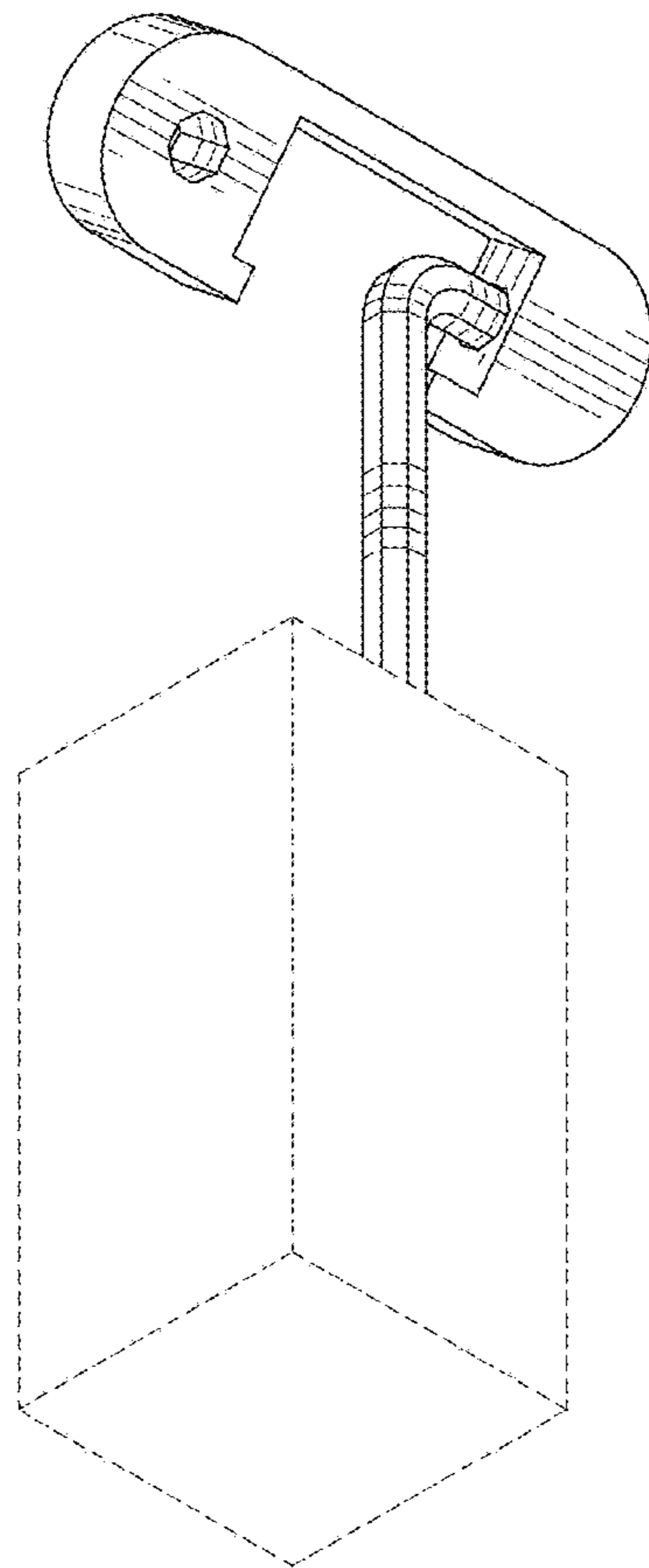


FIG. 5

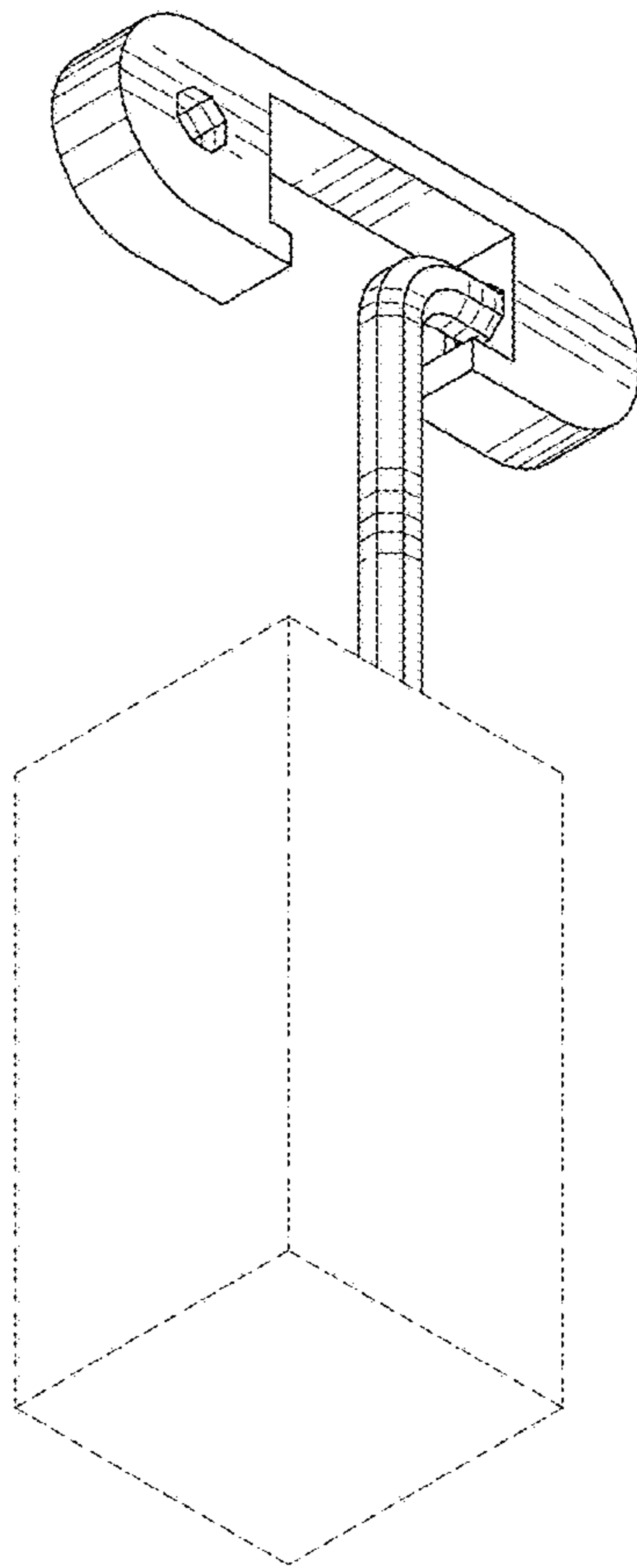


FIG. 6

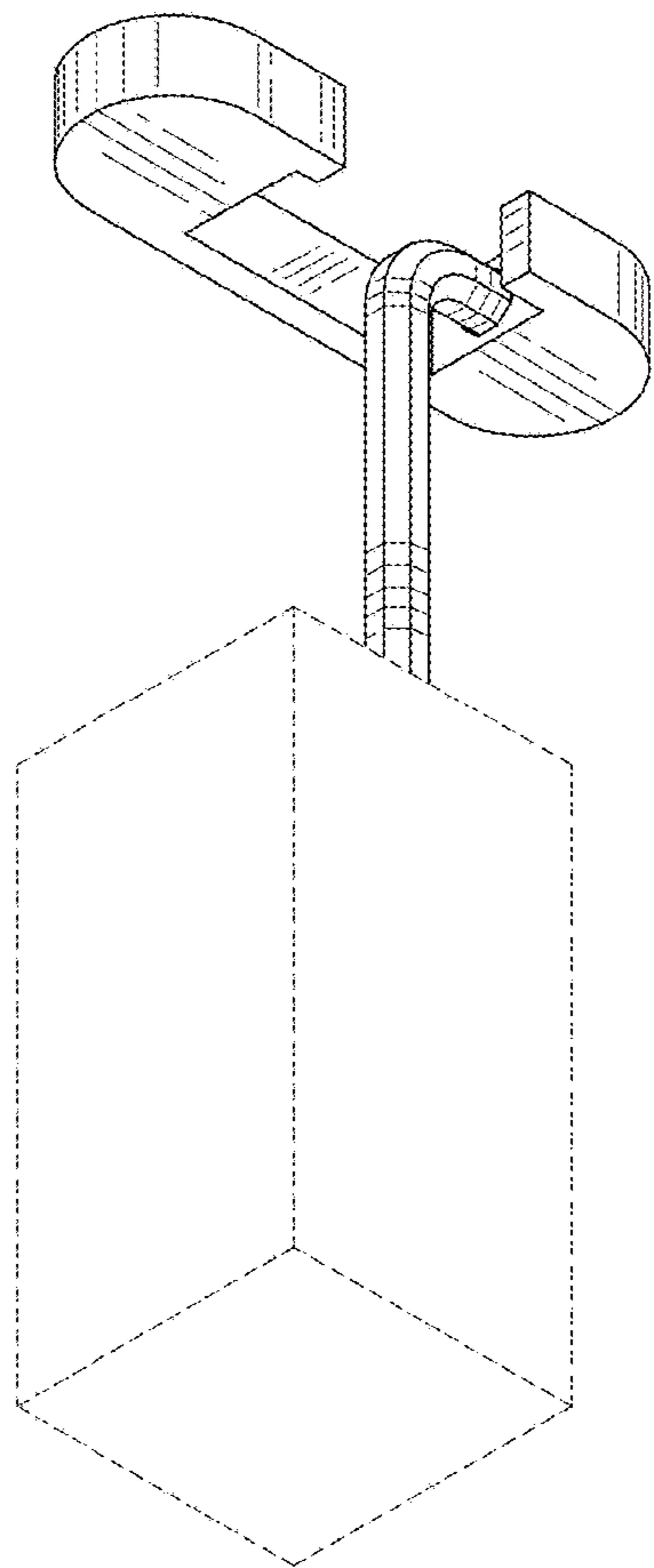


FIG. 7

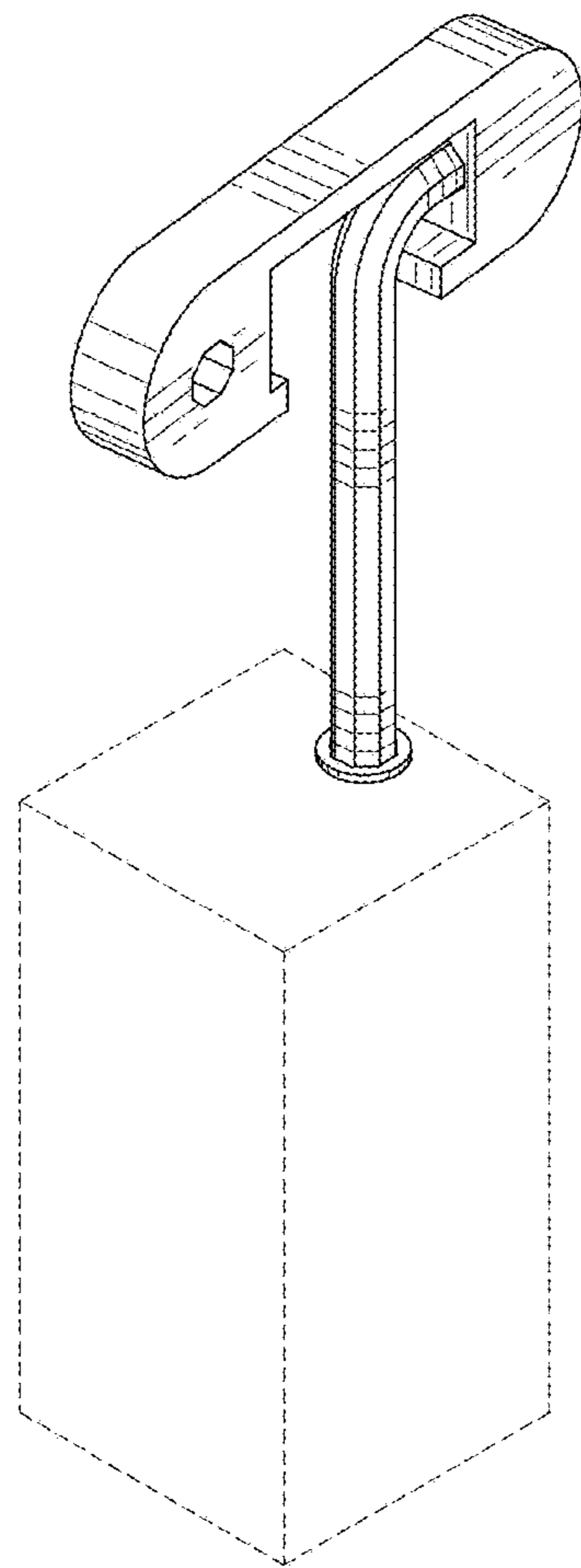


FIG. 8

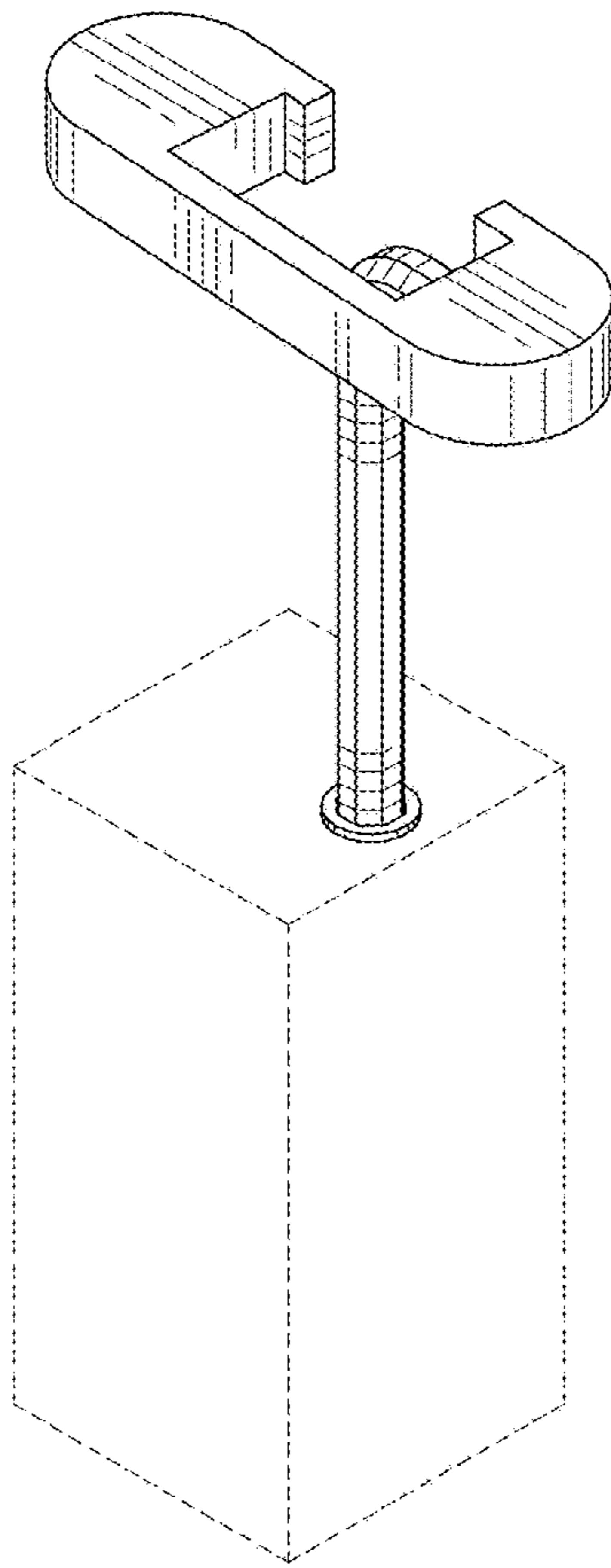


FIG. 9

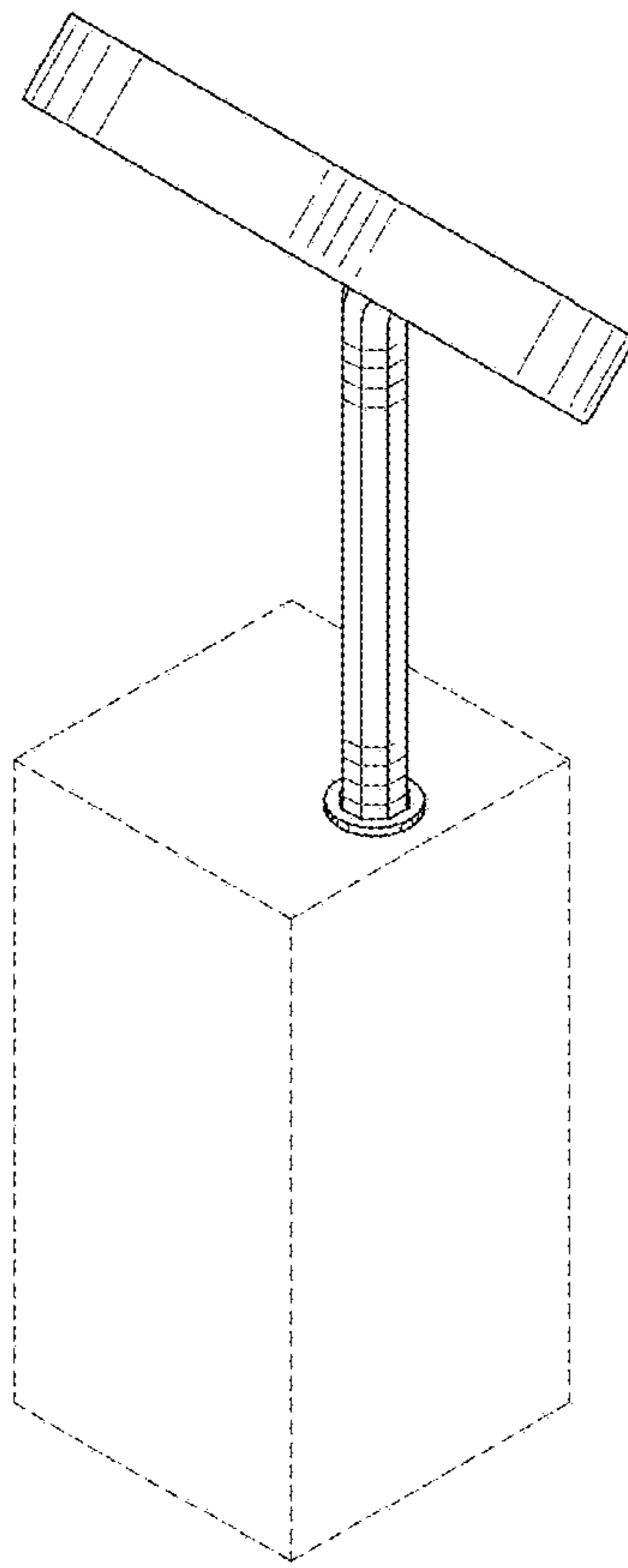


FIG. 10