



US00D811782S

(12) **United States Design Patent**  
**Rodriguez**

(10) **Patent No.:** **US D811,782 S**  
(45) **Date of Patent:** **\*\* Mar. 6, 2018**

(54) **MULTI-TIERED PRODUCT DISPLAY STAND**

(71) Applicant: **Grupo Bimbo, S.A.B. de C.V., Mexico (MX)**

(72) Inventor: **Tzitzijani del Carmen Silva Rodriguez, Metepec (MX)**

(73) Assignee: **GRUPO BIMBO, S.A.B. DE C.V., Mexico City (MX)**

(\*\*) Term: **15 Years**

(21) Appl. No.: **29/566,486**

(22) Filed: **May 31, 2016**

(30) **Foreign Application Priority Data**

Dec. 10, 2015 (MX) ..... MX/f/2015/003718

(51) **LOC (11) Cl.** ..... **20-02**

(52) **U.S. Cl.**  
USPC ..... **D6/675.2**

(58) **Field of Classification Search**  
USPC ..... D6/675-675.3, 677, 678-678.2,  
D6/680-680.2

CPC ..... A47F 5/13; A47F 5/0018  
See application file for complete search history.

(56) **References Cited**

**U.S. PATENT DOCUMENTS**

- 3,523,694 A \* 8/1970 Oliver ..... A47B 87/0207  
108/53.3
- 3,743,105 A \* 7/1973 David ..... A47F 5/13  
211/153
- D303,189 S \* 9/1989 Mandel ..... D6/675.2
- D307,084 S \* 4/1990 Currie ..... 248/676

- 5,000,329 A \* 3/1991 Luberto ..... A47F 5/11  
211/132.1
- 5,238,128 A \* 8/1993 Stoddard ..... A47B 87/0223  
211/133.1
- 5,240,127 A \* 8/1993 Levin ..... A47B 87/0223  
211/133.1
- D369,483 S \* 5/1996 Kandel ..... D6/566
- 6,123,209 A \* 9/2000 Tseng ..... A47B 87/005  
211/182
- D478,739 S \* 8/2003 Sparkowski ..... D6/675.2
- D533,372 S \* 12/2006 Glassenberg ..... D6/678.1
- D565,324 S \* 4/2008 Sparkowski ..... D6/675.2
- D635,801 S \* 4/2011 Stubis ..... D6/675.1
- 8,079,313 B2 \* 12/2011 Sparkowski ..... A47F 5/0018  
108/110
- D657,591 S \* 4/2012 Sanchez ..... D6/675.1
- 9,247,834 B1 \* 2/2016 Lucht ..... A47F 5/13

\* cited by examiner

*Primary Examiner* — Robert M. Spear

*Assistant Examiner* — Melvin L Davis

(74) *Attorney, Agent, or Firm* — Brinks Gilson & Lione

(57) **CLAIM**

The ornamental design for a multi-tiered product display stand, as shown and described.

**DESCRIPTION**

FIG. 1 is an isometric view of a multi-tiered product display stand;  
 FIG. 2 is a left side view of the multi-tiered product display stand;  
 FIG. 3 is a top view of the multi-tiered product display stand;  
 FIG. 4 is a bottom view of the multi-tiered product display stand; and,  
 FIG. 5 is a front view of the multi-tiered product display stand.

**1 Claim, 3 Drawing Sheets**

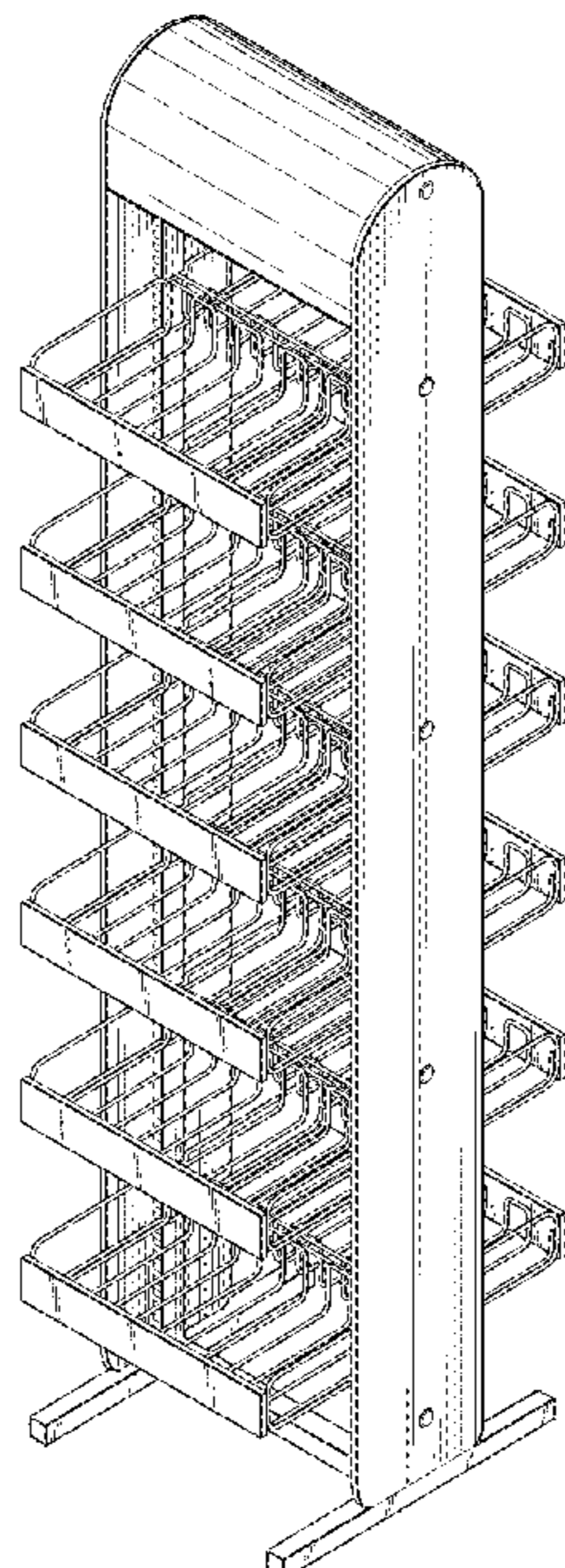


Fig. 1

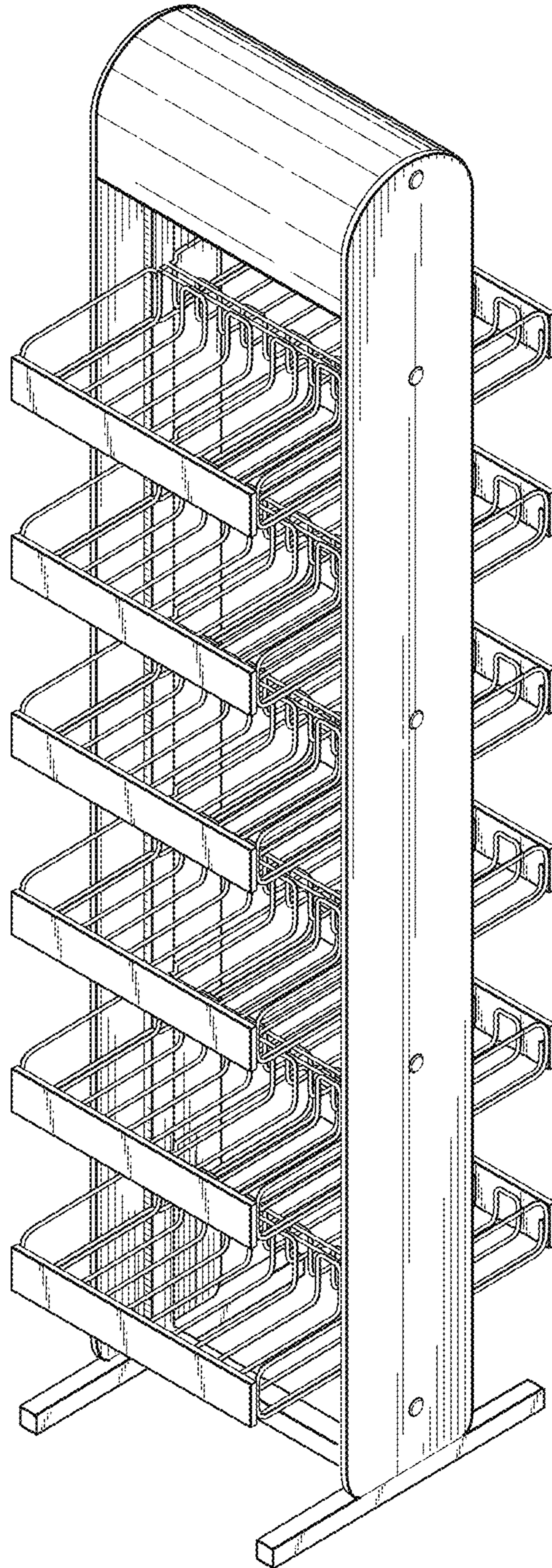




Fig. 2

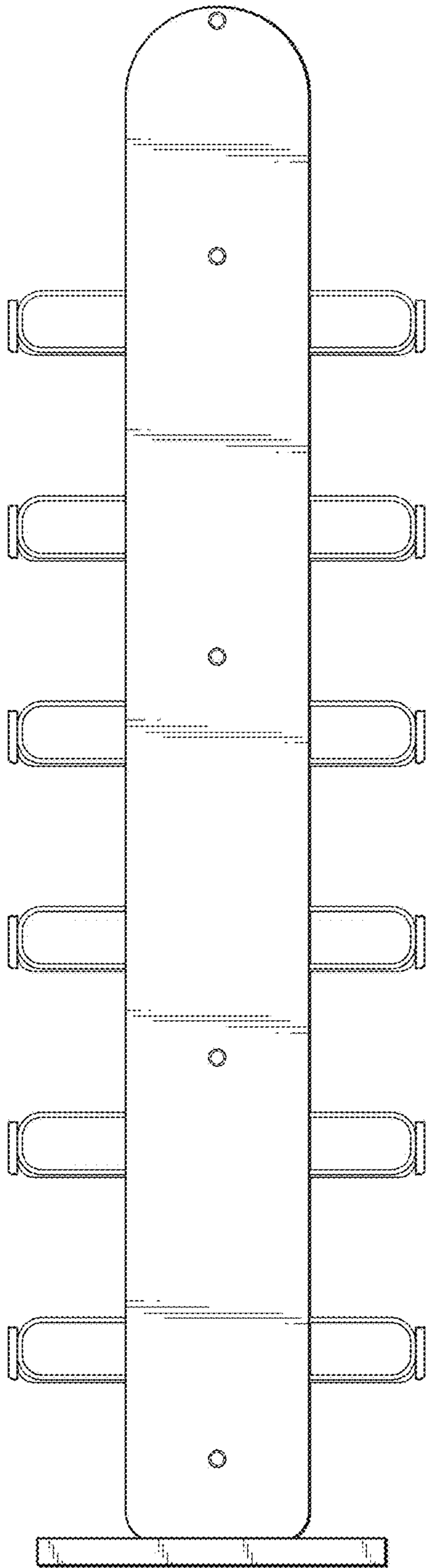


Fig. 3

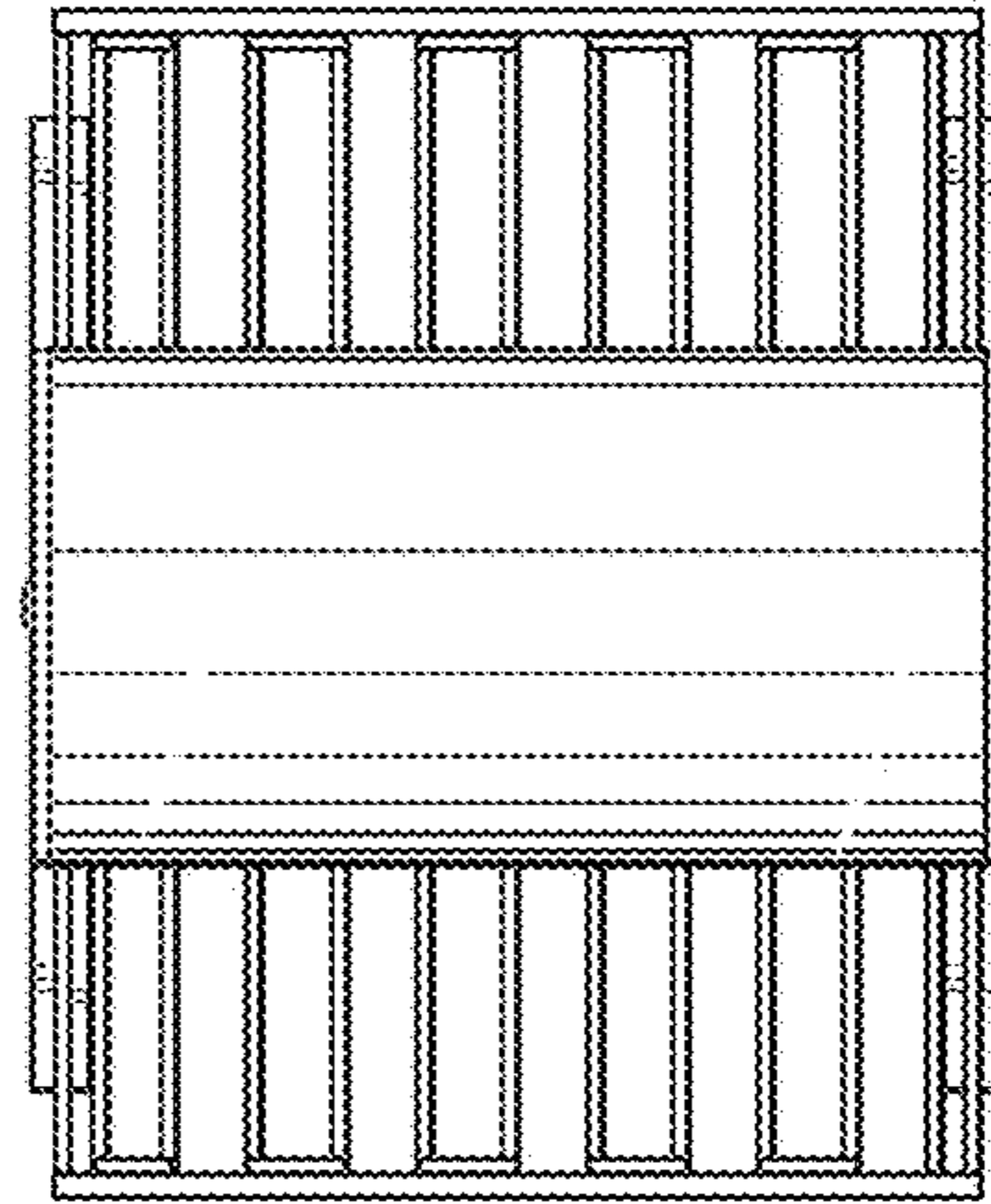


Fig. 4

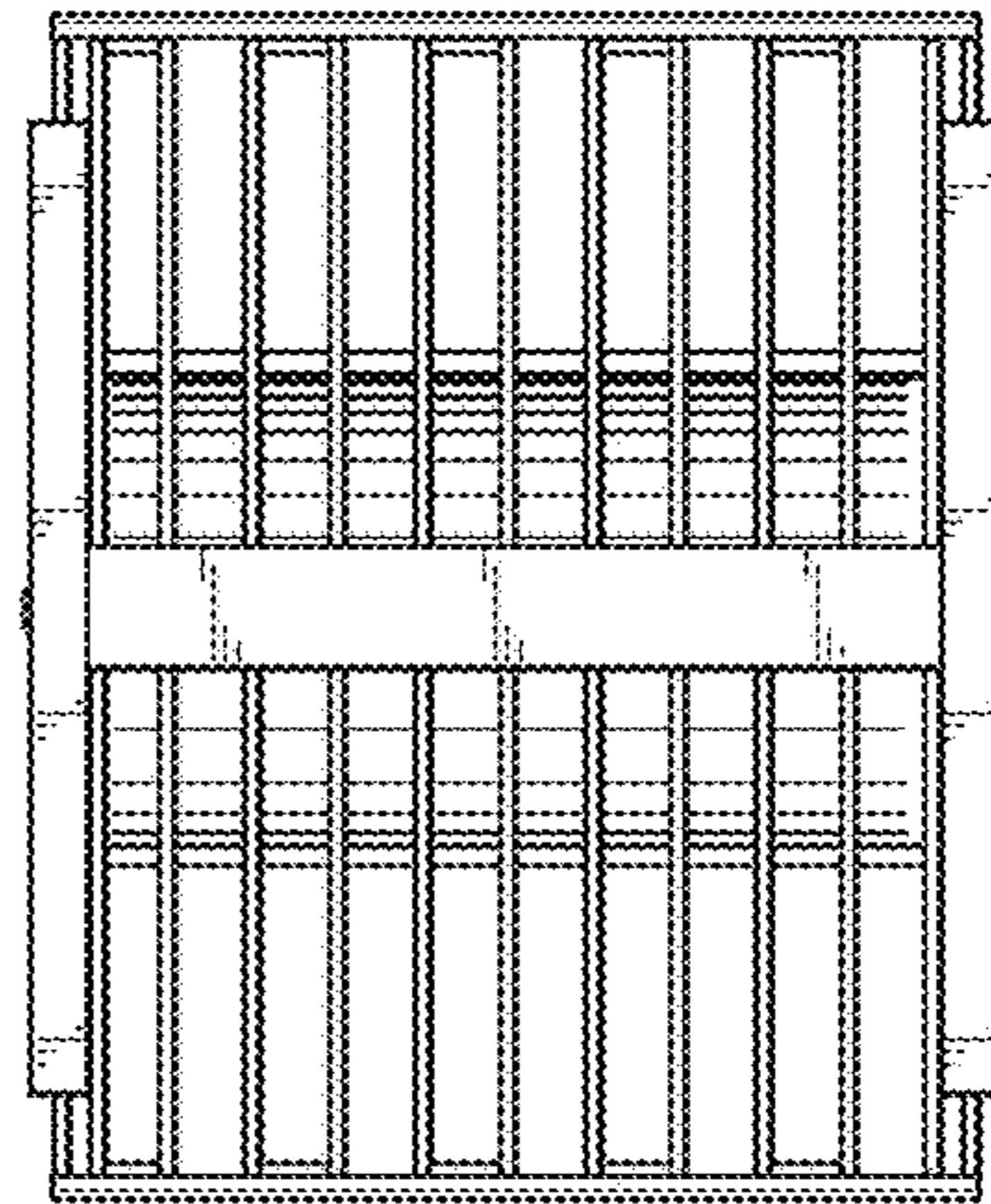


Fig. 5

