



US00D811770S

(12) **United States Design Patent**  
**Brownley et al.**

(10) **Patent No.:** **US D811,770 S**  
(45) **Date of Patent:** **\*\* Mar. 6, 2018**

(54) **WALL MOUNTED DISPENSER CABINET**

8,336,740 B1 \* 12/2012 Daansen ..... A47K 5/1207  
222/181.3

(71) Applicant: **GOJO Industries, Inc.**, Akron, OH  
(US)

8,387,830 B2 3/2013 Priper  
8,534,507 B2 \* 9/2013 Gronholm ..... G01F 11/24  
141/369

(72) Inventors: **David Brownley**, Hudson, OH (US);  
**Anthony Seitz**, University Heights, OH  
(US); **Matthew Hern**, Malibu, CA (US)

(Continued)

(73) Assignee: **GOJO Industries, Inc.**, Akron, OH  
(US)

**OTHER PUBLICATIONS**

Notice of Allowance for U.S. Appl. No. 29/582,756 dated Oct. 20,  
2017.

(Continued)

(\*\*) Term: **15 Years**

*Primary Examiner* — David G Muller

(21) Appl. No.: **29/568,740**

*Assistant Examiner* — Nathan M Johnston

(22) Filed: **Jun. 21, 2016**

(74) *Attorney, Agent, or Firm* — Calfee, Halter &  
Griswold LLP

(51) **LOC (11) Cl.** ..... **23-02**

(57) **CLAIM**

(52) **U.S. Cl.**

The ornamental design for a wall mounted dispenser cabi-  
net, as shown and described.

USPC ..... **D6/545**

(58) **Field of Classification Search**

**DESCRIPTION**

USPC ..... D6/545, 515–523; 206/389, 391;  
312/34, 34.8, 34.22, 309.1; 211/13.1, 16,  
211/44, 49.1, 50, 59.2, 86.01; 221/282,  
221/283; 222/173, 181.1

FIG. 1 is a perspective view of a wall mounted dispenser  
cabinet of the new design;

CPC ..... A47K 5/14; A47K 5/1217; A47K 5/12;  
B05B 11/3087; B05B 7/0037

FIG. 2 is a top plan view of the wall mounted dispenser  
cabinet of FIG. 1;

See application file for complete search history.

FIG. 3 is a front elevational view of the wall mounted  
dispenser cabinet of FIG. 1;

(56) **References Cited**

**U.S. PATENT DOCUMENTS**

D372,824 S *	8/1996	Lin	.....	D6/545
D379,728 S *	6/1997	Simon	.....	D6/545
7,044,328 B1	5/2006	Ciavarella		
D527,936 S	9/2006	Sirkis		
D529,740 S	10/2006	Ophardt		
D530,124 S	10/2006	Ophardt		
D588,388 S *	3/2009	Crawford	.....	D6/545
D616,684 S *	6/2010	Ciavarella	.....	D6/545
D629,236 S *	12/2010	Weststrate	.....	D6/545
D634,143 S *	3/2011	Burkett	.....	D6/545
D643,237 S *	8/2011	Reynolds	.....	D6/545

FIG. 4 is back elevational view of the wall mounted dis-  
penser cabinet of FIG. 1;

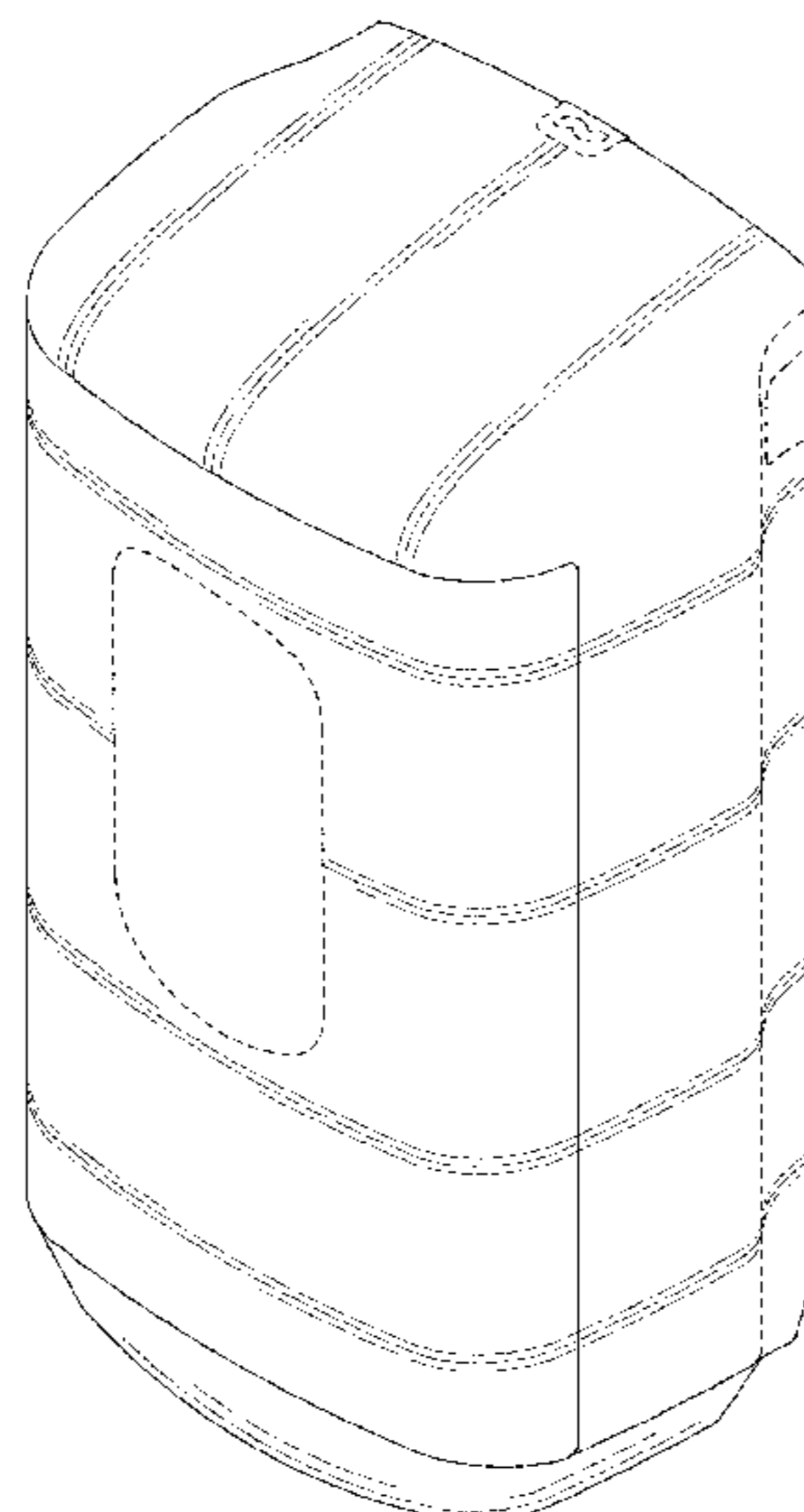
FIG. 5 is bottom view of the wall mounted dispenser cabinet  
of FIG. 1;

FIG. 6 is a left side elevational view of the wall mounted  
dispenser cabinet of FIG. 1; and,

FIG. 7 is a right side elevational view of the wall mounted  
dispenser cabinet of FIG. 1.

The broken line showing of wall mounted dispenser cabinet  
is included for the purpose of illustrating portions of the  
article and forms no part of the claimed design.

**1 Claim, 4 Drawing Sheets**



(56)

**References Cited**

U.S. PATENT DOCUMENTS

8,827,120 B2 \* 9/2014 Boshuizen ..... G01F 11/00  
222/181.3  
D724,861 S \* 3/2015 Gottschalk ..... D6/545  
8,991,655 B2 3/2015 Pekley  
D726,444 S 4/2015 Giovannoni  
D767,301 S 9/2016 Indruk  
D768,406 S 10/2016 Patterson  
D768,407 S \* 10/2016 Patterson ..... D6/545  
D775,852 S 1/2017 Indruk  
D778,732 S \* 2/2017 Pelfrey ..... D6/515  
D780,473 S \* 3/2017 Brownley ..... D6/515  
D781,064 S 3/2017 Brownley  
D781,065 S \* 3/2017 Brownley ..... D6/515  
D781,613 S 3/2017 Santoro  
9,648,990 B1 5/2017 Corney  
2005/0087563 A1 \* 4/2005 Ciavarella ..... A47K 5/1204  
222/321.9  
2010/0059550 A1 \* 3/2010 Ciavarella ..... A47K 5/1207  
222/325  
2011/0023364 A1 \* 2/2011 Euteneuer ..... E05F 15/43  
49/25  
2011/0253744 A1 \* 10/2011 Pelfrey ..... A47K 5/1217  
222/52

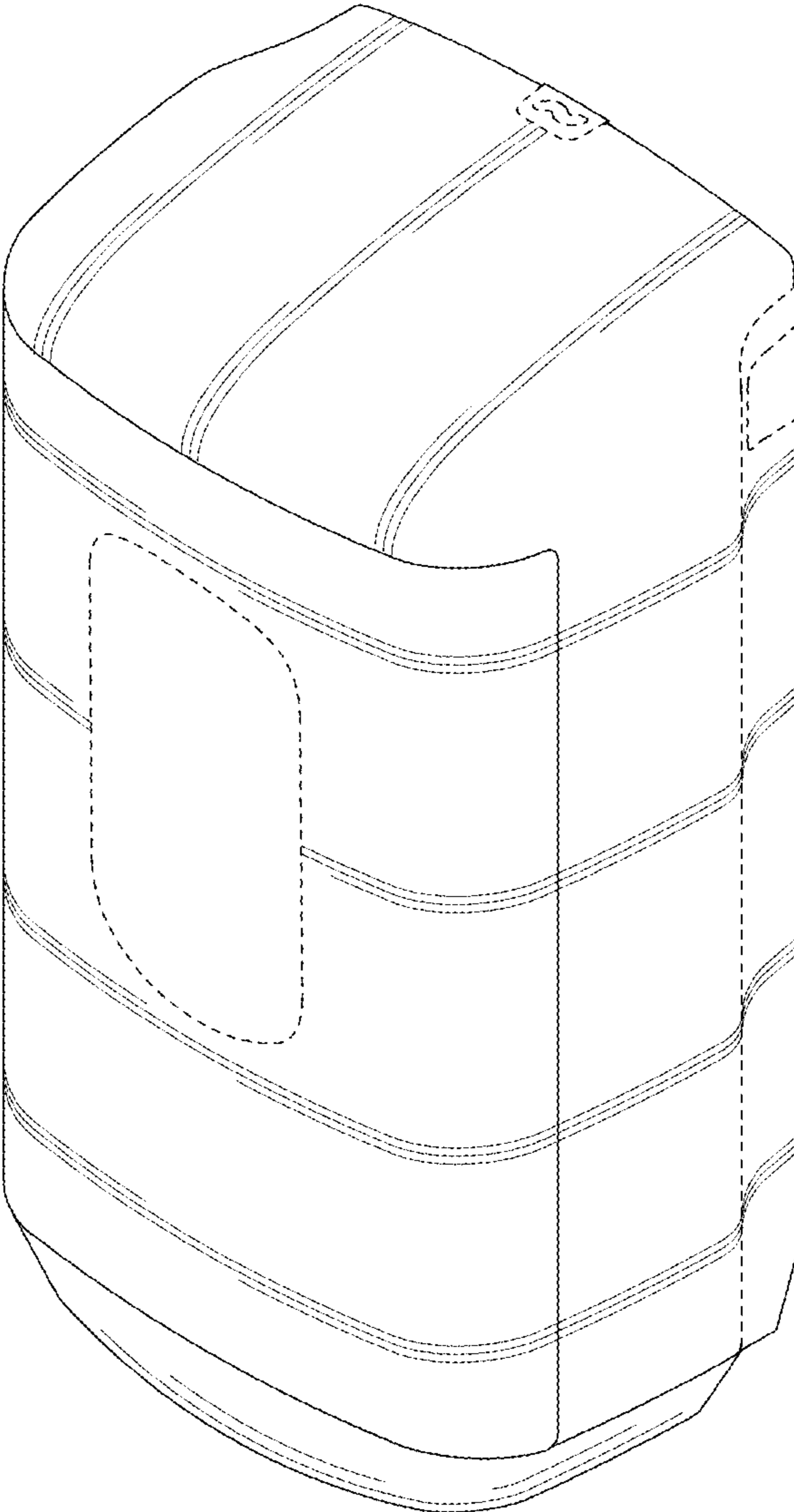
2012/0228326 A1 \* 9/2012 Ciavarella ..... G09F 7/18  
222/108  
2013/0015209 A1 2/2013 Ciavarella  
2013/0032613 A1 \* 2/2013 Ciavarella ..... A47K 5/1207  
222/153.13  
2014/0110434 A1 4/2014 Ciavarella  
2015/0083754 A1 \* 3/2015 Proper ..... A47K 5/12  
222/180  
2015/0190827 A1 \* 7/2015 Ophardt ..... B05B 11/0037  
222/153.09  
2015/0266657 A1 \* 9/2015 Corney ..... B65D 47/06  
222/478  
2015/0320265 A1 \* 11/2015 Bullock ..... A47K 5/1217  
222/1  
2016/0309967 A1 10/2016 Pelfrey  
2017/0100001 A1 \* 4/2017 Tojek ..... A47K 5/1211

OTHER PUBLICATIONS

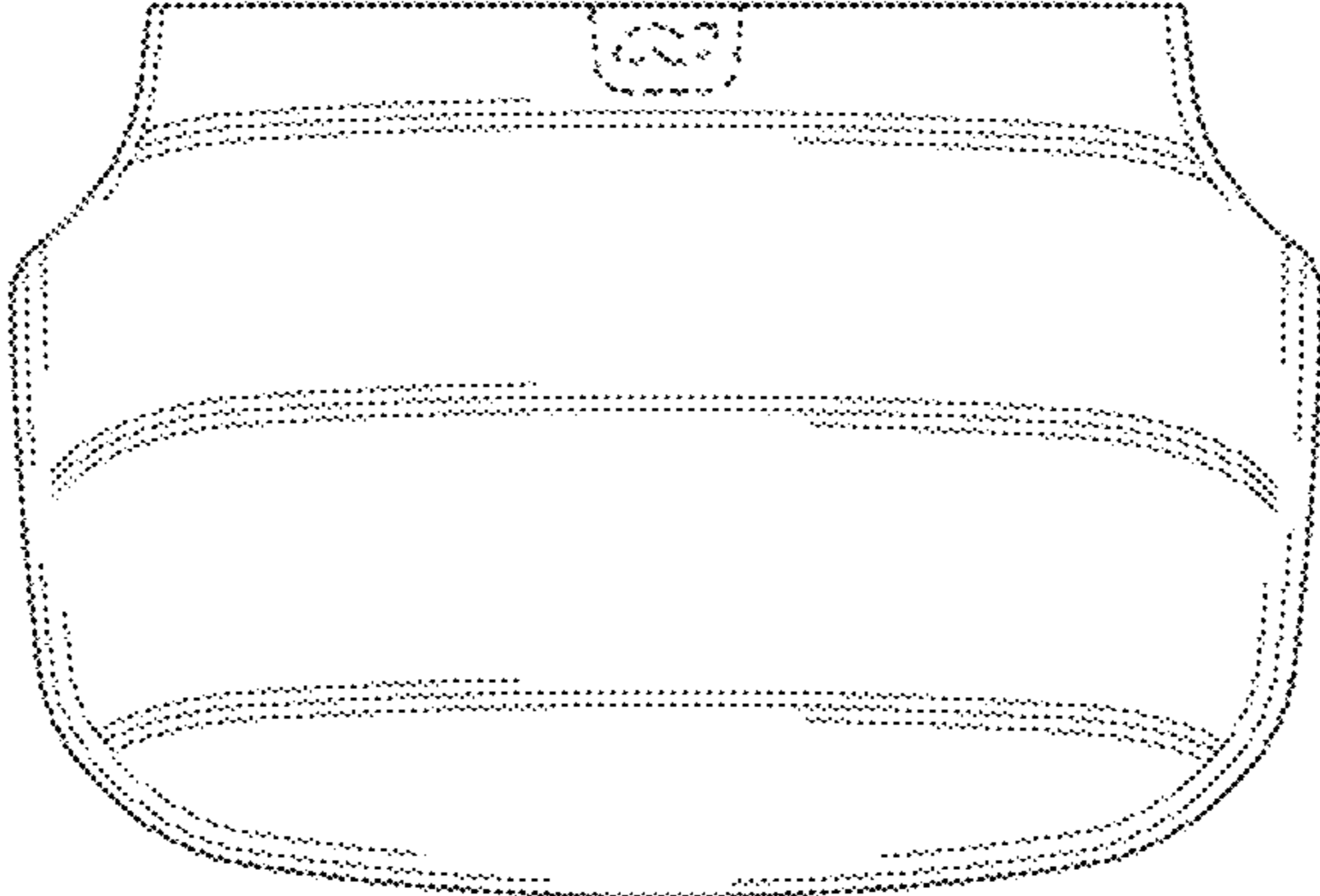
Notice of Allowance for U.S. Appl. No. 29/582,753 dated Oct. 10, 2017.

Notice of Allowance for U.S. Appl. No. 29/585,578 Oct. 20, 2017.

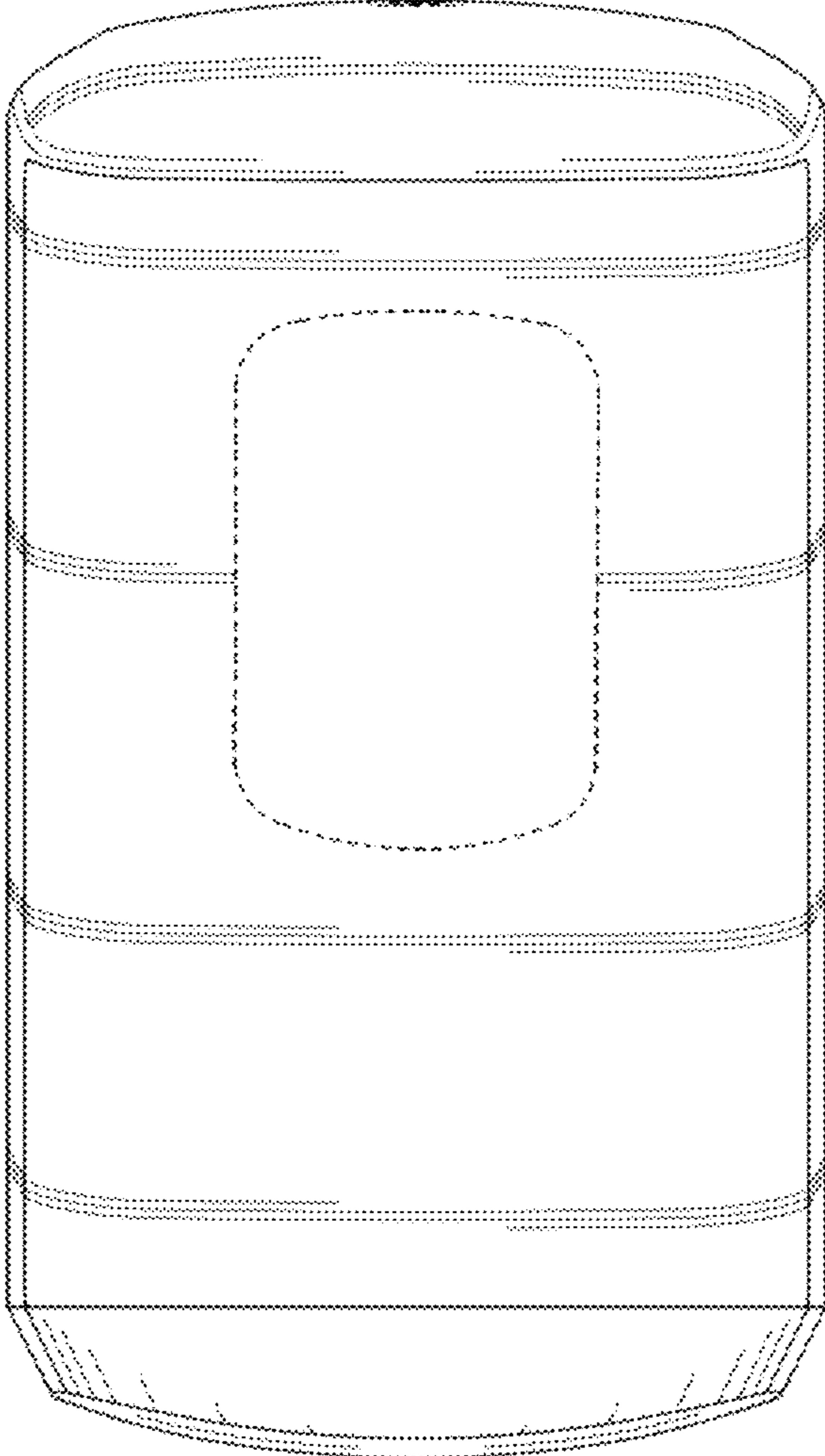
\* cited by examiner



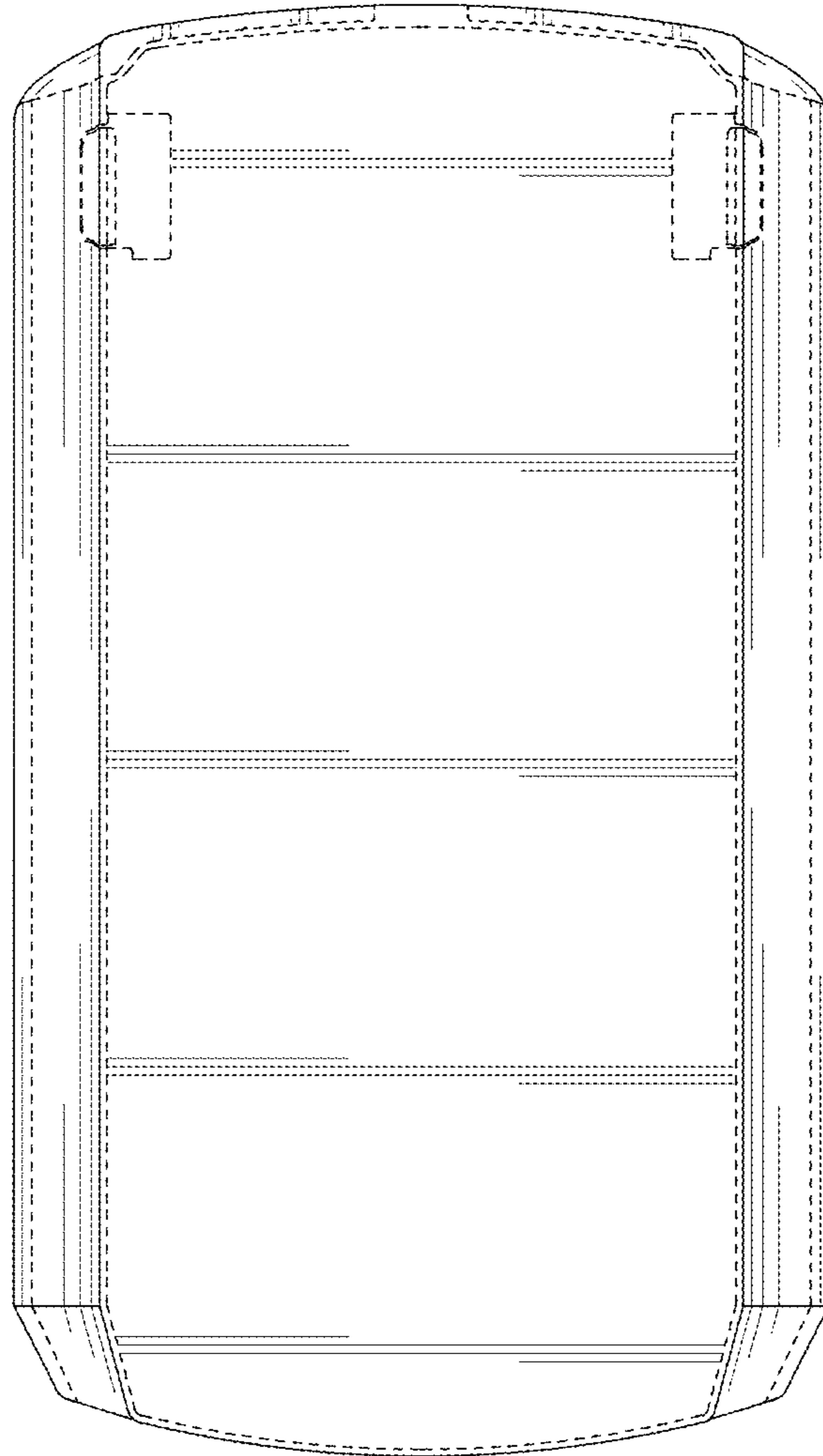
**FIG. 1**



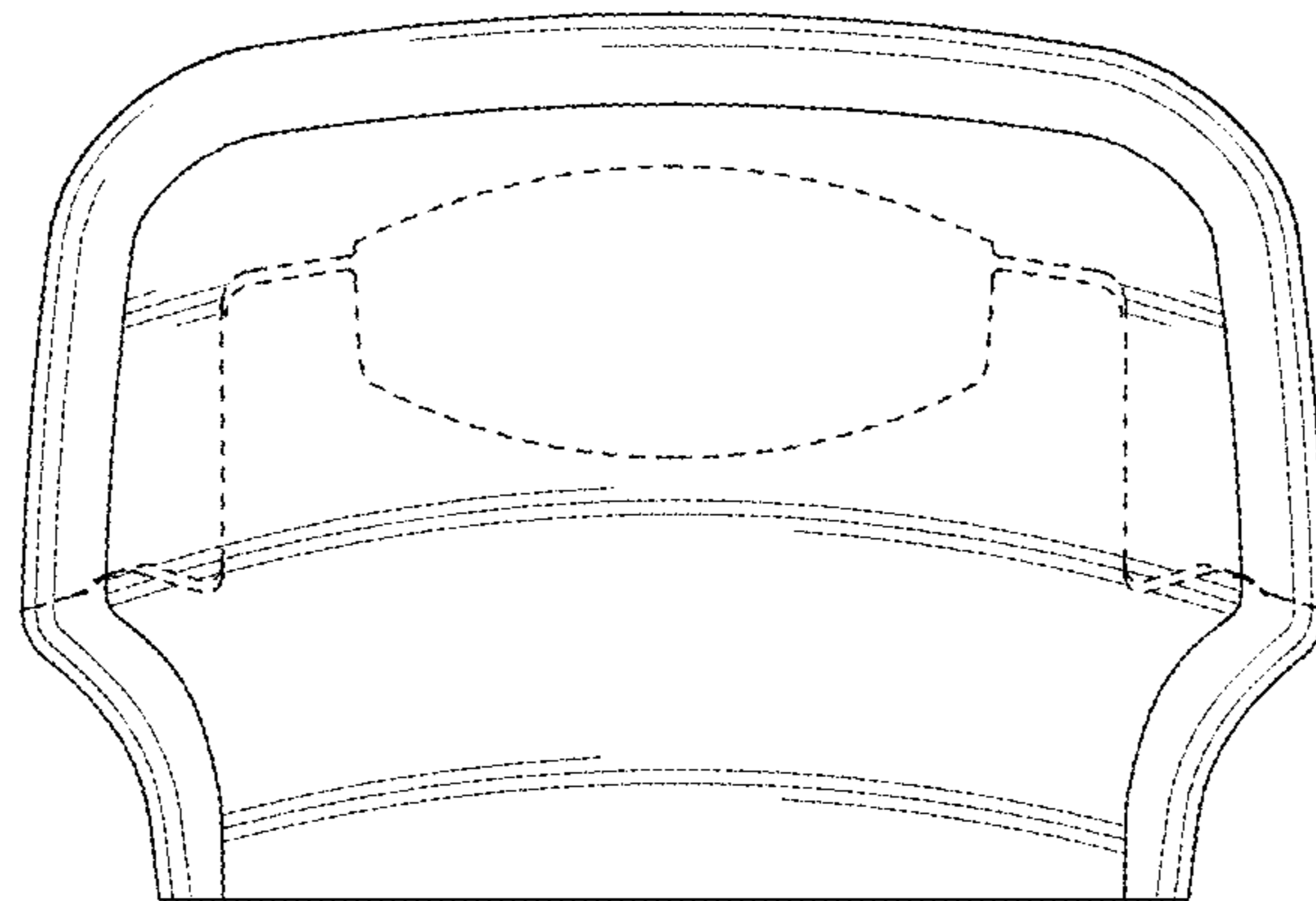
**FIG. 2**



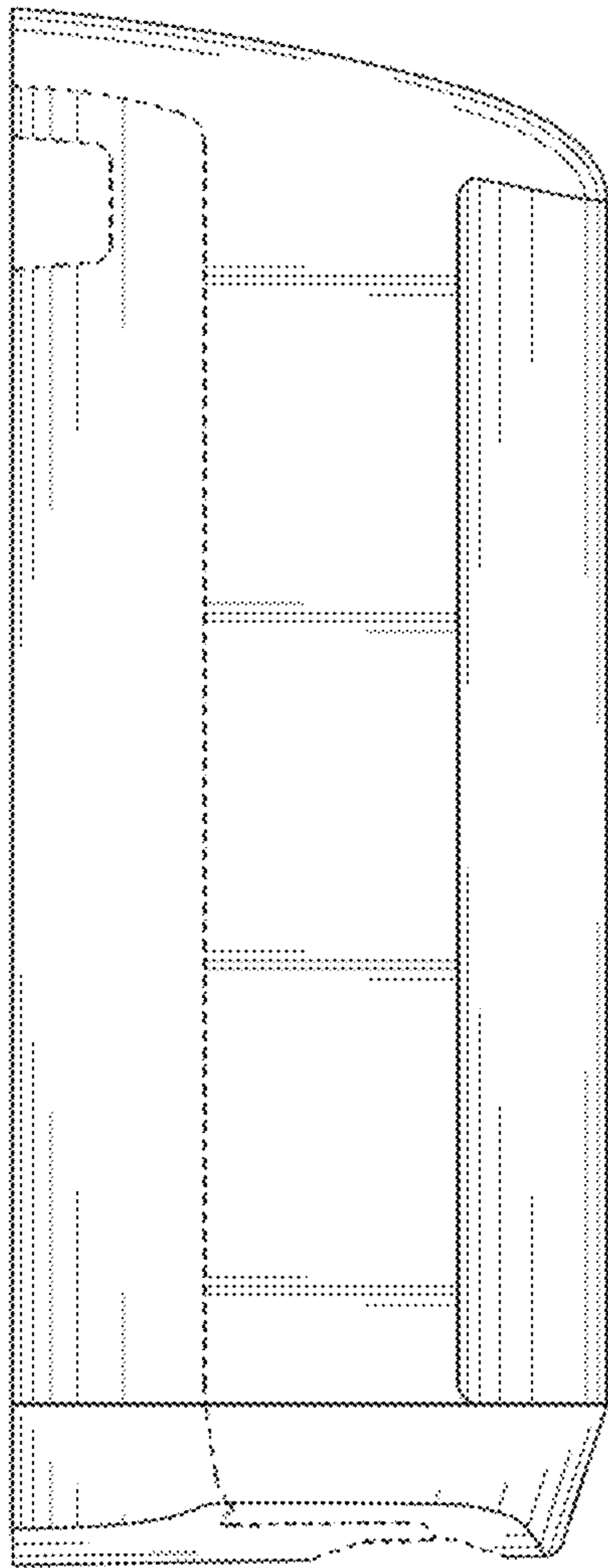
**FIG. 3**



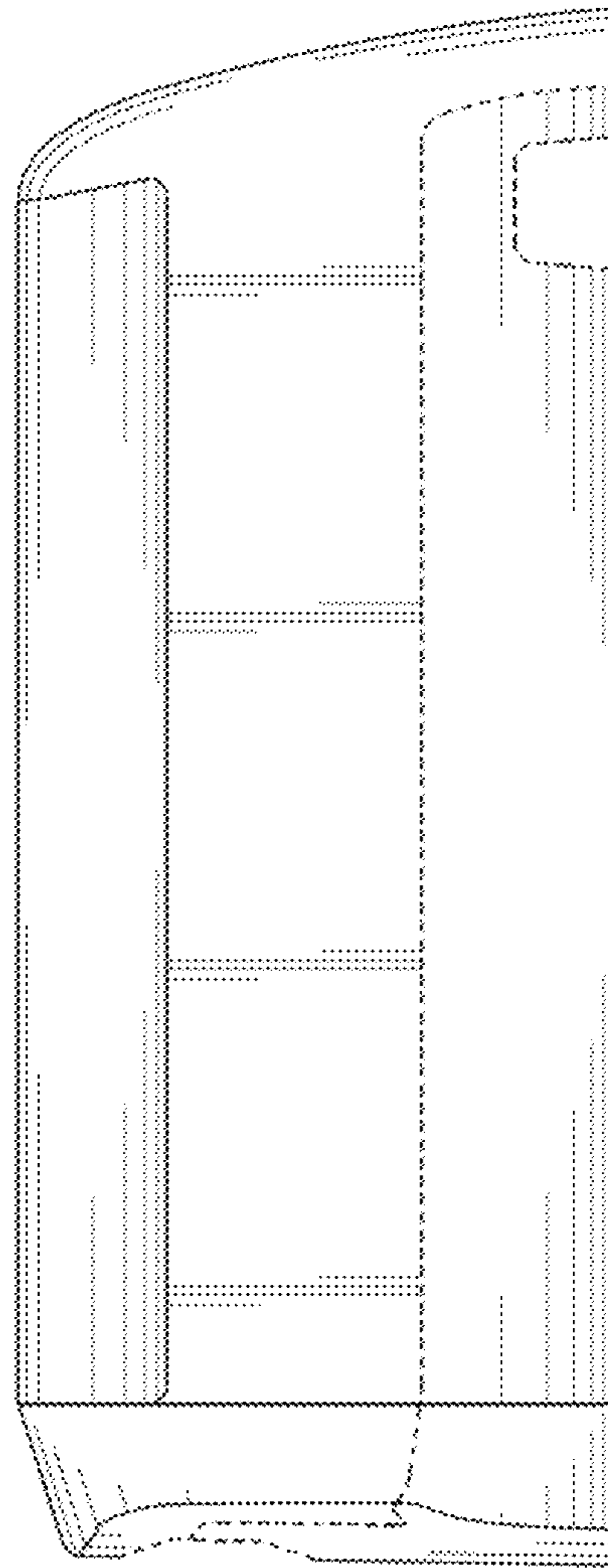
**FIG. 4**



**FIG. 5**



**FIG. 6**



**FIG. 7**