



US00D811769S

(12) **United States Design Patent**
Schmitz

(10) **Patent No.:** **US D811,769 S**

(45) **Date of Patent:** **** *Mar. 6, 2018**

(54) **UTILITY RACK**

(71) Applicant: **John G. Schmitz**, Villa Ridge, MO
(US)

(72) Inventor: **John G. Schmitz**, Villa Ridge, MO
(US)

(*) Notice: This patent is subject to a terminal disclaimer.

(**) Term: **15 Years**

(21) Appl. No.: **29/505,765**

(22) Filed: **Feb. 3, 2016**

(51) **LOC (11) Cl.** **06-08**

(52) **U.S. Cl.**
USPC **D6/533**

(58) **Field of Classification Search**
USPC D6/533, 552, 567, 574, 570; D11/46,
D11/143, 182; 211/13.1, 60.1, 65, 71.01,
211/74-75, 85.31, 85.5, 87.01, 94.01,
211/125, 168, 171, 170, 189, 193
CPC A47B 73/00; A47B 45/00; A47B 73/002;
A47F 5/0846; A47F 7/28; A47F 5/08;
A47F 7/00; A47F 5/0838; A47F 5/103;
B25H 3/04
See application file for complete search history.

(56) **References Cited**

U.S. PATENT DOCUMENTS

1,687,129 A * 10/1928 Henninger A47G 25/746
211/124
2,860,788 A * 11/1958 Hardman A47G 25/746
211/85.3

D215,859 S * 11/1969 Armstrong et al. D6/533
3,938,667 A * 2/1976 Buckland A47G 25/746
211/85.3
D291,154 S * 8/1987 Owen D6/317
D460,295 S * 7/2002 Fissell D32/58
D494,048 S * 8/2004 Goodman D8/372
D559,089 S * 1/2008 Goodman D8/372
D677,093 S * 3/2013 Benjamin D6/570
D747,895 S * 1/2016 Florek A47F 5/08
D6/552

* cited by examiner

Primary Examiner — Wan Laymon

Assistant Examiner — Mark Booker

(74) *Attorney, Agent, or Firm* — Paul M. Denk

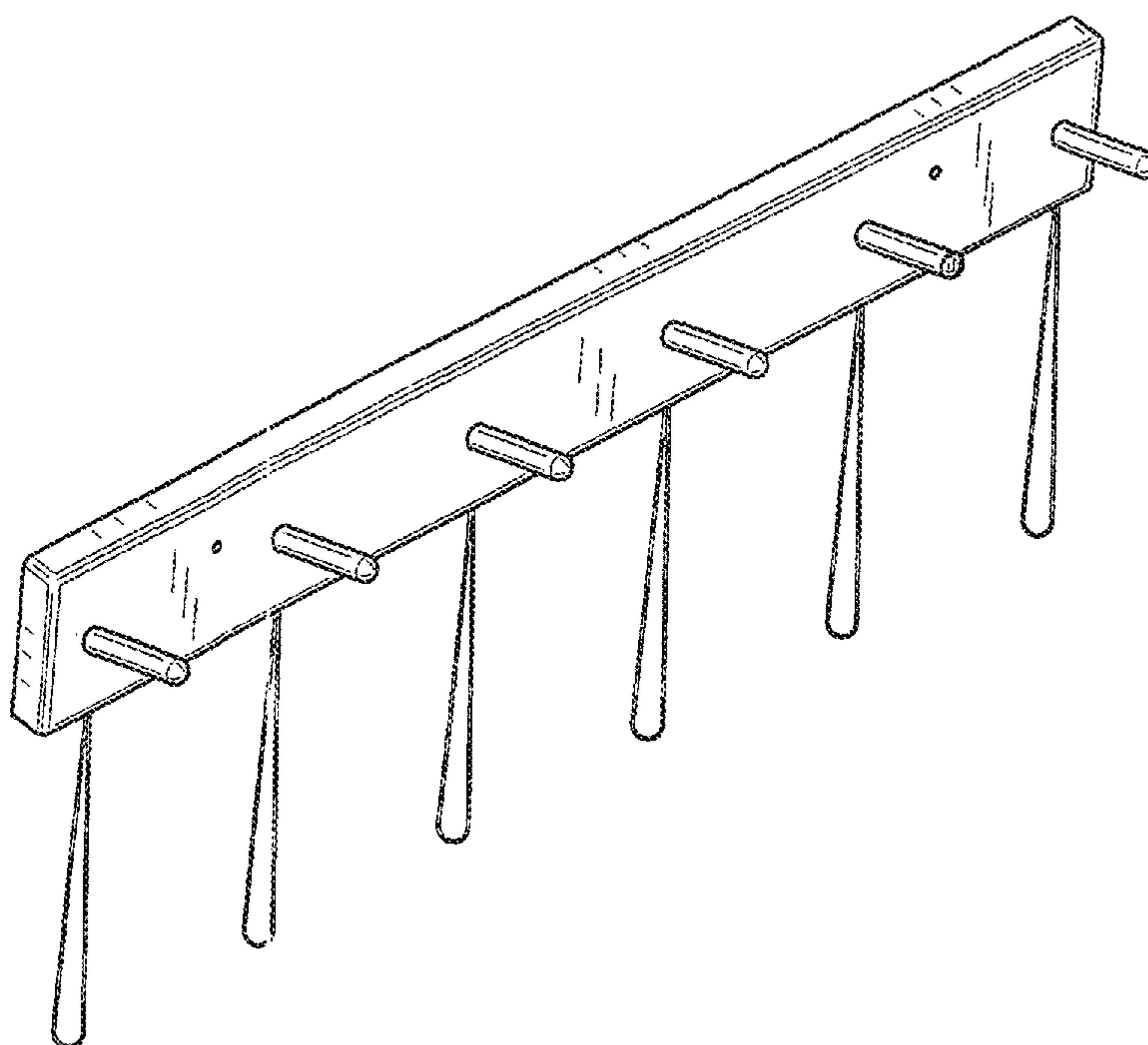
(57) **CLAIM**

The ornamental design for a utility rack, as shown and described.

DESCRIPTION

FIG. 1 is a isometric view of the utility rack of this invention;
FIG. 2 is a left end view, the right end view being a mirror image thereof;
FIG. 3 is a top view;
FIG. 4 is a front view;
FIG. 5 is a back view; and,
FIG. 6 is a bottom view of the utility rack.

1 Claim, 3 Drawing Sheets



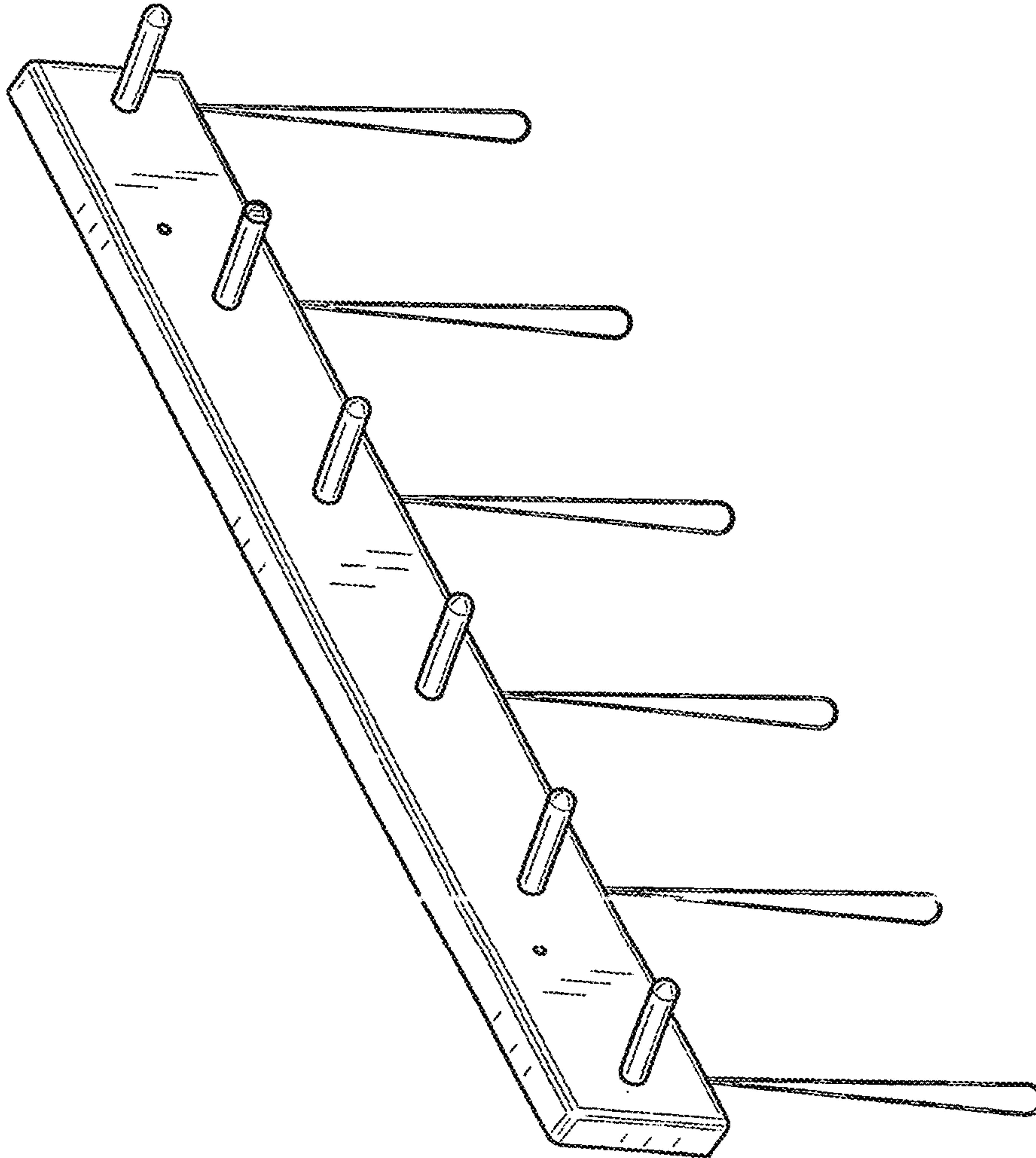


FIG. 1

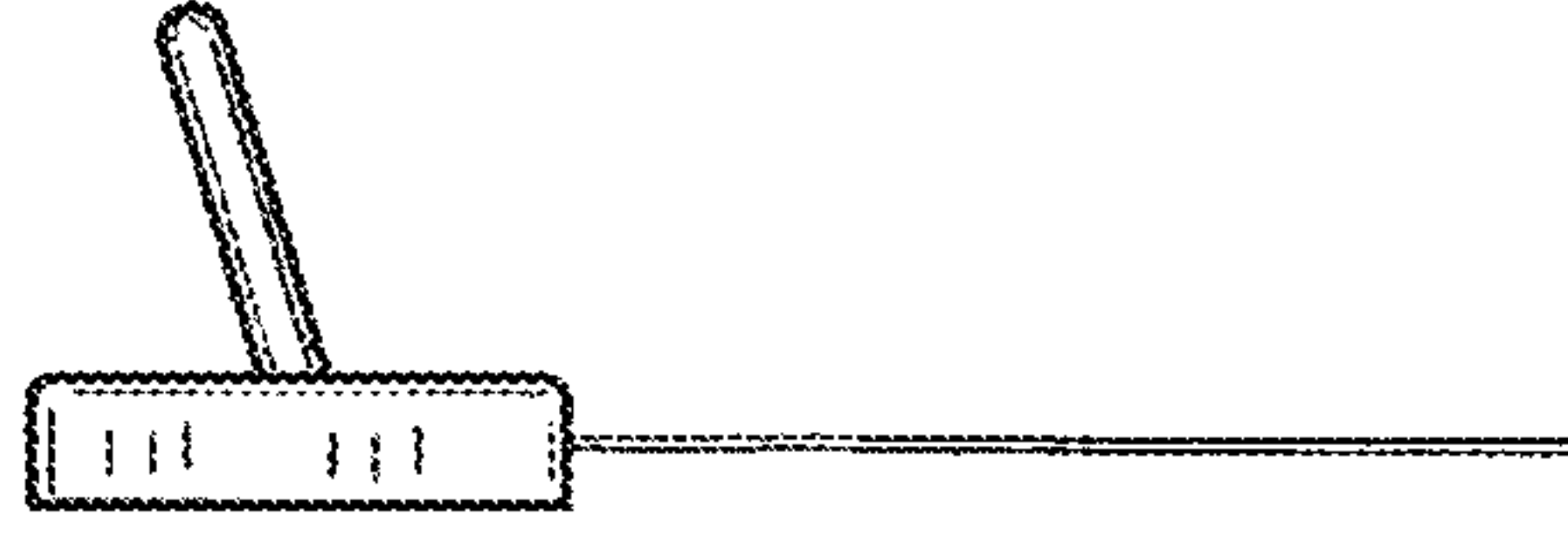


FIG. 2

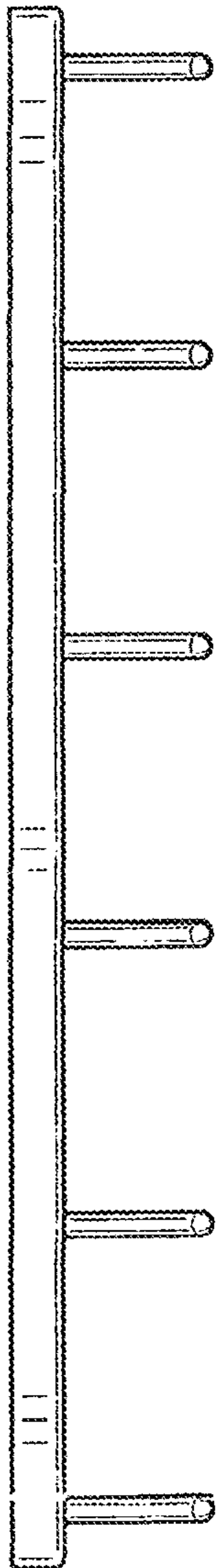


FIG. 3

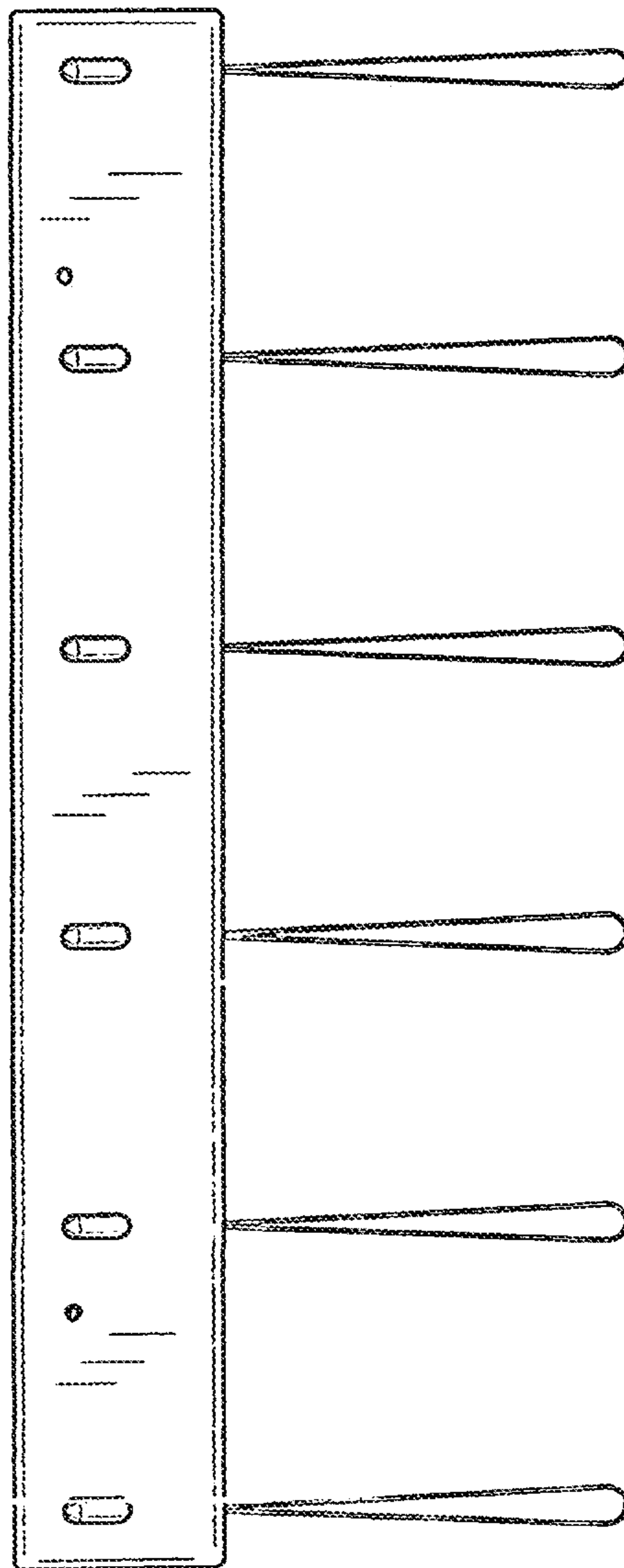


FIG. 4

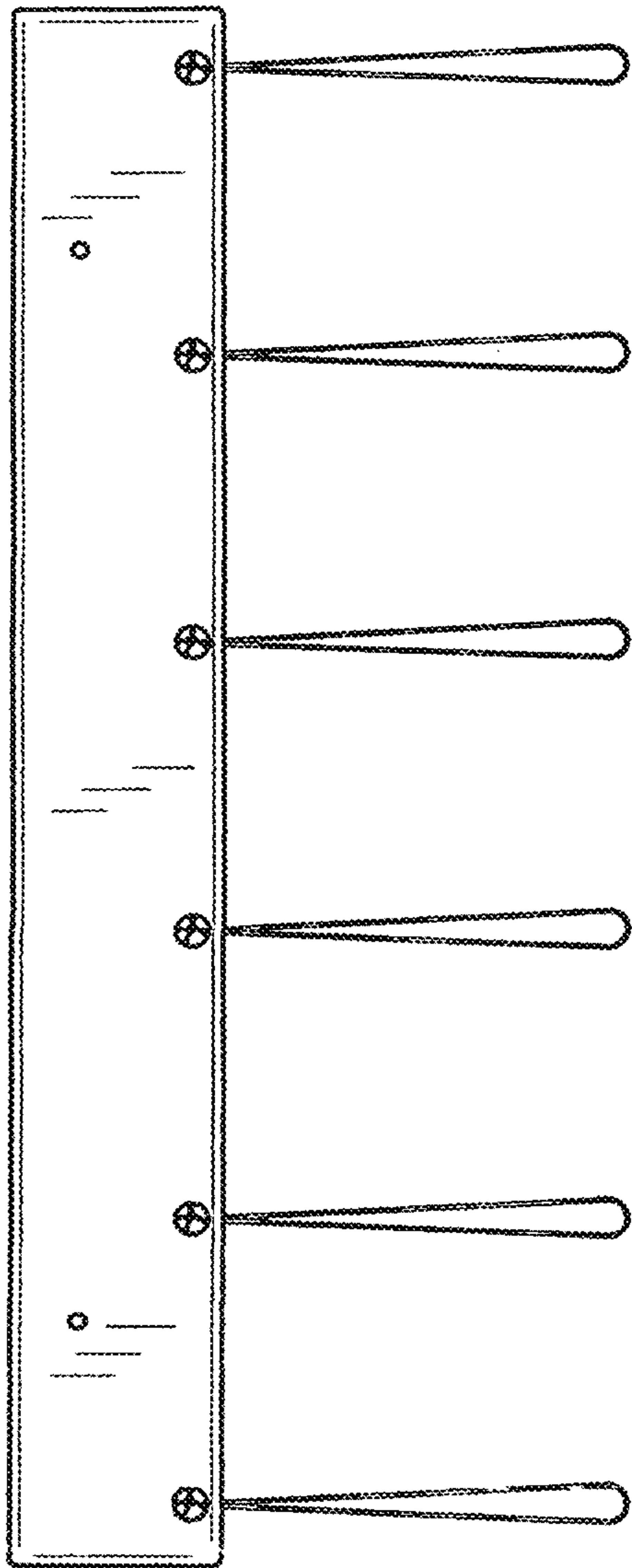


FIG. 5

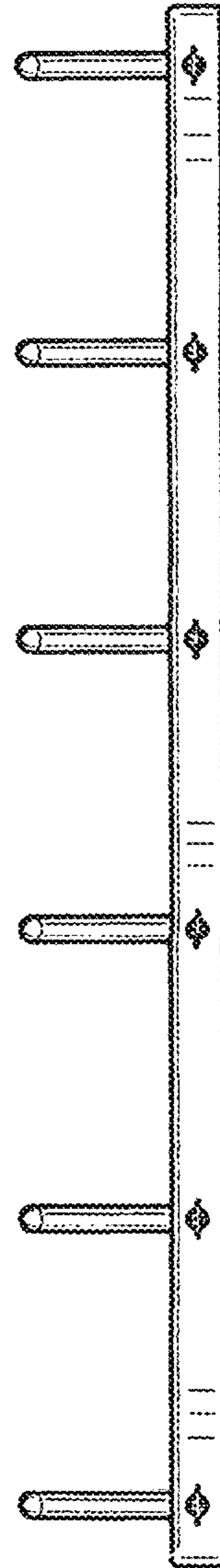


FIG. 6