



US00D811768S

(12) **United States Design Patent**
Snell

(10) **Patent No.:** **US D811,768 S**
(45) **Date of Patent:** **** Mar. 6, 2018**

(54) **DISPENSER**

(71) Applicant: **InterDesign, Inc.**, Solon, OH (US)

(72) Inventor: **Russell Benton Snell**, Bentleyville, OH (US)

(73) Assignee: **InterDesign, Inc.**, Solon, OH (US)

(**) Term: **15 Years**

(21) Appl. No.: **29/546,621**

(22) Filed: **Nov. 24, 2015**

Related U.S. Application Data

(63) Continuation of application No. 29/423,096, filed on May 29, 2012, now Pat. No. Des. 746,643.

(51) **LOC (11) Cl.** **23-02**

(52) **U.S. Cl.**
USPC **D6/530**

(58) **Field of Classification Search**

USPC D6/530, 524, 525, 536, 540, 553, 566;
211/13.1, 16, 60.1, 86.01, 87.01, 88.01,
211/88.04, 100, 105.1, 105.2, 123, 181.1,
211/182; D3/315; D32/55

CPC A47K 17/00; A47K 3/281; A47K 3/001;
A47K 5/00; B23P 17/04; A47B 57/265;
A47B 57/565; A47B 57/26; A47J 47/16;
A47J 47/20

See application file for complete search history.

(56) **References Cited**

U.S. PATENT DOCUMENTS

D285,993 S	*	10/1986	Genna	D6/515
D341,973 S	*	12/1993	Gerstmar	D6/524
D414,362 S	*	9/1999	Olmos	D6/525
D462,553 S	*	9/2002	Gerstmar	D6/528
D475,563 S	*	6/2003	Gerstmar	D6/531

D486,336 S	*	2/2004	Snell	D6/542
D531,844 S	*	11/2006	Snell	D6/542
D551,002 S	*	9/2007	Snell	D6/525
D556,407 S	*	11/2007	Snell	D19/75
D559,600 S	*	1/2008	Snell	D6/542
D563,704 S	*	3/2008	Snell	D6/542
D642,840 S	*	8/2011	Dretzka	D6/542
D796,226 S	*	9/2017	Joseph	D6/530

OTHER PUBLICATIONS

amazon.com, mDesign Soap Dispenser Pump with Sponge and Scrubber Caddy Organizer for Kitchen Countertops, Mar. 4, 2017, <https://www.amazon.com/mDesign-Dispenser-Scrubber-Organizer-Countertops/dp/B01NBYFS5T> (Year: 2017).*

* cited by examiner

Primary Examiner — David G Muller

Assistant Examiner — Nathan M Johnston

(74) *Attorney, Agent, or Firm* — Calfee, Halter & Griswold, LLP

(57) **CLAIM**

I claim the ornamental design for a dispenser, as shown and described.

DESCRIPTION

FIG. 1 is a front/right/top perspective view of a dispenser showing my new design;

FIG. 2 is a rear/right/bottom perspective view thereof;

FIG. 3 is a front elevation view thereof;

FIG. 4 is a right side elevation view thereof;

FIG. 5 is a left side elevation view thereof;

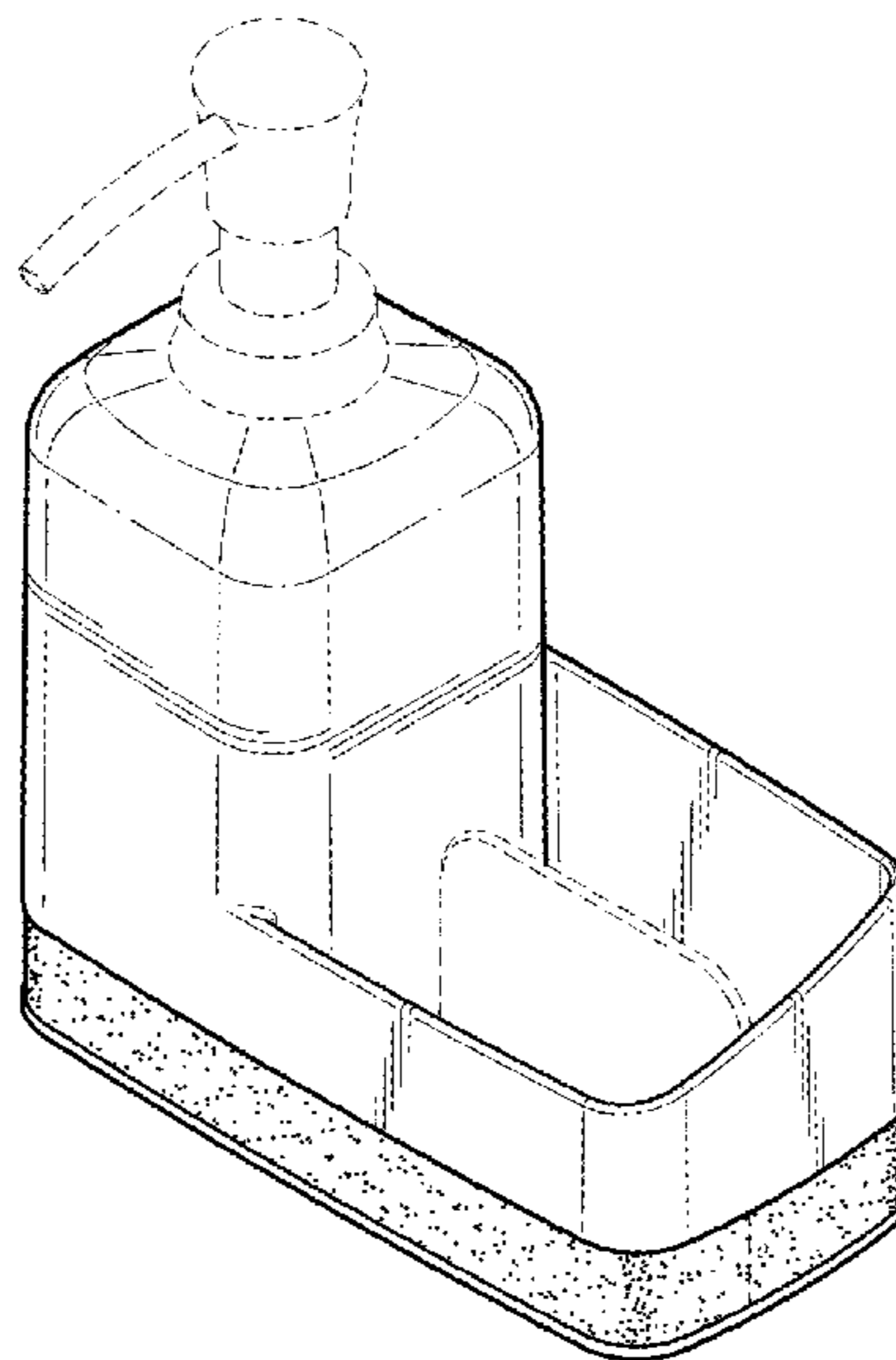
FIG. 6 is a top plan view thereof; and,

FIG. 7 is a bottom plan view thereof.

The stippling represents a contrast in color.

The broken lines form no part of the claimed design.

1 Claim, 3 Drawing Sheets



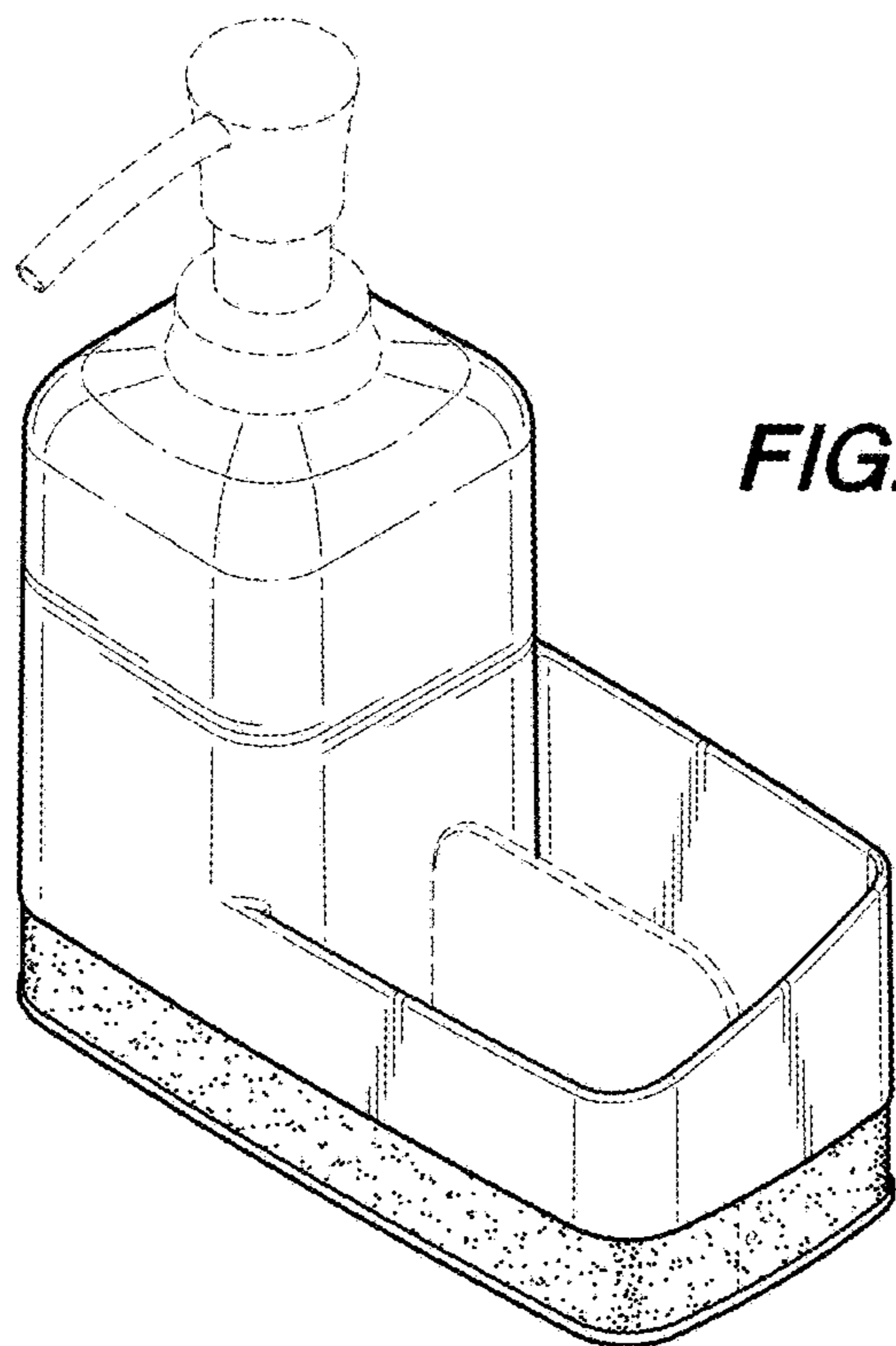


FIG. 1

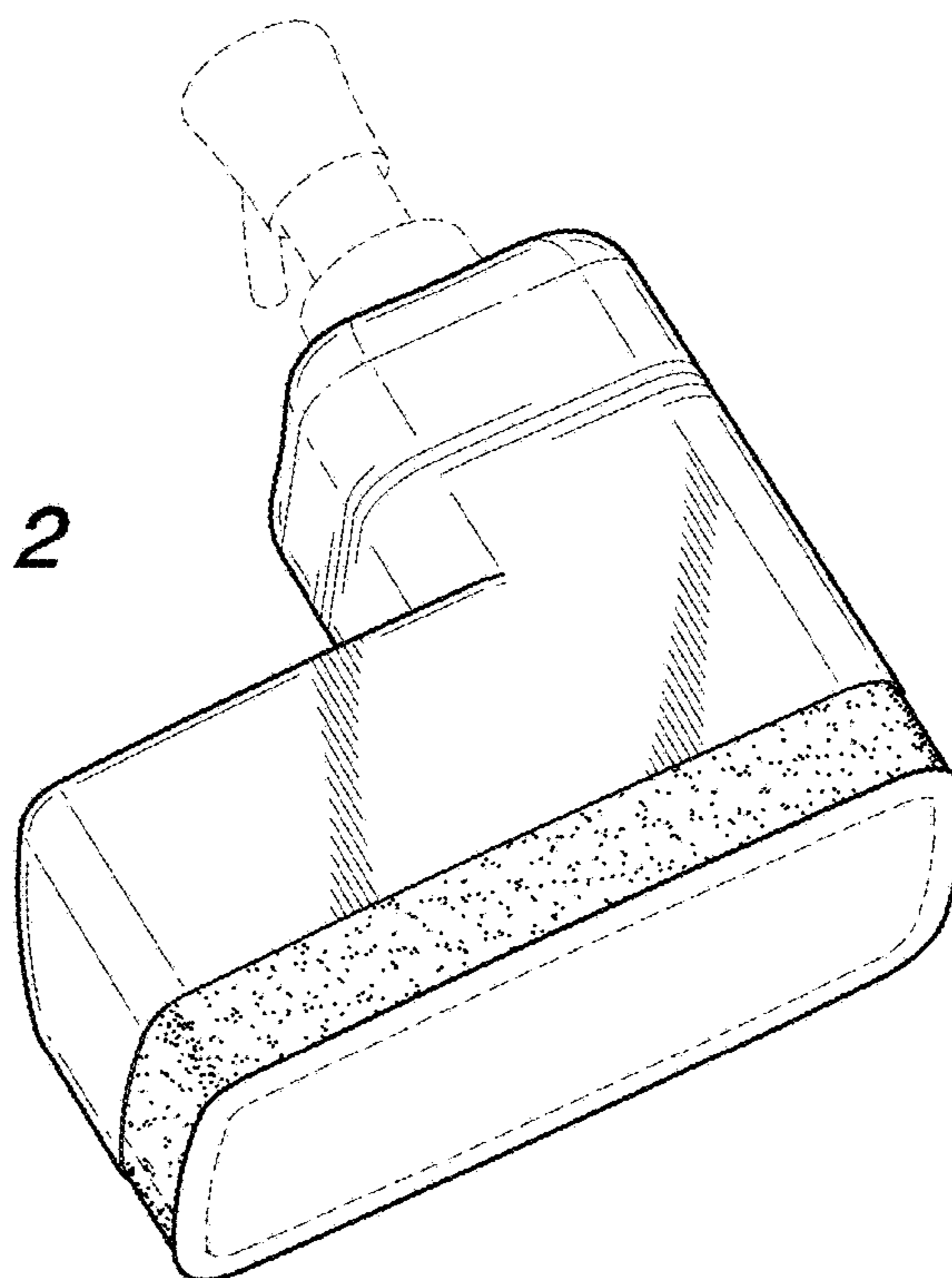


FIG. 2

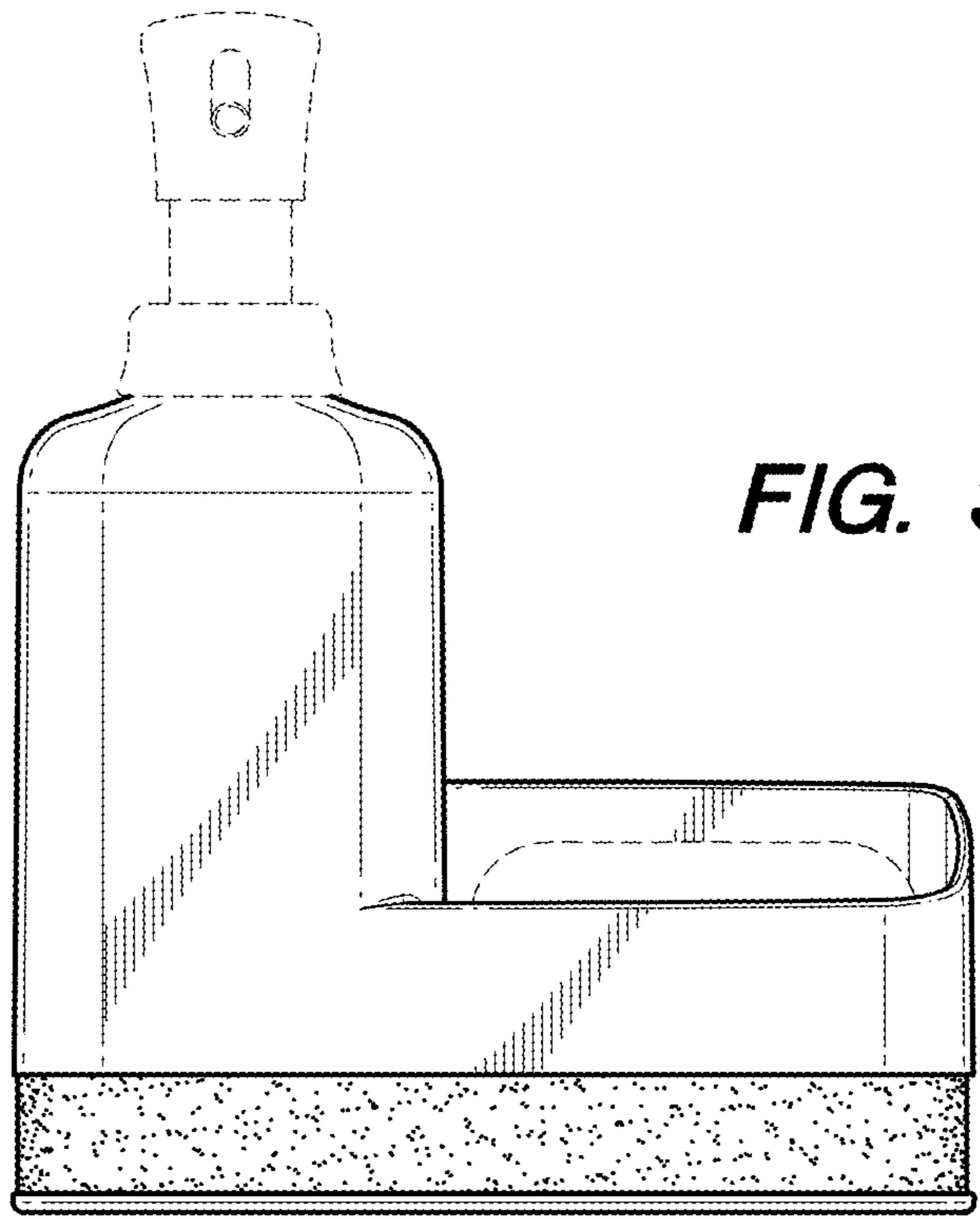


FIG. 3

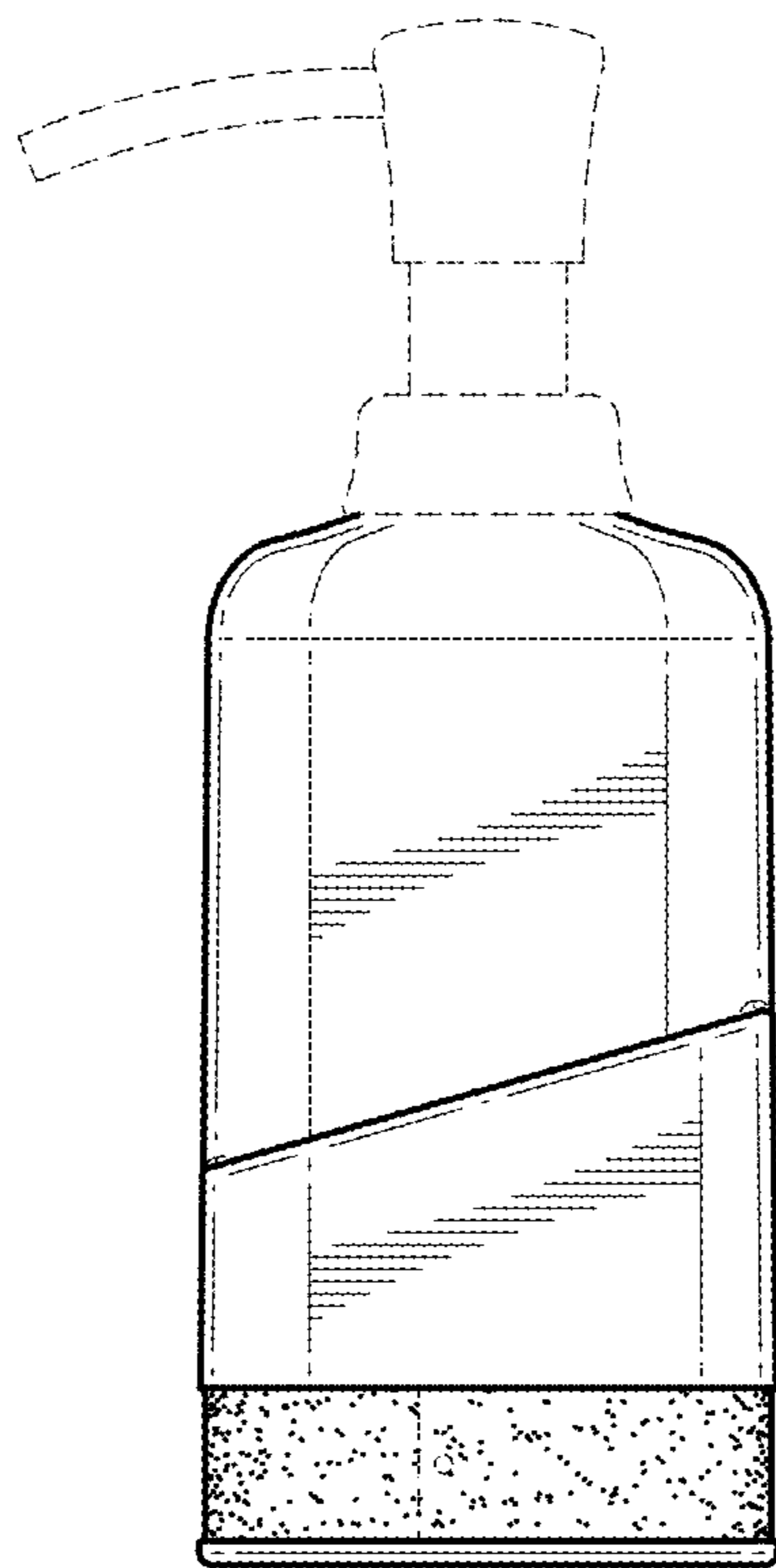


FIG. 4

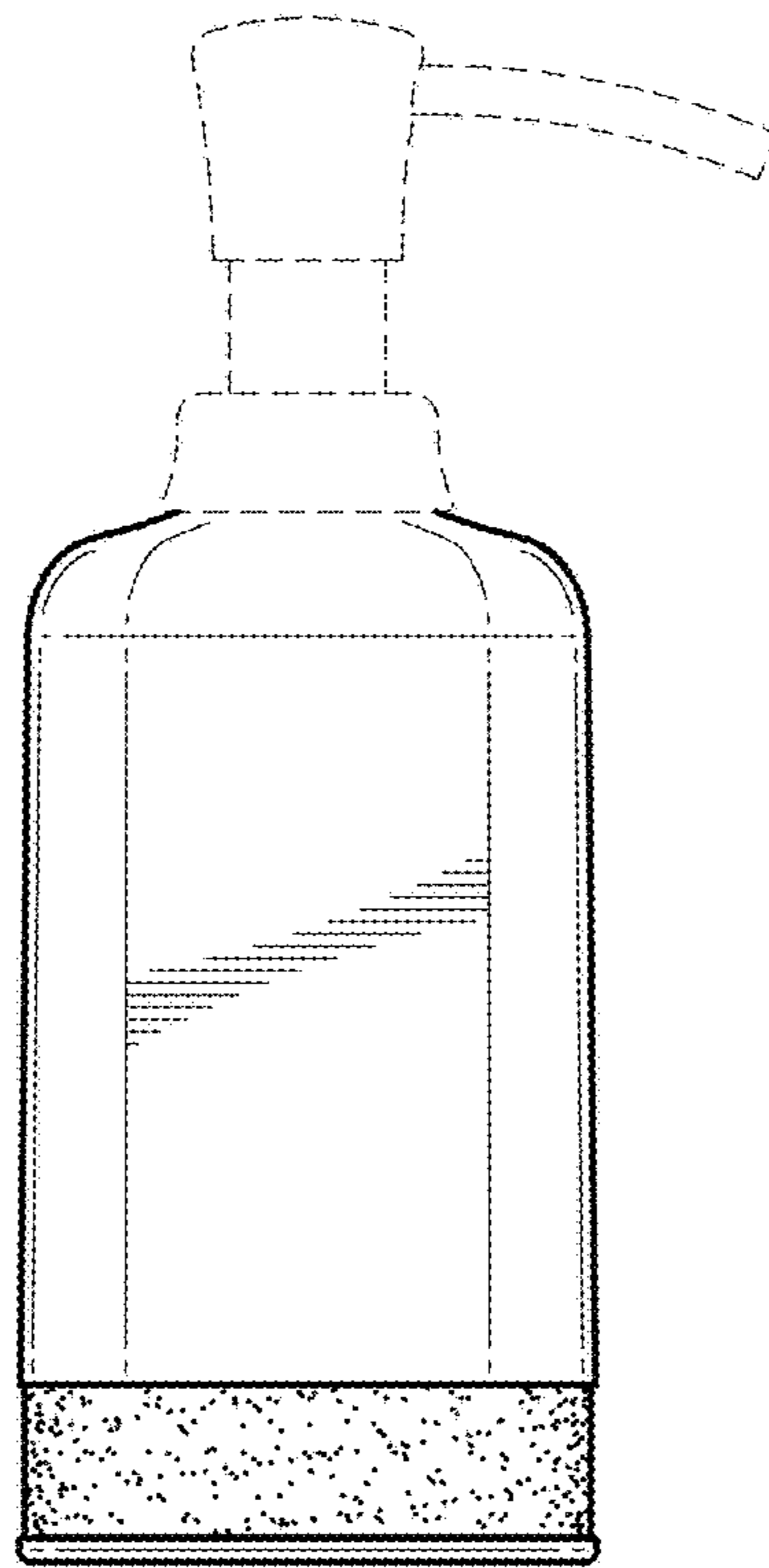


FIG. 5

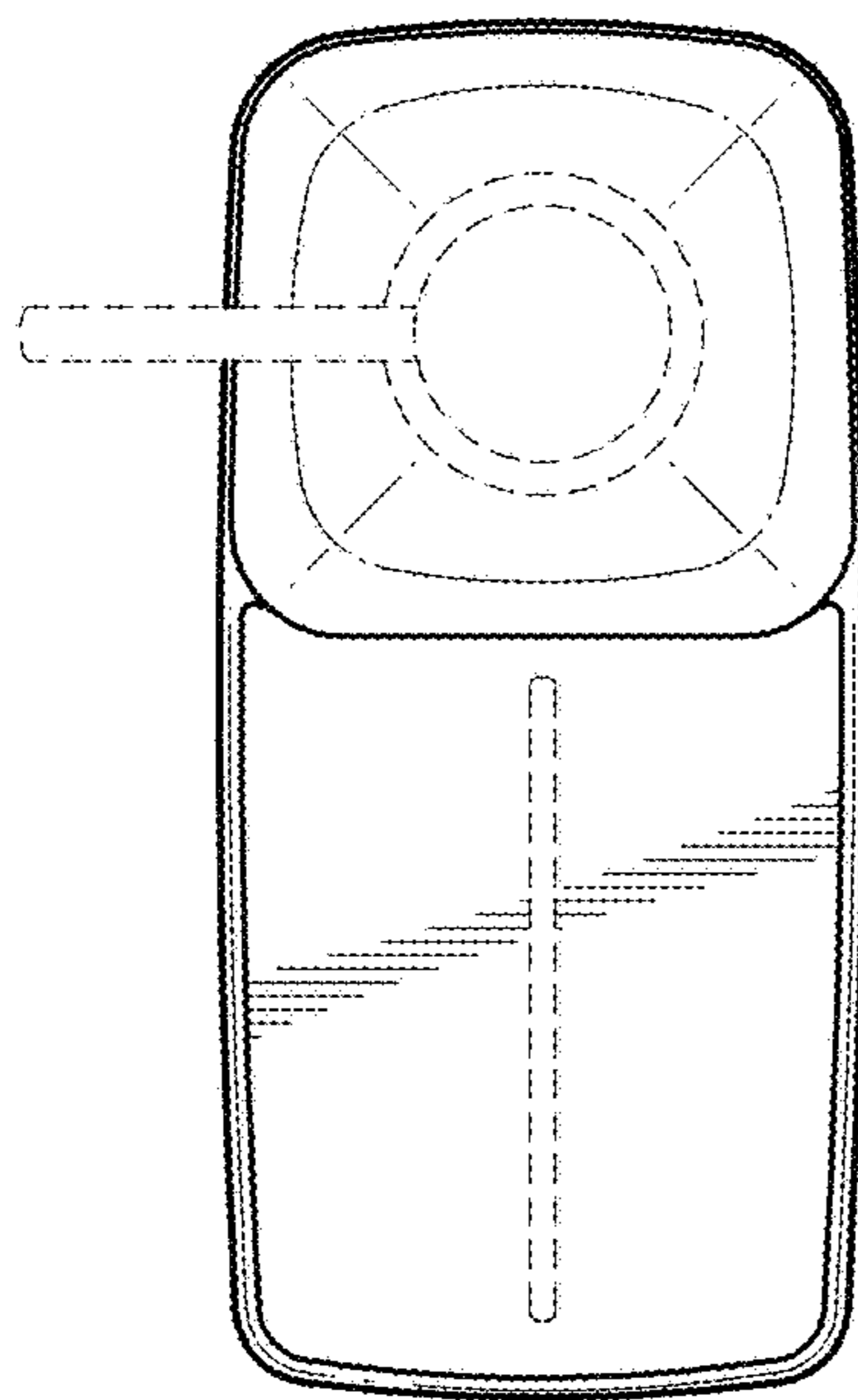


FIG. 6

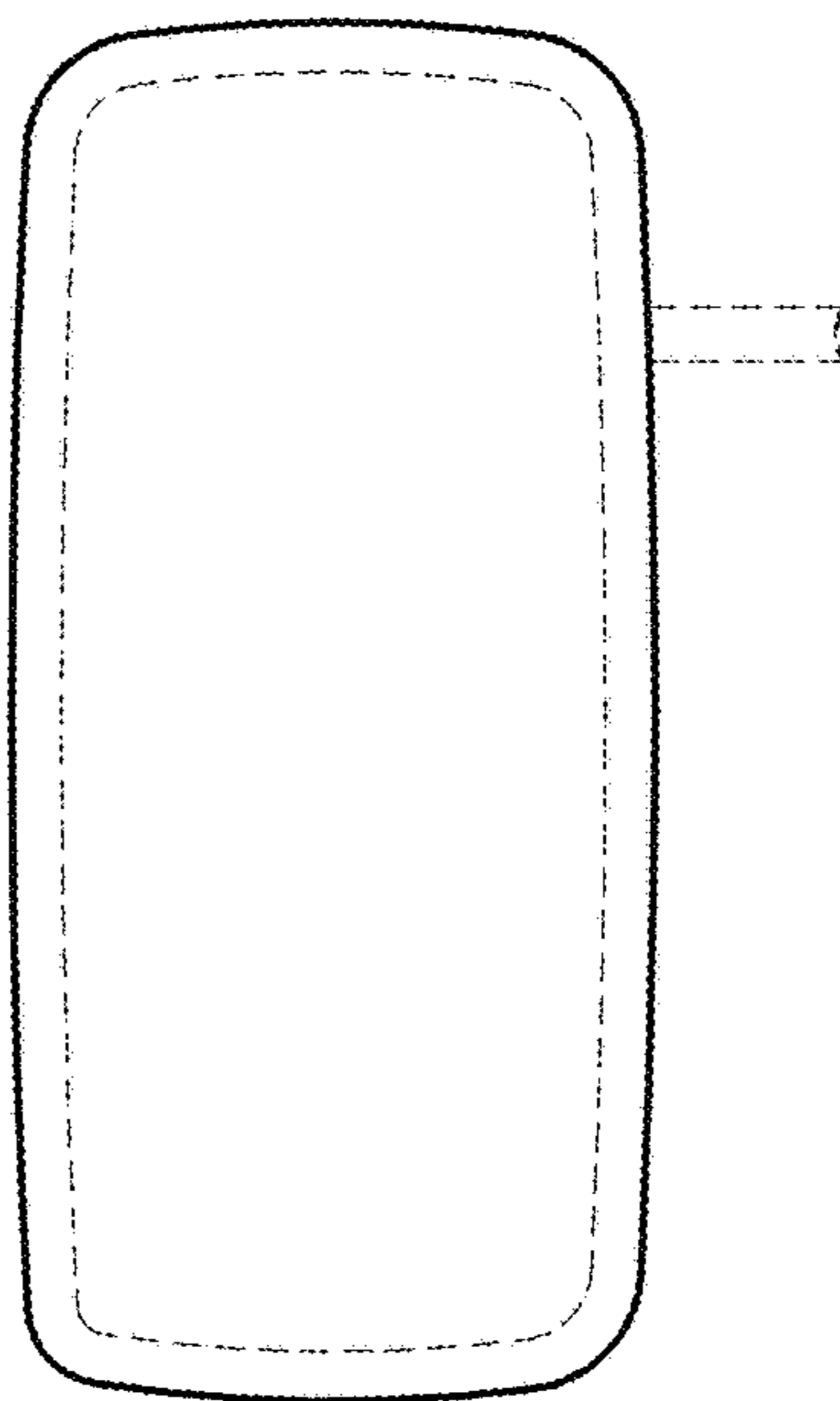


FIG. 7