



US00D811767S

(12) **United States Design Patent**  
**Li**

(10) **Patent No.:** **US D811,767 S**  
(45) **Date of Patent:** **\*\* Mar. 6, 2018**

- (54) **TISSUE BOX**
- (71) Applicant: **IMMANUEL INDUSTRIAL CO., LTD.**, Tainan (TW)
- (72) Inventor: **Kun-Yi Li**, Tainan (TW)
- (73) Assignee: **Immanuel Industrial Co., Ltd.**, Tainan (TW)
- (\*\*) Term: **15 Years**
- (21) Appl. No.: **29/597,213**
- (22) Filed: **Mar. 15, 2017**
- (51) **LOC (11) Cl.** ..... **20-02**
- (52) **U.S. Cl.**  
USPC ..... **D6/518**
- (58) **Field of Classification Search**  
USPC ..... D6/518-524, 546-550; 108/28-29;  
211/13.1, 16, 60.1, 86.01, 87.01, 88.01,  
211/88.04, 100, 105.1, 105.2, 123, 181.1,  
211/182; 248/175, 176.1, 251, 302;  
16/110.1, 415; 242/570, 590, 595-598,  
242/597.7; D8/300, 303, 315-321;  
220/216  
CPC ..... A47K 10/38; A47K 2010/3266; A47K  
2010/3253; A47K 10/421; B65D 83/0805  
See application file for complete search history.

D460,891 S *	7/2002	Ong	.....	D6/518
D461,666 S *	8/2002	Ong	.....	D6/518
D466,345 S *	12/2002	Ong	.....	D6/518
D474,056 S *	5/2003	Mandell	.....	D6/518
7,185,865 B1 *	3/2007	Patrick	.....	A47K 10/185 211/71.01
D594,754 S *	6/2009	Dretzka	.....	D6/518
D611,744 S *	3/2010	Mayer	.....	D6/518
D631,268 S *	1/2011	Yang	.....	D6/518
D669,678 S *	10/2012	Legreca	.....	D3/205
D669,714 S *	10/2012	Legreca	.....	D6/518
D785,365 S *	5/2017	Newlin	.....	D6/526

\* cited by examiner

*Primary Examiner* — David G Muller  
*Assistant Examiner* — Nathan M Johnston  
(74) *Attorney, Agent, or Firm* — Rosenberg, Klein & Lee

(57) **CLAIM**

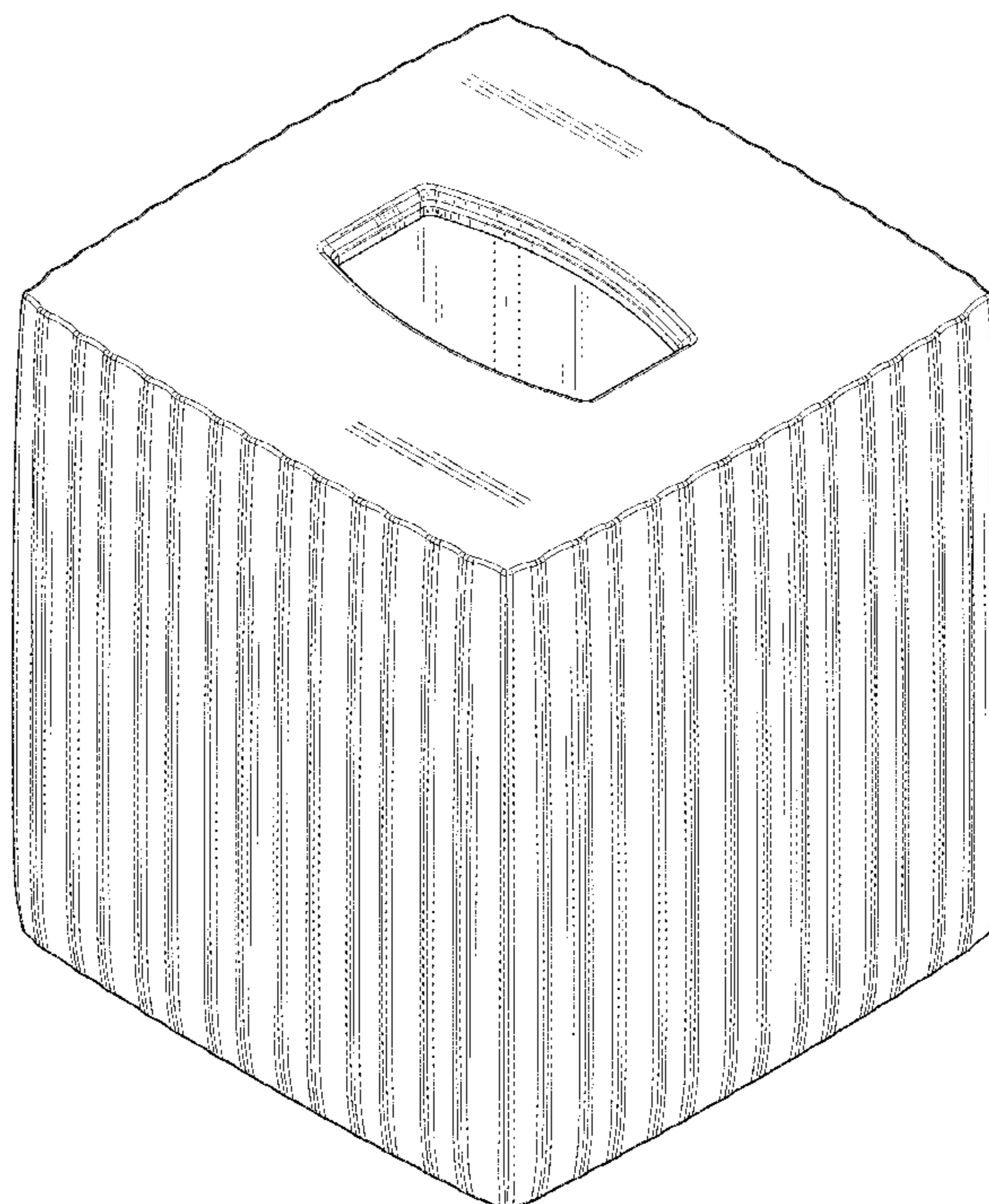
The ornamental design for a tissue box, as shown and described.

**DESCRIPTION**

FIG. 1 is a perspective view of my new design for a tissue box;  
FIG. 2 is a front view thereof;  
FIG. 3 is a rear view thereof;  
FIG. 4 is a left view thereof;  
FIG. 5 is a right view thereof;  
FIG. 6 is a top plan view thereof;  
FIG. 7 is a bottom plan view thereof; and,  
FIG. 8 is another perspective view thereof.

**1 Claim, 8 Drawing Sheets**

- (56) **References Cited**  
U.S. PATENT DOCUMENTS  
D390,391 S \* 2/1998 Hsu ..... D6/518  
D460,649 S \* 7/2002 Ong ..... D6/518



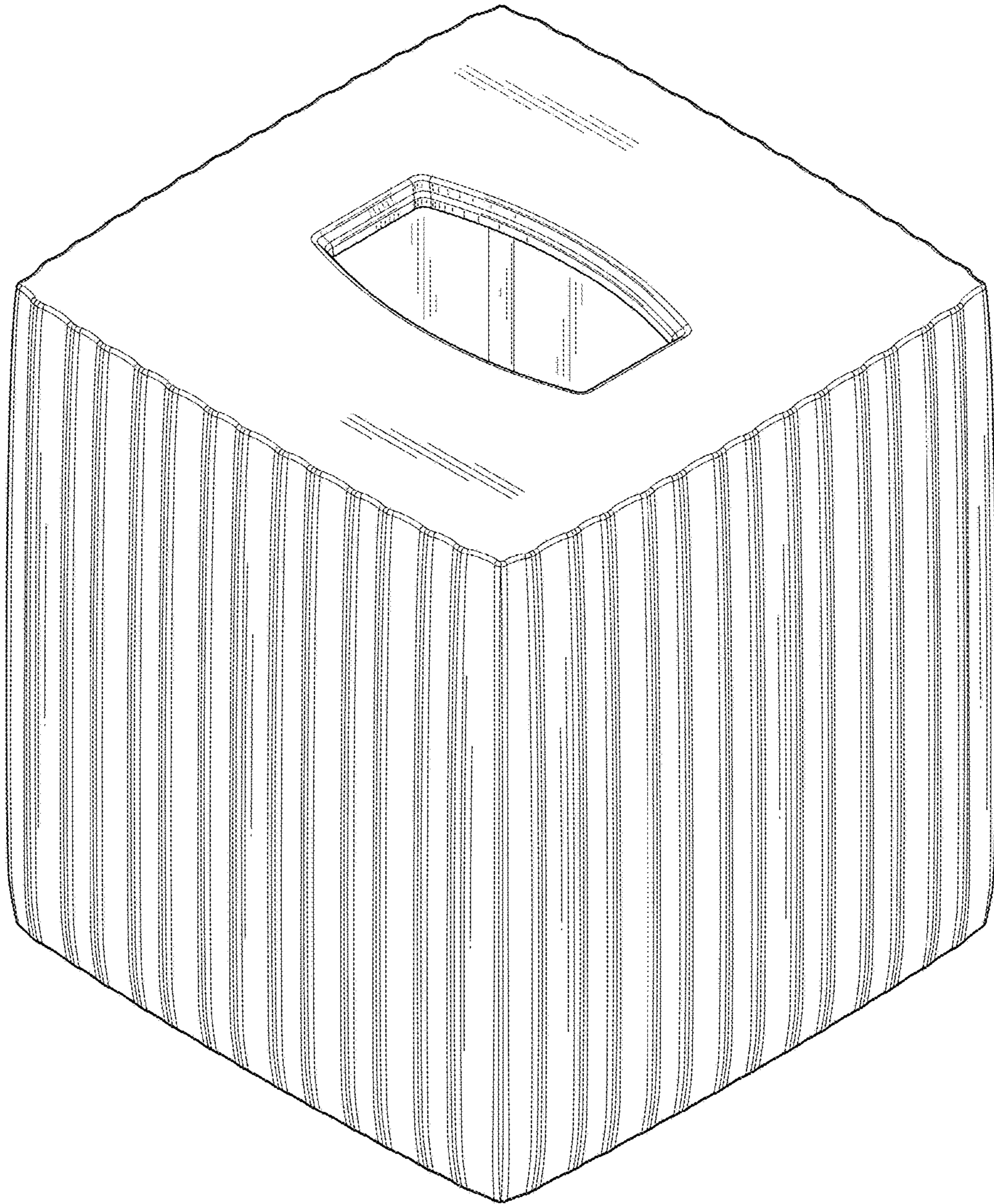


FIG. 1

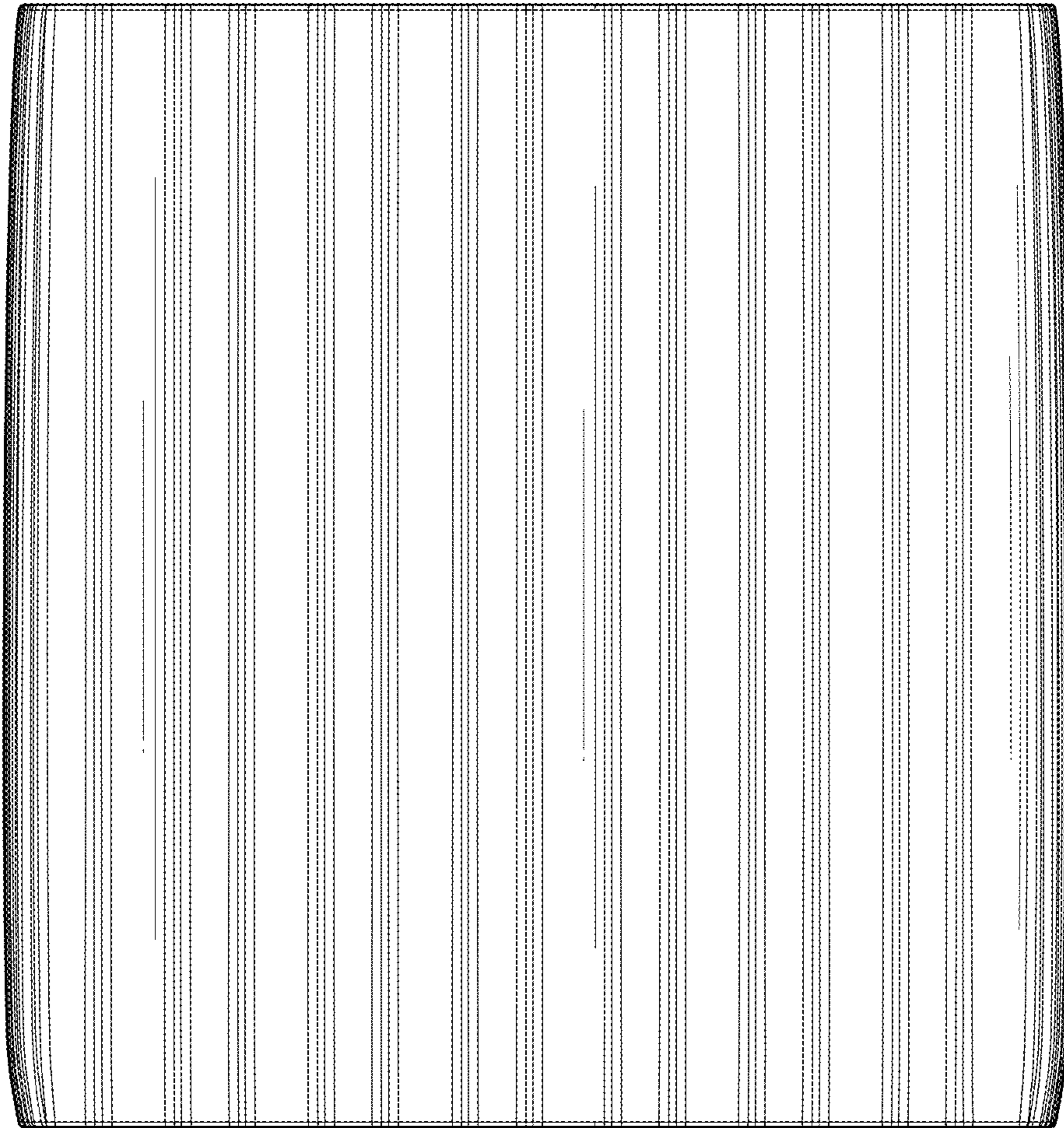


FIG. 2

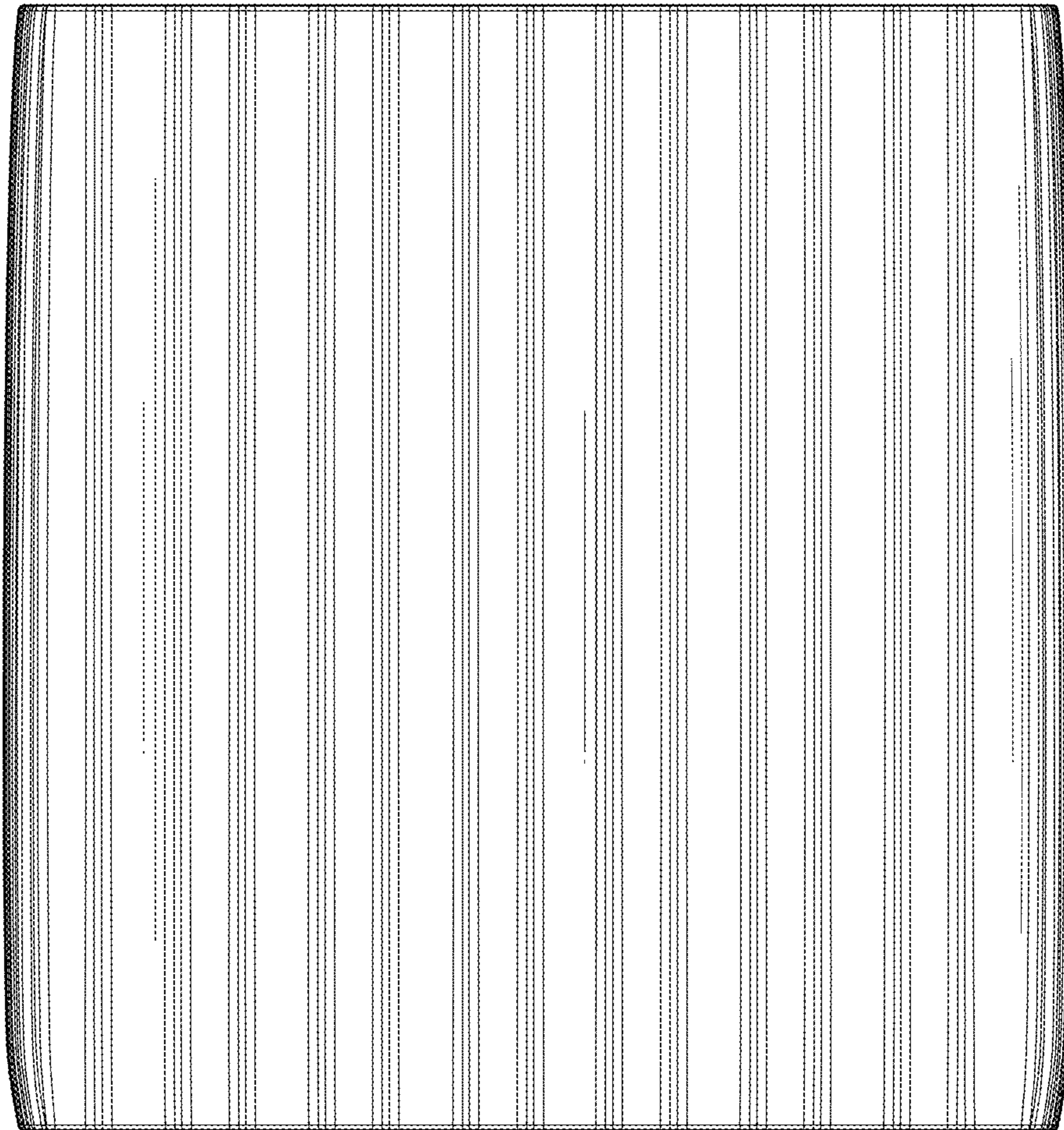


FIG. 3

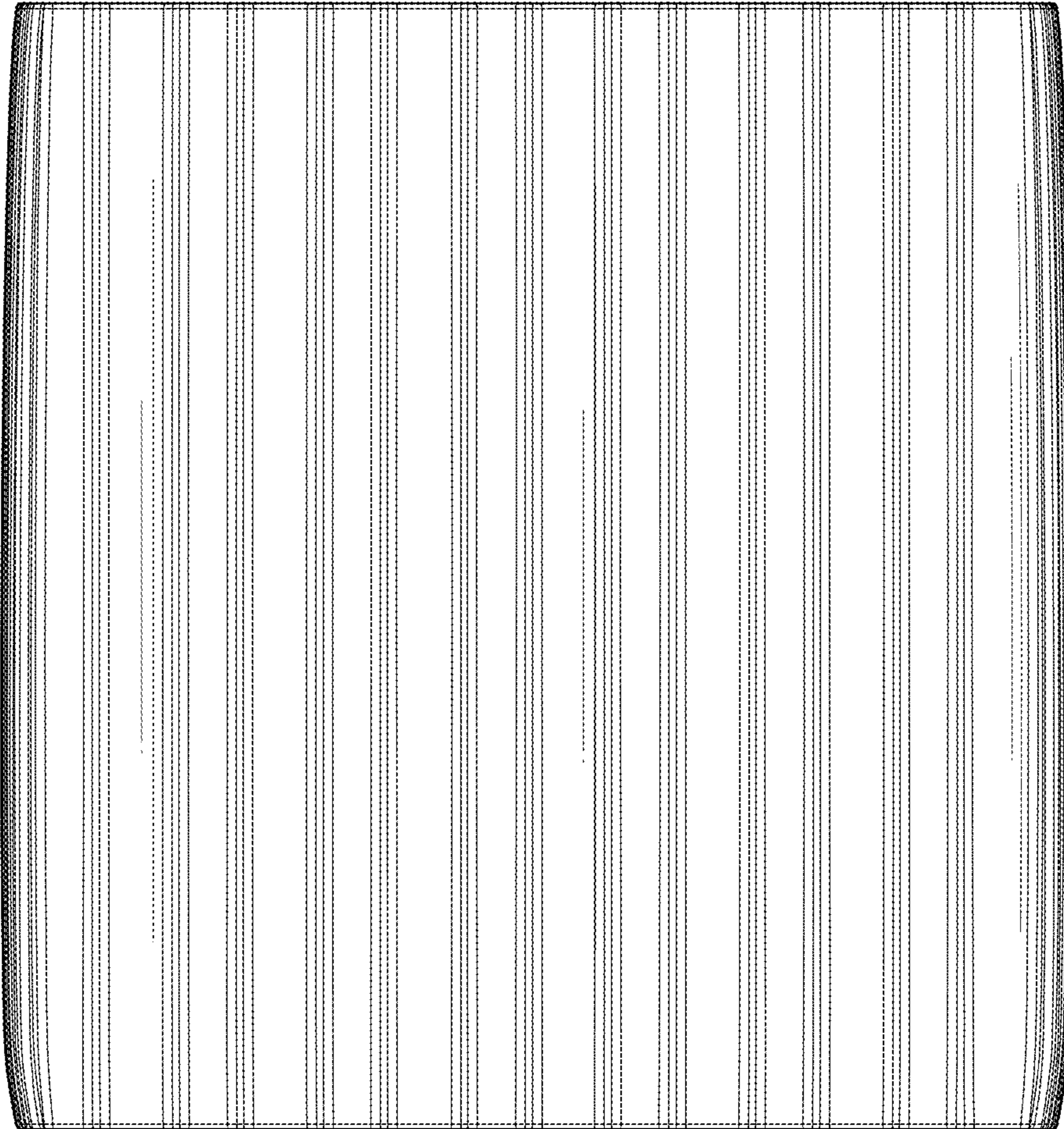


FIG. 4

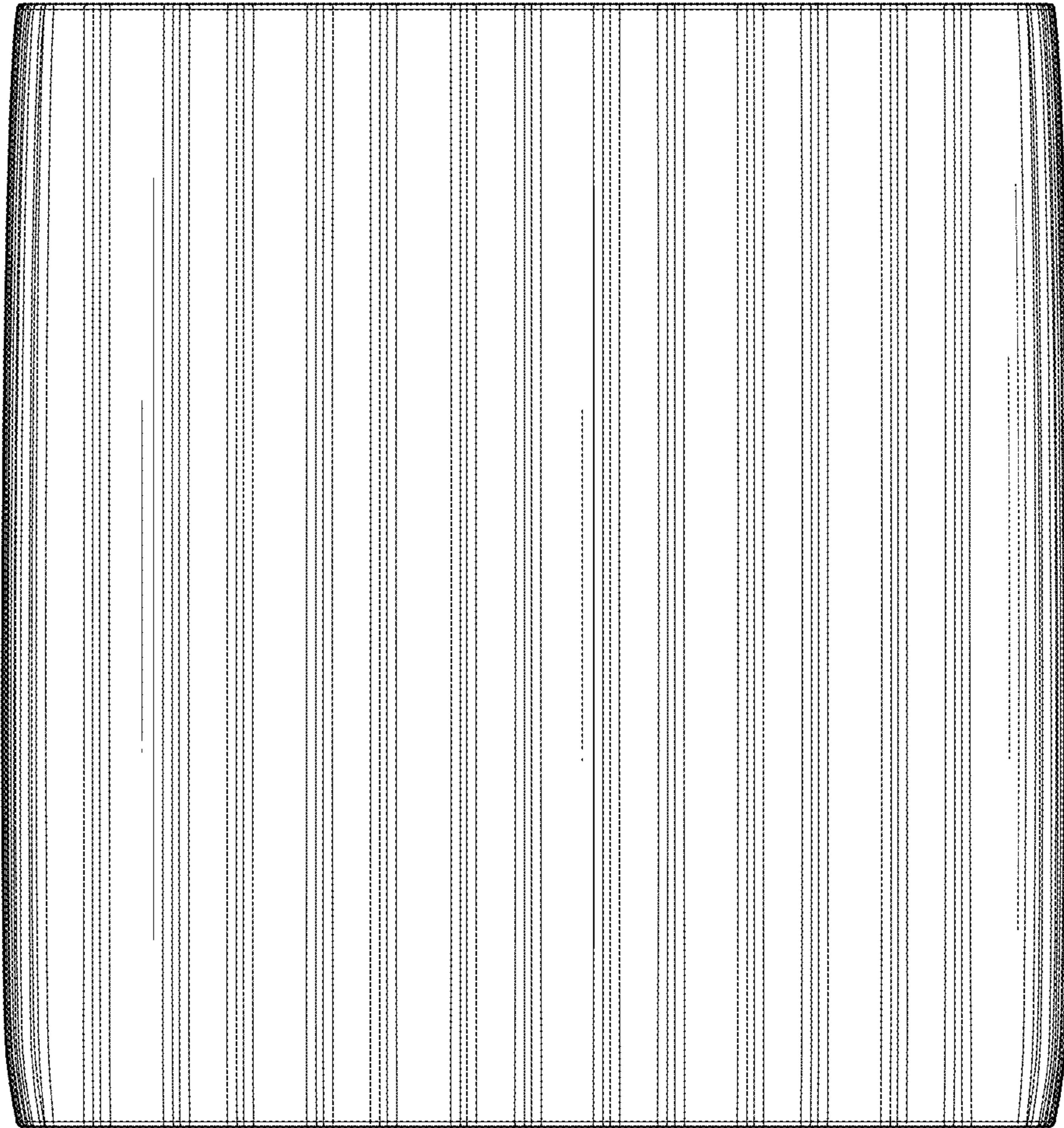


FIG. 5

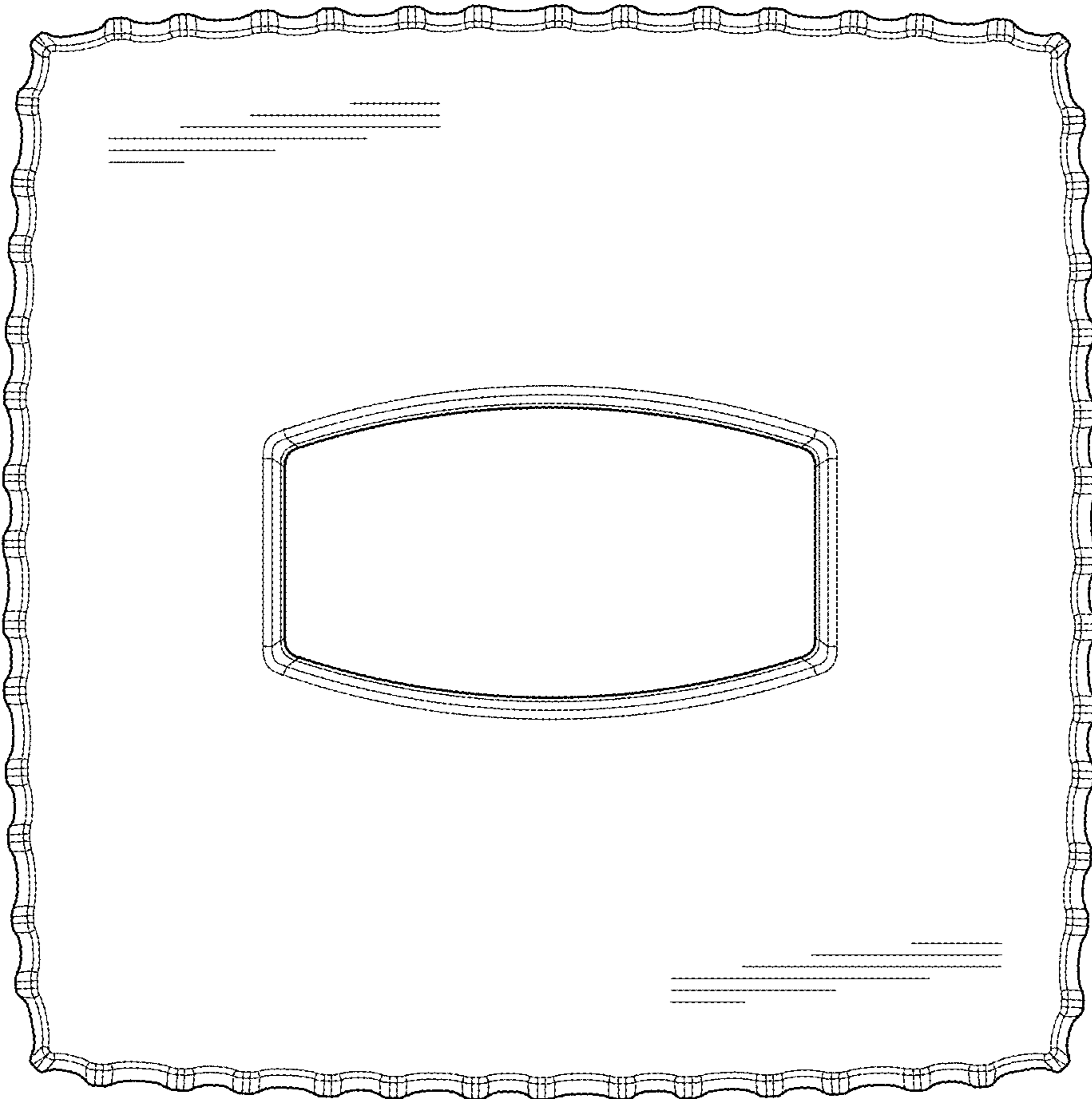


FIG . 6

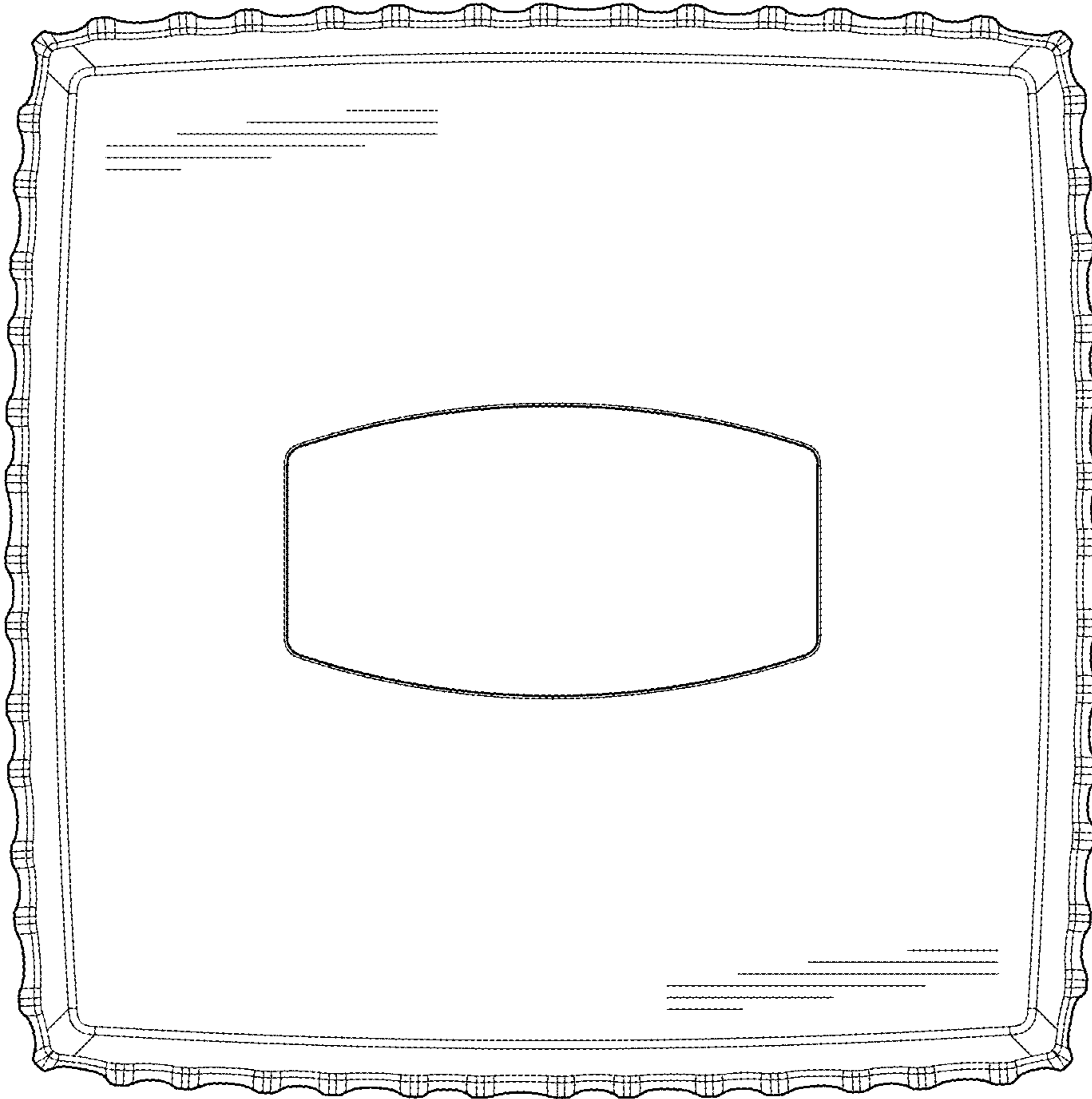


FIG . 7



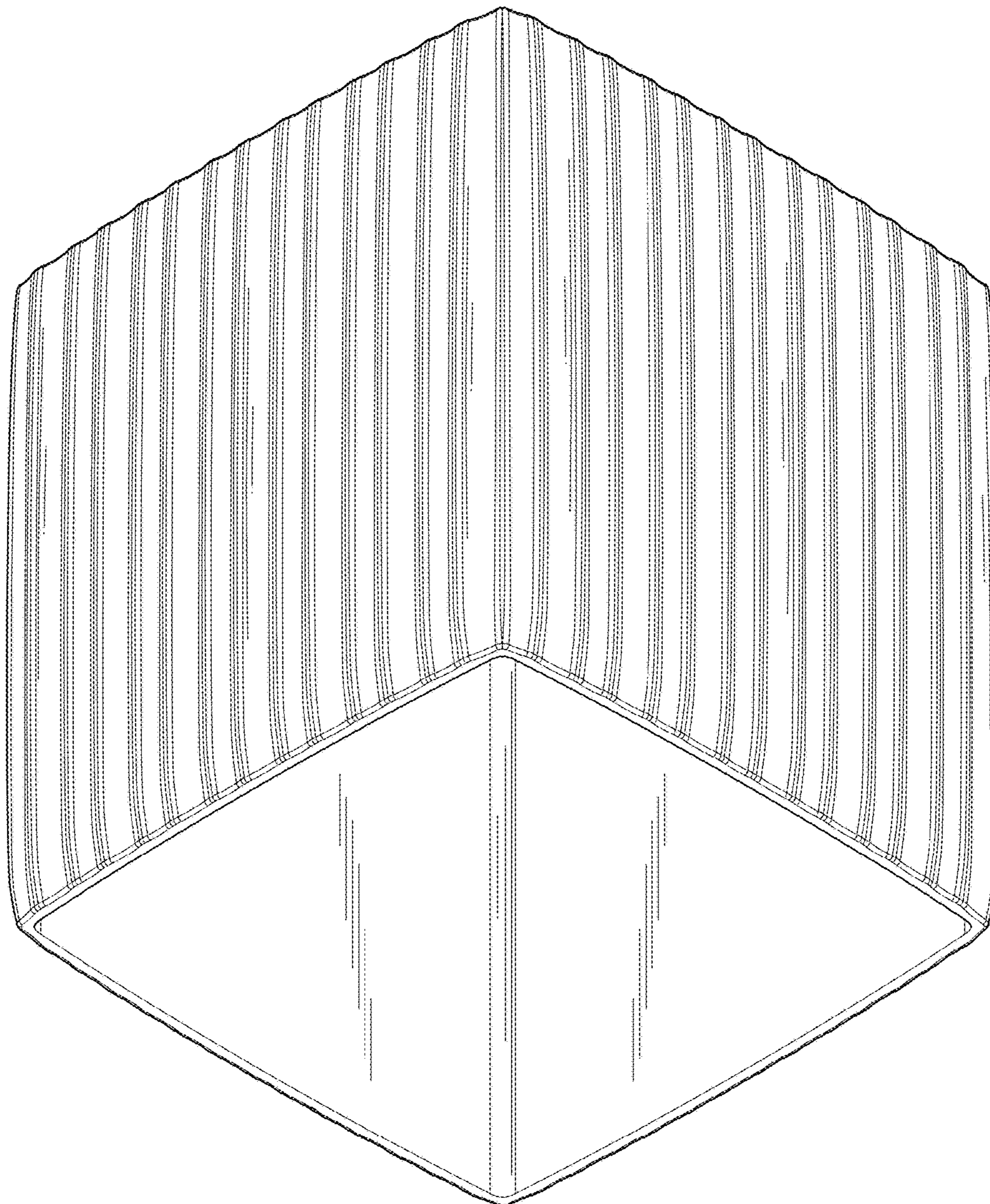


FIG. 8