



US00D811764S

(12) **United States Design Patent** (10) **Patent No.:** **US D811,764 S**
Lin (45) **Date of Patent:** **** Mar. 6, 2018**

(54) **STACKABLE LOVESEAT**

(56) **References Cited**

(71) Applicant: **Zhuhai Shichang Metals Ltd.**, Zhuhai (CN)

U.S. PATENT DOCUMENTS

(72) Inventor: **ChenKang Lin**, Kaohsiung (TW)

D148,289 S *	1/1948	Discher	D6/374
D257,808 S *	1/1981	Haggard	D6/370
D280,683 S *	9/1985	Parker	D6/370
D355,783 S *	2/1995	Noll	D6/376
D498,079 S *	11/2004	Messier	D6/370
D785,354 S *	5/2017	Lin	D6/370
D787,216 S *	5/2017	Pillet	D6/375
D787,217 S *	5/2017	Lin	D6/376
D787,849 S *	5/2017	Lin	D6/376

(73) Assignee: **Zhuhai Shichang Metals Ltd.**, Zhuhai (CN)

(**) Term: **15 Years**

* cited by examiner

(21) Appl. No.: **29/601,322**

Primary Examiner — Mimosa De

(22) Filed: **Apr. 21, 2017**

(74) *Attorney, Agent, or Firm* — Luedeka Neely Group PC

Related U.S. Application Data

(63) Continuation-in-part of application No. 29/553,488, filed on Feb. 2, 2016, now Pat. No. Des. 787,217.

(57) **CLAIM**

The ornamental design for a stackable loveseat, as shown and described.

(51) **LOC (11) Cl.** **06-01**

DESCRIPTION

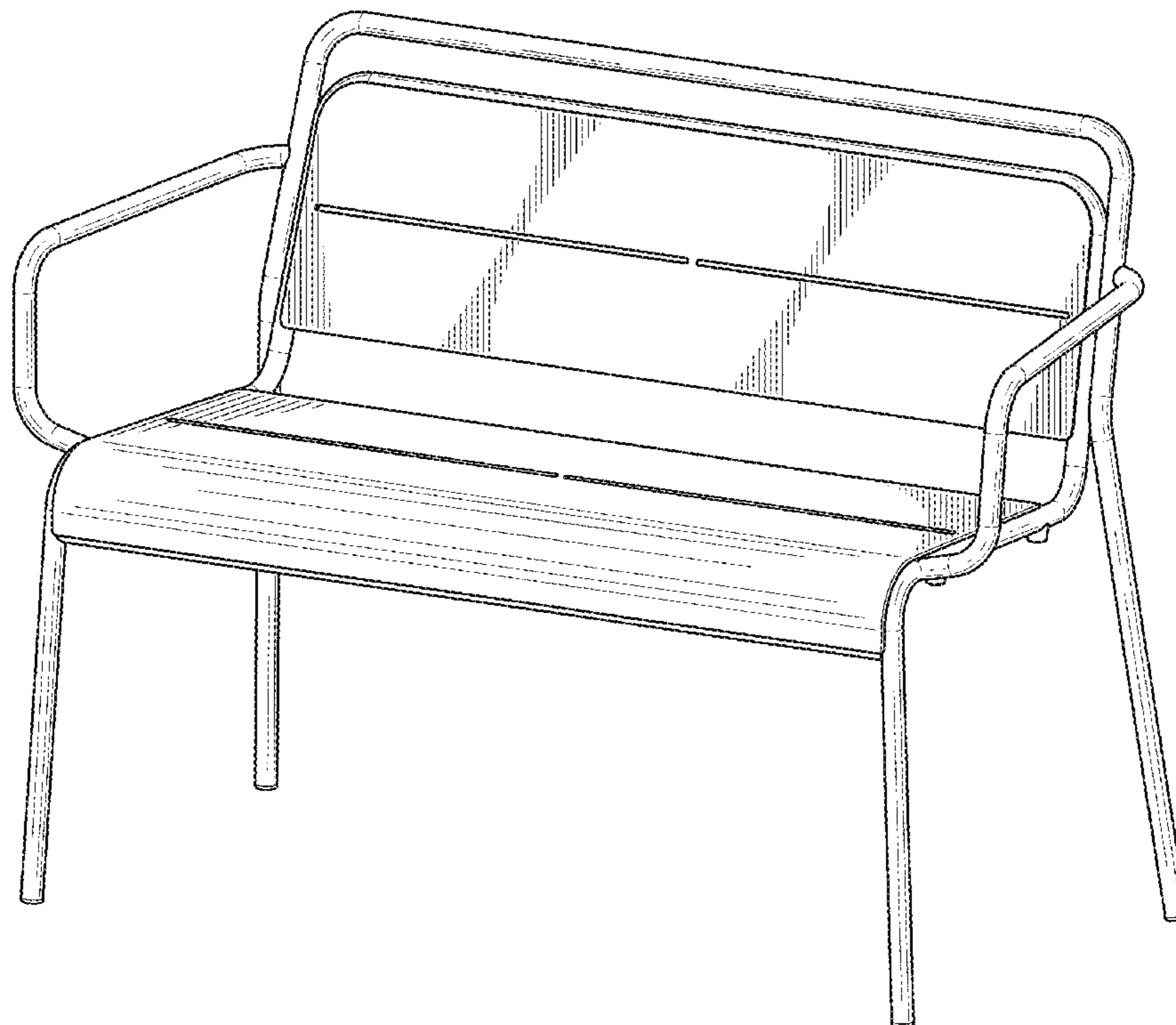
(52) **U.S. Cl.**
USPC **D6/376; D6/379**

FIG. 1 is a top perspective view of the stackable loveseat; FIG. 2 is a bottom perspective view of the stackable loveseat;
 FIG. 3 is a right side elevation view of the stackable loveseat;
 FIG. 4 is a left side elevation view of the stackable loveseat;
 FIG. 5 is a front elevation view of the stackable loveseat;
 FIG. 6 is a rear elevation view of the stackable loveseat;
 FIG. 7 is a top plan view of the stackable loveseat; and,
 FIG. 8 is a bottom plan view of the stackable loveseat.

(58) **Field of Classification Search**
 USPC D6/334-336, 370, 374, 375, 376, 379, D6/380, 381, 716, 716.1, 716.2, 716.3, D6/716.4
 CPC A47C 4/02; A47C 4/03; A47C 5/04; A47C 5/12; A47C 7/16; A47C 7/54; A47C 11/00

See application file for complete search history.

1 Claim, 8 Drawing Sheets



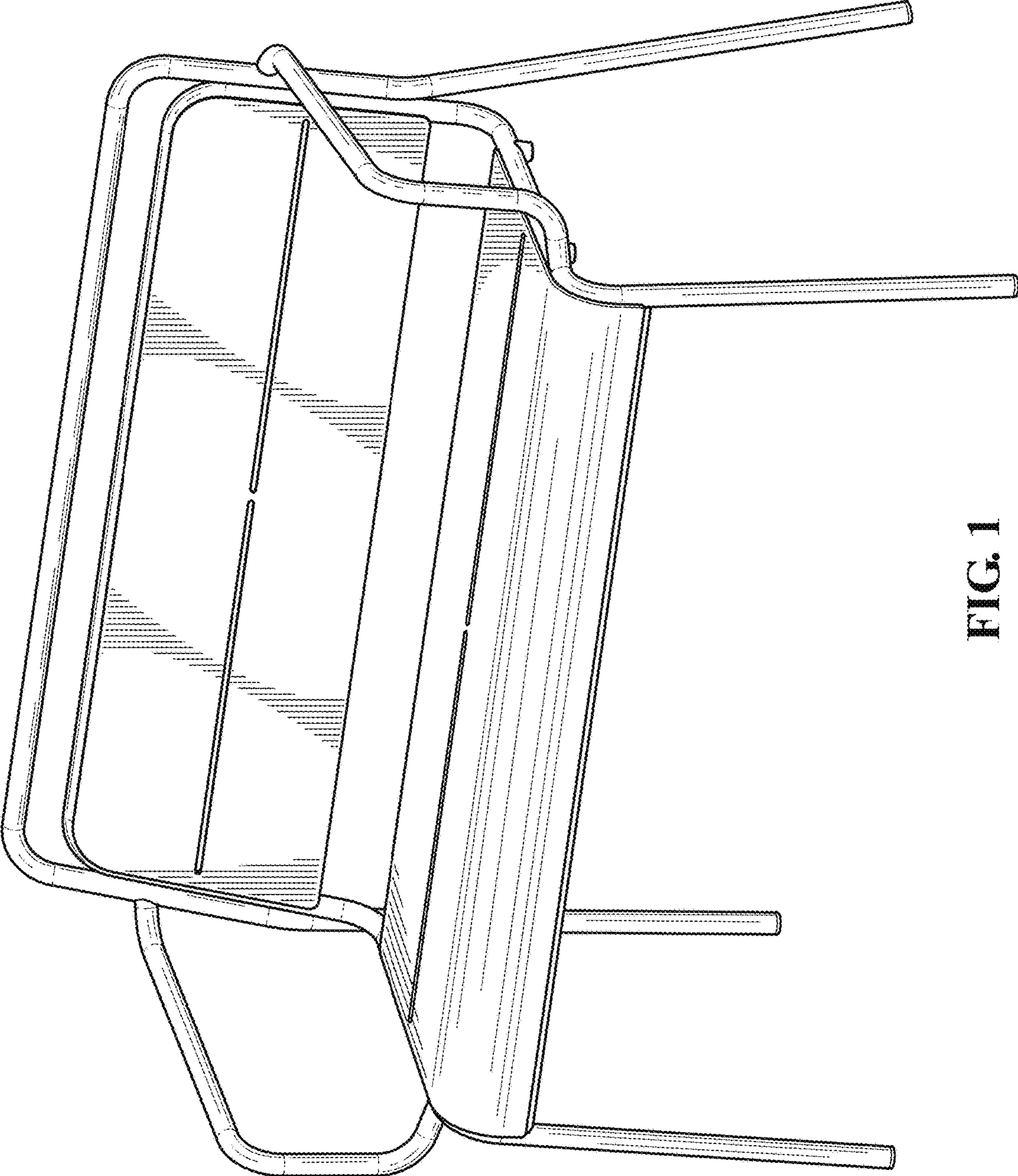


FIG. 1

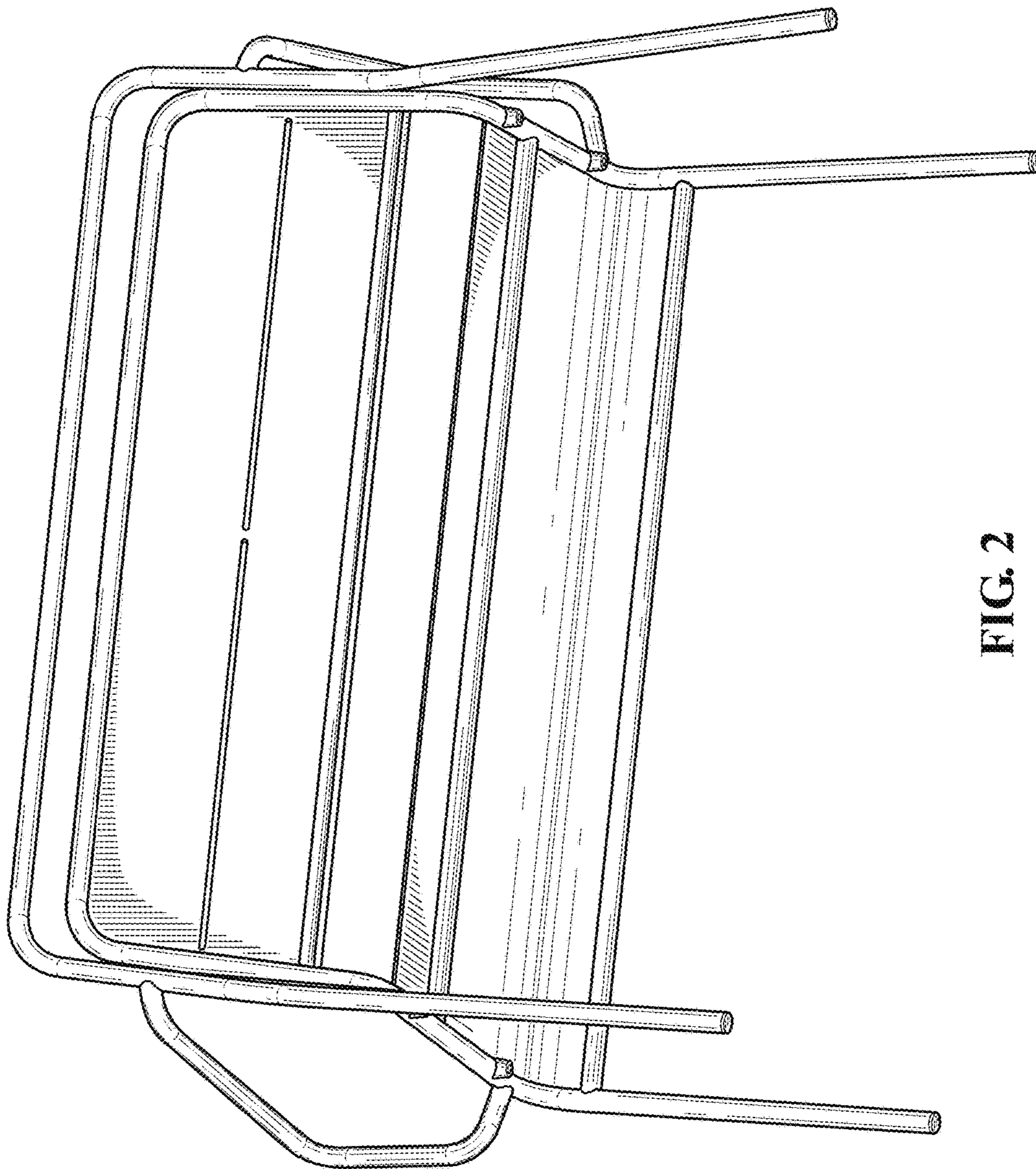


FIG. 2

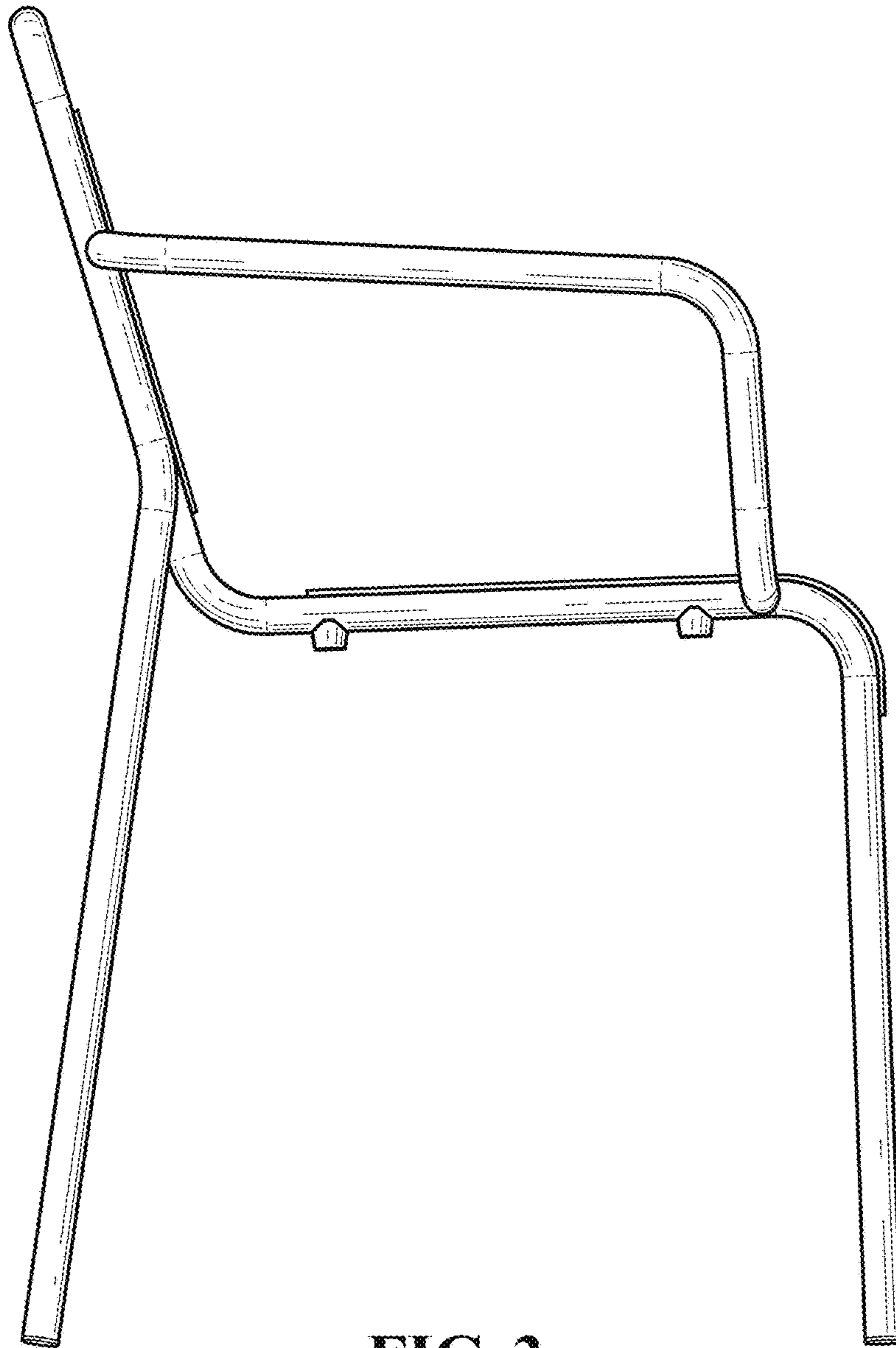


FIG. 3

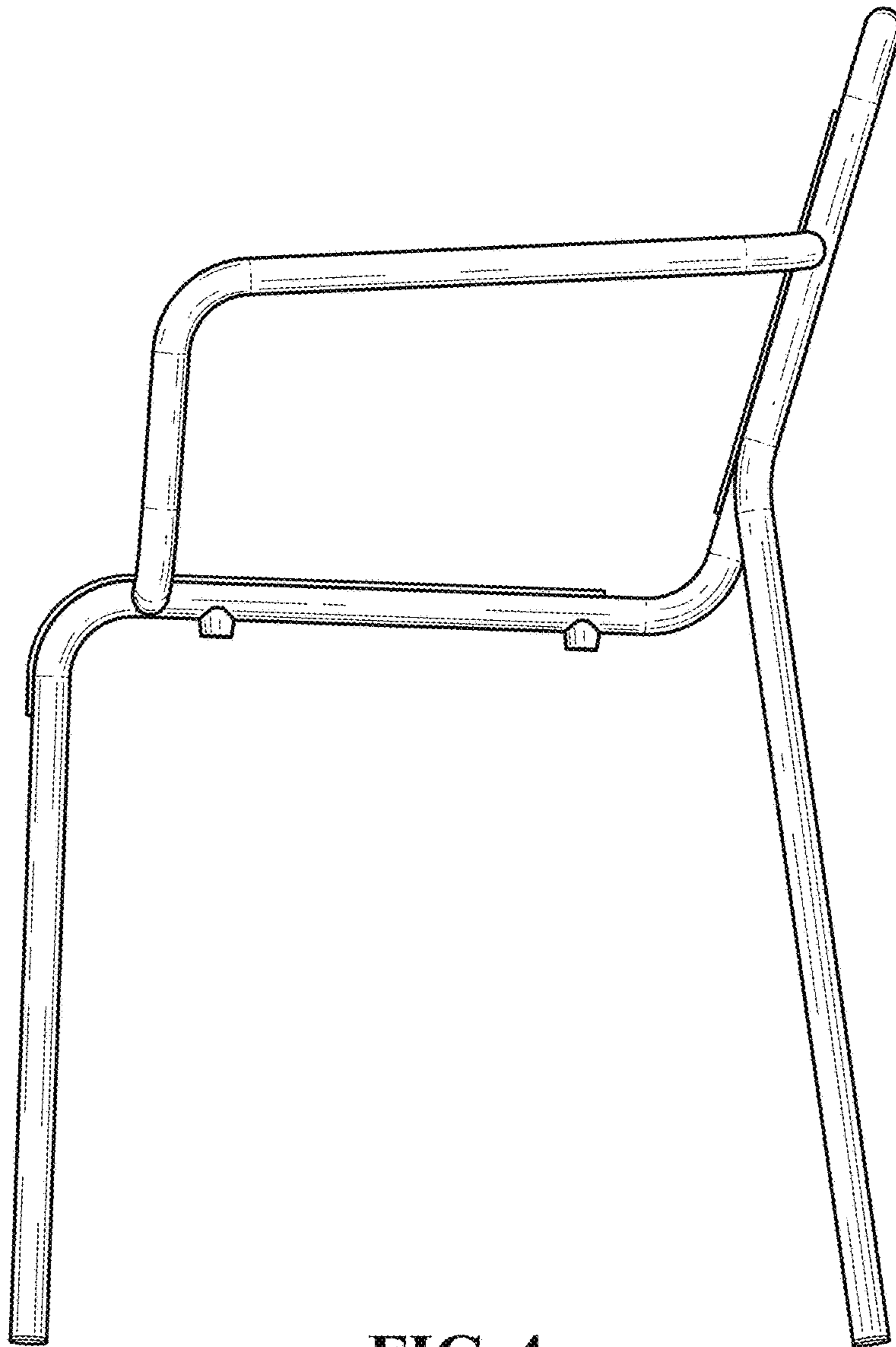


FIG. 4

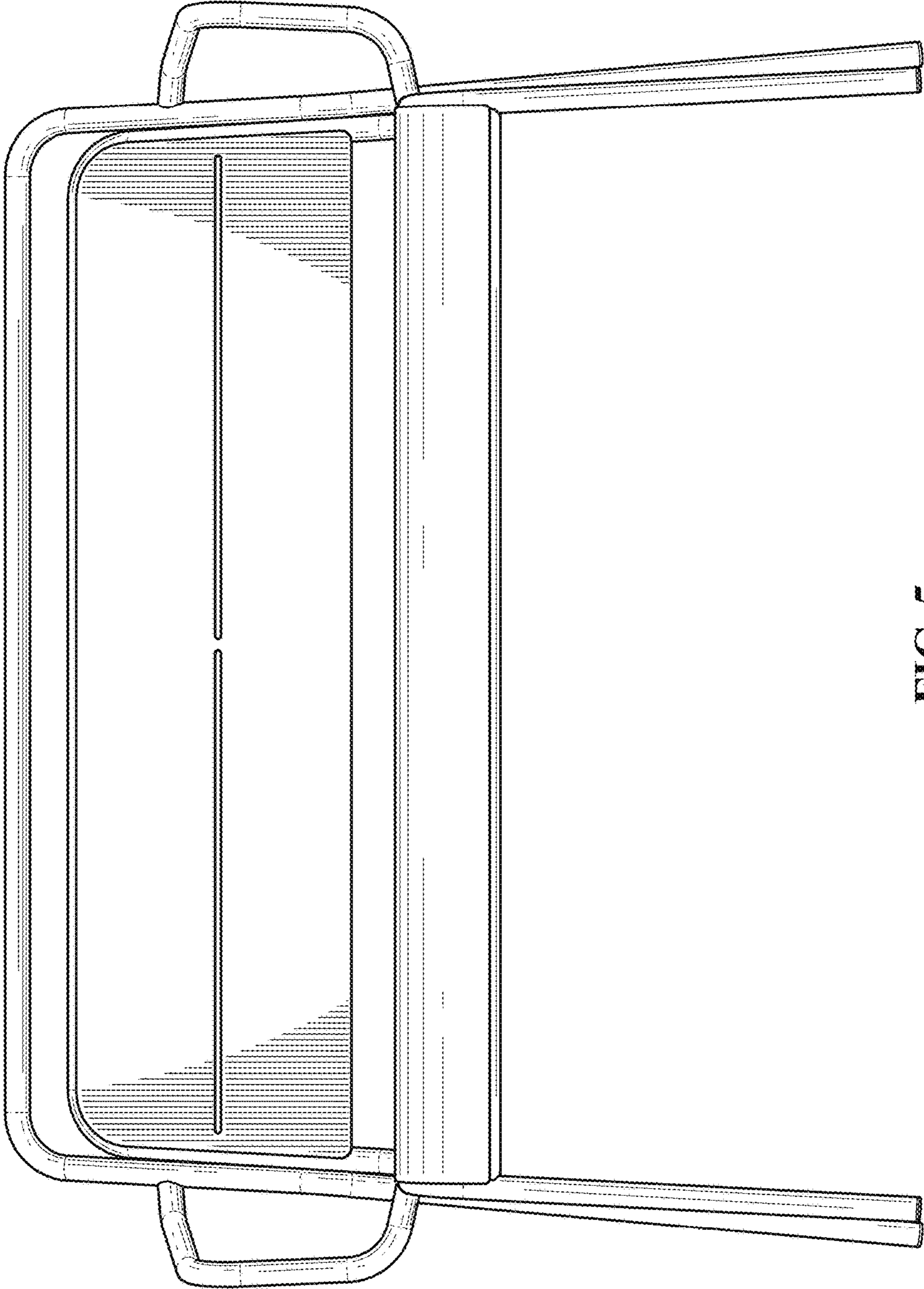


FIG. 5

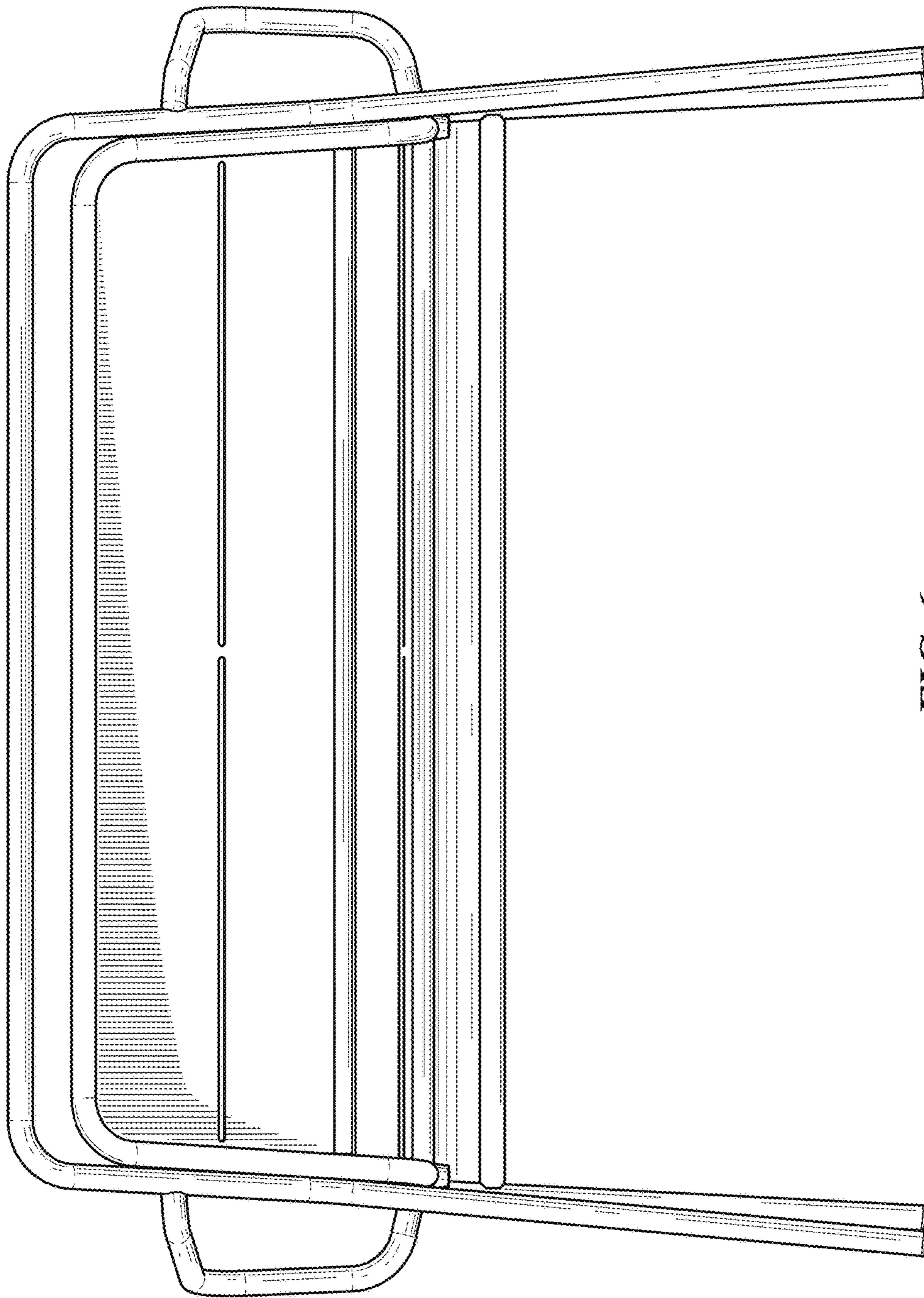


FIG. 6

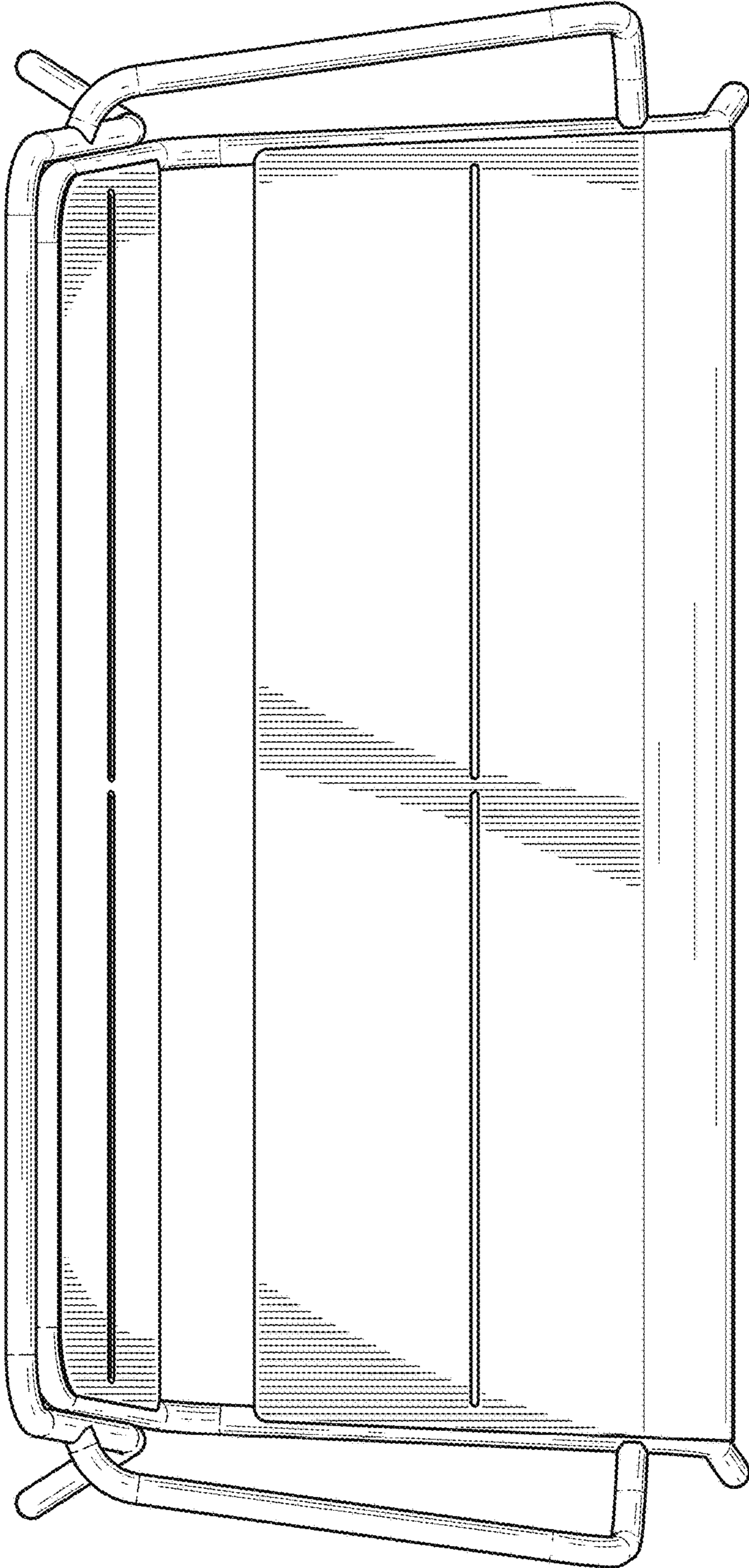


FIG. 7

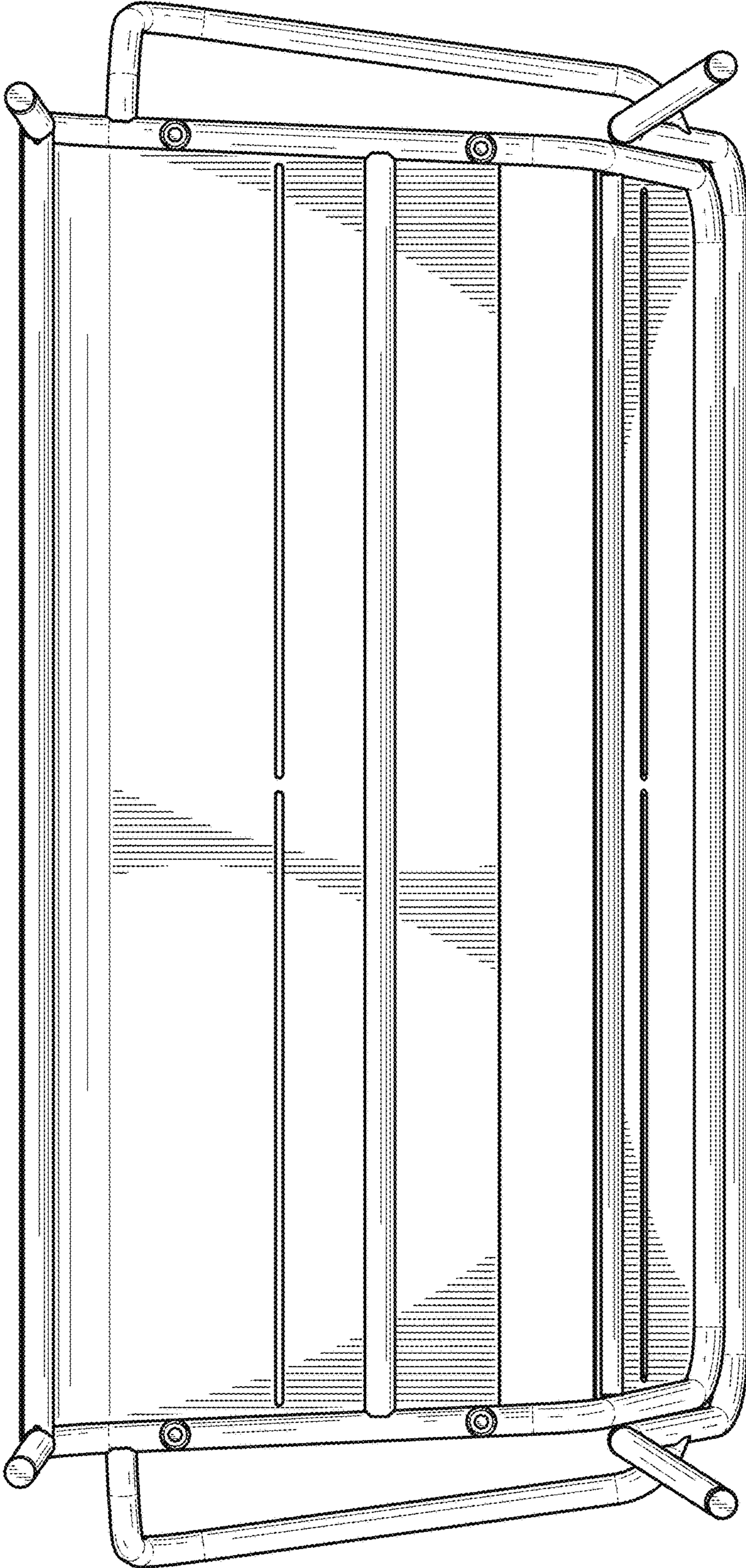


FIG. 8