



US00D811762S

(12) **United States Design Patent**
Alexander

(10) **Patent No.:** **US D811,762 S**
(45) **Date of Patent:** **** Mar. 6, 2018**

- (54) **FOLDABLE LEG REST**
- (71) Applicant: **Carol Alexander**, Jersey City, NJ (US)
- (72) Inventor: **Carol Alexander**, Jersey City, NJ (US)
- (**) Term: **15 Years**
- (21) Appl. No.: **29/530,066**
- (22) Filed: **Jun. 12, 2015**
- (51) **LOC (11) Cl.** **06-01**
- (52) **U.S. Cl.**
USPC **D6/353**
- (58) **Field of Classification Search**
USPC D6/334, 349-355, 363, 360, 368, 374,
D6/403, 405, 601, 685, 688.17, 708,
D6/708.15-708.25, 709-709.119;
D25/62-65, 68
CPC A47C 9/00-9/105; A47C 7/00-7/02; A47C
16/00-16/04; A47B 7/00-7/02; A47B
3/00; A47B 3/02; A47B 3/04; A47B 3/12
See application file for complete search history.

(56) **References Cited**

U.S. PATENT DOCUMENTS

- 2,715,558 A * 8/1955 Bell A47B 3/087
108/129
- 2,754,888 A * 7/1956 La Palme A47C 5/046
297/1
- 2,755,153 A * 7/1956 Rachman A47B 3/083
108/35
- D224,873 S * 10/1972 Martini D6/691.8
- 4,112,855 A * 9/1978 Colby A47B 3/12
108/115
- 4,328,992 A 5/1982 Ohanian
- 5,876,091 A 3/1999 Chernomashenstev

- 6,026,751 A * 2/2000 Tsai A47B 3/00
108/115
- D437,145 S * 2/2001 Leng D6/691.6
- D498,088 S * 11/2004 Tsang D6/691.6
- D515,841 S * 2/2006 Hsu D6/691.6
- D557,513 S * 12/2007 Benden D6/349
- 7,950,744 B2 5/2011 Hallamek
- D645,265 S * 9/2011 Shen D6/353
- D661,129 S * 6/2012 Schweikarth D6/349
- D728,251 S * 5/2015 Domingo D6/353
- D749,880 S * 2/2016 Polidoros D6/691.6
- D774,808 S * 12/2016 Lin D6/691

OTHER PUBLICATIONS

Leg Buddy. [online] Retrieved May 13, 2017 from URL: <<http://legbuddy.biz/leg-buddy/>>.*

* cited by examiner

Primary Examiner — Vy N Koenig
(74) *Attorney, Agent, or Firm* — RG Patent Consulting, LLC; Rachel Gilboy

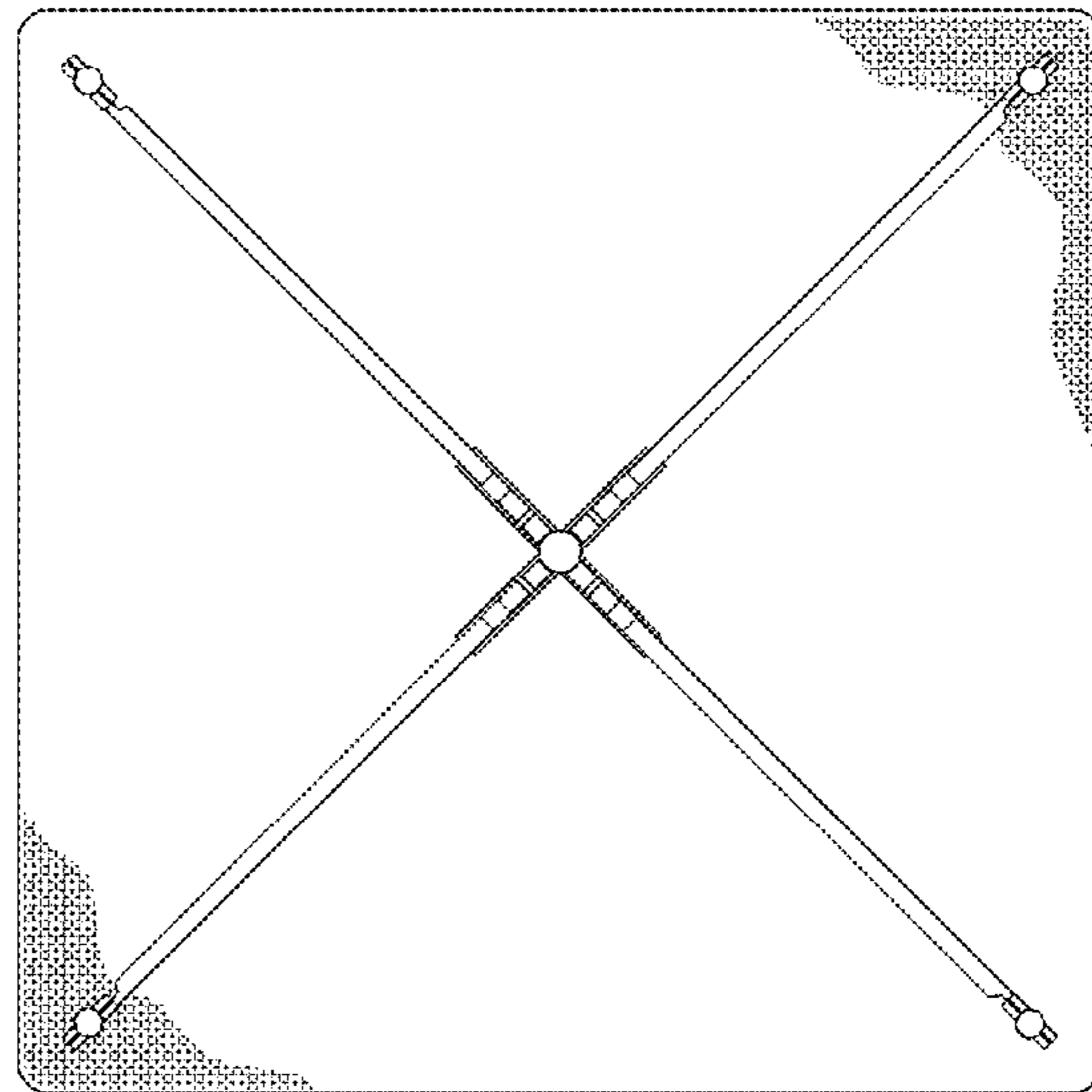
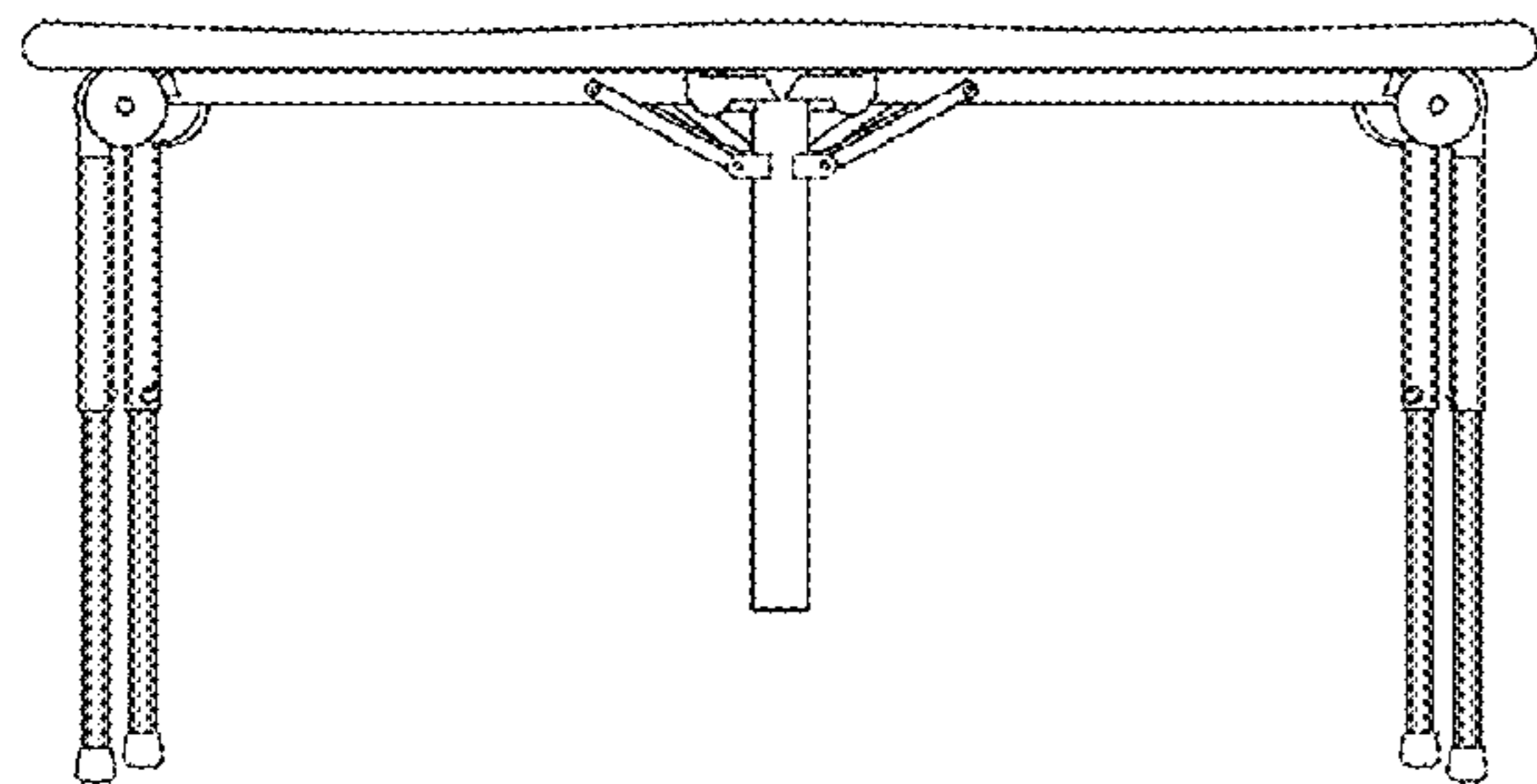
(57) **CLAIM**

The ornamental design for a foldable leg rest, as shown and described.

DESCRIPTION

FIG. 1 is a front elevation view of a foldable leg rest showing my new design; FIG. 2 is a rear elevation view thereof; FIG. 3 is a left side view thereof; FIG. 4 is a right side view thereof; FIG. 5 is a top plan view thereof; and, FIG. 6 is a bottom plan view thereof.

1 Claim, 6 Drawing Sheets



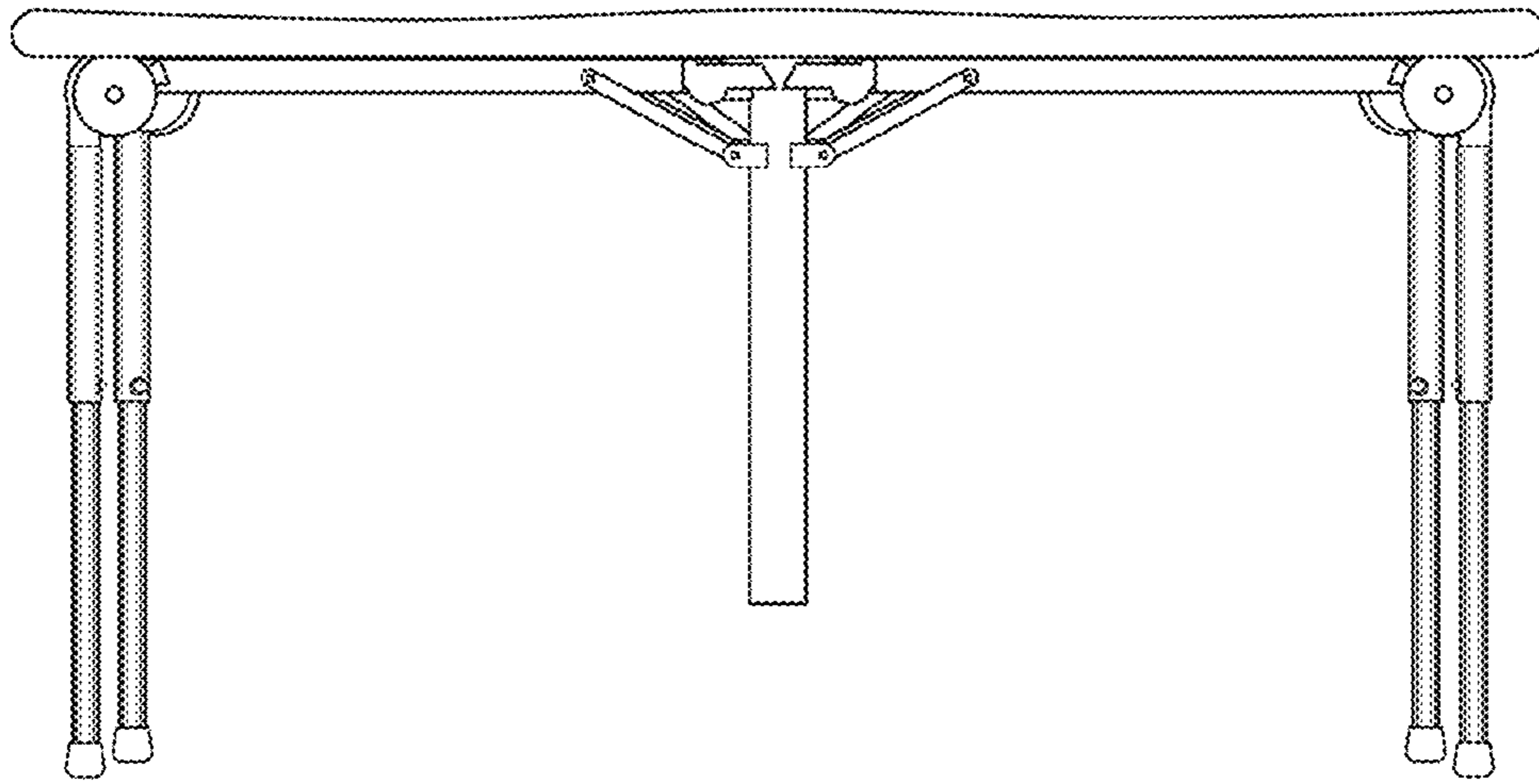


FIG. 1

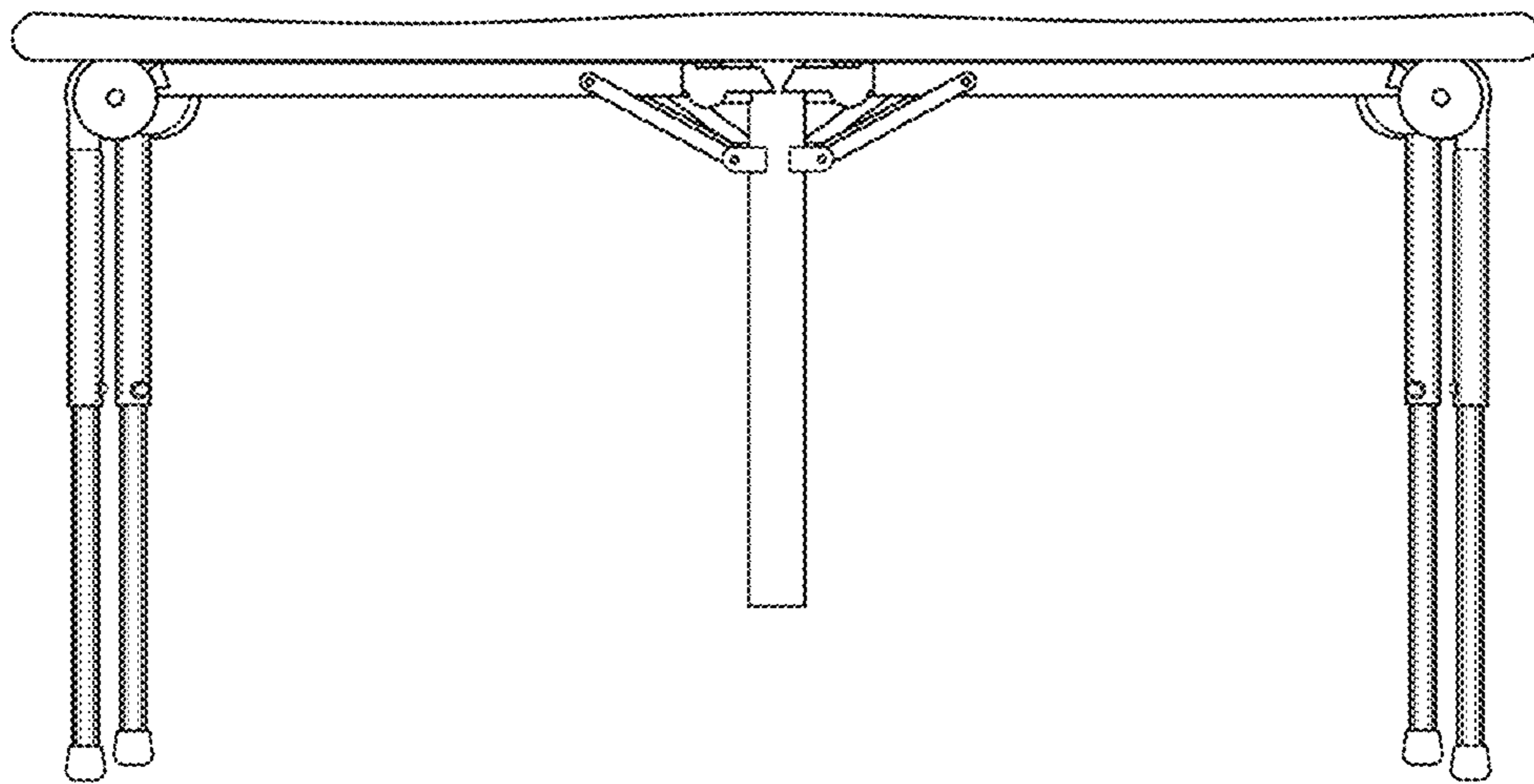


FIG. 2

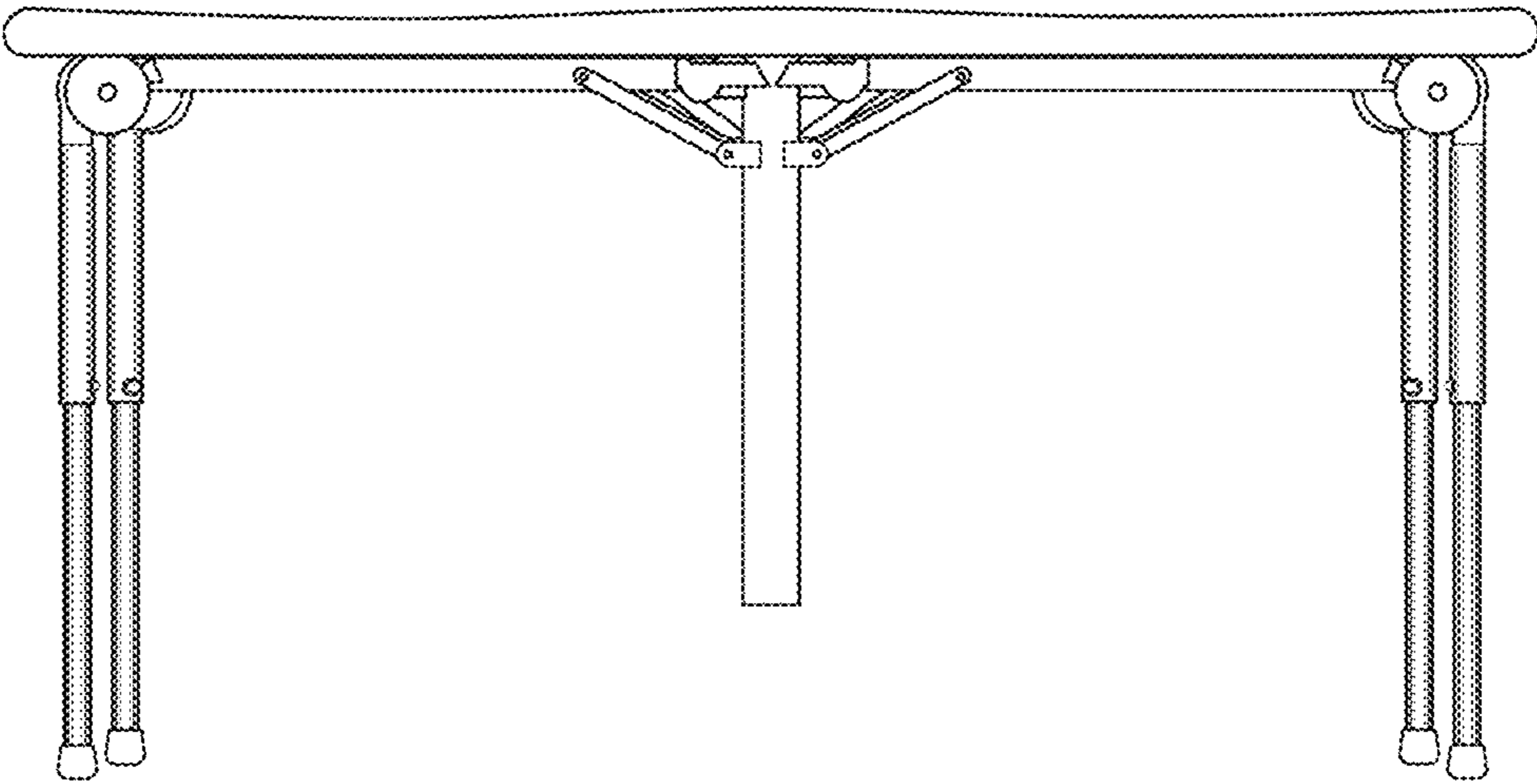


FIG. 3

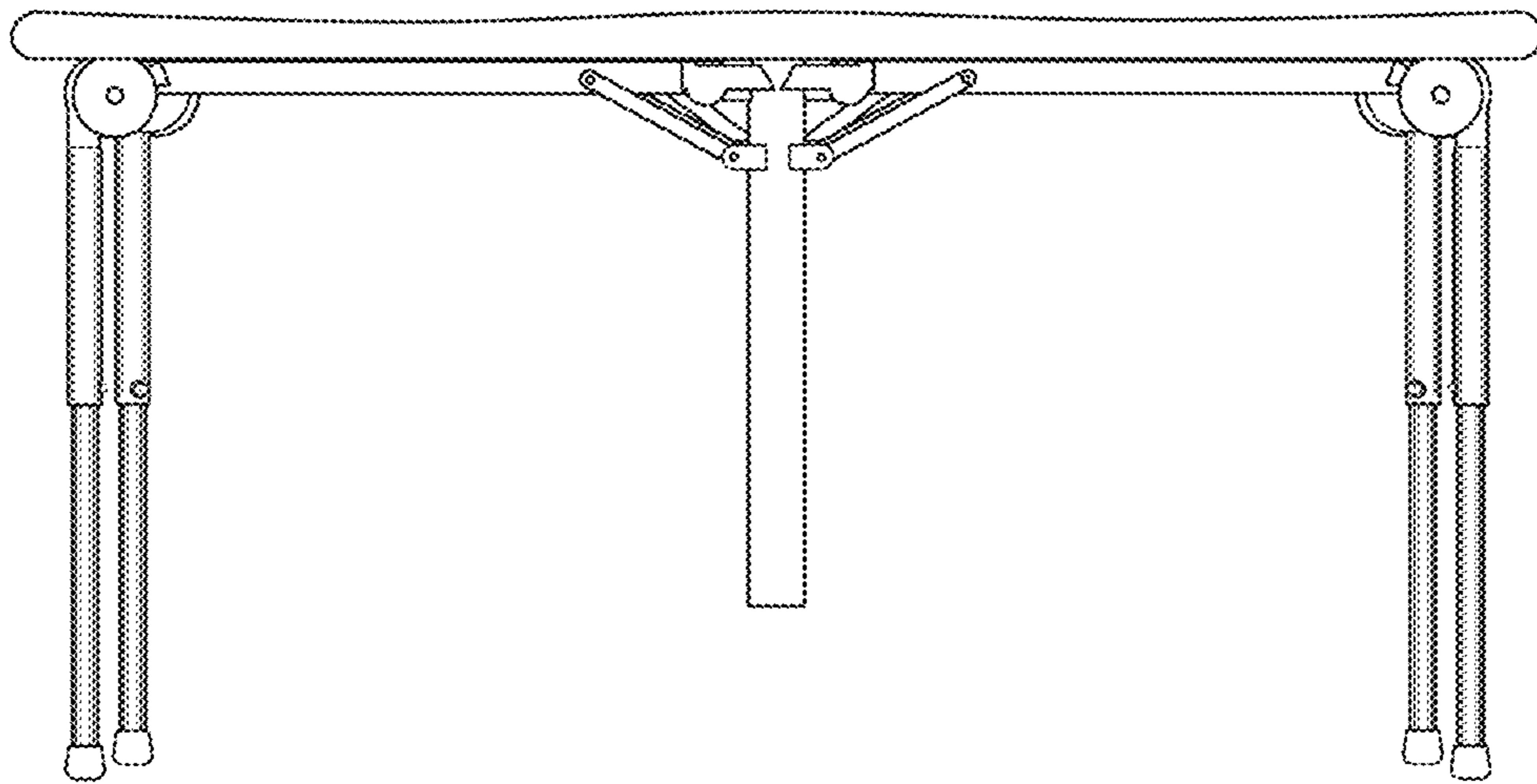


FIG. 4

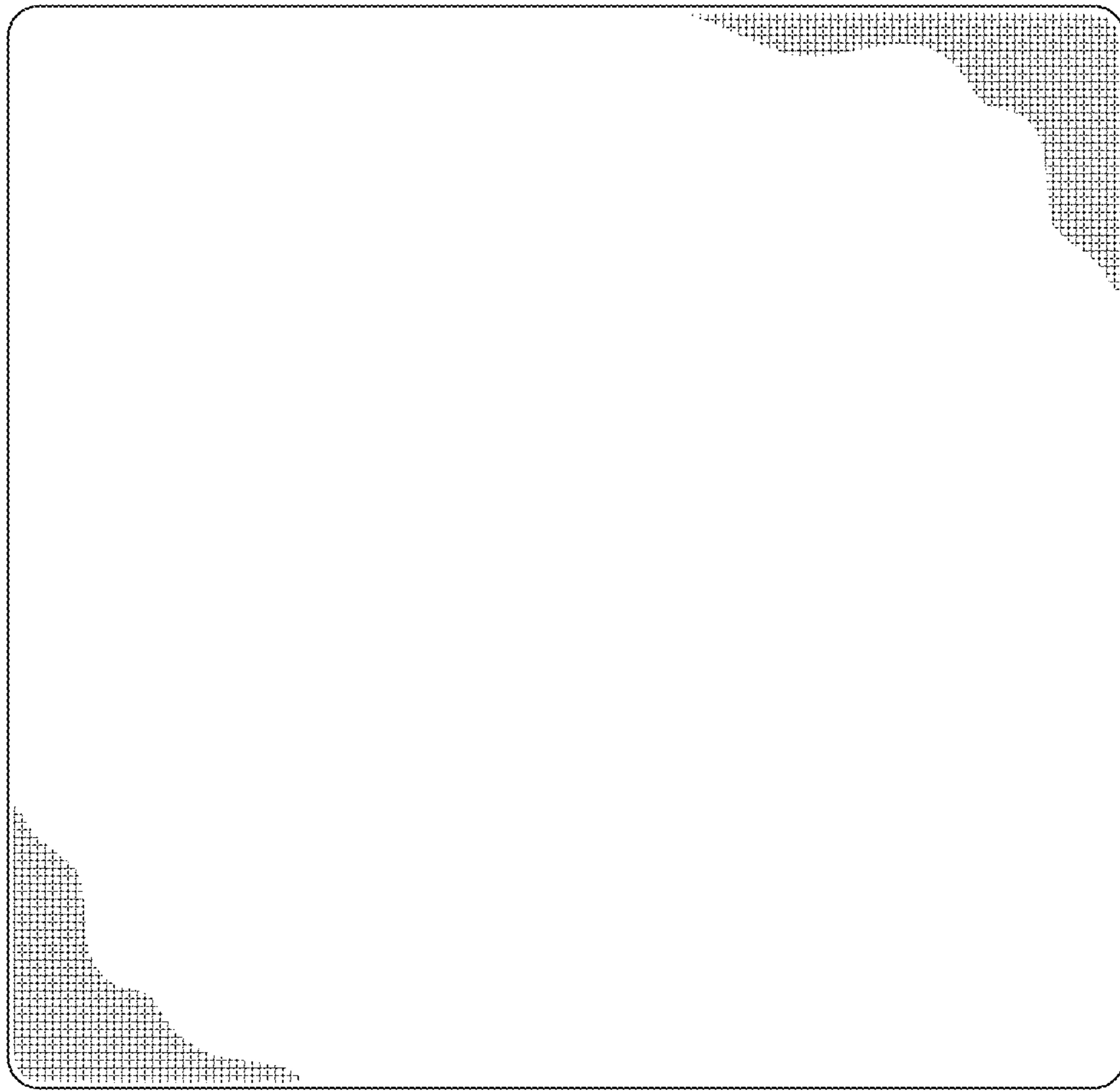


FIG. 5

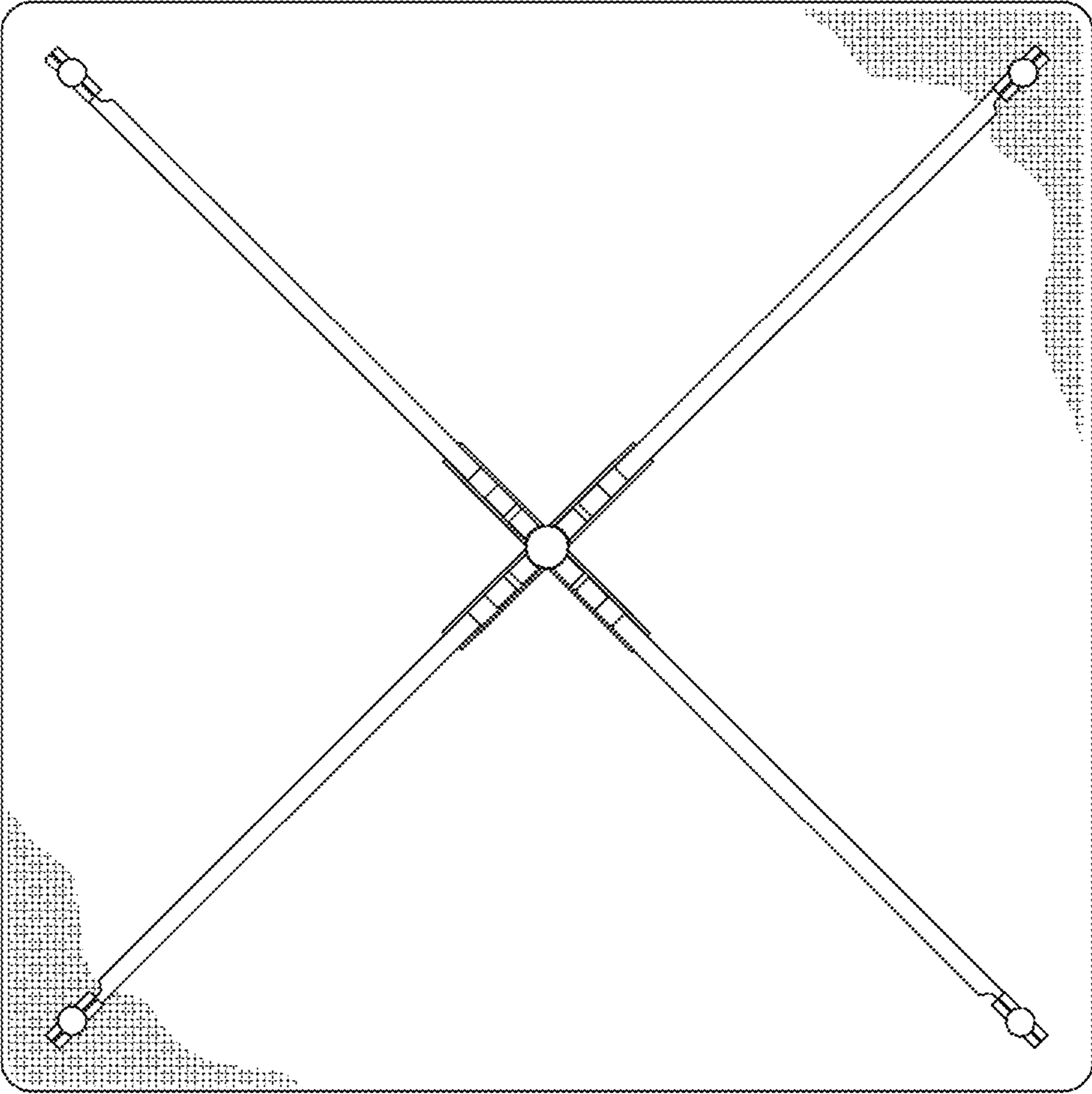


FIG. 6