



US00D811760S

(12) **United States Design Patent** (10) **Patent No.:** **US D811,760 S**
Woods (45) **Date of Patent:** **** Mar. 6, 2018**

(54) **FURNITURE SPINE UNIT WITH WORK SURFACE**
(71) Applicant: **Kimball International, Inc.**, Jasper, IN (US)
(72) Inventor: **Donald Woods**, Celestine, IN (US)
(73) Assignee: **Kimball International, Inc.**, Jasper, IN (US)

(**) Term: **15 Years**
(21) Appl. No.: **29/588,181**

(22) Filed: **Dec. 19, 2016**
(51) **LOC (11) Cl.** **06-01**
(52) **U.S. Cl.**
USPC **D6/342**
(58) **Field of Classification Search**
USPC D6/329, 332, 334, 335, 336, 338, 342, D6/374, 643, 641, 642, 686, 691.4, 702, D6/713, 714, 716, 716.1, 716.4, 698
CPC A47B 83/02; A47B 83/00; A47B 83/001; A47B 83/003; A47B 83/005; A47B 87/00; A47C 13/00; A47C 13/005; A47C 7/62; A47C 7/70; A47C 7/36; A47C 7/38; A47C 7/40
See application file for complete search history.

6,824,220 B1 11/2004 Davison
D526,803 S * 8/2006 Lee D6/381
7,347,493 B2 3/2008 Mulmed
D566,980 S * 4/2008 Mourgue D6/381
D567,526 S * 4/2008 Williams D6/381
D589,283 S 3/2009 Stangdell
D624,328 S 9/2010 Grandin et al.
D639,083 S * 6/2011 Martin D6/381
D644,456 S * 9/2011 Martin D6/690
8,061,864 B2 11/2011 Metcalf et al.
8,075,054 B2 12/2011 Smith
D657,155 S 4/2012 Grandin et al.
D661,112 S * 6/2012 Grandin D6/332
8,283,812 B2 10/2012 Azancot et al.
D675,453 S 2/2013 Blet et al.
D675,459 S * 2/2013 Martin D6/381

(Continued)

FOREIGN PATENT DOCUMENTS

CN 202636171 1/2013
GB 2497773 6/2013
KR 20140120438 10/2014

Primary Examiner — Deanna L Pratt
(74) *Attorney, Agent, or Firm* — Faegre Baker Daniels LLP

(57) **CLAIM**

The ornamental design for a furniture spine unit with work surface, as shown and described.

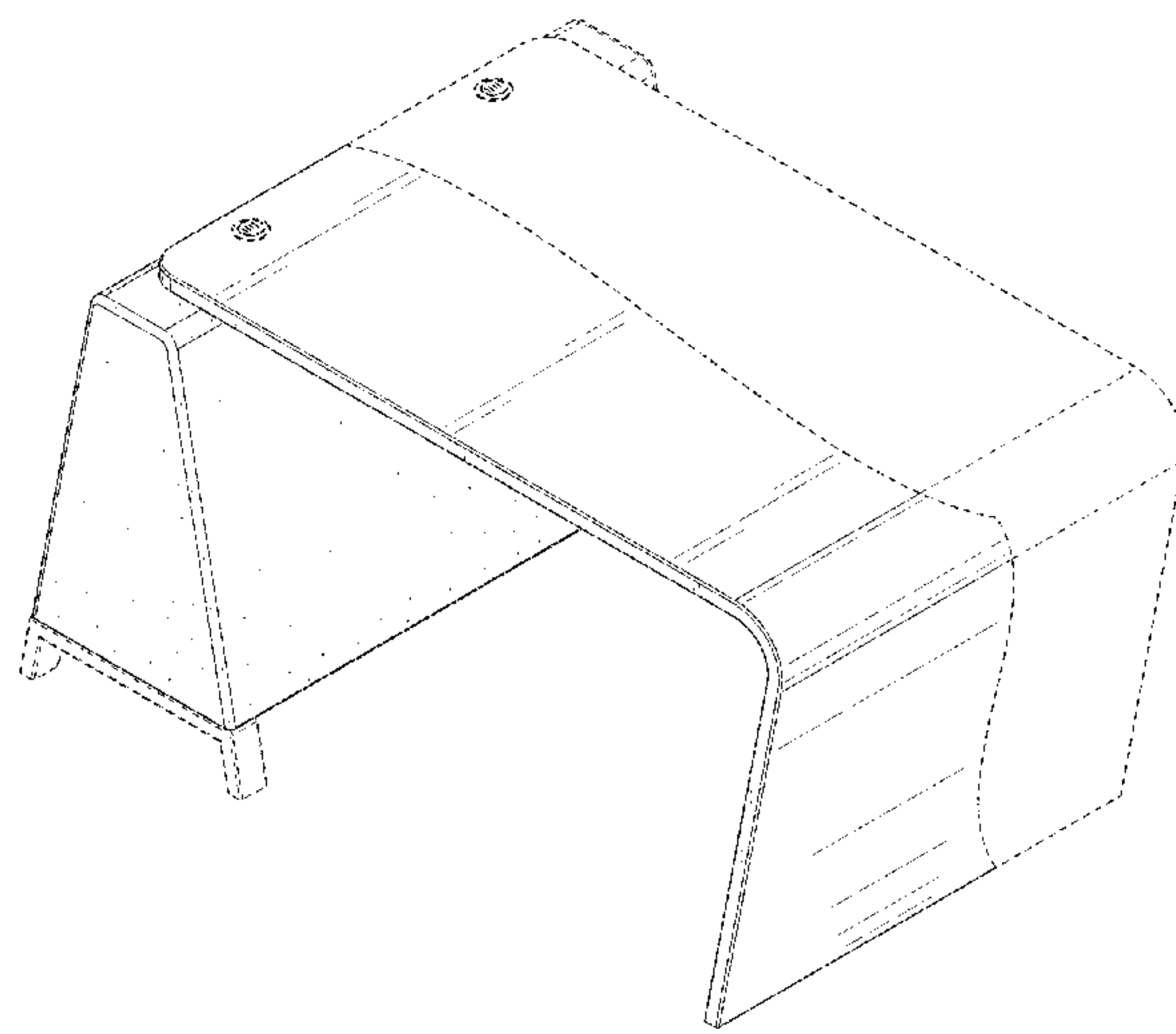
(56) **References Cited**
U.S. PATENT DOCUMENTS

D92,703 S 7/1934 Crego
D225,818 S * 1/1973 Torrey D6/716.4
4,374,354 A 2/1983 Petrovic et al.
D300,996 S * 5/1989 Colby D6/690
D360,311 S * 7/1995 Stamberg D6/334
D427,814 S * 7/2000 Black D6/690
D430,763 S 9/2000 Scheffer
D457,359 S 5/2002 Chan
6,447,067 B1 * 9/2002 Williams A47C 4/021
297/184.11
D476,819 S * 7/2003 Williams D6/334

DESCRIPTION

FIG. 1 is a front perspective view of a furniture spine unit with work surface of my new design;
FIG. 2 is a front view thereof;
FIG. 3 is a rear view thereof;
FIG. 4 is a side view thereof; and,
FIG. 5 is a top view thereof.
Features shown in broken lines form no part of the claimed design.

1 Claim, 5 Drawing Sheets



(56)

References Cited

U.S. PATENT DOCUMENTS

D677,477	S *	3/2013	Agati	D6/336
8,421,407	B2	4/2013	Johnson	
D687,640	S *	8/2013	Pedersen	D6/349
D688,475	S	8/2013	Blet et al.	
D690,118	S *	9/2013	Grandin	D6/332
8,528,972	B2	9/2013	Johnson	
8,536,737	B2	9/2013	Azancot et al.	
8,624,750	B2	1/2014	Azancot et al.	
8,625,255	B2	1/2014	Linnane et al.	
D699,456	S	2/2014	Bosman	
D699,457	S	2/2014	Bosman	
D699,461	S *	2/2014	Bosman	D6/371
8,721,000	B2 *	5/2014	Nguyen	A47C 7/402 297/158.1
8,857,348	B2	10/2014	Gevaert et al.	
D723,814	S *	3/2015	Hagstrom	D6/335
D731,216	S *	6/2015	Sorel	D6/690
D739,156	S	9/2015	Webb	
D743,181	S	11/2015	Cardona	
D743,712	S	11/2015	Behar et al.	
D743,716	S *	11/2015	Dillon	D6/643
D761,029	S *	7/2016	Behar	D6/336
D774,339	S *	12/2016	Parshad	D6/714
2004/0026998	A1	2/2004	Henriott et al.	
2012/0119629	A1	5/2012	Nelson et al.	
2014/0054961	A1	2/2014	Metcalf et al.	
2014/0091638	A1	4/2014	Azancot et al.	
2014/0118892	A1	5/2014	Makwinski et al.	
2015/0091389	A1	4/2015	Byrne et al.	
2015/0091522	A1	4/2015	Byrne et al.	

* cited by examiner

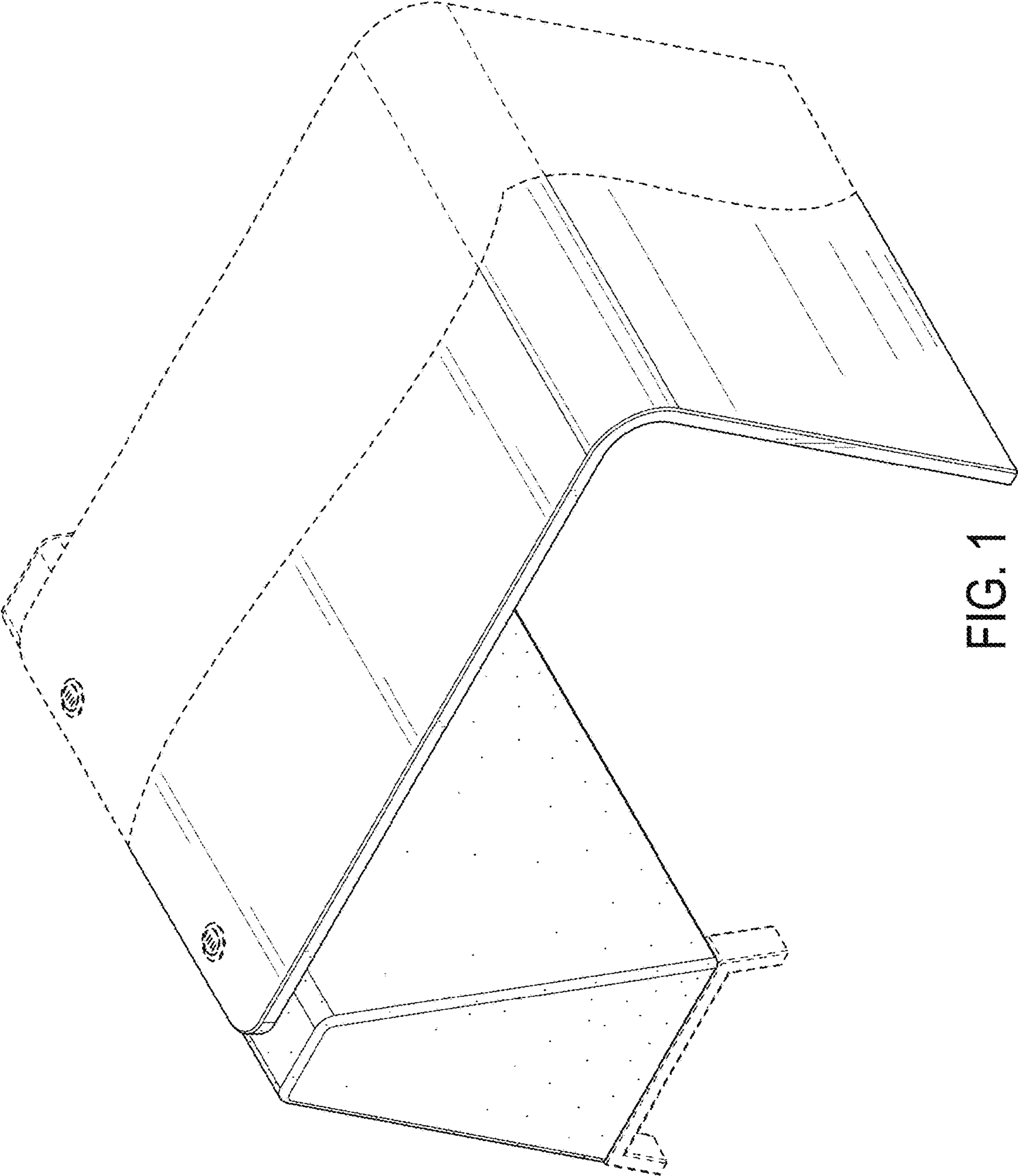


FIG. 1

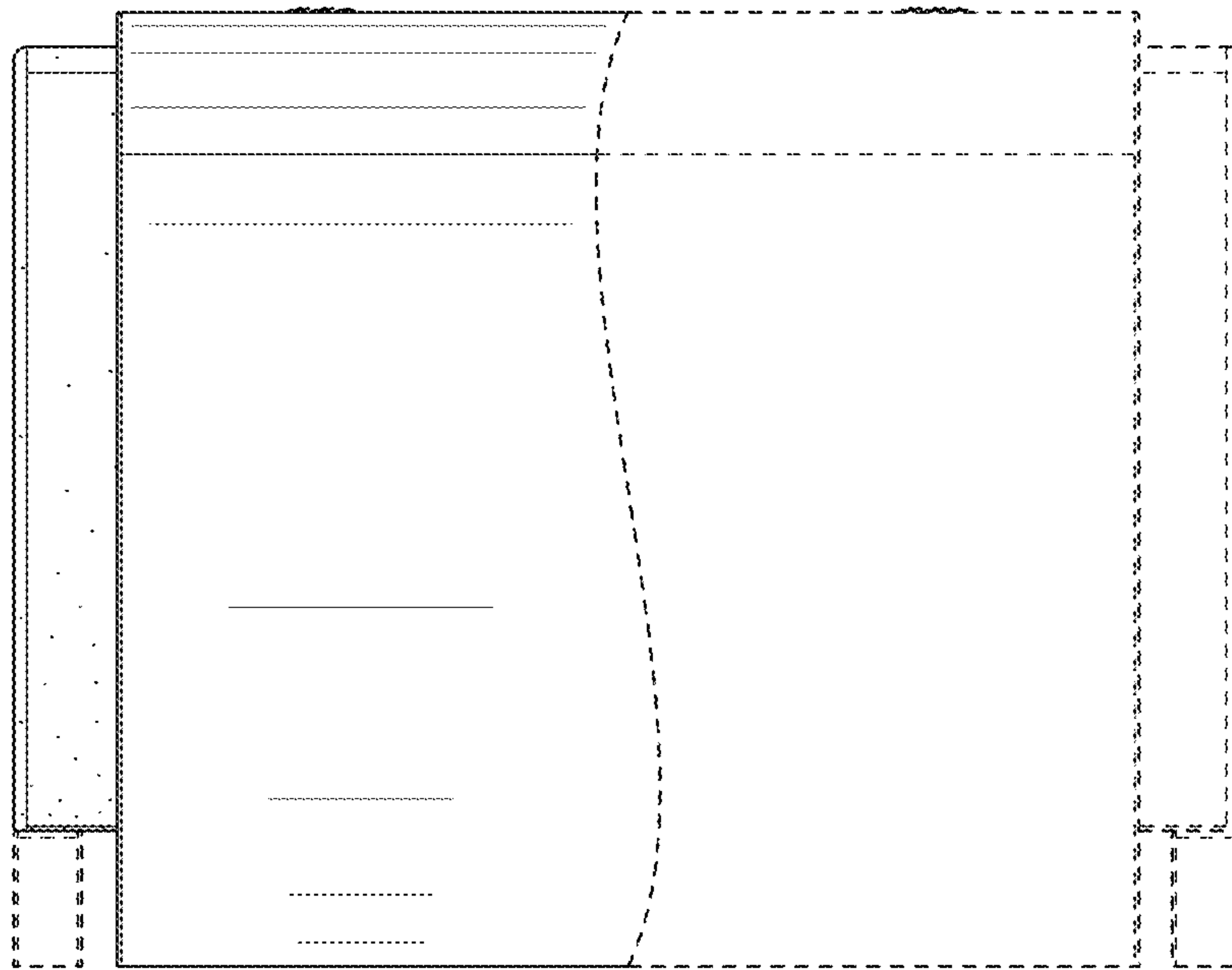


FIG. 2

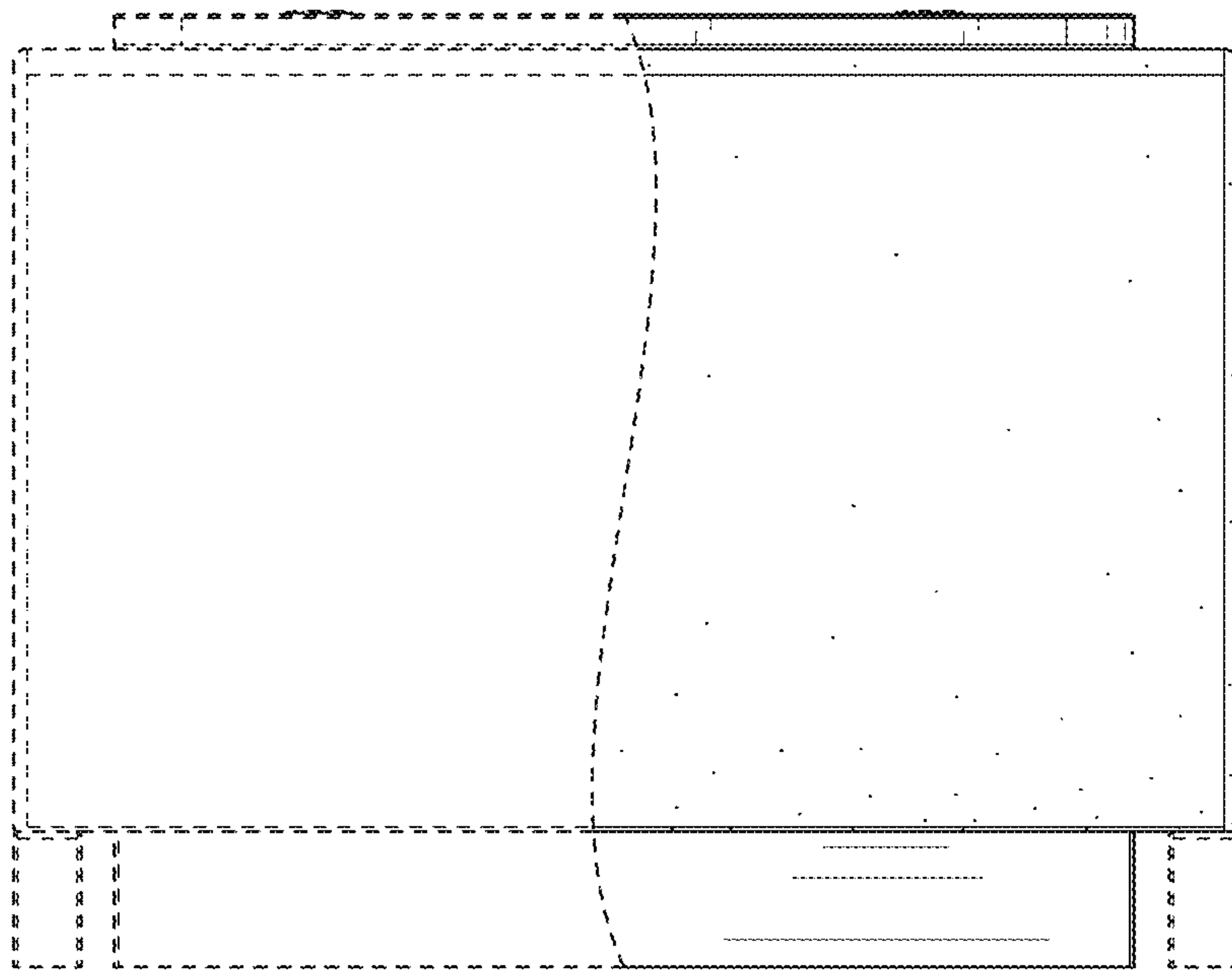


FIG. 3

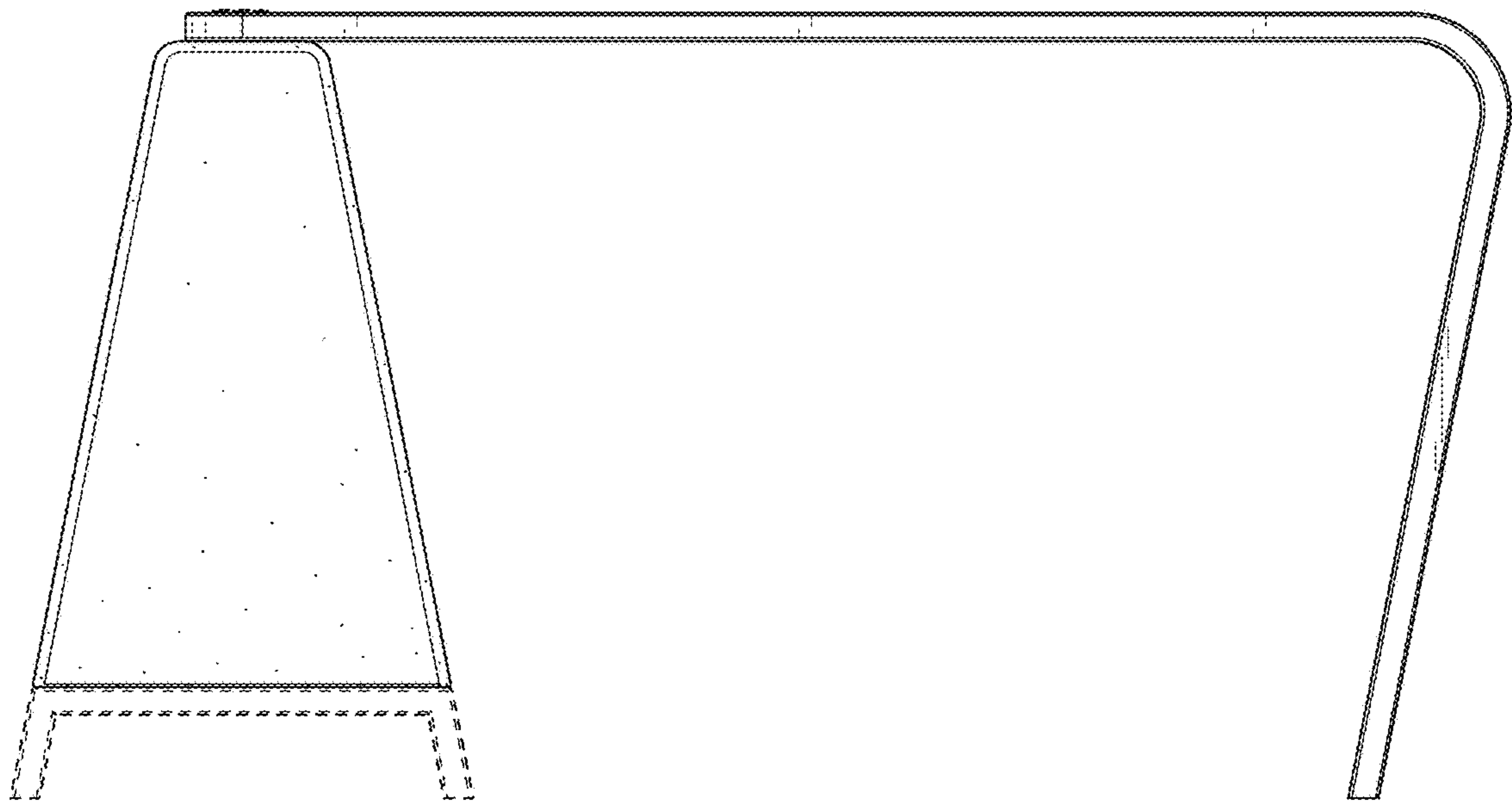


FIG. 4

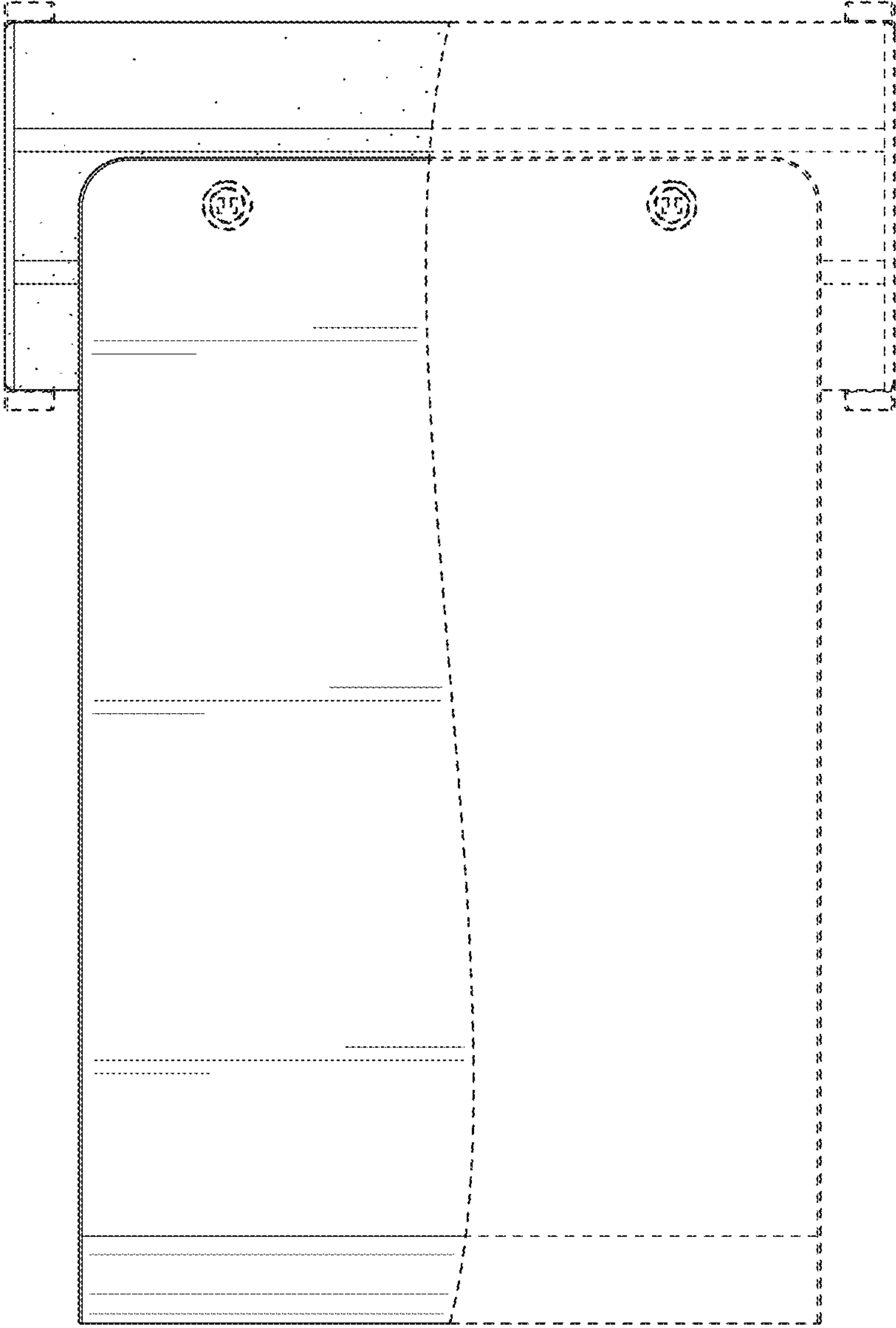


FIG. 5