



US00D811759S

(12) **United States Design Patent** (10) **Patent No.:** **US D811,759 S**  
**Woods** (45) **Date of Patent:** **\*\* Mar. 6, 2018**

(54) **FURNITURE SPINE UNIT WITH BISTRO TABLE**  
(71) Applicant: **Kimball International, Inc.**, Jasper, IN (US)  
(72) Inventor: **Donald Woods**, Celestine, IN (US)  
(73) Assignee: **Kimball International, Inc.**, Jasper, IN (US)

(\*\*) Term: **15 Years**  
(21) Appl. No.: **29/588,179**

(22) Filed: **Dec. 19, 2016**  
(51) **LOC (11) Cl.** ..... **06-01**  
(52) **U.S. Cl.**  
USPC ..... **D6/342**  
(58) **Field of Classification Search**  
USPC ..... D6/329, 332, 334, 335, 336, 338, 342, D6/374, 643, 641, 642, 686, 691.4, 702, D6/713, 714, 716, 716.1, 716.4, 698  
CPC ..... A47B 83/02; A47B 83/00; A47B 83/001; A47B 83/003; A47B 83/005; A47B 87/00; A47C 13/00; A47C 13/005; A47C 7/62; A47C 7/70; A47C 7/36; A47C 7/38; A47C 7/40  
See application file for complete search history.

6,824,220 B1 11/2004 Davison  
D526,803 S \* 8/2006 Lee ..... D6/381  
7,347,493 B2 3/2008 Mulmed  
D566,980 S \* 4/2008 Mourgue ..... D6/381  
D567,526 S \* 4/2008 Williams ..... D6/381  
D589,283 S 3/2009 Stangdell  
D624,328 S 9/2010 Grandin et al.  
D639,083 S \* 6/2011 Martin ..... D6/381  
D644,456 S \* 9/2011 Martin ..... D6/690  
8,061,864 B2 11/2011 Metcalf et al.  
8,075,054 B2 12/2011 Smith  
D657,155 S 4/2012 Grandin et al.  
D661,112 S \* 6/2012 Grandin ..... D6/332  
8,283,812 B2 10/2012 Azancot et al.  
D675,453 S 2/2013 Blet et al.  
D675,459 S \* 2/2013 Martin ..... D6/381  
D677,477 S \* 3/2013 Agati ..... D6/336

(Continued)

**FOREIGN PATENT DOCUMENTS**

CN 202636171 1/2013  
GB 2497773 6/2013  
KR 20140120438 10/2014

*Primary Examiner* — Deanna L Pratt  
(74) *Attorney, Agent, or Firm* — Faegre Baker Daniels LLP

(57) **CLAIM**

The ornamental design for a furniture spine unit with bistro table, as shown and described.

(56) **References Cited**

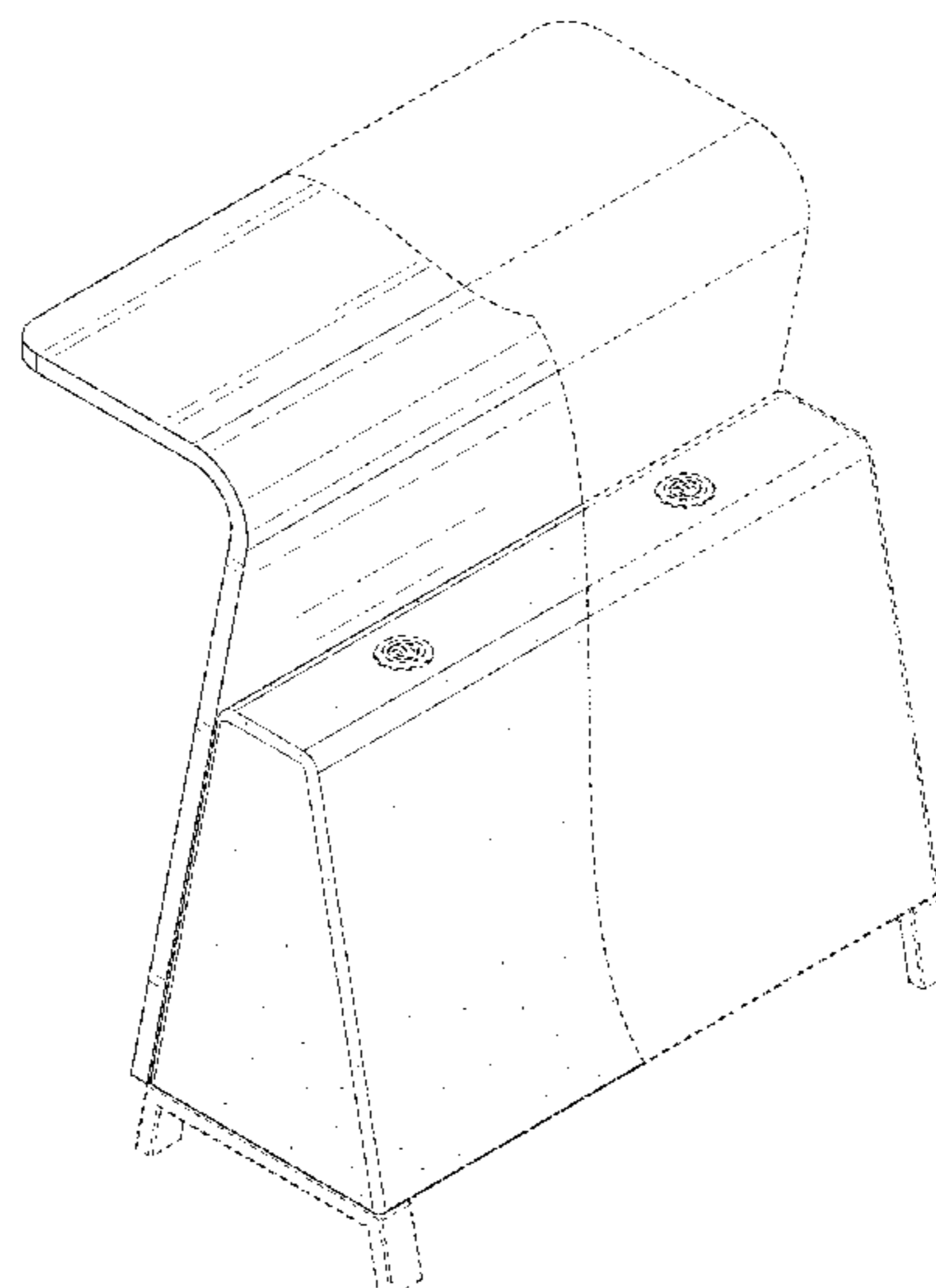
**U.S. PATENT DOCUMENTS**

D92,703 S 7/1934 Crego  
D225,818 S \* 1/1973 Torrey ..... D6/716.4  
D264,027 S \* 4/1982 Aronowitz ..... D6/364  
4,374,354 A 2/1983 Petrovic et al.  
D360,311 S \* 7/1995 Stamberg ..... D6/334  
D430,763 S 9/2000 Scheffer  
D457,359 S 5/2002 Chan  
6,447,067 B1 \* 9/2002 Williams ..... A47C 4/021  
297/184.11  
D476,819 S \* 7/2003 Williams ..... D6/334

**DESCRIPTION**

FIG. 1 is a front perspective view of a furniture spine unit with bistro table of my new design;  
FIG. 2 is a front view thereof;  
FIG. 3 is a rear view thereof;  
FIG. 4 is a side view thereof; and,  
FIG. 5 is a top view thereof.  
Features shown in broken lines form no part of the claimed design.

**1 Claim, 5 Drawing Sheets**



(56)

**References Cited**

## U.S. PATENT DOCUMENTS

D680,762	S *	4/2013	Nagata .....	D6/335
8,421,407	B2	4/2013	Johnson	
D688,475	S	8/2013	Blet et al.	
D690,118	S *	9/2013	Grandin .....	D6/332
8,528,972	B2	9/2013	Johnson	
8,536,737	B2	9/2013	Azancot et al.	
8,624,750	B2	1/2014	Azancot et al.	
8,625,255	B2	1/2014	Linnane et al.	
D699,456	S	2/2014	Bosman	
D699,457	S	2/2014	Bosman	
D699,461	S *	2/2014	Bosman .....	D6/371
8,721,000	B2 *	5/2014	Nguyen .....	A47C 7/402 297/158.1
8,857,348	B2	10/2014	Gevaert et al.	
D731,216	S *	6/2015	Sorel .....	D6/690
D739,156	S	9/2015	Webb	
D740,039	S *	10/2015	Bouroullec .....	D6/335
D743,181	S	11/2015	Cardona	
D743,712	S	11/2015	Behar et al.	
D761,029	S *	7/2016	Behar .....	D6/336
D761,048	S *	7/2016	Behar .....	D6/716
D774,339	S *	12/2016	Parshad .....	D6/714
D787,206	S *	5/2017	Webb .....	D6/335
D794,344	S *	8/2017	MacAllen .....	D6/335
2004/0026998	A1	2/2004	Henriott et al.	
2012/0119629	A1	5/2012	Nelson et al.	
2014/0054961	A1	2/2014	Metcalf et al.	
2014/0091638	A1	4/2014	Azancot et al.	
2014/0118892	A1	5/2014	Makwinski et al.	
2015/0091389	A1	4/2015	Byrne et al.	
2015/0091522	A1	4/2015	Byrne et al.	

\* cited by examiner

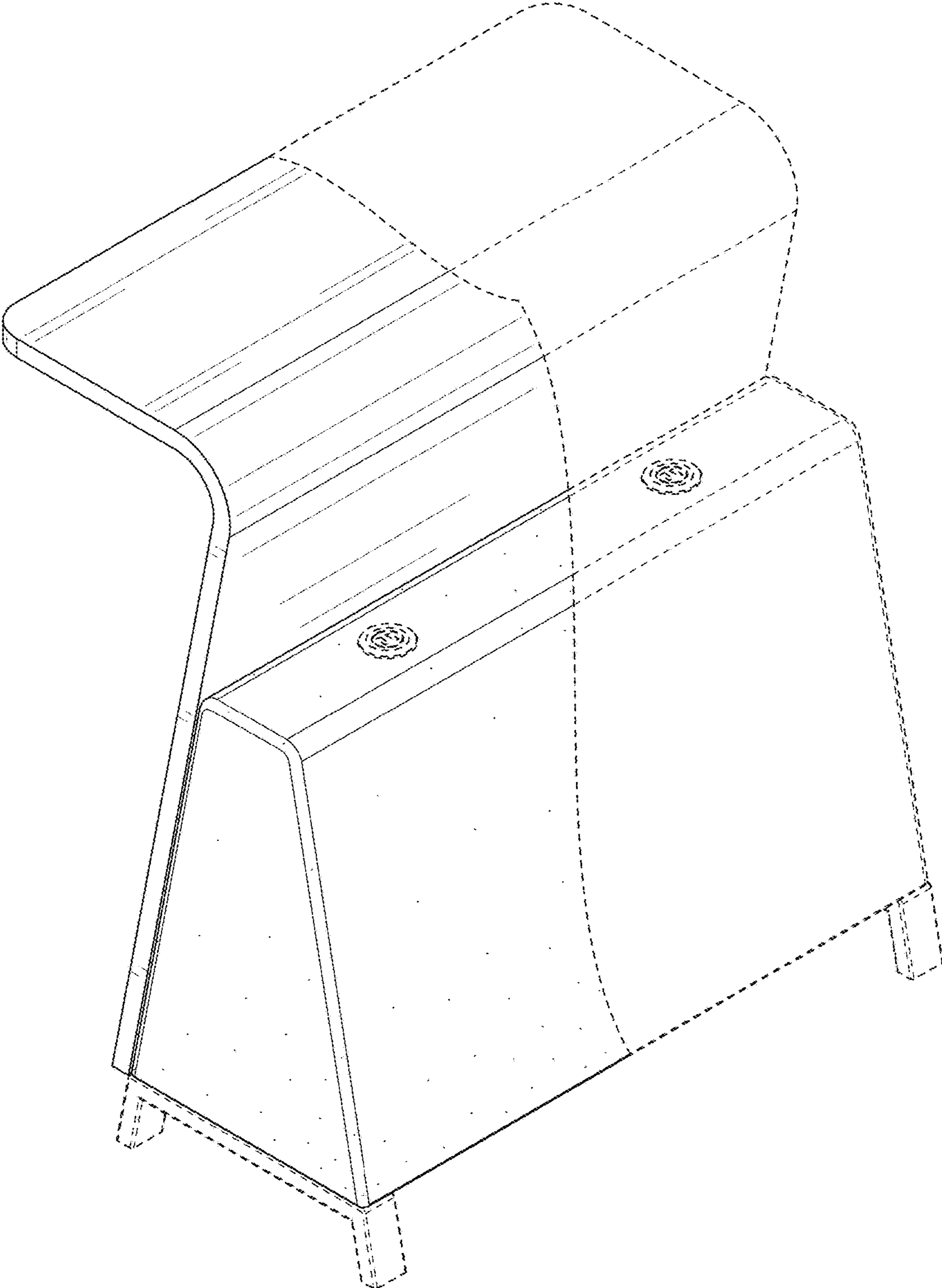


FIG. 1

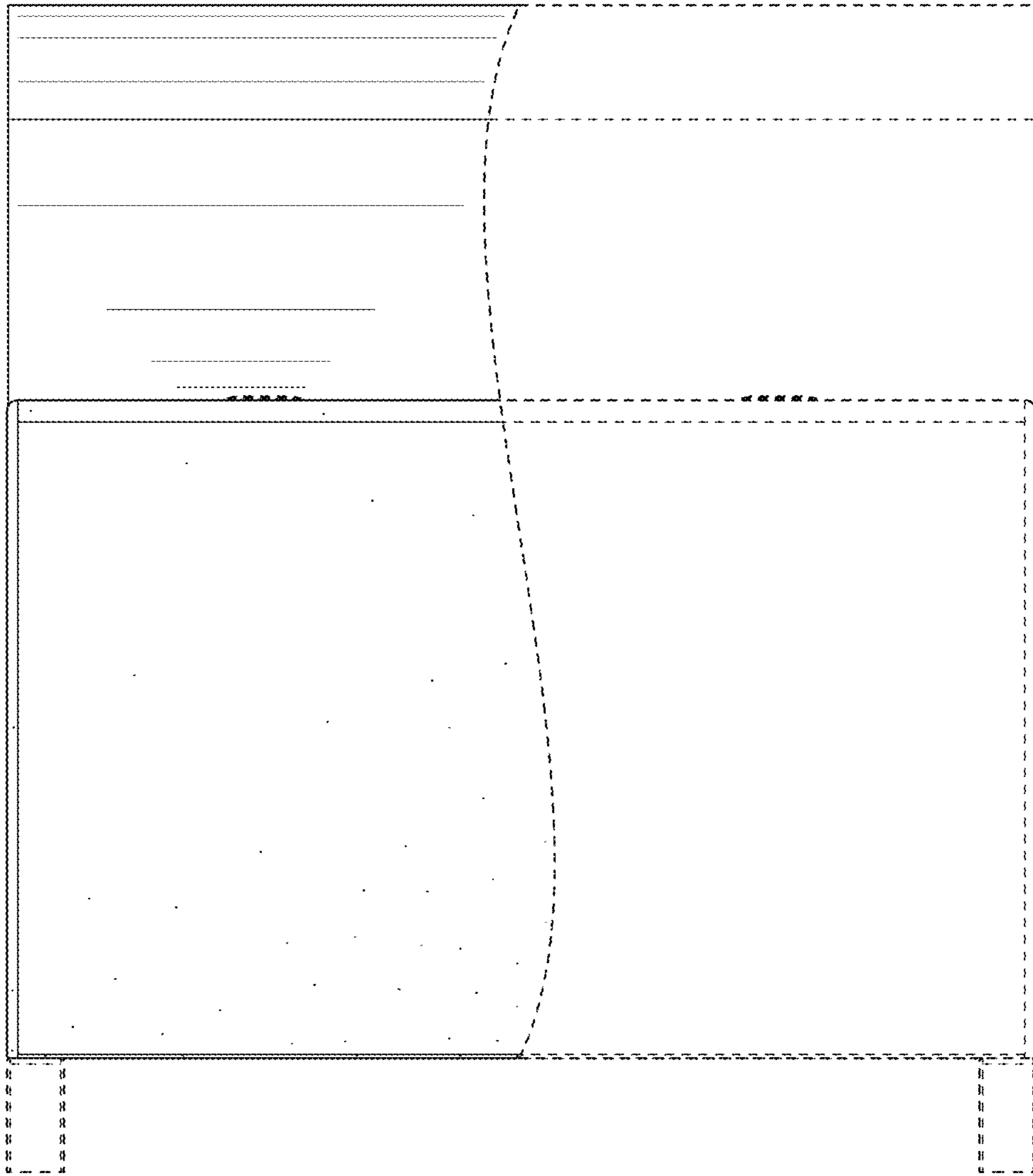


FIG. 2

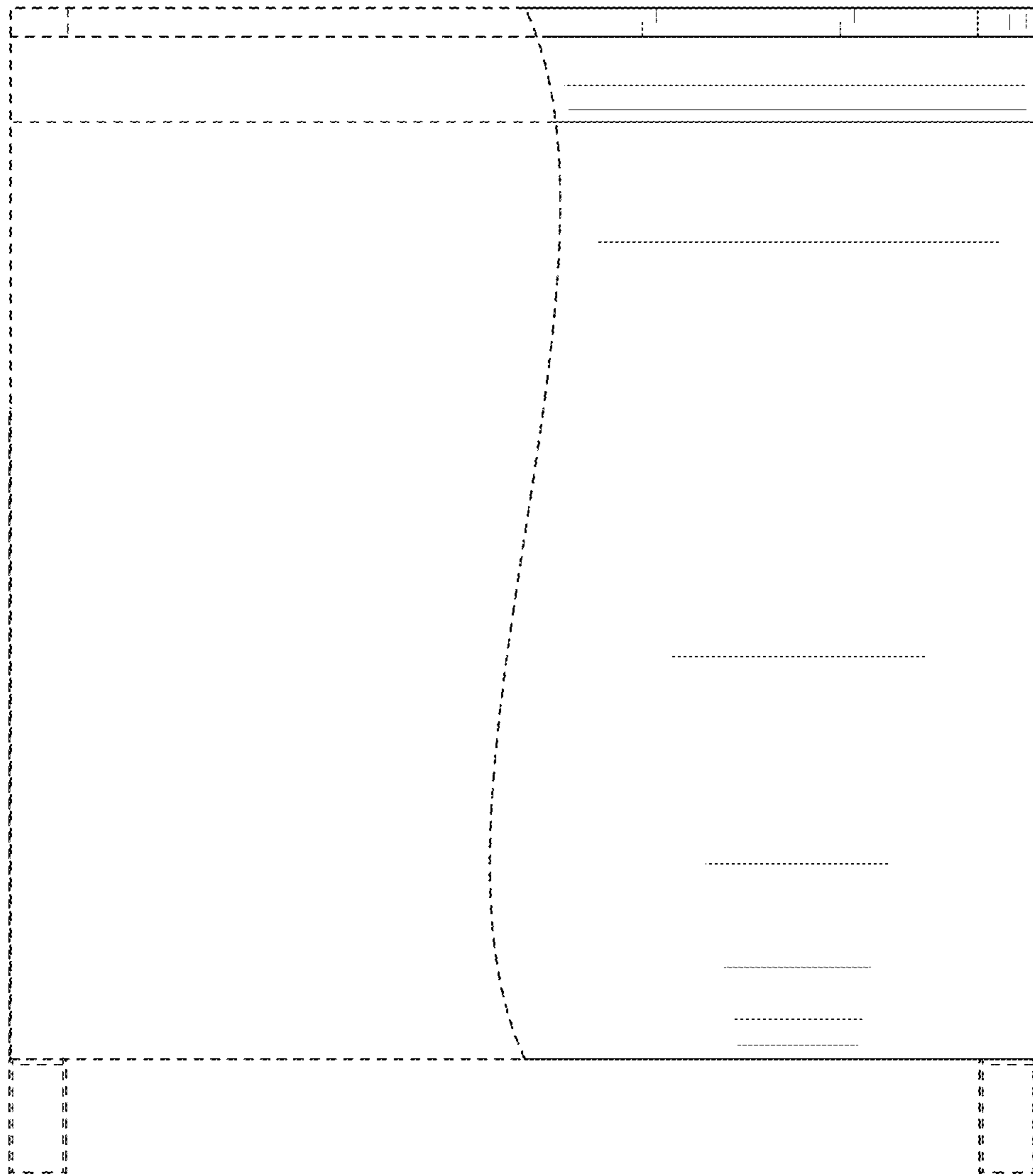


FIG. 3

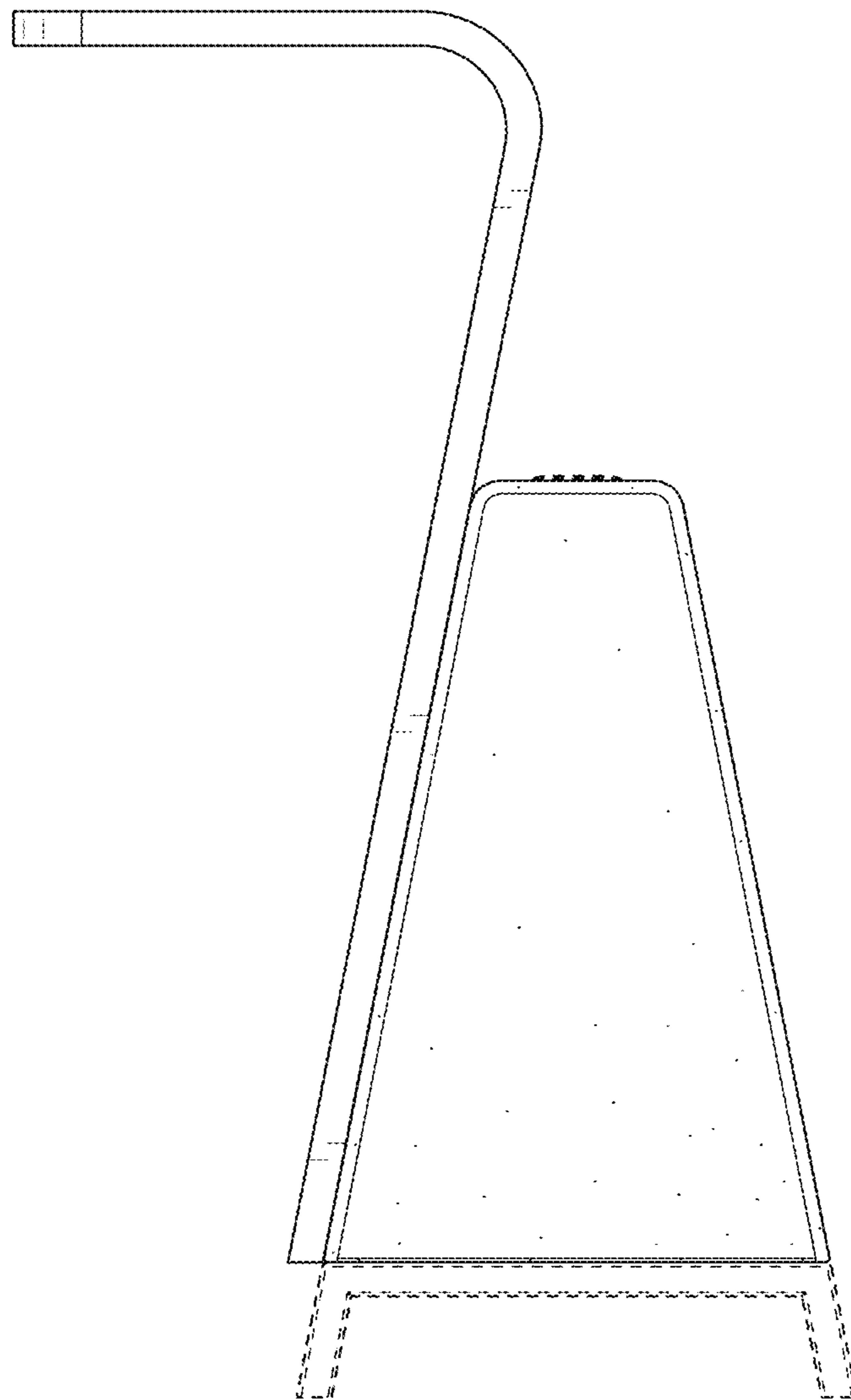


FIG. 4

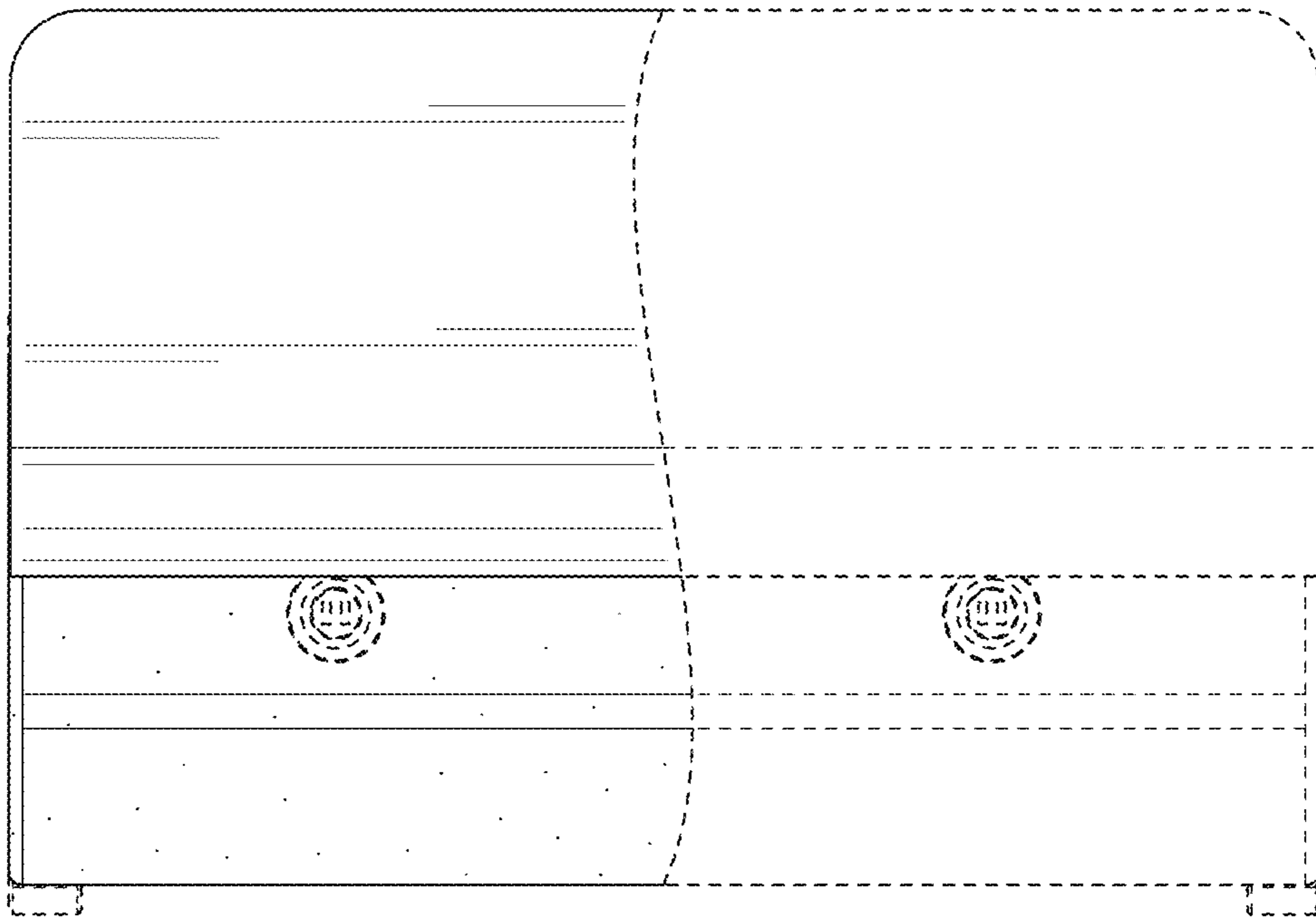


FIG. 5