



US00D811757S

(12) **United States Design Patent**
Moscheri

(10) **Patent No.:** **US D811,757 S**
(45) **Date of Patent:** **** Mar. 6, 2018**

(54) **ARM CHAIR**

(71) Applicant: **Daniele Lo Scalzo Moscheri**, Milan
(IT)

(72) Inventor: **Daniele Lo Scalzo Moscheri**, Milan
(IT)

(**) Term: **15 Years**

(21) Appl. No.: **29/593,266**

(22) Filed: **Feb. 7, 2017**

(51) **LOC (11) Cl.** **06-01**

(52) **U.S. Cl.**
USPC **D6/334**; D6/374

(58) **Field of Classification Search**
USPC D6/334, 335, 336, 360, 361, 367, 368,
D6/371-375, 379-381, 716, 716.1-716.8
CPC A47C 7/00; A47C 7/62; A47C 7/18; A47C
7/54; A47C 4/00; A47C 4/028; A47C
4/28; A47C 3/16; A47C 3/04; A47C 3/12;
A47C 1/02; A47C 1/14

See application file for complete search history.

(56) **References Cited**

U.S. PATENT DOCUMENTS

D177,886 S *	5/1956	Thaden	D6/375
D181,945 S *	1/1958	Saarinen	D6/365
D205,939 S *	10/1966	Laverne	D6/375
3,281,185 A *	10/1966	Albinson	A47C 5/12 297/218.5
D211,463 S *	6/1968	Platner	D6/364
D211,464 S *	6/1968	Platner	D6/364

D225,599 S *	12/1972	Hutchinson	D6/363
D237,664 S *	11/1975	Costabile	D6/365
D327,583 S *	7/1992	Dettinger	D6/334
D386,909 S *	12/1997	Mourgue	D6/334
D386,910 S *	12/1997	Saiger	D6/334
D615,314 S *	5/2010	Charoenapornwatana ...	D6/373
D706,053 S *	6/2014	Schwamkrug	D6/374
D713,164 S *	9/2014	Pedersen	D6/373
D742,132 S *	11/2015	Morrison	D6/375
D742,658 S *	11/2015	Bisman	D6/374
D746,609 S *	1/2016	Lievore	D6/375
D751,838 S *	3/2016	Ciani	D6/381
D759,397 S *	6/2016	Wu	D6/366
D798,068 S *	9/2017	Iqbal	D6/334
D798,069 S *	9/2017	Iqbal	D6/334

* cited by examiner

Primary Examiner — Deanna L Pratt

(74) *Attorney, Agent, or Firm* — Najafi Law, PA; Ashkan Najafi

(57) **CLAIM**

The ornamental design for an arm chair, as shown and described.

DESCRIPTION

FIG. 1 is a perspective view of an arm chair showing my new design;

FIG. 2 is a front elevational view thereof;

FIG. 3 is a rear elevational view thereof;

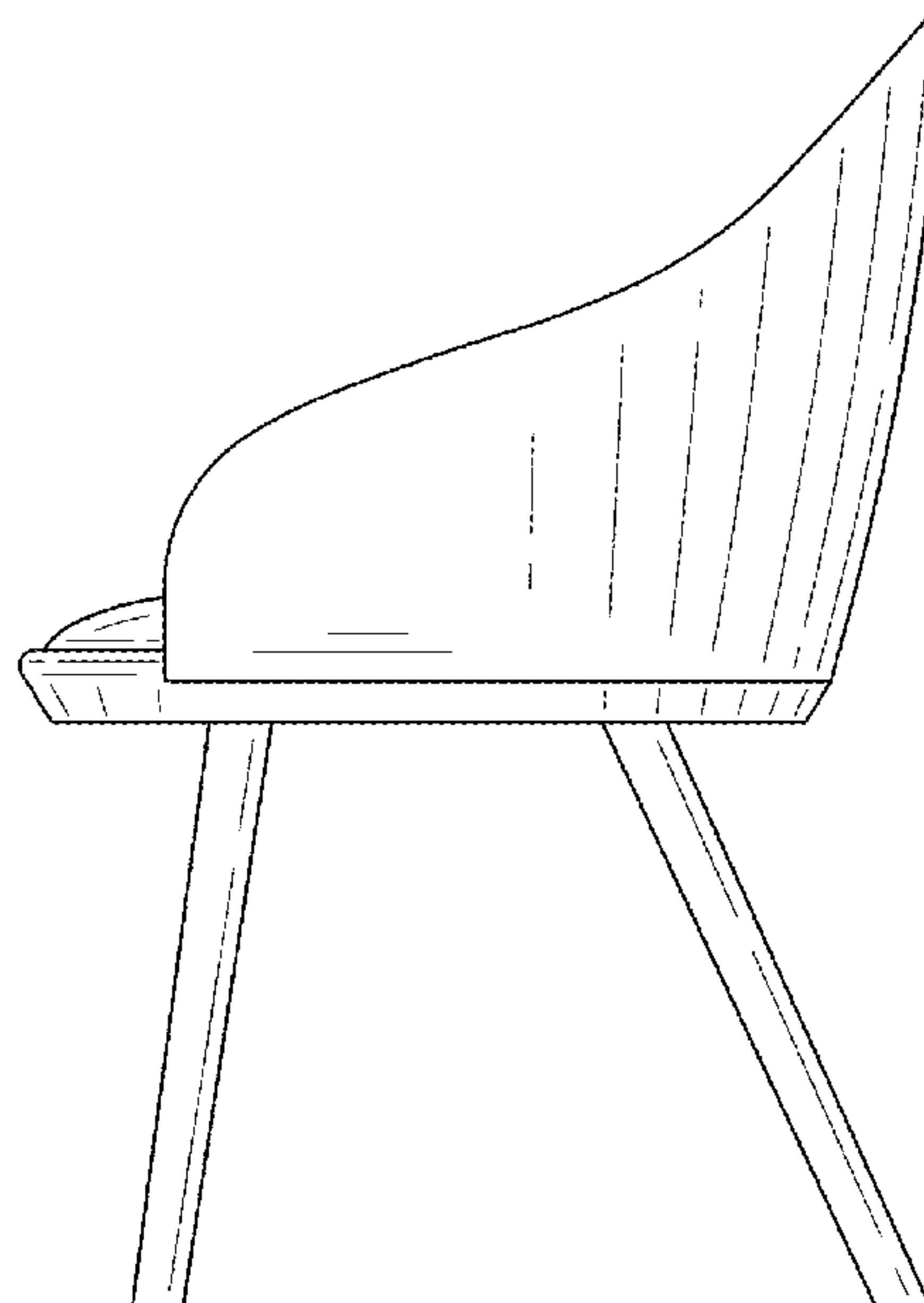
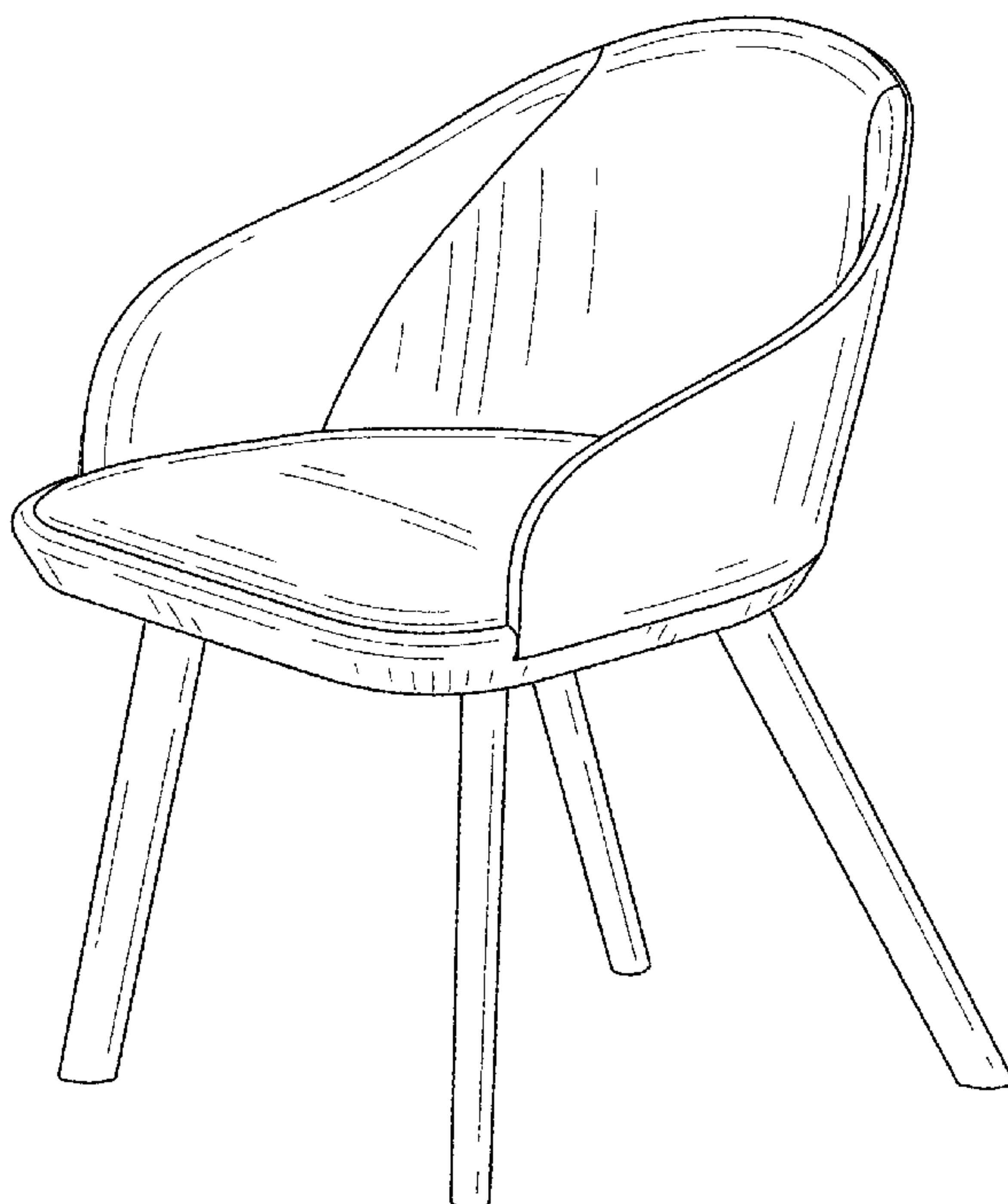
FIG. 4 is a left side elevational view thereof;

FIG. 5 is a right side elevational thereof;

FIG. 6 is a top plan view thereof; and,

FIG. 7 is a bottom plan view thereof.

1 Claim, 4 Drawing Sheets



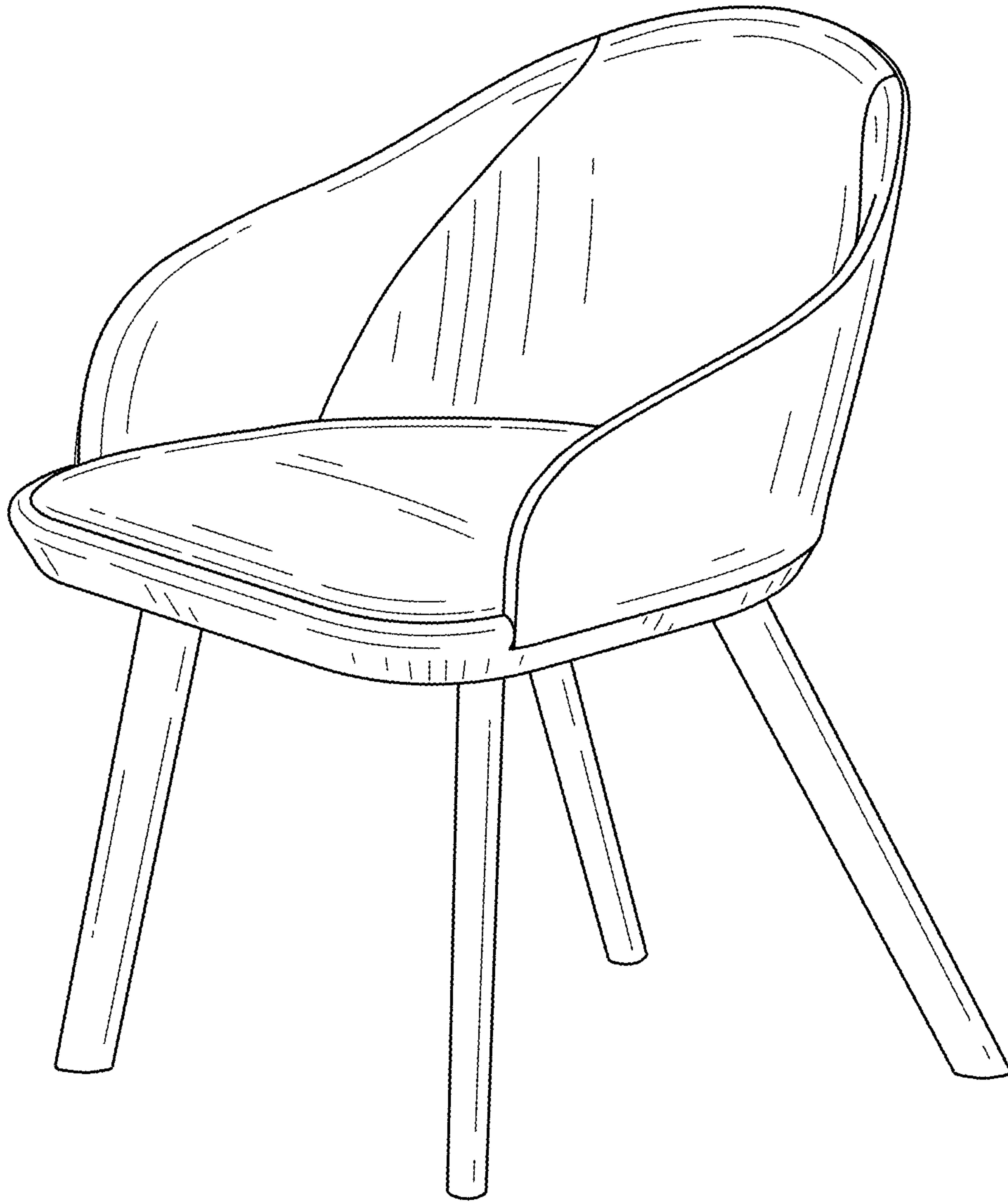


FIG. 1

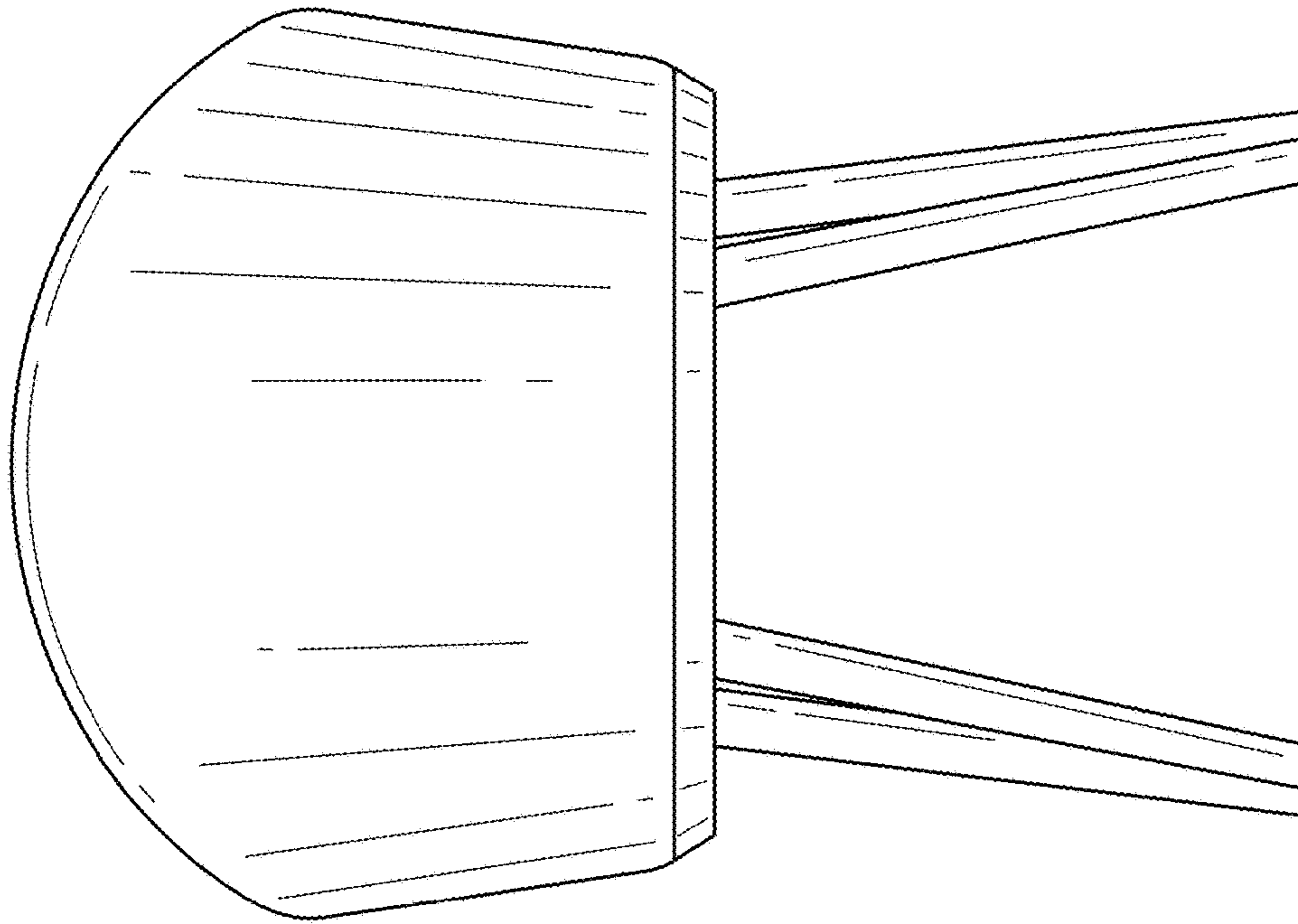


FIG. 3

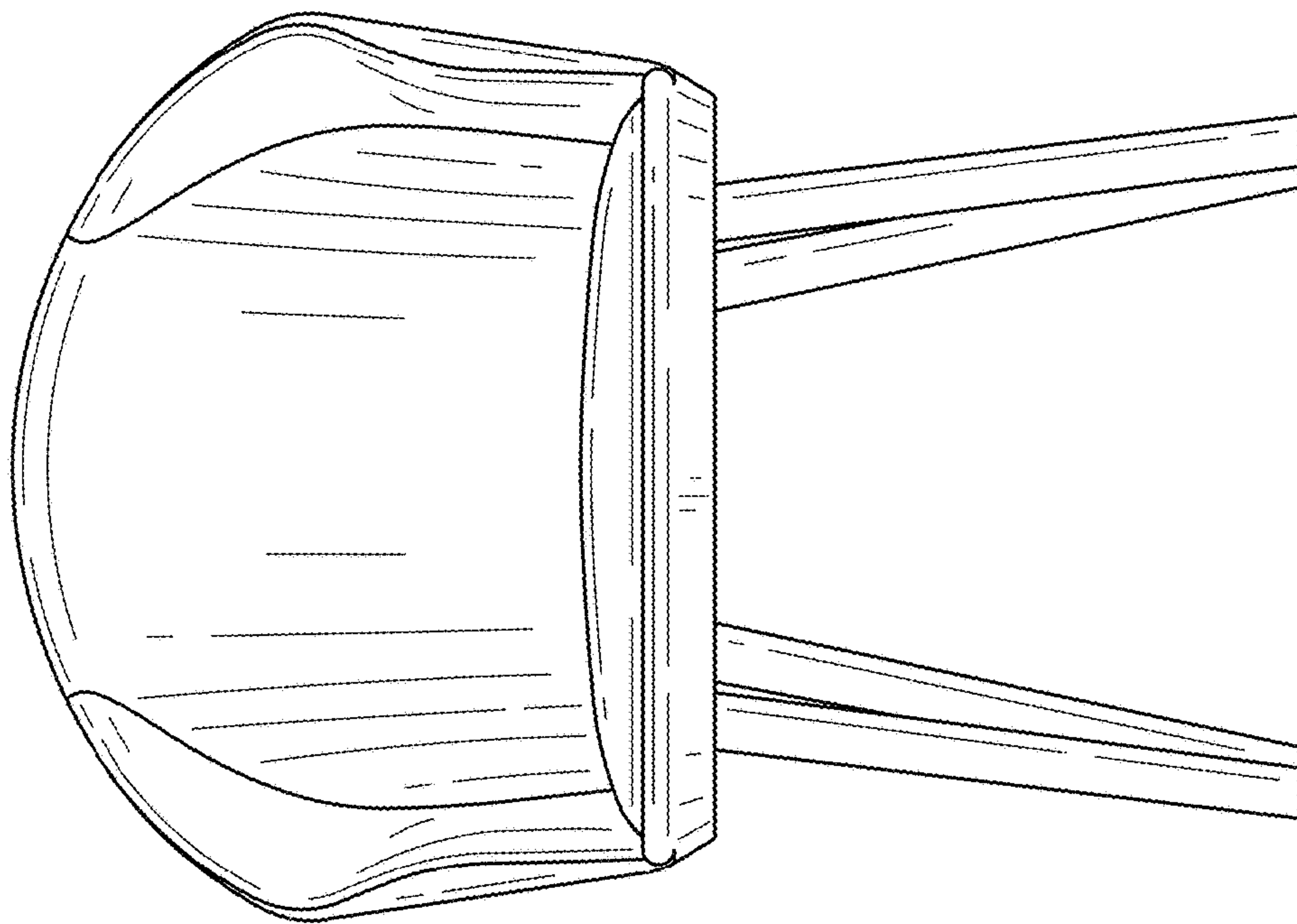


FIG. 2

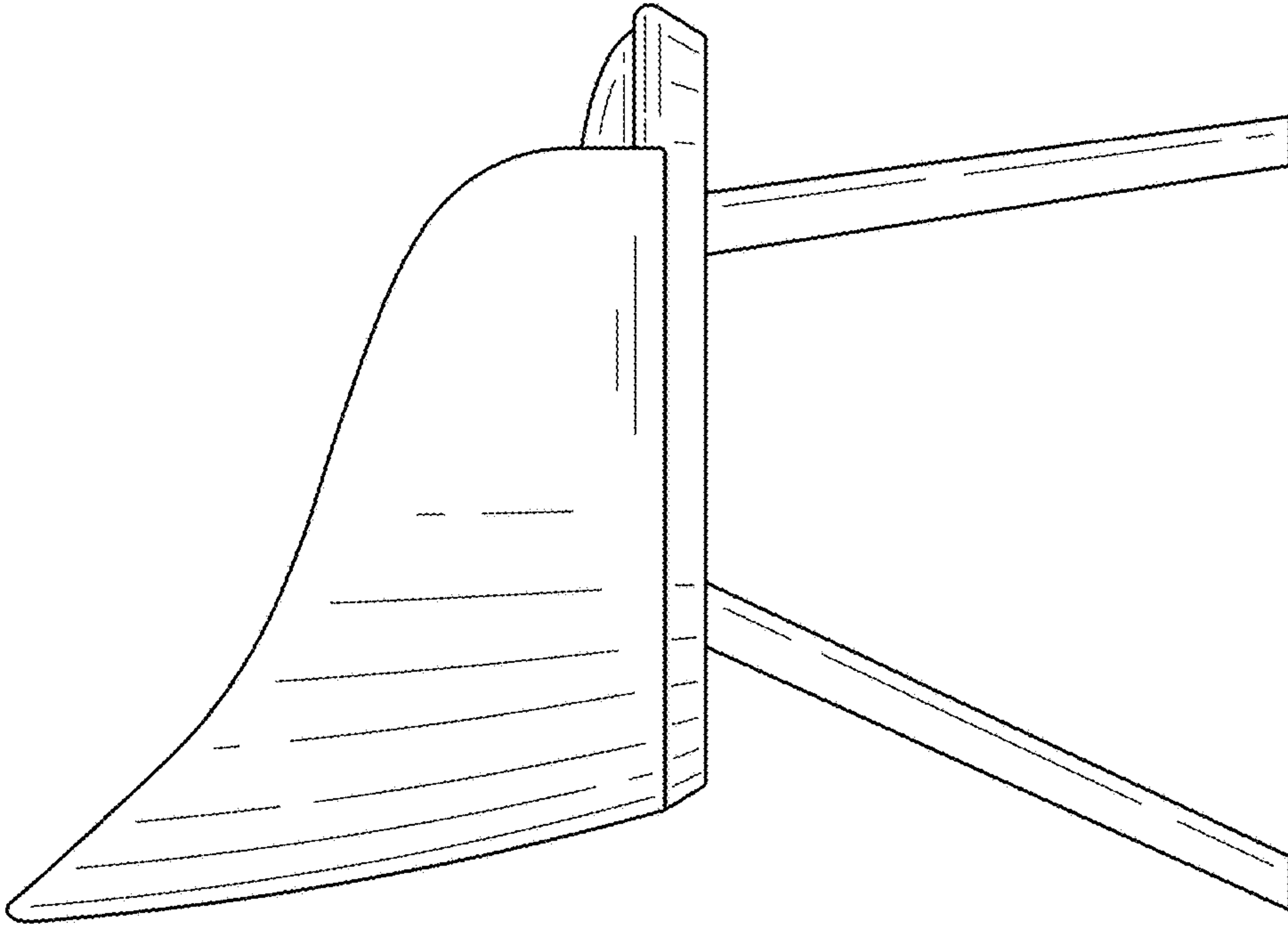


FIG. 5

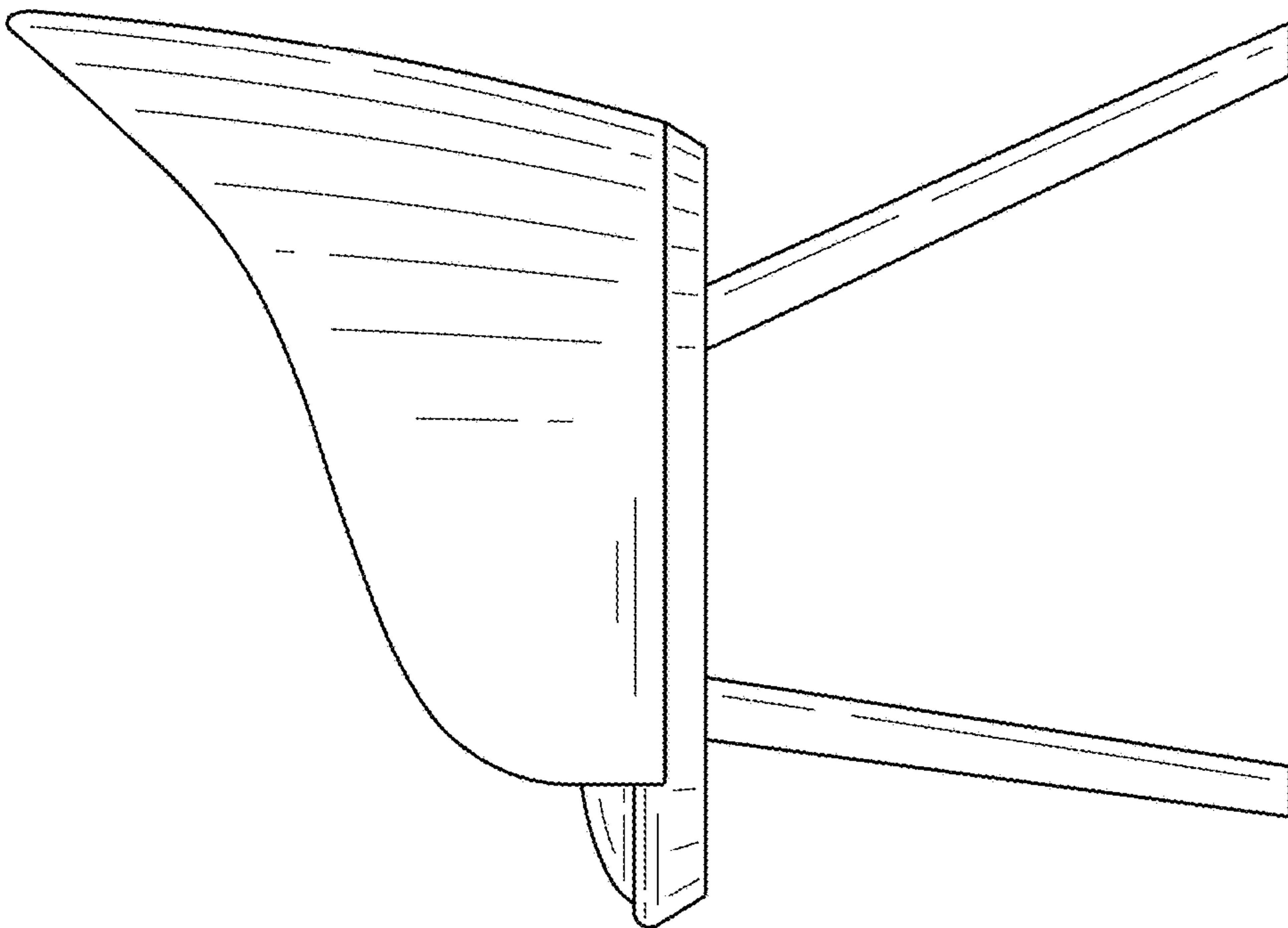


FIG. 4

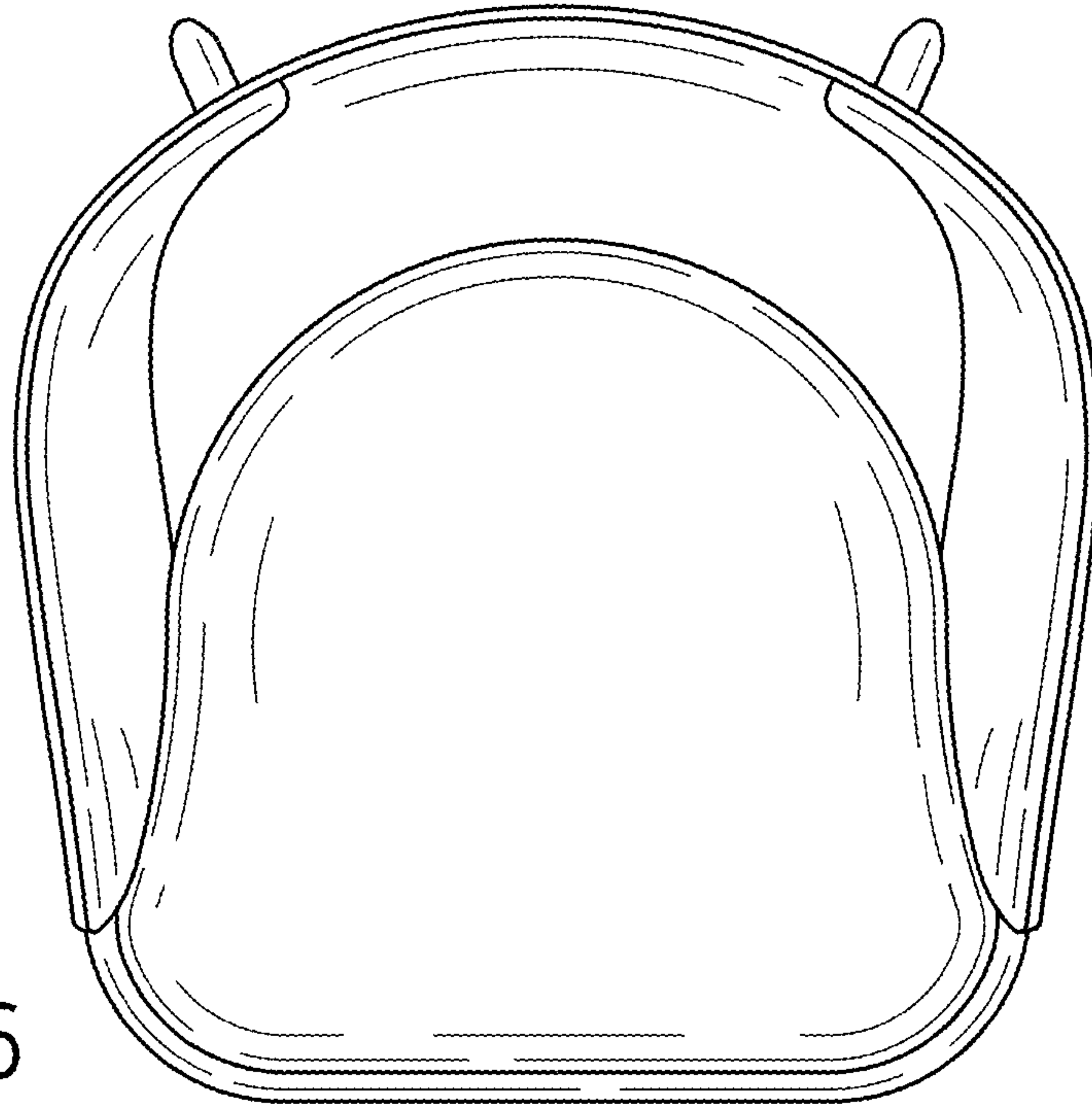


FIG. 6

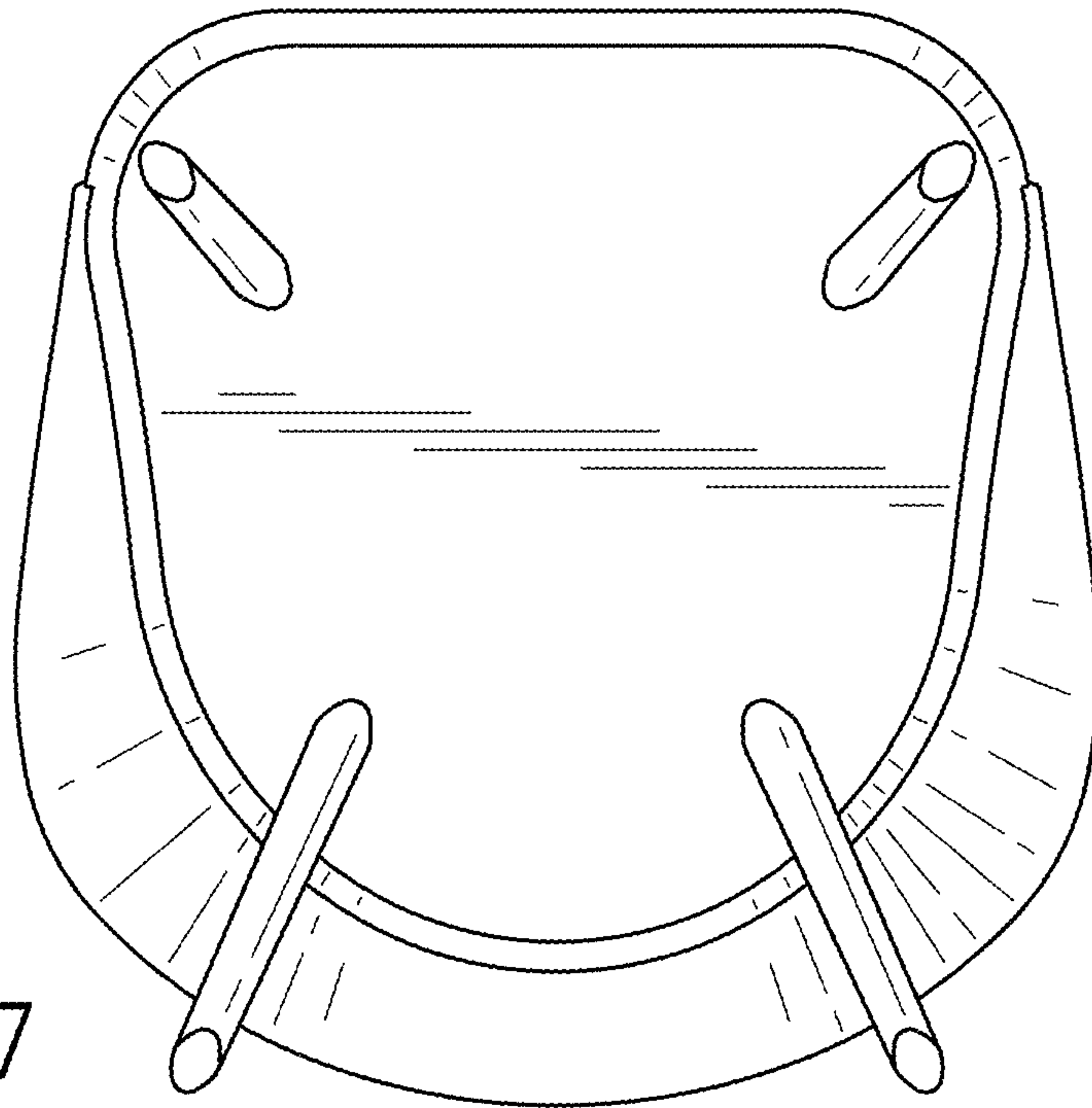


FIG. 7