



US00D811756S

(12) **United States Design Patent** (10) **Patent No.:** **US D811,756 S**  
**Woods** (45) **Date of Patent:** **\*\* Mar. 6, 2018**

- (54) **LOUNGE END**
- (71) Applicant: **Kimball International, Inc.**, Jasper, IN (US)
- (72) Inventor: **Donald Woods**, Celestine, IN (US)
- (73) Assignee: **Kimball International, Inc.**, Jasper, IN (US)
- (\*\*) Term: **15 Years**
- (21) Appl. No.: **29/588,177**
- (22) Filed: **Dec. 19, 2016**
- (51) **LOC (11) Cl.** ..... **06-01**
- (52) **U.S. Cl.**  
USPC ..... **D6/334**
- (58) **Field of Classification Search**  
USPC ..... D6/329, 332, 334, 335, 336, 338, 342, D6/374, 643, 641, 642, 686, 691.4, 702, D6/713, 714, 716, 716.1, 716.4, 698  
CPC ..... A47B 83/02; A47B 83/00; A47B 83/001; A47B 83/003; A47B 83/005; A47B 87/00; A47C 13/00; A47C 13/005; A47C 7/62; A47C 7/70; A47C 7/36; A47C 7/38; A47C 7/40  
See application file for complete search history.

- D510,486 S \* 10/2005 Karl ..... D6/334
- 7,347,493 B2 3/2008 Mulmed
- D566,980 S \* 4/2008 Mourgue ..... D6/381
- D567,526 S \* 4/2008 Williams ..... D6/381
- D577,211 S \* 9/2008 Natuzzi ..... D6/334
- D589,283 S 3/2009 Stangdell
- D624,328 S 9/2010 Grandin et al.
- D639,083 S \* 6/2011 Martin ..... D6/381
- D646,072 S \* 10/2011 Katina ..... D6/374
- 8,061,864 B2 11/2011 Metcalf et al.
- 8,075,054 B2 12/2011 Smith
- D657,155 S 4/2012 Grandin et al.
- D668,892 S \* 10/2012 Metcalf ..... D6/717
- 8,283,812 B2 10/2012 Azancot et al.
- D671,341 S \* 11/2012 Metcalf ..... D6/717
- D675,453 S 2/2013 Blet et al.
- D680,762 S \* 4/2013 Nagata ..... D6/335

(Continued)

**FOREIGN PATENT DOCUMENTS**

CN	202636171	1/2013
GB	2497773	6/2013
KR	20140120438	10/2014

*Primary Examiner* — Deanna L Pratt  
(74) *Attorney, Agent, or Firm* — Faegre Baker Daniels LLP

(57) **CLAIM**

The ornamental design for a lounge end, as shown and described.

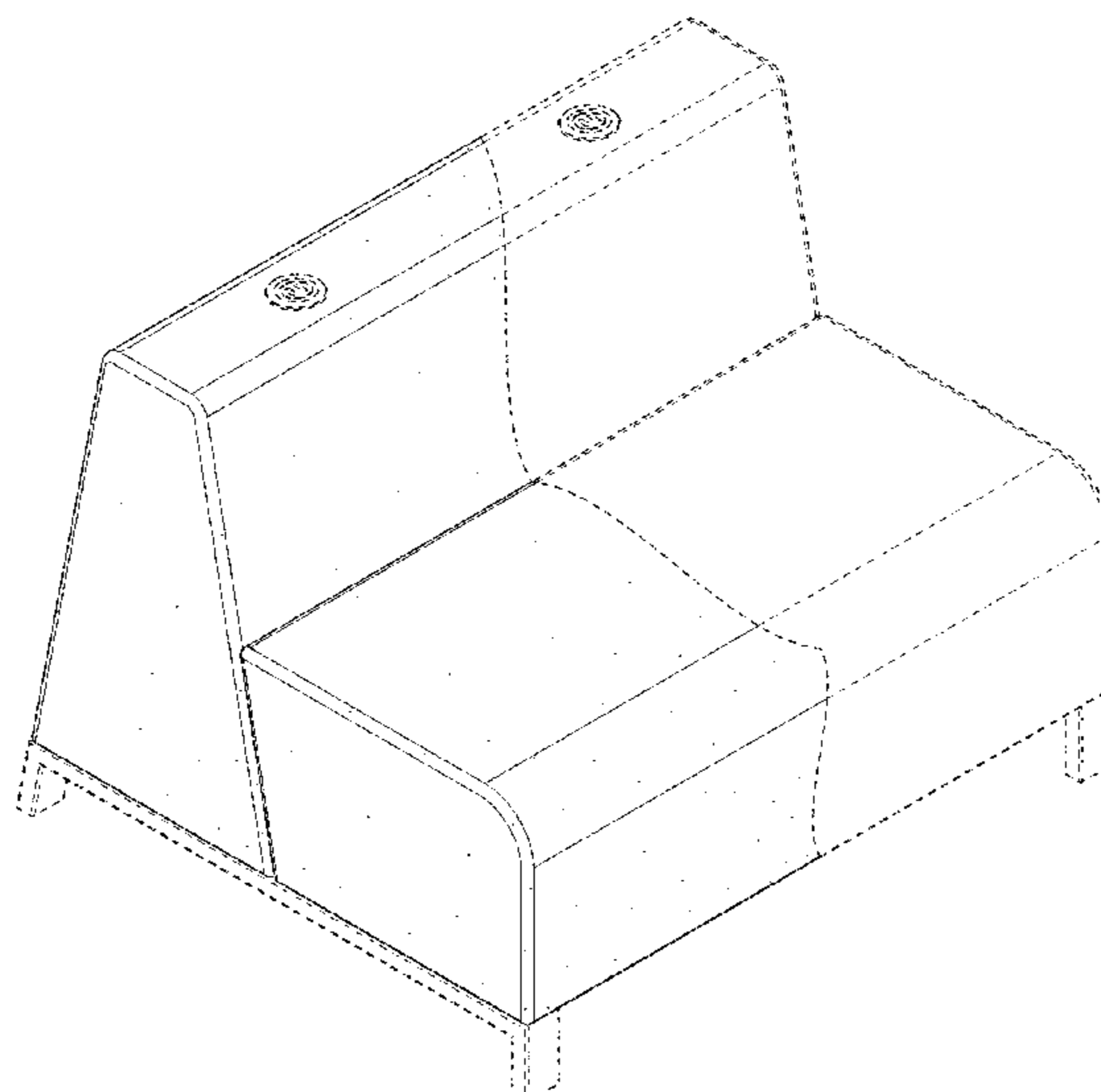
**DESCRIPTION**

FIG. 1 is a front perspective view of a lounge end of my new design;  
FIG. 2 is a front view thereof;  
FIG. 3 is a rear view thereof;  
FIG. 4 is a side view thereof; and,  
FIG. 5 is a top view thereof.  
Features shown in broken lines form no part of the claimed design.

**1 Claim, 5 Drawing Sheets**

(56) **References Cited**  
U.S. PATENT DOCUMENTS

D92,703 S	7/1934	Crego	
D264,027 S *	4/1982	Aronowitz	D6/364
4,374,354 A	2/1983	Petrovic et al.	
D395,557 S *	6/1998	Smith	D6/334
D399,660 S *	10/1998	Smith	D6/334
D430,763 S	9/2000	Scheffer	
D457,359 S	5/2002	Chan	
6,447,067 B1 *	9/2002	Williams	A47C 4/021 297/184.11
D476,819 S *	7/2003	Williams	D6/334
6,824,220 B1	11/2004	Davison	



(56)

**References Cited**

## U.S. PATENT DOCUMENTS

8,421,407	B2	4/2013	Johnson	
D688,475	S	8/2013	Blet et al.	
8,528,972	B2	9/2013	Johnson	
8,536,737	B2	9/2013	Azancot et al.	
8,624,750	B2	1/2014	Azancot et al.	
8,625,255	B2	1/2014	Linnane et al.	
D699,456	S	2/2014	Bosman	
D699,457	S	2/2014	Bosman	
D699,460	S *	2/2014	Bosman	D6/371
D699,461	S *	2/2014	Bosman	D6/371
8,721,000	B2 *	5/2014	Nguyen	A47C 7/402 297/158.1
8,857,348	B2	10/2014	Gevaert et al.	
D731,835	S *	6/2015	Schweikarth	D6/717
D739,156	S	9/2015	Webb	
D739,662	S *	9/2015	Webb	D6/334
D740,039	S *	10/2015	Bouroullec	D6/335
D743,181	S	11/2015	Cardona	
D743,712	S	11/2015	Behar et al.	
D751,310	S *	3/2016	Schroeder	D6/364
D774,321	S *	12/2016	Webb	D6/381
D795,604	S *	8/2017	Webb	D6/381
2004/0026998	A1	2/2004	Henriott et al.	
2012/0119629	A1	5/2012	Nelson et al.	
2014/0054961	A1	2/2014	Metcalf et al.	
2014/0091638	A1	4/2014	Azancot et al.	
2014/0118892	A1	5/2014	Makwinski et al.	
2015/0091389	A1	4/2015	Byrne et al.	
2015/0091522	A1	4/2015	Byrne et al.	

\* cited by examiner

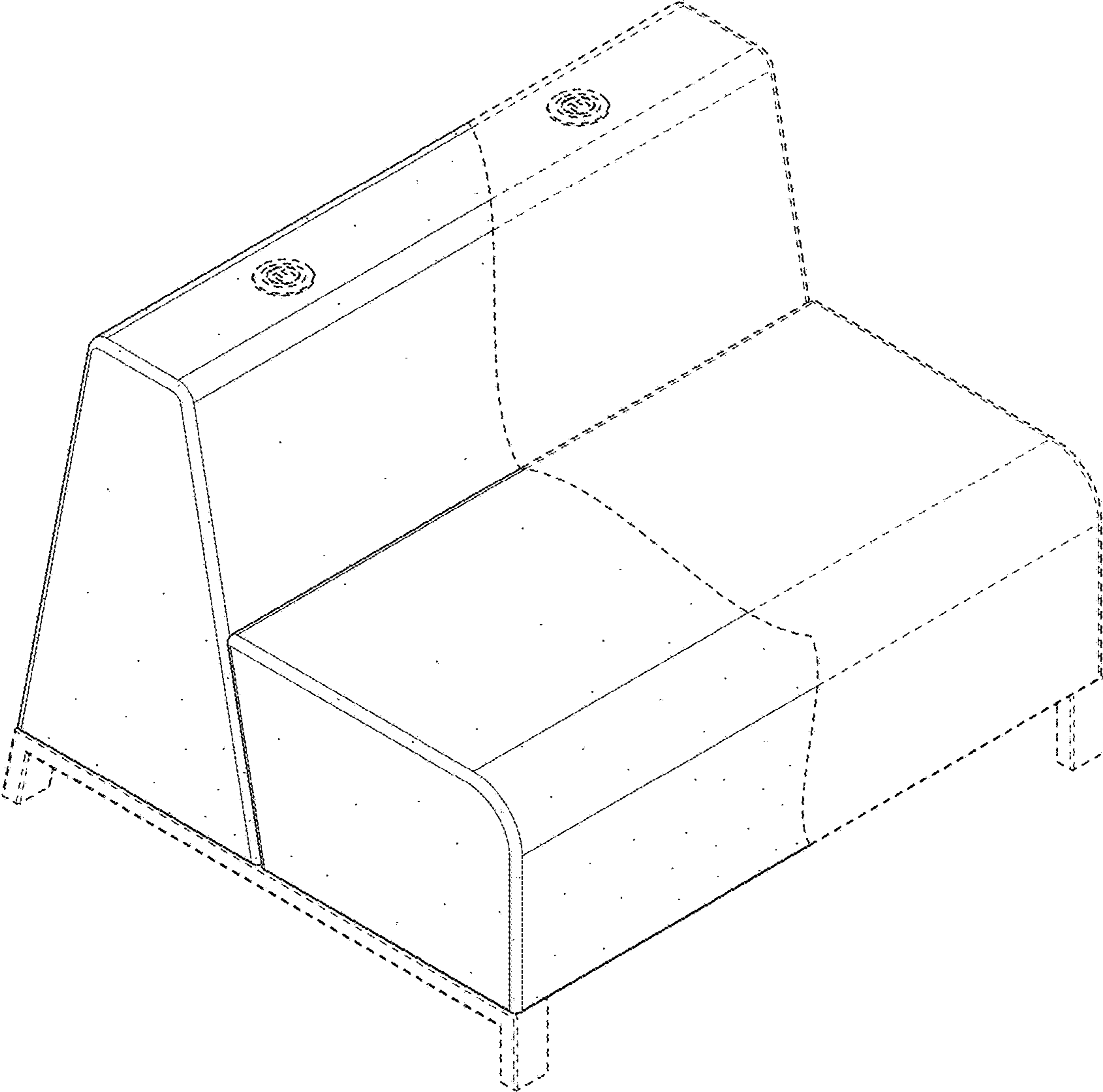


FIG. 1

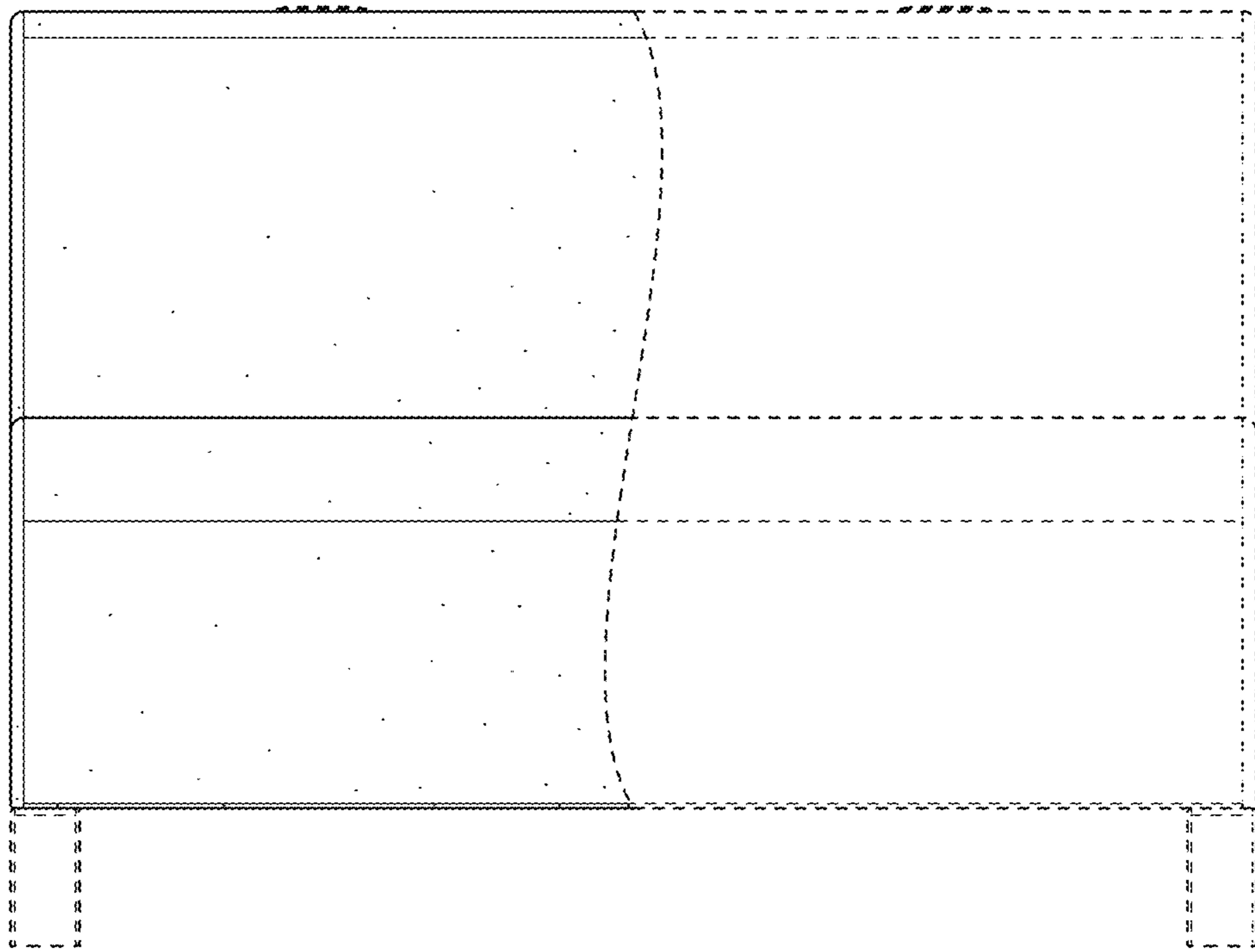


FIG. 2

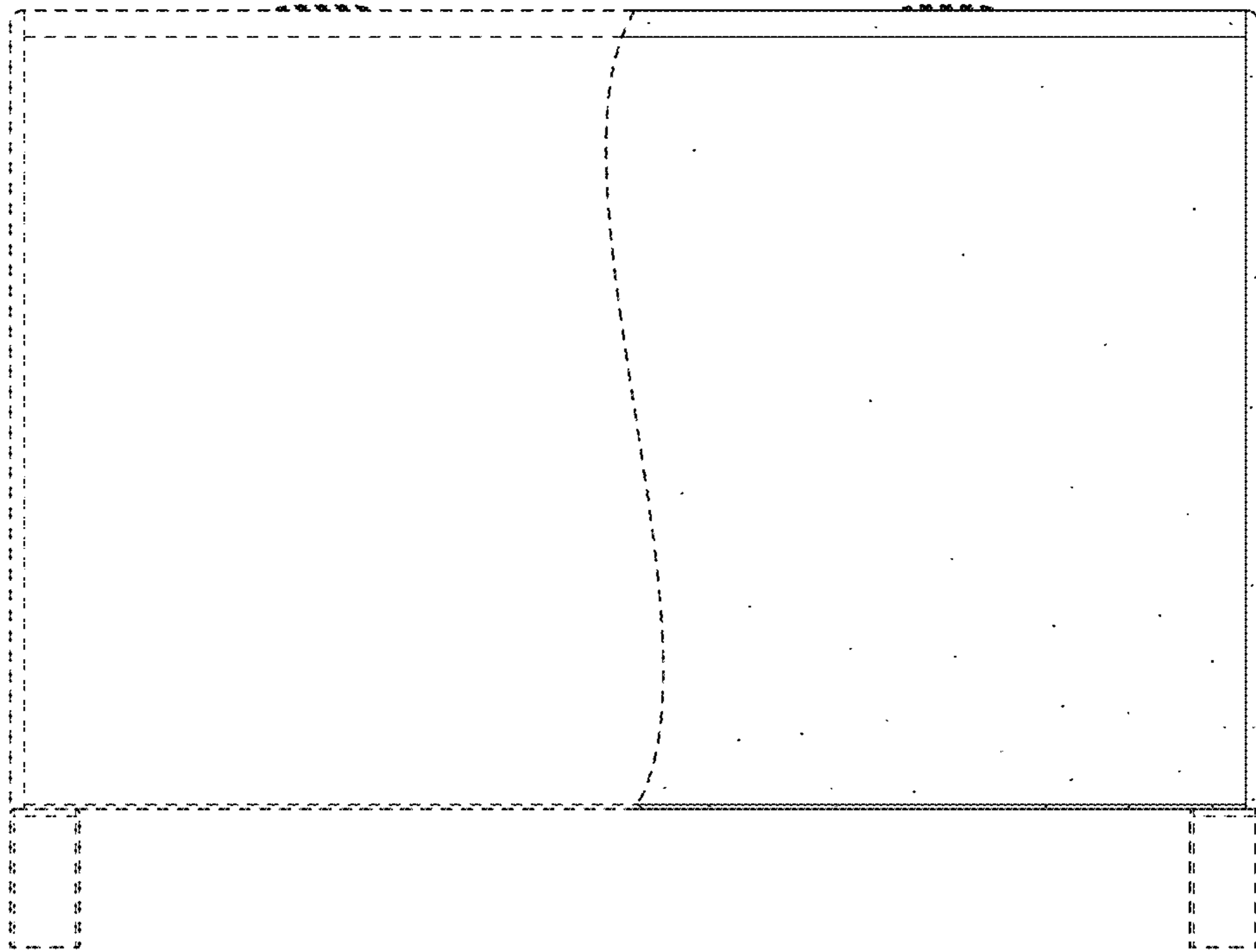


FIG. 3

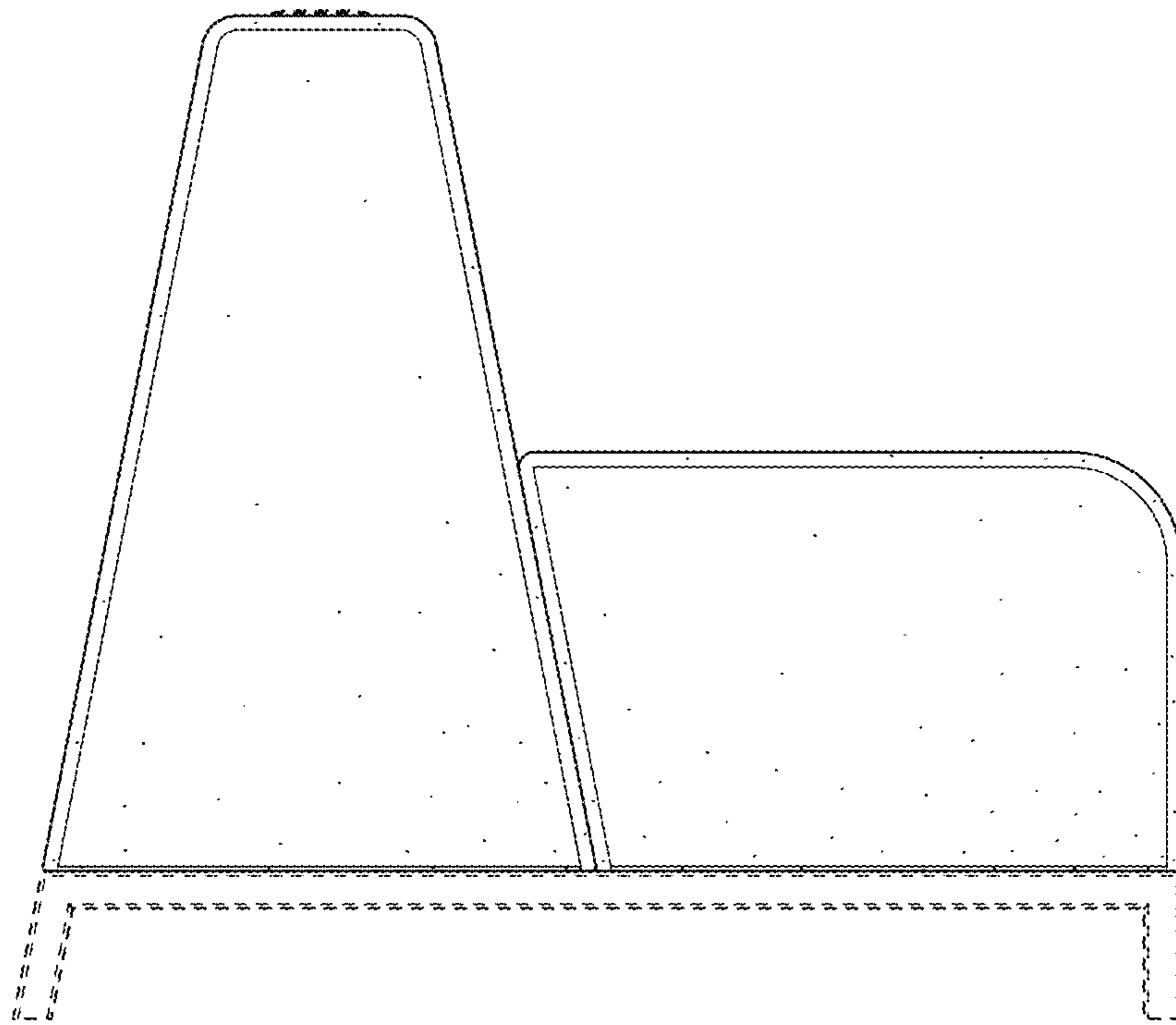


FIG. 4

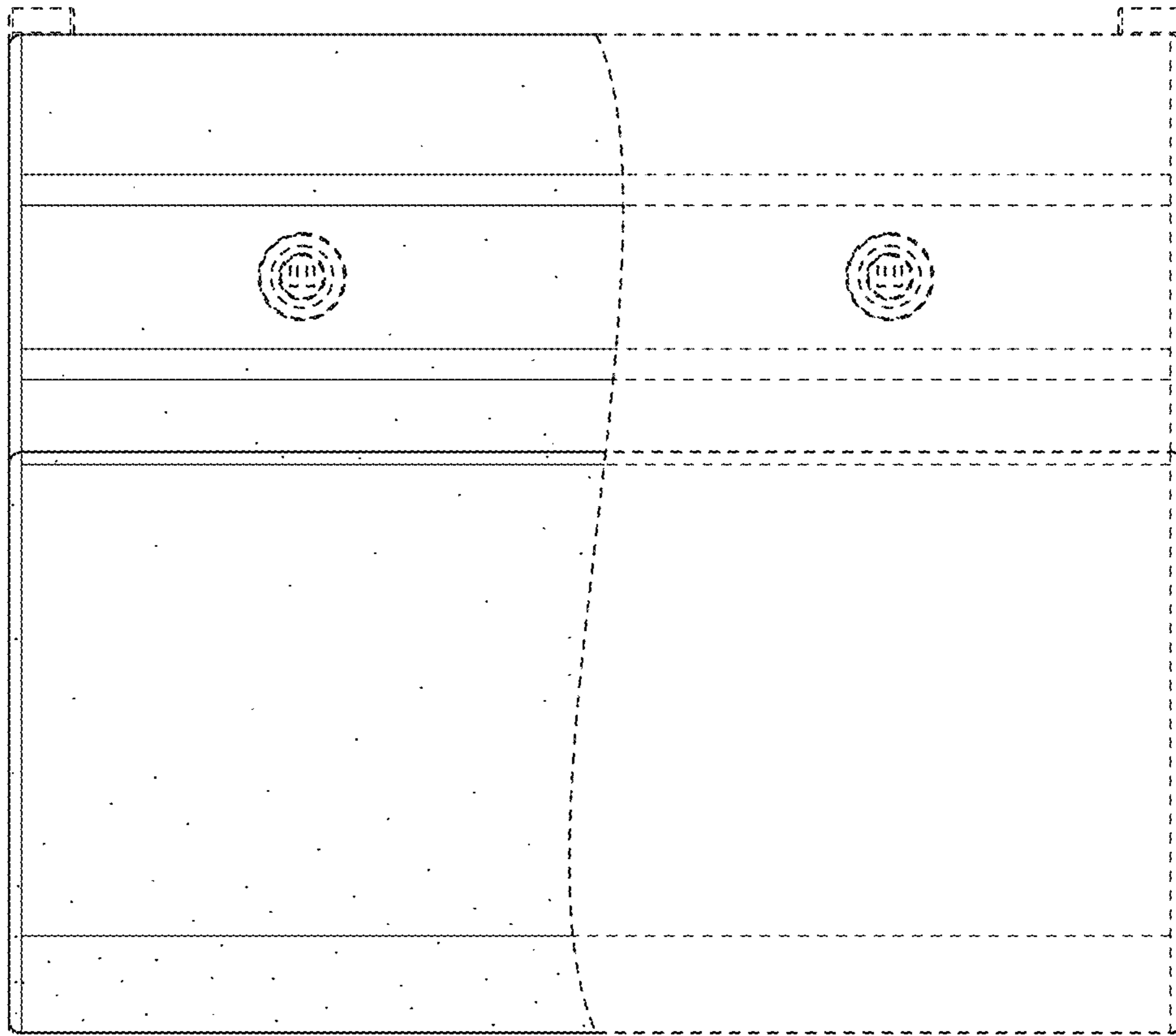


FIG. 5