



US00D811755S

(12) **United States Design Patent**
Taylor

(10) **Patent No.:** **US D811,755 S**
(45) **Date of Patent:** **** Mar. 6, 2018**

- (54) **CLOTHES HANGER**
- (71) Applicant: **The Janger Limited**, London (GB)
- (72) Inventor: **Guy Taylor**, London (GB)
- (73) Assignee: **The Janger Limited**, London (GB)
- (**) Term: **15 Years**
- (21) Appl. No.: **29/587,983**
- (22) Filed: **Dec. 16, 2016**
- (30) **Foreign Application Priority Data**
Nov. 10, 2016 (EM) 003456797-0001
- (51) **LOC (11) Cl.** **06-08**
- (52) **U.S. Cl.**
USPC **D6/323**
- (58) **Field of Classification Search**
USPC D6/315-328; 248/322, 339, 340, 692;
D8/367
CPC A47G 25/32; A47G 25/28; A47G 25/442;
A47G 25/20; A47G 25/24; A47G
25/1421; A47G 25/1428; A47G 25/06;
A47G 25/52; A47G 25/38; A47G 25/50;
A47G 25/183; A47G 25/70; A47G
25/0607; A47G 2025/448; A47G 25/1414;
A47G 25/0678; A47G 25/44; A47F 7/19;
A47F 5/01; A47F 5/13
See application file for complete search history.

- (56) **References Cited**
U.S. PATENT DOCUMENTS
1,480,829 A * 1/1924 Moran A47G 25/0607
211/31
3,212,647 A * 10/1965 Meyer A47G 25/1457
211/118
3,949,914 A * 4/1976 Ostroll A47G 25/1414
223/85

- 4,450,639 A * 5/1984 Duester A47G 25/1414
223/85
- D287,908 S * 1/1987 Fox D6/328
- 5,222,638 A * 6/1993 Kolton A47G 25/743
223/85
- D349,864 S * 8/1994 Dunlap D10/32
- D366,366 S * 1/1996 Restaino D6/315
- 5,505,351 A * 4/1996 Najarian A41D 25/02
206/294
- 6,019,260 A * 2/2000 Gouldson A47G 25/1435
223/85
- 6,299,039 B1 * 10/2001 Hsu A47F 5/0006
223/85
- D511,087 S * 11/2005 Okamoto D8/354
- D605,417 S * 12/2009 Warren D6/328
- D657,577 S * 4/2012 Coote D6/328
- D735,027 S * 7/2015 Fildan D9/415
- D767,289 S * 9/2016 Taylor D6/323
- D774,317 S * 12/2016 Taylor D6/323

(Continued)

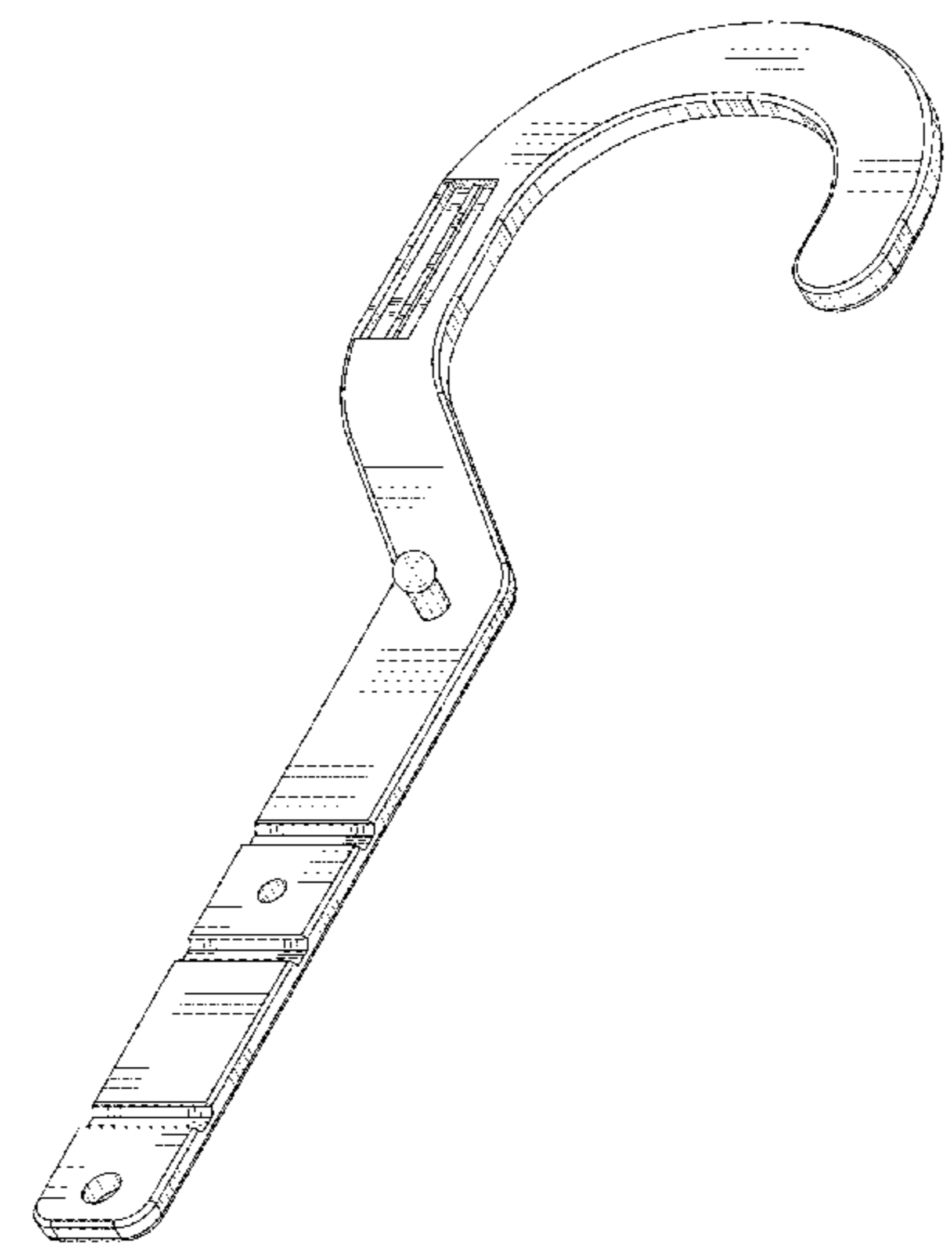
Primary Examiner — Derrick Holland
Assistant Examiner — Lauren Calve
(74) *Attorney, Agent, or Firm* — Renner, Kenner,
Boisselle & Sklar, LLP

(57) **CLAIM**
The ornamental design for a clothes hanger, as shown and described.

DESCRIPTION

FIG. 1 is a perspective view of a clothes hanger showing my design.
FIG. 2 is a front view thereof.
FIG. 3 is a right view thereof.
FIG. 4 is a rear view thereof.
FIG. 5 is a left view thereof.
FIG. 6 is a top view thereof; and,
FIG. 7 is a bottom view thereof.
The broken lines shown represent unclaimed subject matter and form no part of the claimed design.

1 Claim, 7 Drawing Sheets



(56)

References Cited

U.S. PATENT DOCUMENTS

2008/0110943 A1* 5/2008 Kolton A47F 5/0006
223/85
2013/0015215 A1* 1/2013 Coote A47G 25/005
223/85
2014/0097213 A1* 4/2014 Jensen A47G 25/743
223/85

* cited by examiner

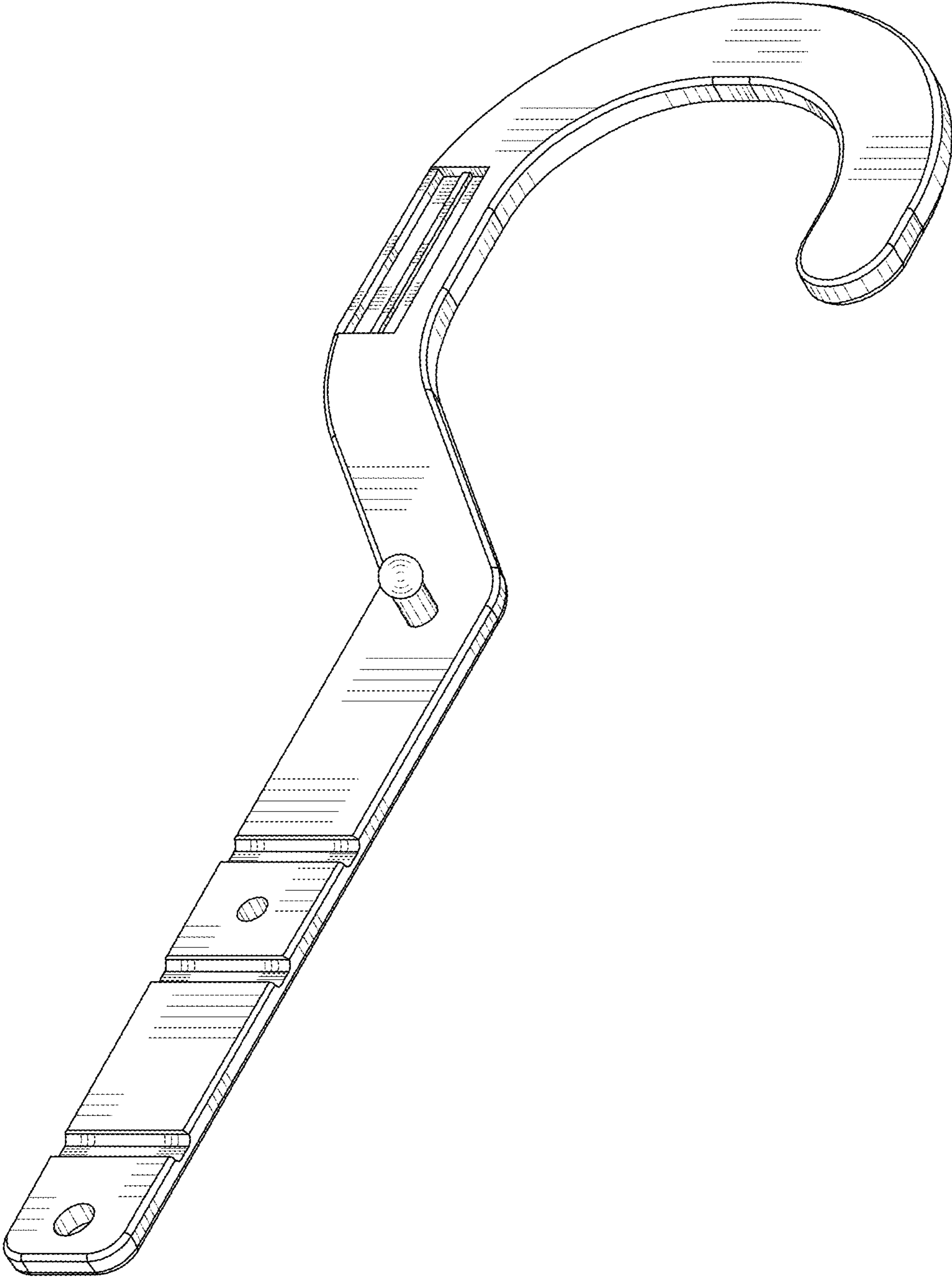


FIG. 1

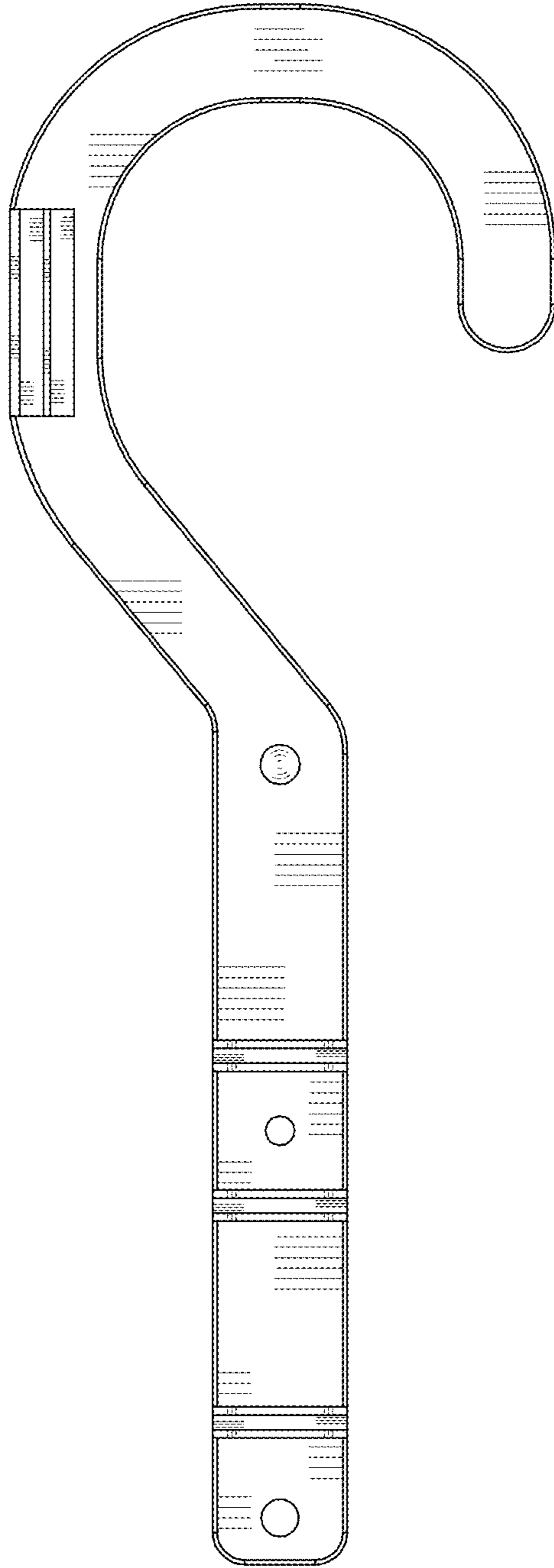


FIG. 2

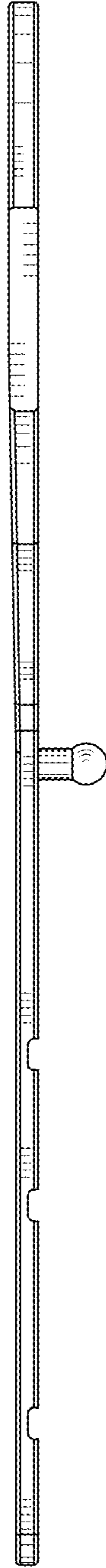


FIG. 3

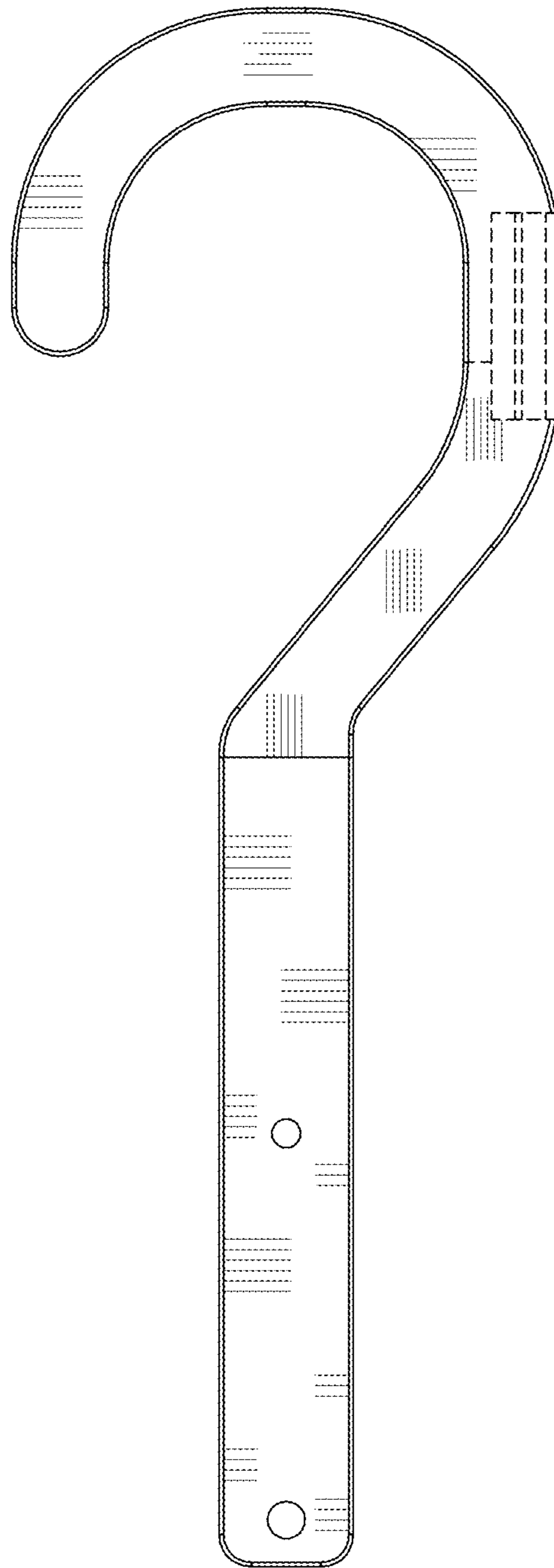


FIG. 4

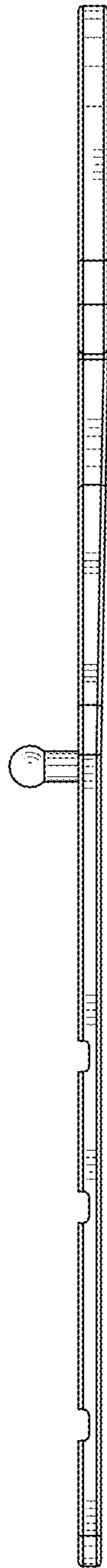


FIG. 5

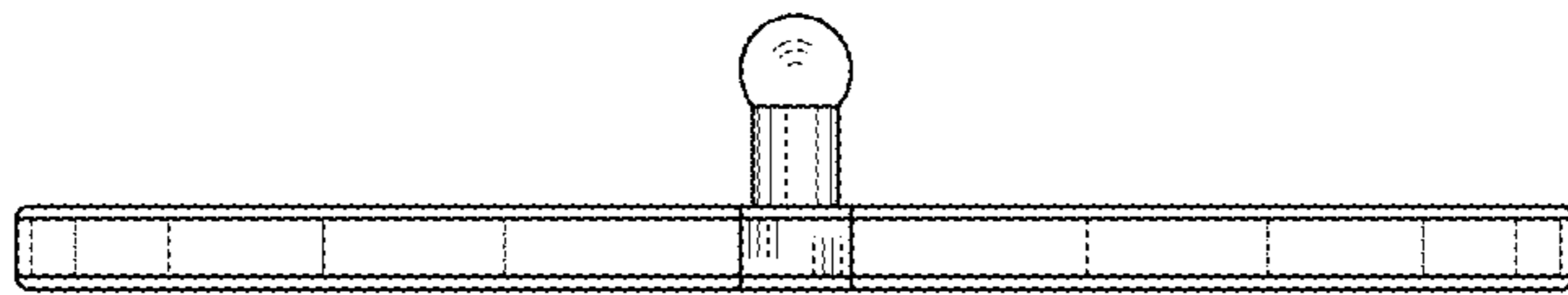


FIG. 6

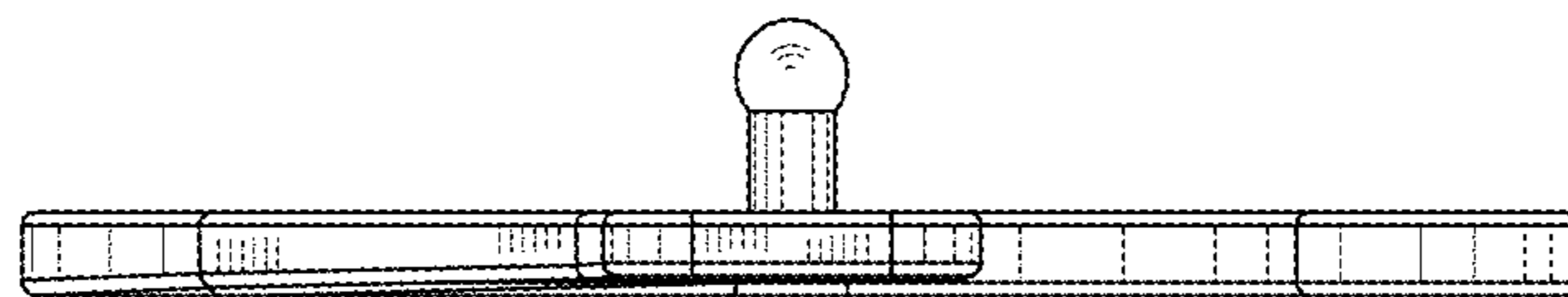


FIG. 7