



US00D811753S

(12) **United States Design Patent** (10) **Patent No.:** **US D811,753 S**
Conrad (45) **Date of Patent:** **** Mar. 6, 2018**

(54) **EASEL FORMED FROM A BLANK**

2,931,515 A 4/1960 Rubin
 2,992,500 A 7/1961 Hayhow
 D192,566 S * 4/1962 Perry D19/91
 (Continued)

(71) Applicant: **Pratt Corrugated Holdings, Inc.**,
Conyers, GA (US)

(72) Inventor: **Hannah Conrad**, Memphis, TN (US)

FOREIGN PATENT DOCUMENTS

(73) Assignee: **Pratt Corrugated Holdings, Inc.**,
Conyers, GA (US)

WO 2015058504 4/2015
 WO 2015071383 5/2015

(**) Term: **15 Years**

OTHER PUBLICATIONS

(21) Appl. No.: **29/574,628**

Conrad, Hannah; Final Office Action for U.S. Appl. No. 15/239,518,
filed Aug. 17, 2016, dated May 1, 2017, 16 pgs.

(22) Filed: **Aug. 17, 2016**

(Continued)

(51) **LOC (11) Cl.** **06-07**

Primary Examiner — Deanna L Pratt

(52) **U.S. Cl.**
USPC **D6/310**

(74) *Attorney, Agent, or Firm* — Taylor English Duma
LLP

(58) **Field of Classification Search**
USPC D6/300–314; D9/433
CPC ... A47B 23/042; A47B 23/043; A47B 23/044;
A47B 220/0019; A47G 1/141
See application file for complete search history.

(57) **CLAIM**

I claim the ornamental design for an easel formed from a
blank, as shown and described.

DESCRIPTION

(56) **References Cited**

U.S. PATENT DOCUMENTS

773,177 A	10/1904	Wilson	
809,785 A	1/1906	Dahlberg	
1,086,690 A	2/1914	Rosenberg	
1,132,629 A	3/1915	Springman	
1,134,802 A	4/1915	Agar	
1,391,479 A *	9/1921	Kazanjan	A47B 65/00 248/174
1,435,658 A	11/1922	Prehn	
1,476,216 A	12/1923	Palais	
1,976,421 A	10/1934	Traeger et al.	
2,101,327 A	12/1937	Ziemmerman	
2,322,259 A	6/1943	Thurston	
2,324,027 A	7/1943	Rosenberg et al.	
2,474,659 A	6/1949	Ebert	
2,630,641 A	3/1953	Hessdoerfer	
2,902,785 A	9/1959	Nichols	

FIG. 1 is a front perspective view of the claimed design after
its assembly.

FIG. 2 is a front elevation view thereof.

FIG. 3 is a rear elevation view thereof.

FIG. 4 is a left-side elevation view thereof.

FIG. 5 is a right-side elevation view thereof.

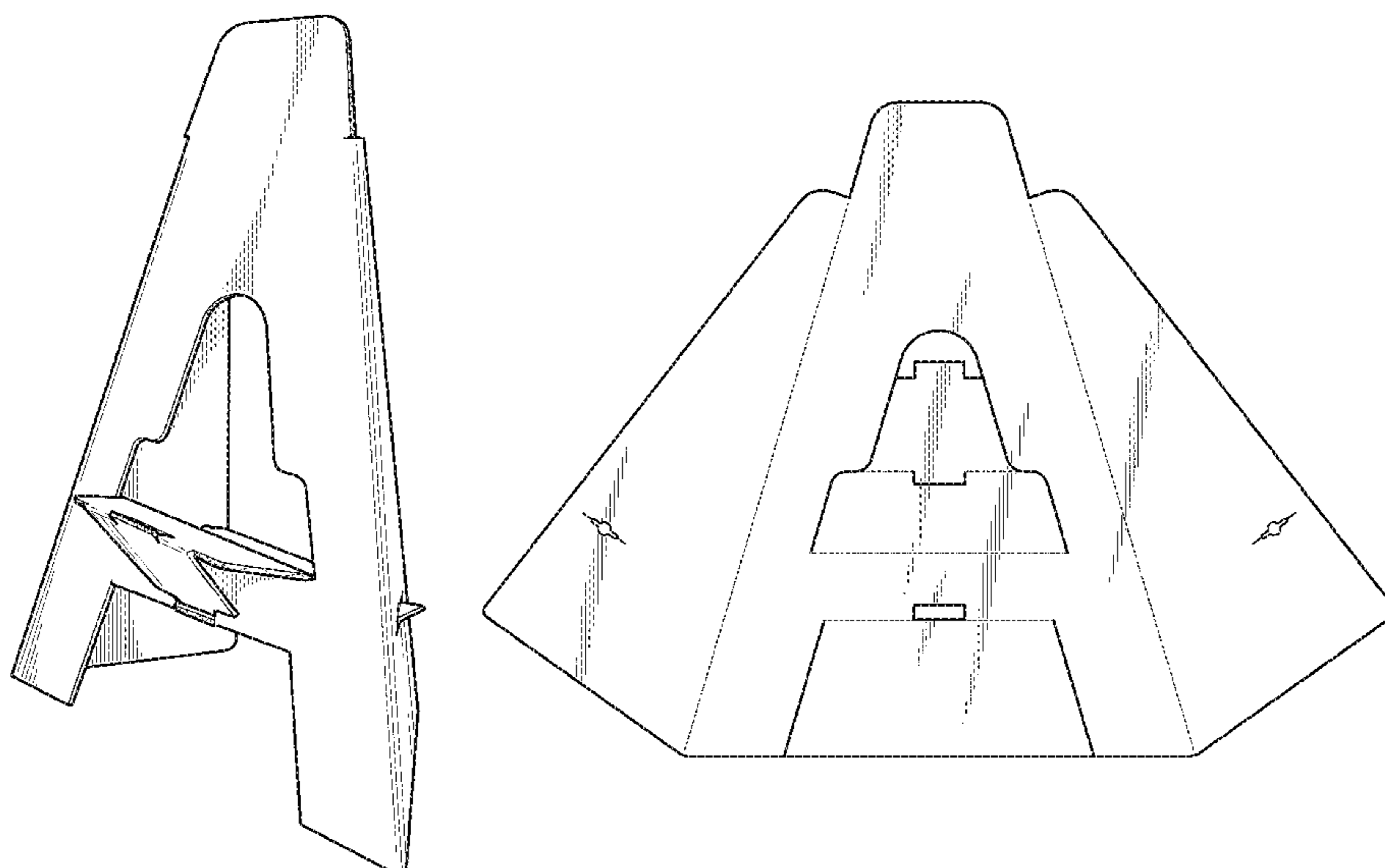
FIG. 6 is a top plan view thereof.

FIG. 7 is a bottom plan view thereof; and,

FIG. 8 is a plan view of a blank of the claimed design before
its assembly.

The invention pertains to an ornamental design for an easel
formed from a blank. The solid lines represent the bounds of
the claimed design, whereas those features shown in broken
lines (e.g., bend lines shown in FIG. 8 and a fluted corru-
gated sheet sandwiched between two face sheets in FIGS.
1-7) form no part of the claimed design.

1 Claim, 6 Drawing Sheets



(56)

References Cited

U.S. PATENT DOCUMENTS

3,275,281 A 9/1966 Sampson
 5,154,392 A 10/1992 Voight
 D334,479 S * 4/1993 Glick D6/310
 5,277,388 A 1/1994 Denaro
 5,301,800 A 4/1994 Kenney
 5,351,928 A 10/1994 Cooper et al.
 D366,568 S * 1/1996 Pagano D19/91
 5,653,333 A 8/1997 Webster
 D386,008 S * 11/1997 Wong D6/300
 5,850,910 A 12/1998 Broyles et al.
 6,382,581 B1 5/2002 Duff
 6,450,327 B1 9/2002 Kikuchi
 6,581,895 B1 6/2003 Pleasant
 7,000,882 B2 2/2006 Snuffer
 D518,240 S 3/2006 Bossomo et al.
 7,367,539 B2 5/2008 Moss et al.
 D602,227 S 10/2009 Zeilinger
 7,861,995 B2 1/2011 Liou
 7,967,154 B1 6/2011 Sharon
 D643,223 S 8/2011 Harding
 D643,635 S 8/2011 Harding
 8,136,678 B2 3/2012 Moss
 D674,016 S 1/2013 Letterle
 D677,935 S 3/2013 Pirayesh et al.
 D683,973 S * 6/2013 Pitts Brown D6/310
 8,540,091 B2 9/2013 Kristensen
 D696,031 S * 12/2013 Pitts Brown D6/310
 8,863,420 B2 10/2014 Edmondson et al.
 8,925,228 B2 1/2015 Edmondson et al.
 D725,946 S 4/2015 Pirayesh et al.
 9,174,483 B2 11/2015 Ridless et al.
 9,265,366 B2 2/2016 Zhou et al.
 9,358,830 B1 6/2016 McLaughlin
 D771,615 S * 11/2016 Pignotti D14/253
 D787,202 S * 5/2017 Martin D6/310
 2010/0032322 A1 2/2010 O'Neill

2013/0000169 A1 1/2013 Ramos-Gonzalez et al.
 2013/0270413 A1 10/2013 Wilber et al.
 2014/0314971 A1 10/2014 Domanski et al.
 2014/0318722 A1 10/2014 Ridless
 2014/0363592 A1 12/2014 Zhou et al.
 2016/0143461 A1 5/2016 Millman et al.

OTHER PUBLICATIONS

Conrad, Hannah; Non-final Office Action for U.S. Appl. No. 15/239,518, filed Aug. 17, 2016, dated Jun. 9, 2017, 21 pgs.
 Conrad, Hannah; Restriction Requirement for U.S. Appl. No. 15/239,360, filed Aug. 17, 2016, dated Jun. 9, 2017, 6 pgs.
 Conrad, Hannah; Applicant-Initiated Interview Summary for U.S. Appl. No. 15/239,518, filed Aug. 17, 2016, dated Jan. 18, 2017, 3 pgs.
 Conrad, Hannah; Non-Final Office Action for U.S. Appl. No. 15/239,518, filed Aug. 17, 2016, dated Feb. 21, 2016, 23 pgs.
 Sowder, Reed; U.S. Application entitled: Foldable Canvas Blank, having U.S. Appl. No. 15/239,514, filed Aug. 17, 2016, 43 pgs.
 Conrad, Hannah; U.S. Patent Application entitled: Foldable Easel Blank, having U.S. Appl. No. 15/239,518, filed Aug. 17, 2016, 33 pgs.
 Conrad, Hannah; U.S. Patent Application entitled: Foldable Palette Blank, having U.S. Appl. No. 15/239,360, filed Aug. 17, 2016, 23 pgs.
 Sowder, Reed; U.S. Design Application entitled: Canvas Formed From a Blank, having U.S. Appl. No. 29/574,646, filed Aug. 17, 2016, 7 pgs.
 Conrad, Hannah; U.S. Design Application entitled: Palette Formed From a Blank, having U.S. Appl. No. 29/754,647, filed Aug. 17, 2016, 7 pgs.
 Conrad, Hannah; Notice of Allowance for U.S. Appl. No. 15/239,518, filed Aug. 17, 2016, dated Oct. 24, 2017, 13 pgs.

* cited by examiner

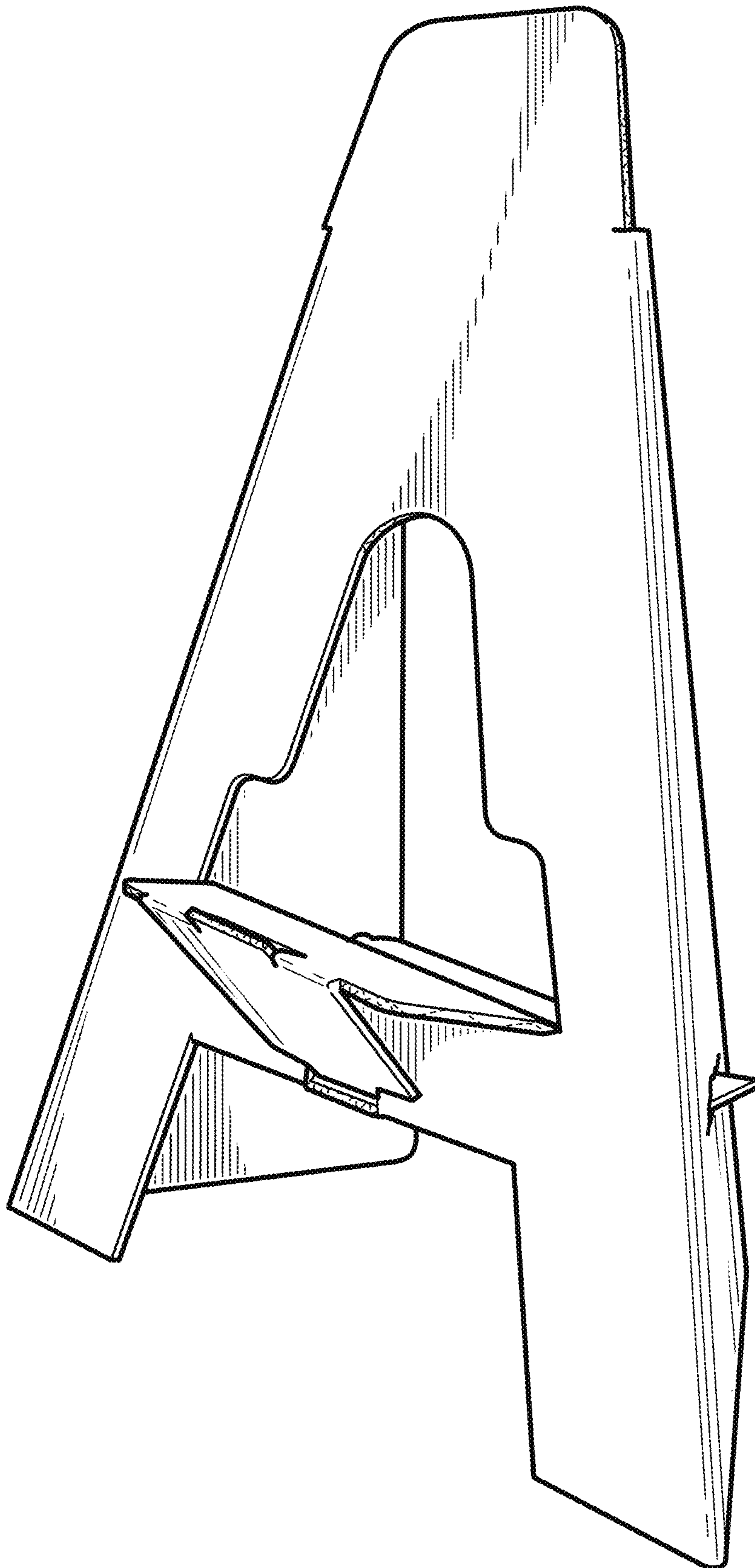


FIG. 1

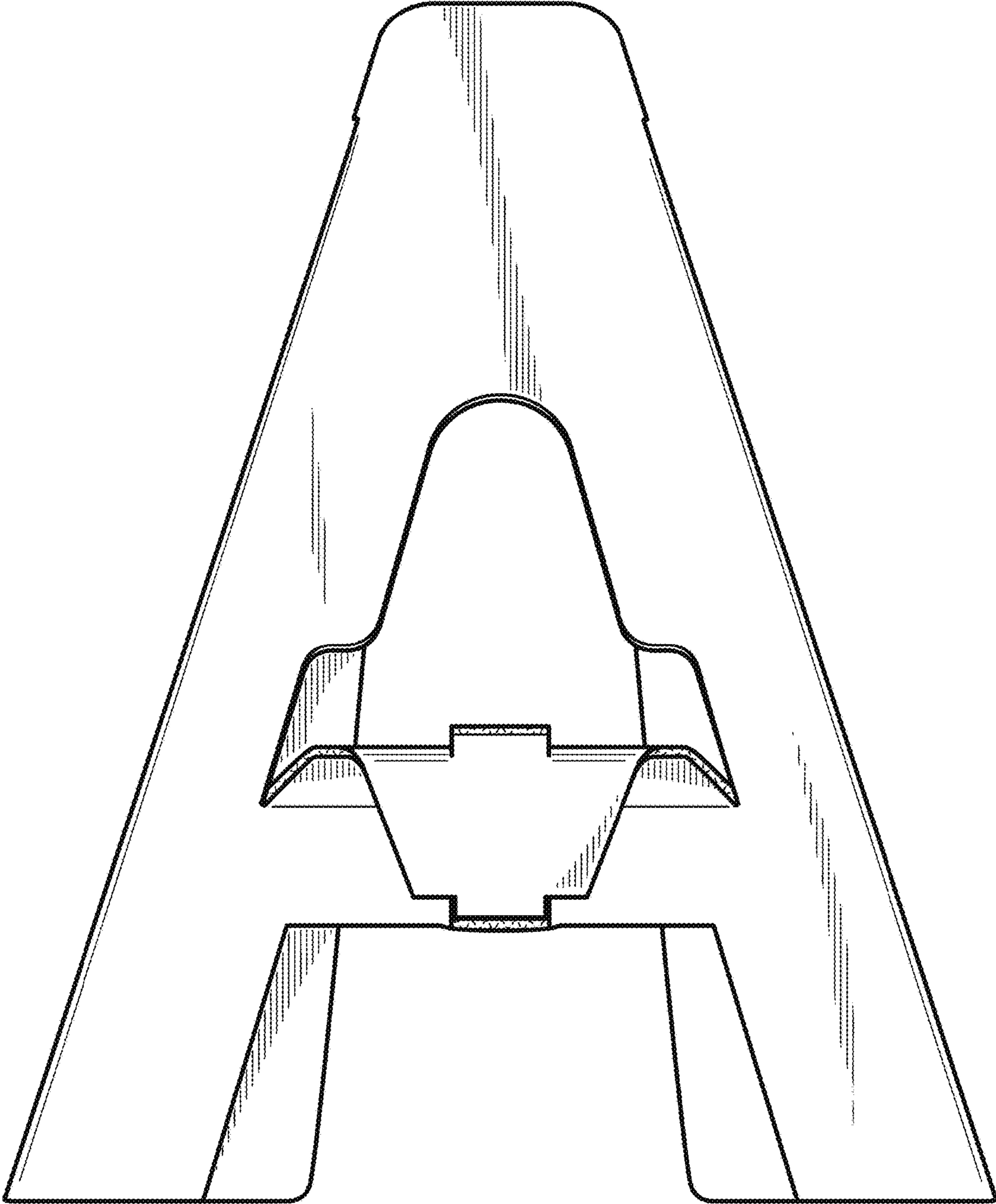


FIG. 2

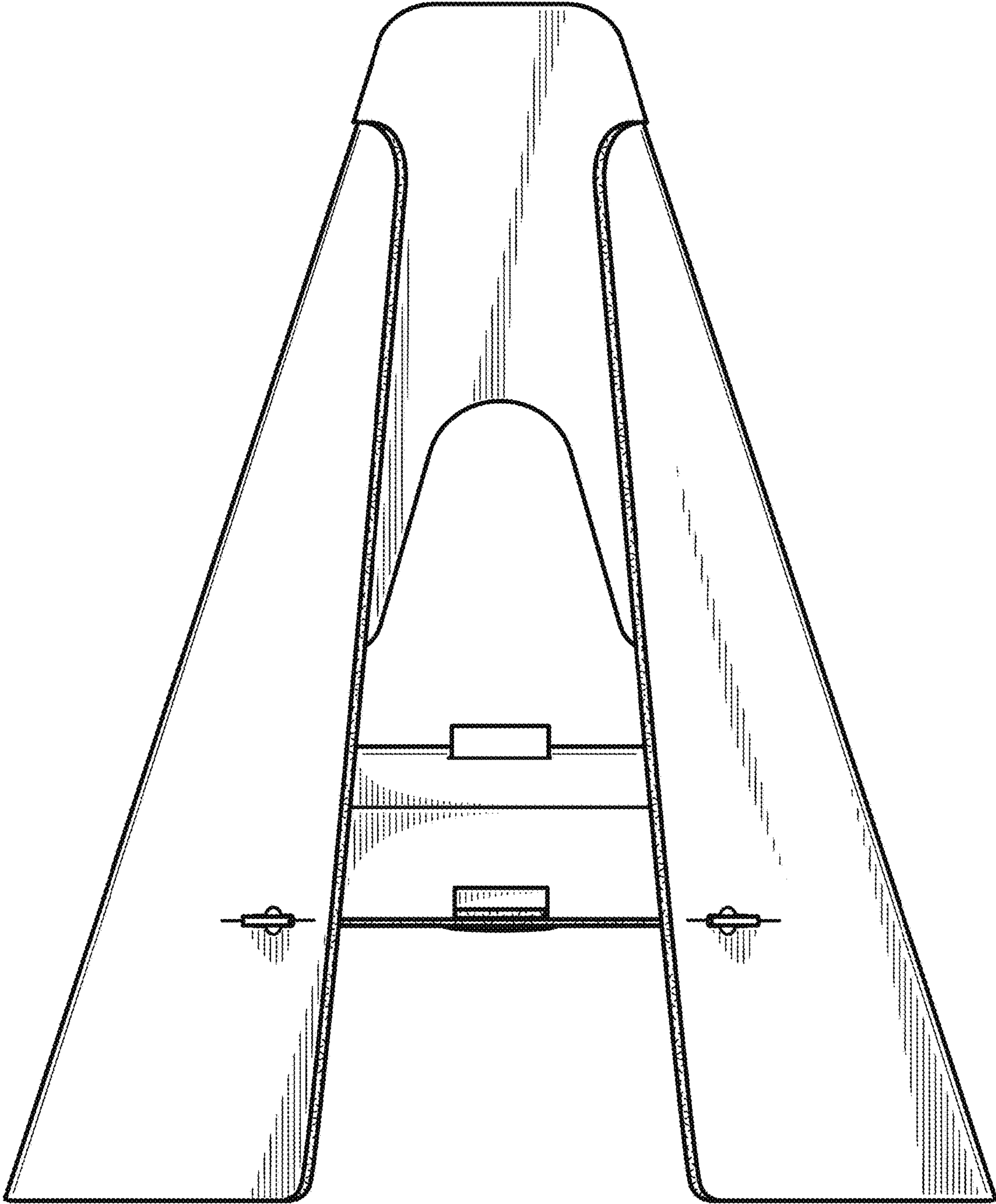


FIG. 3

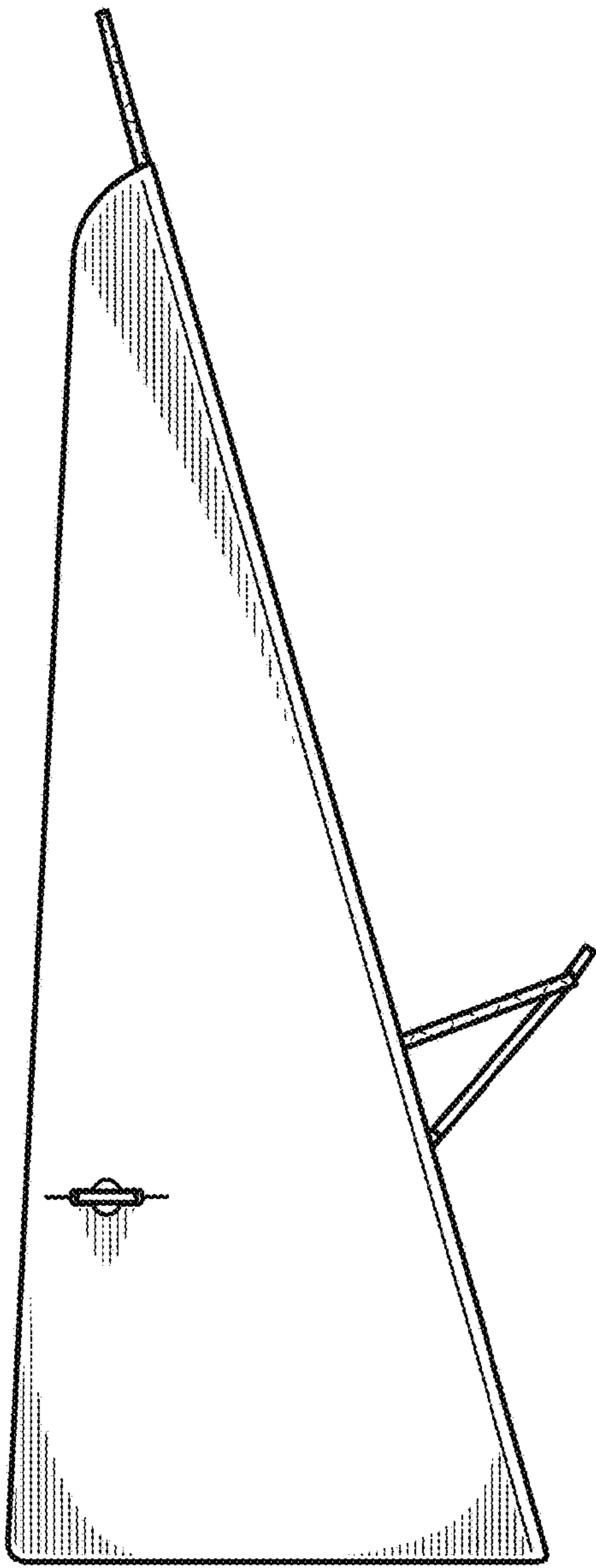


FIG. 4

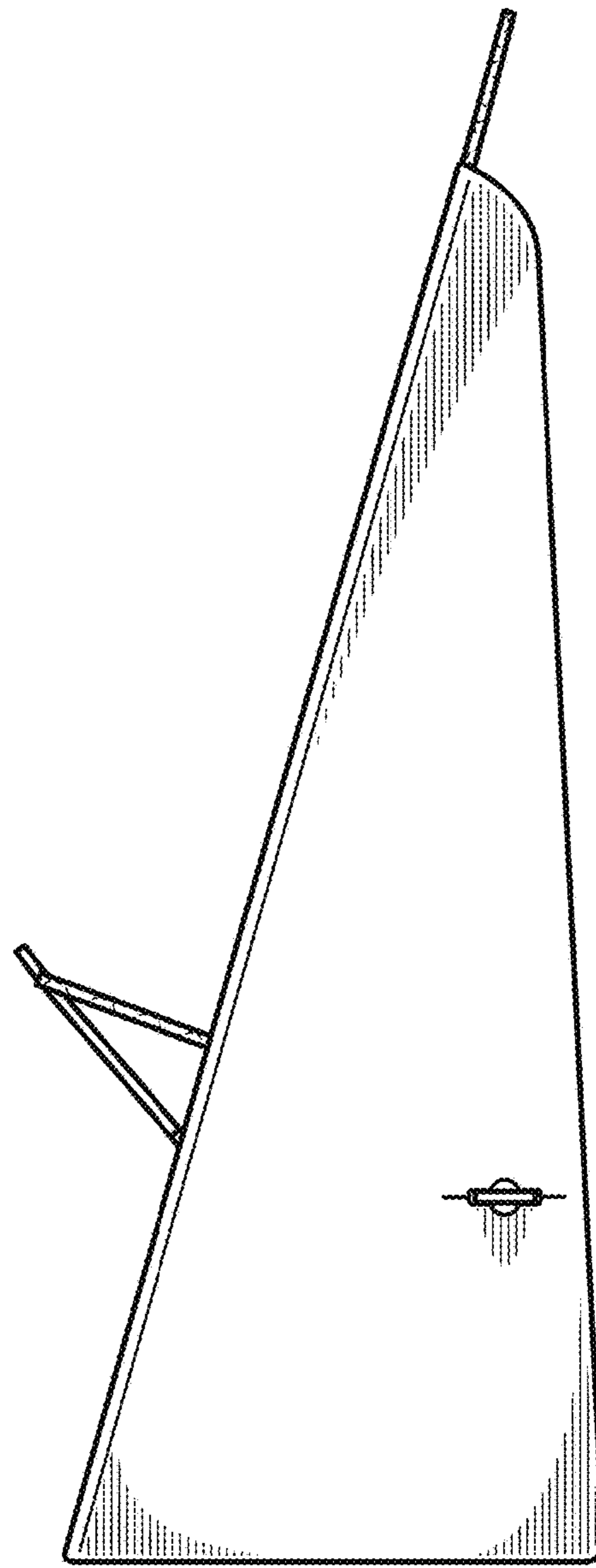


FIG. 5

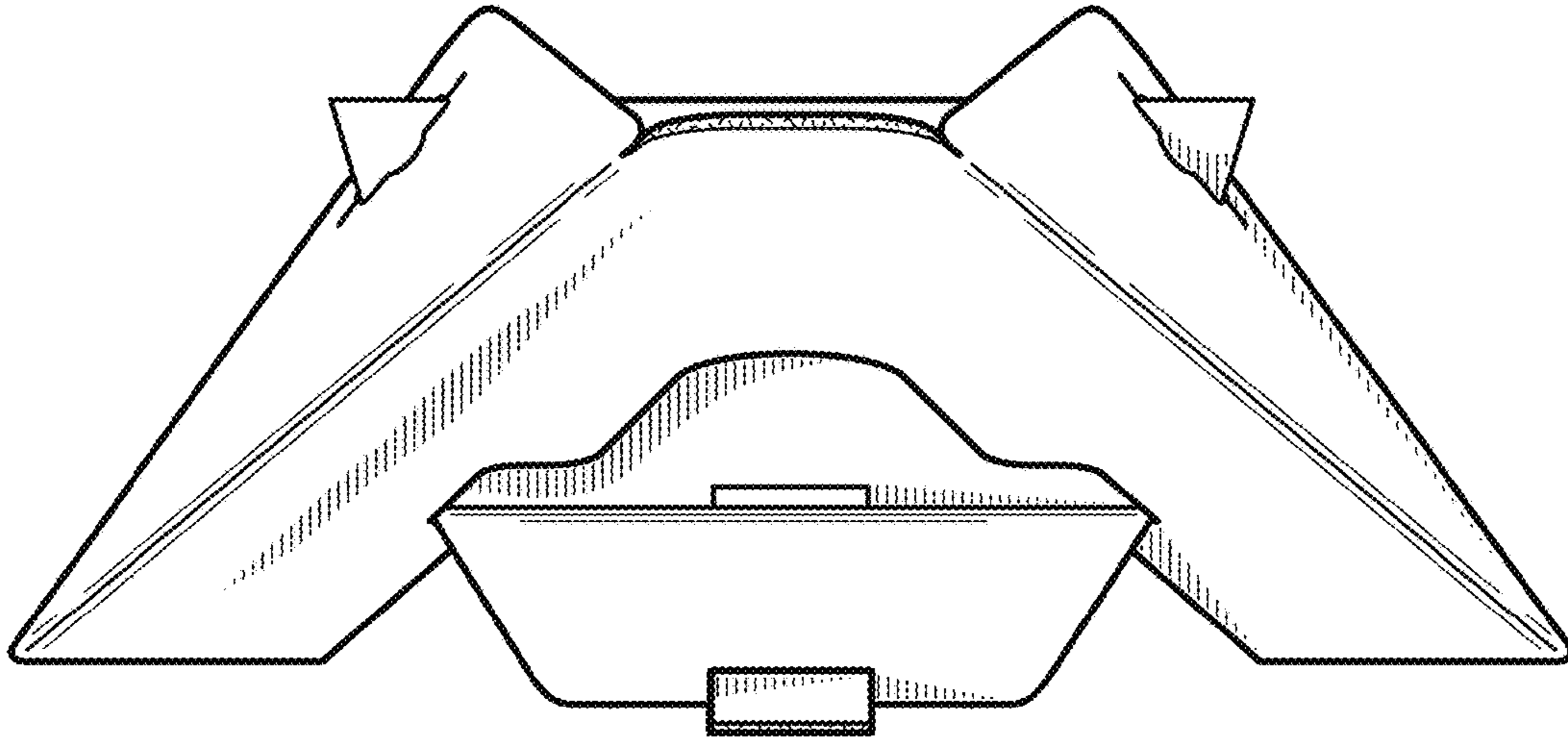


FIG. 6

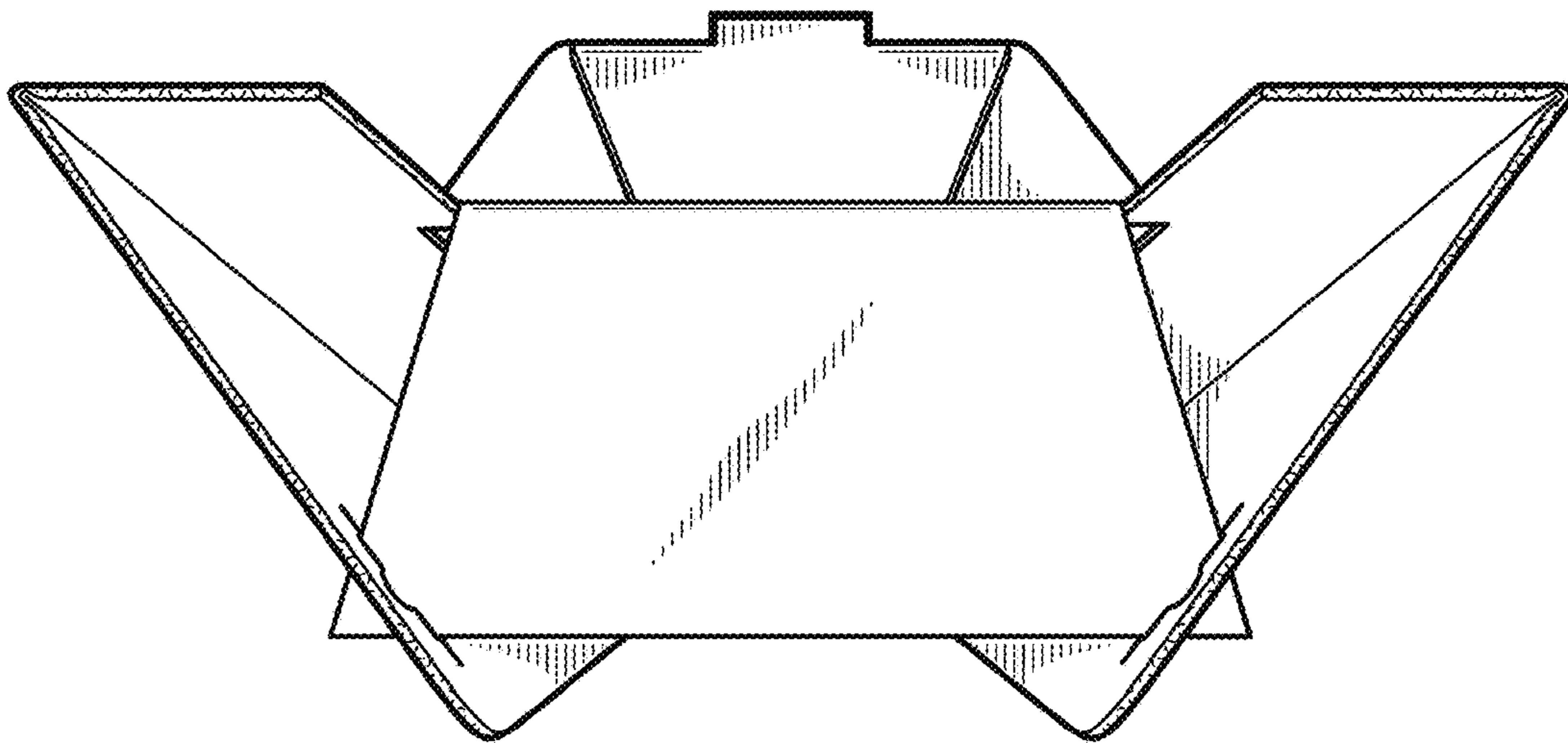


FIG. 7

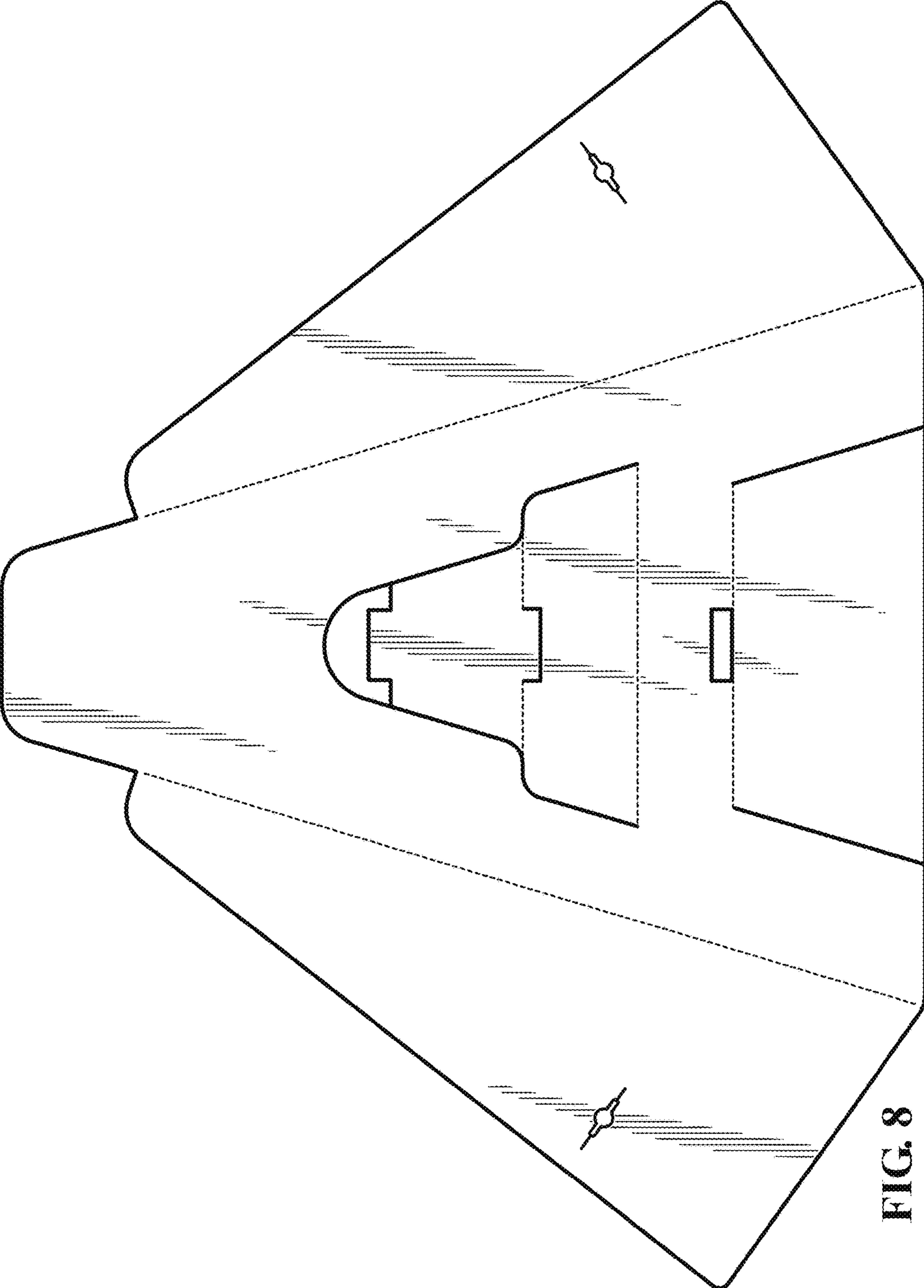


FIG. 8