



US00D811752S

(12) **United States Design Patent**
Ross, III et al.

(10) **Patent No.: US D811,752 S**
(45) **Date of Patent: ** Mar. 6, 2018**

(54) **PICTURE FRAME ANTENNA**
(71) Applicant: **Antennas Direct, Inc.**, Ellisville, MO
(US)

(72) Inventors: **John Edwin Ross, III**, Moab, UT
(US); **Joanne Nosiglia**, Eureka, MO
(US); **Christine Hand**, St. Louis, MO
(US)

(**) Term: **15 Years**

(21) Appl. No.: **29/587,310**

(22) Filed: **Dec. 12, 2016**

Related U.S. Application Data

(63) Continuation-in-part of application No. 14/878,504,
filed on Oct. 8, 2015, now Pat. No. 9,761,935, which
is a continuation-in-part of application No.
15/277,362, filed on Sep. 27, 2016.

(51) **LOC (11) Cl.** **06-07**

(52) **U.S. Cl.**
USPC **D6/300; D14/230**

(58) **Field of Classification Search**
USPC D6/300-314; D14/448, 450, 239, 230
CPC A47G 1/06; A47G 1/0605; A47G 1/0627;
A47G 1/0638; A47G 1/14; A47G 1/141;
A47G 1/142; A47G 1/10; A47G 1/0633
See application file for complete search history.

(56) **References Cited**

U.S. PATENT DOCUMENTS

2,551,664 A 5/1951 Galper
D168,325 S * 12/1952 Abrams D6/300
3,161,975 A * 12/1964 McMillan A47G 1/06
40/718
D205,771 S * 9/1966 Spiselman D6/311
D213,882 S * 4/1969 Sonnenblick D6/300

D244,771 S * 6/1977 Bott D12/193
D269,838 S * 7/1983 Altonaga D25/119
D282,355 S * 1/1986 Hartzell D11/132
(Continued)

OTHER PUBLICATIONS

Notice of Allowance dated Apr. 13, 2017 for U.S. Appl. No.
14/878,504, filed Oct. 8, 2015, (published as US20170062919 on
Mar. 2, 2017) which is the parent application to the instant appli-
cation, 10 pages.

(Continued)

Primary Examiner — Deanna L Pratt
(74) *Attorney, Agent, or Firm* — Harness, Dickey &
Pierce, P.L.C.

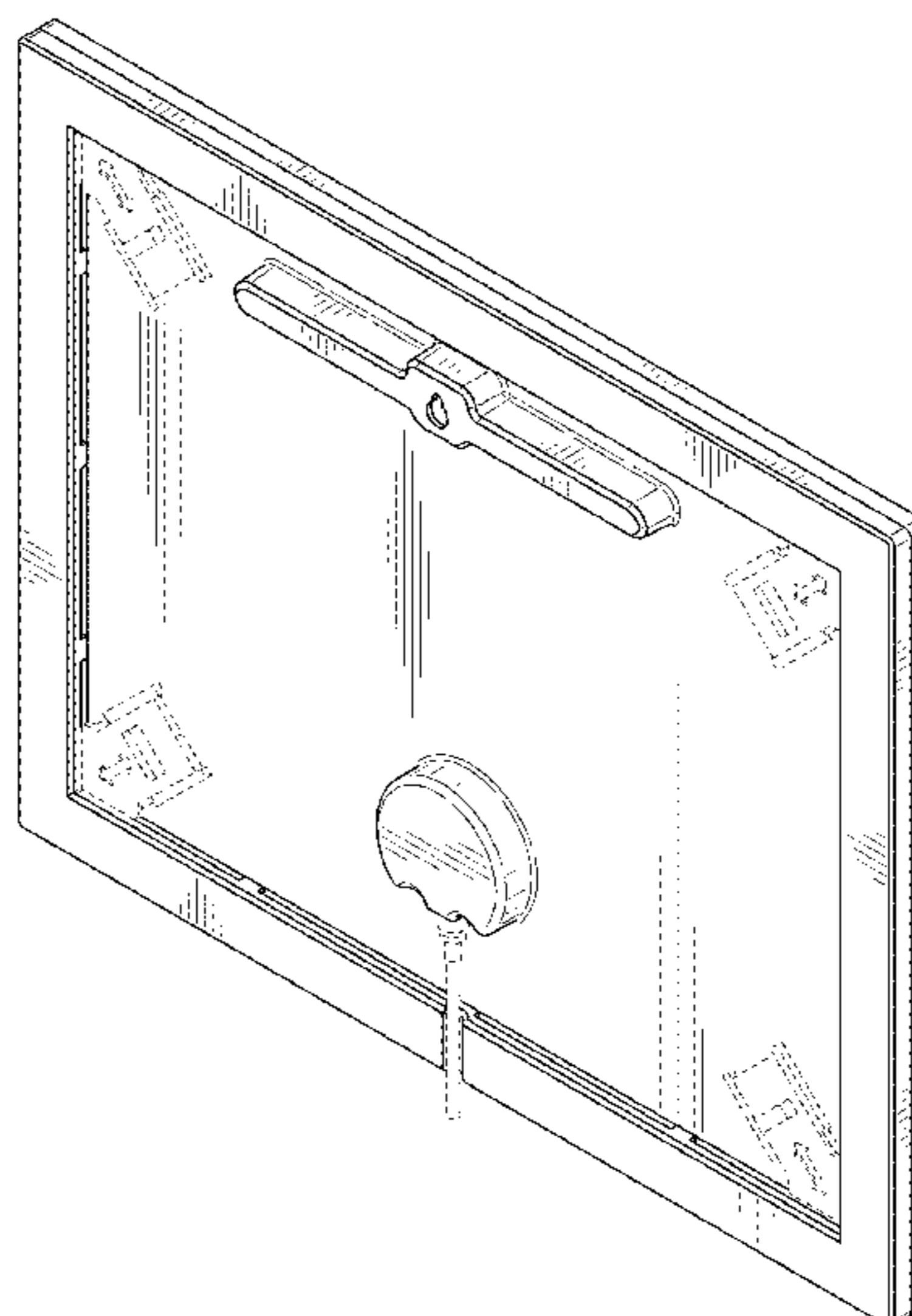
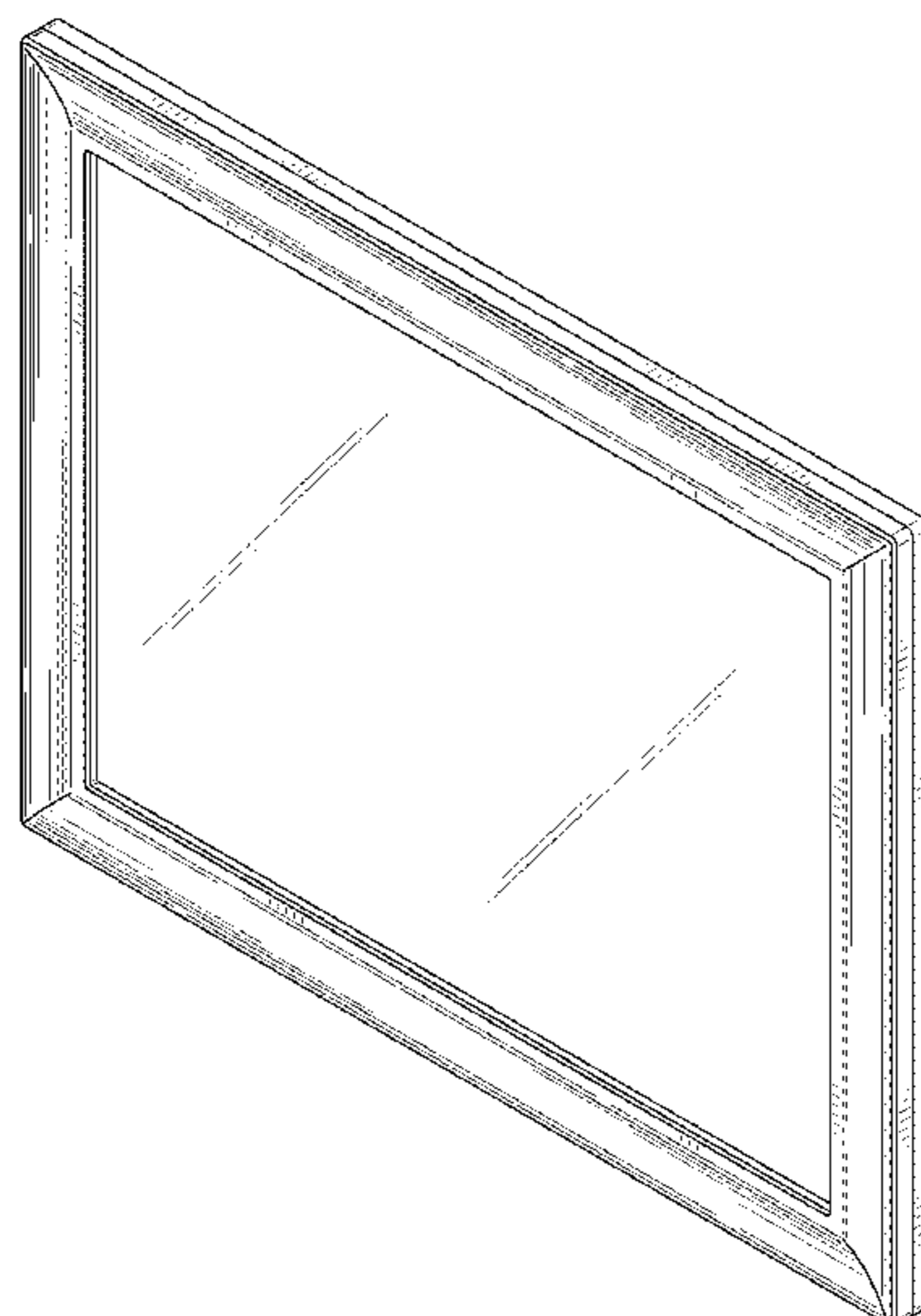
(57) **CLAIM**

The ornamental design for a picture frame antenna, as shown
and described.

DESCRIPTION

FIG. 1 is a perspective view of the picture frame antenna,
showing our new design;
FIG. 2 is a back perspective view thereof;
FIG. 3 is a front elevation view thereof;
FIG. 4 is a back elevation thereof;
FIG. 5 is a right elevation view thereof;
FIG. 6 is a left elevation view thereof.
FIG. 7 is a bottom plan view thereof;
FIG. 8 is a top plan view thereof; and,
FIG. 9 is an exploded perspective view thereof showing an
exemplary antenna element in broken lines that may be
coupled to an inner surface of the back plate and disposed
within an interior defined by the picture frame antenna.
In the drawings, the details shown in broken lines depict
environmental subject matter only and form no part of the
claimed design. Accordingly, the antenna element, coaxial
cable, and four sliding features adjacent the four corners of
the back plate for holding the back plate in place are shown
in broken lines as they form no part of the claimed design.

1 Claim, 6 Drawing Sheets



(56)

References Cited

U.S. PATENT DOCUMENTS

D312,923 S * 12/1990 Bleazard D6/300
 D324,780 S * 3/1992 Sebesta D6/300
 D358,037 S * 5/1995 Monroe D6/300
 D366,764 S * 2/1996 Hunt D6/300
 D396,350 S * 7/1998 Panzenhagen D6/300
 D405,473 S * 2/1999 Tikhonski D20/10
 D452,995 S * 1/2002 Barry D6/300
 D480,221 S * 10/2003 Luciano D6/300
 D481,544 S * 11/2003 Di Leggerini D6/300
 D504,687 S * 5/2005 Lee D14/374
 D509,072 S * 9/2005 Babich D6/300
 D510,101 S * 9/2005 Bushey D19/1
 D519,117 S * 4/2006 Lewis D14/374
 D524,555 S * 7/2006 Mohundro D6/300
 D527,193 S * 8/2006 Park D6/300
 D532,823 S * 11/2006 Pena Angarita D19/113
 D542,543 S * 5/2007 Bruce D6/300
 D548,981 S * 8/2007 Ernetoft D6/300
 D575,531 S * 8/2008 Paterson D6/300

D585,883 S * 2/2009 Kaneko D14/230
 D638,631 S * 5/2011 Parisi D6/300
 D654,274 S * 2/2012 Krawczyk D6/300
 D666,619 S * 9/2012 May D14/447
 D677,474 S * 3/2013 Harris D6/310
 D719,744 S * 12/2014 Plumbo D6/300
 D719,746 S * 12/2014 Dean, Jr. D6/300
 D735,480 S * 8/2015 Fallon D6/308
 D782,211 S * 3/2017 Randhawa D6/300
 2008/0291345 A1 11/2008 Schneider
 2012/0169553 A1 7/2012 Nomura et al.
 2012/0249396 A1 10/2012 Parsche
 2017/0062939 A1* 3/2017 Ross, III H01Q 9/285

OTHER PUBLICATIONS

U.S. Appl. No. 15/277,362, filed Sep. 27, 2016, John Edwin Ross III, et al.
 U.S. Appl. No. 14/878,504, filed Oct. 8, 2015, John Edwin Ross III, et al.

* cited by examiner

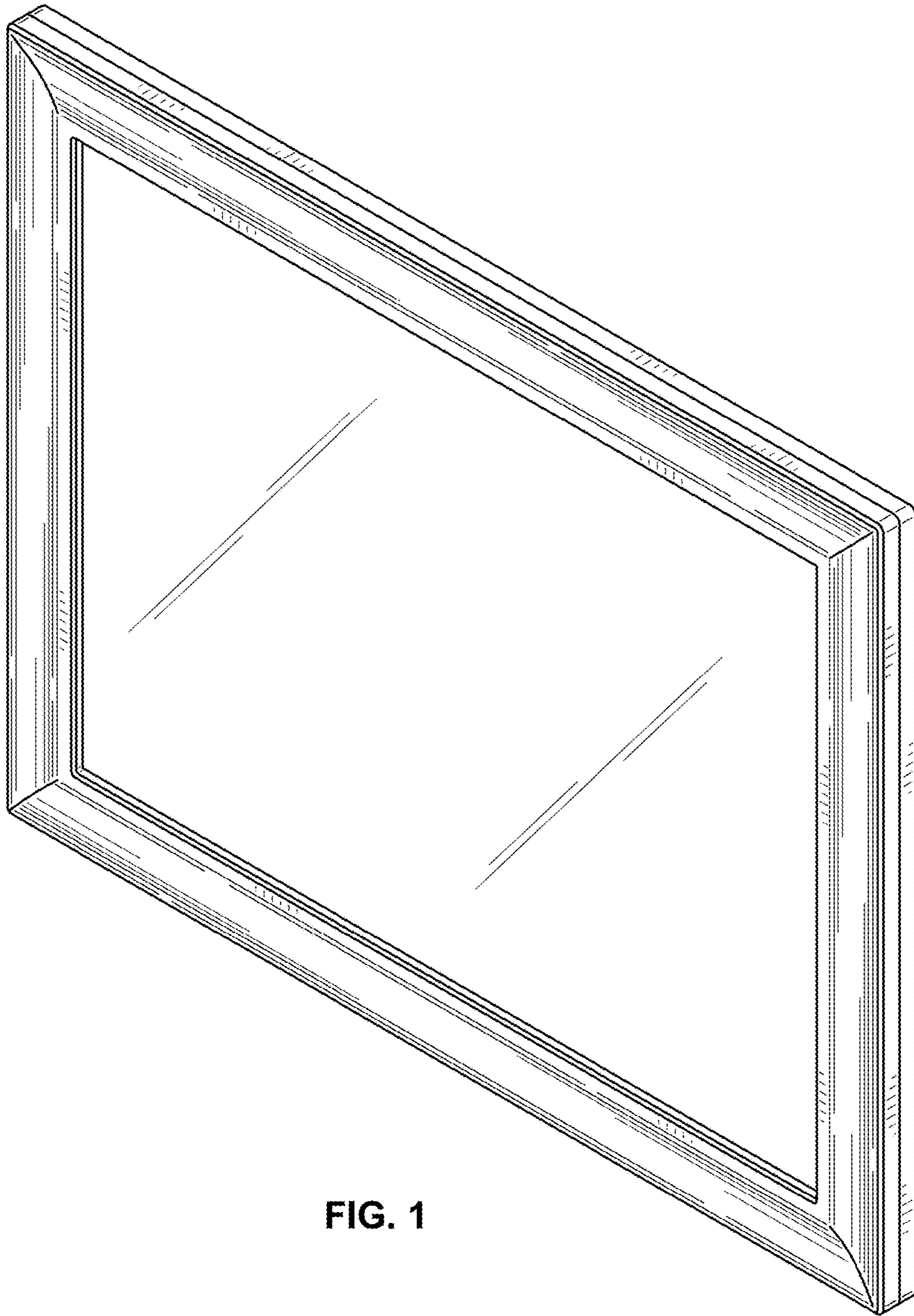


FIG. 1

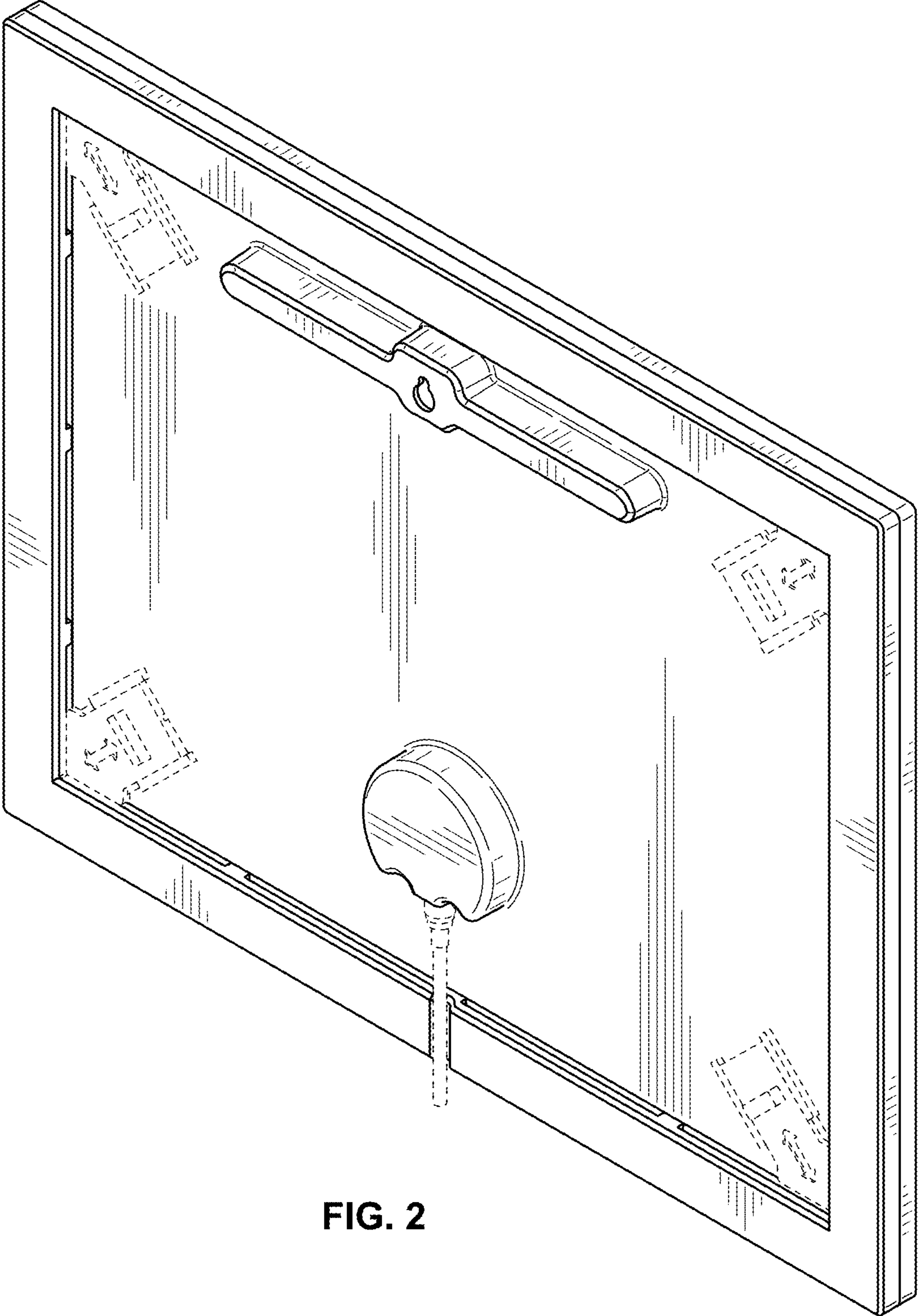


FIG. 2

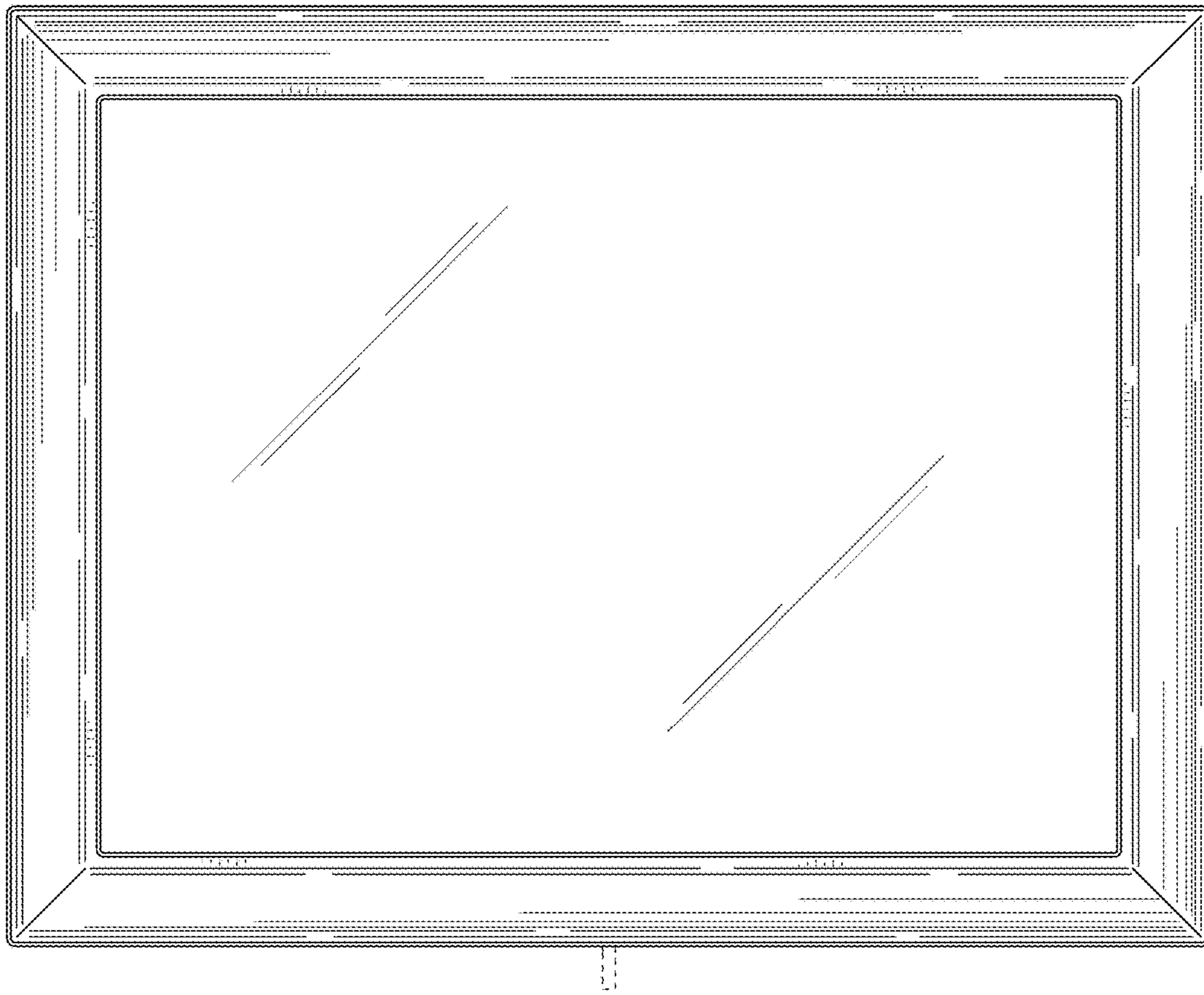


FIG. 3

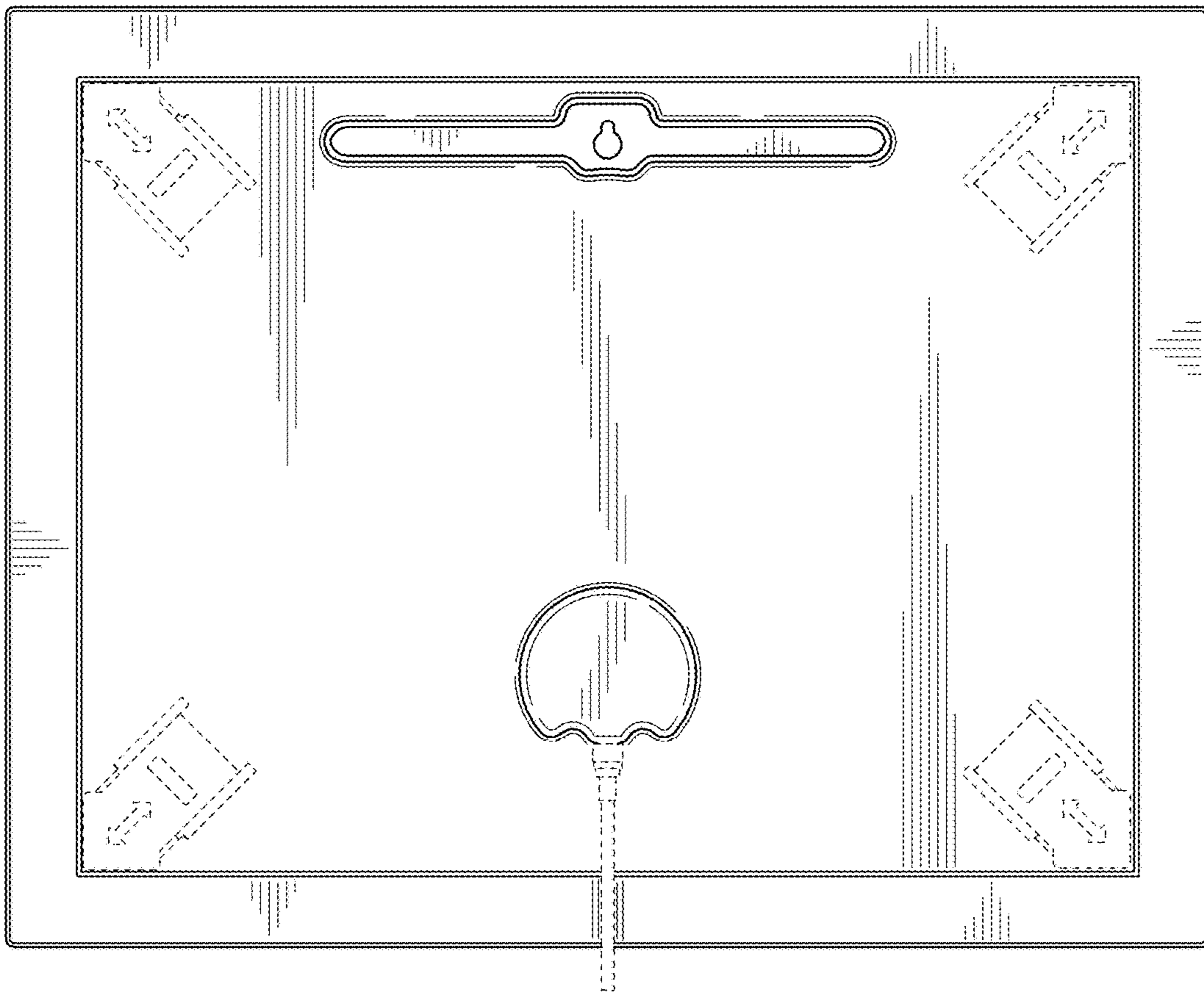


FIG. 4

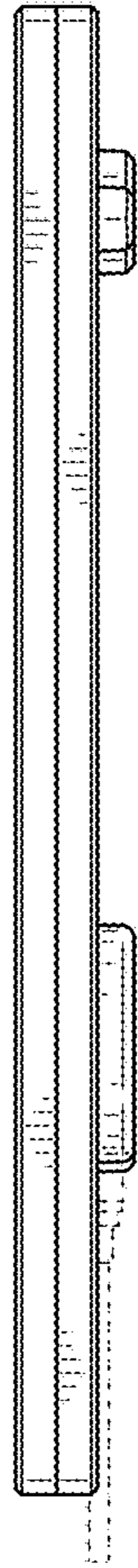


FIG. 5

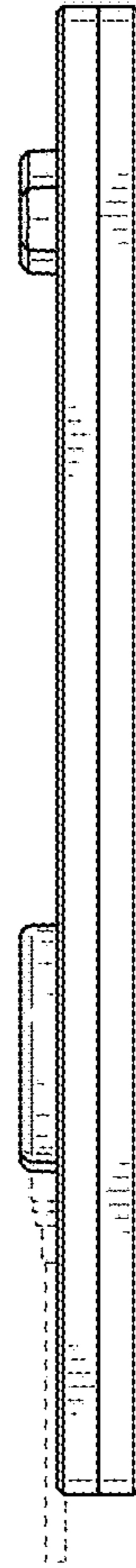


FIG. 6



FIG. 7

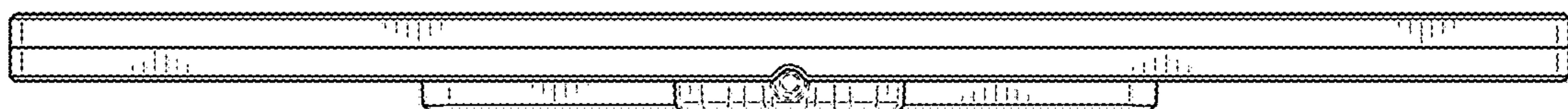


FIG. 8

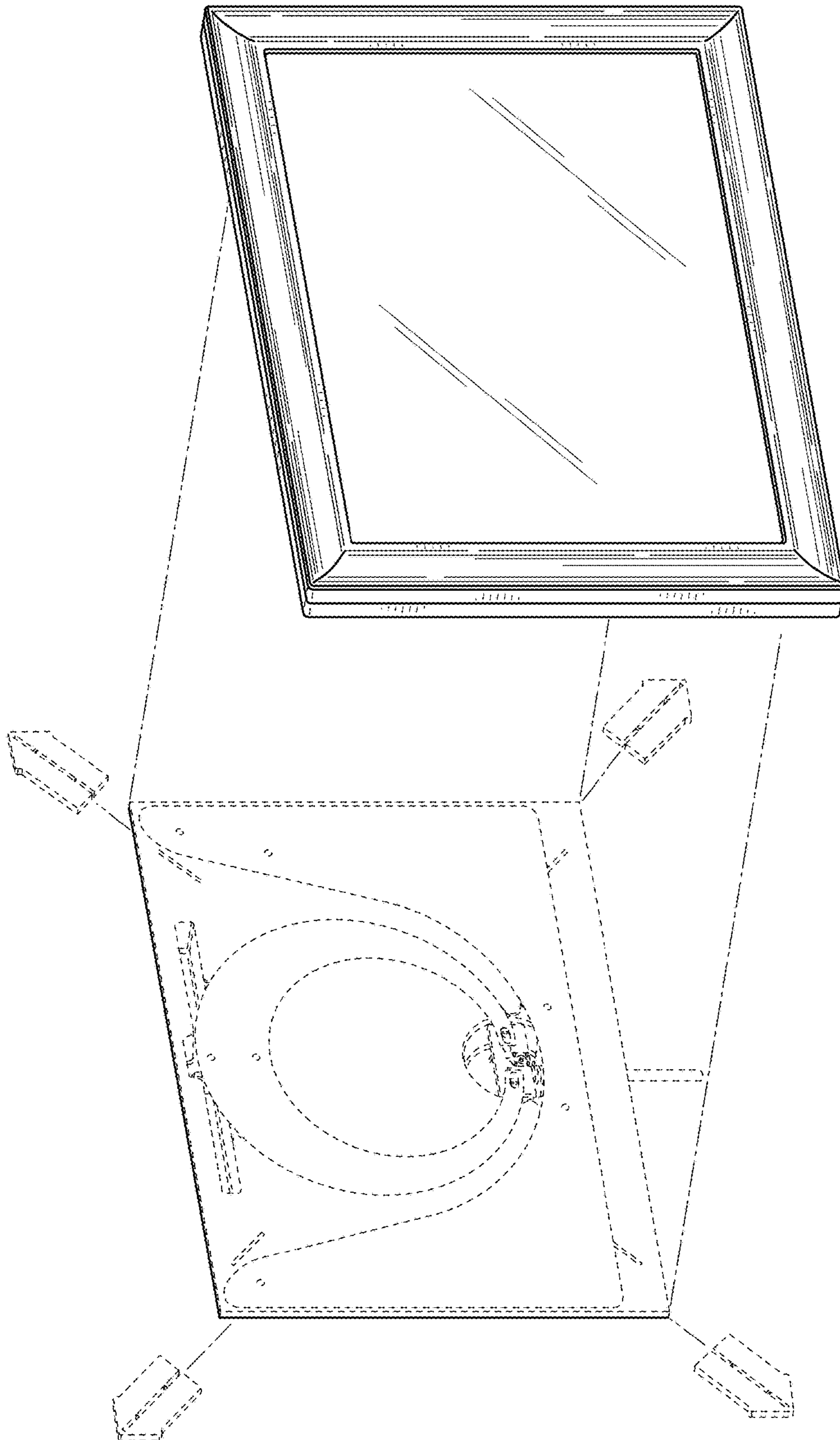


FIG. 9

UNITED STATES PATENT AND TRADEMARK OFFICE
CERTIFICATE OF CORRECTION

PATENT NO. : D811,752 S
APPLICATION NO. : 29/587310
DATED : March 6, 2018
INVENTOR(S) : John Edwin Ross, III et al.

Page 1 of 1

It is certified that error appears in the above-identified patent and that said Letters Patent is hereby corrected as shown below:

On the Title Page

Column 2, Item (57) Please correct the descriptions of Figures 7 and 8 as follows:

FIG. 7 is a **top** plan view thereof;

FIG. 8 is a **bottom** plan view thereof; and

Signed and Sealed this
Twenty-fifth Day of May, 2021



Drew Hirshfeld
*Performing the Functions and Duties of the
Under Secretary of Commerce for Intellectual Property and
Director of the United States Patent and Trademark Office*