



US00D811749S

(12) **United States Design Patent**  
**Cohen et al.**

(10) **Patent No.:** **US D811,749 S**

(45) **Date of Patent:** **\*\* Mar. 6, 2018**

- (54) **CIRCULAR BRUSH**
- (71) Applicant: **CHECK IMPORTS GROUP LLC**,  
Sunrise, FL (US)
- (72) Inventors: **Moshe Cohen**, Sunrise, FL (US); **Chen Xiachang**, Sunrise, FL (US)
- (\*\*) Term: **15 Years**
- (21) Appl. No.: **29/568,582**
- (22) Filed: **Jun. 20, 2016**
- (51) **LOC (11) Cl.** ..... **04-02**
- (52) **U.S. Cl.**  
USPC ..... **D4/128**
- (58) **Field of Classification Search**  
USPC ..... D4/128, 129, 131, 136, 138, 108, 109,  
D4/119; D32/35, 51; 15/104.5, 104.16,  
15/104.2, 104.31, 104.32, 164, 165, 206;  
D28/65; D7/682; 452/298, 458  
CPC ..... A46B 7/026; A46B 5/005; A46B 17/04;  
A46B 2200/1046  
See application file for complete search history.

(56) **References Cited**

**U.S. PATENT DOCUMENTS**

- 2,480,739 A \* 8/1949 Johnson ..... A46B 7/04  
15/180
- D157,248 S \* 2/1950 Fay ..... D4/135
- 3,084,367 A \* 4/1963 Geil ..... A46B 13/003  
15/181
- 3,233,272 A \* 2/1966 Pambello ..... A46B 1/00  
15/180
- 3,526,919 A \* 9/1970 Byers ..... A46B 13/008  
15/180
- D325,472 S \* 4/1992 Premack ..... D4/128
- 5,438,728 A \* 8/1995 Kubes ..... A46B 9/02  
15/180

- D369,447 S \* 4/1996 Mann ..... D32/19
- 5,964,006 A \* 10/1999 Holmes ..... A46B 9/02  
15/180
- D456,145 S \* 4/2002 Wong ..... D4/128
- D480,878 S \* 10/2003 Mastroianni ..... D4/127
- D573,347 S \* 7/2008 Dondi ..... D4/128
- 7,988,539 B2 \* 8/2011 Palushaj ..... A46B 13/008  
451/350
- 8,105,134 B2 \* 1/2012 Palushaj ..... A46B 13/008  
451/353
- 8,261,452 B2 \* 9/2012 Westerhof ..... B26B 19/14  
30/43.4
- D764,727 S \* 8/2016 Coughlan ..... D32/25
- D765,928 S \* 9/2016 Goff ..... D32/25
- D778,066 S \* 2/2017 Kern ..... D4/127
- D784,026 S \* 4/2017 Shen ..... D4/128
- 2002/0045416 A1 \* 4/2002 Shia ..... A46B 13/001  
451/490

\* cited by examiner

*Primary Examiner* — Austin Murphy  
(74) *Attorney, Agent, or Firm* — The Rapacke Law Group, PA

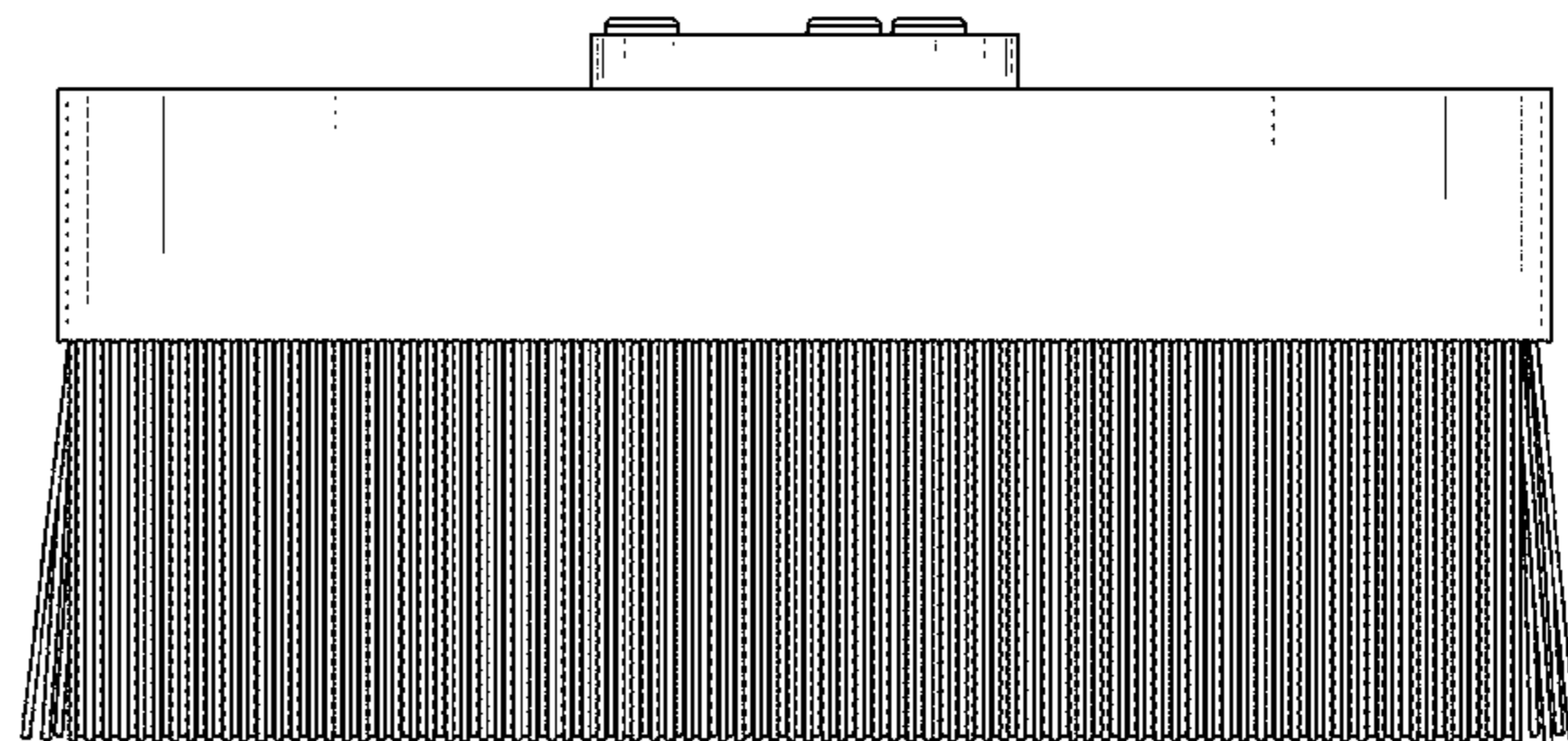
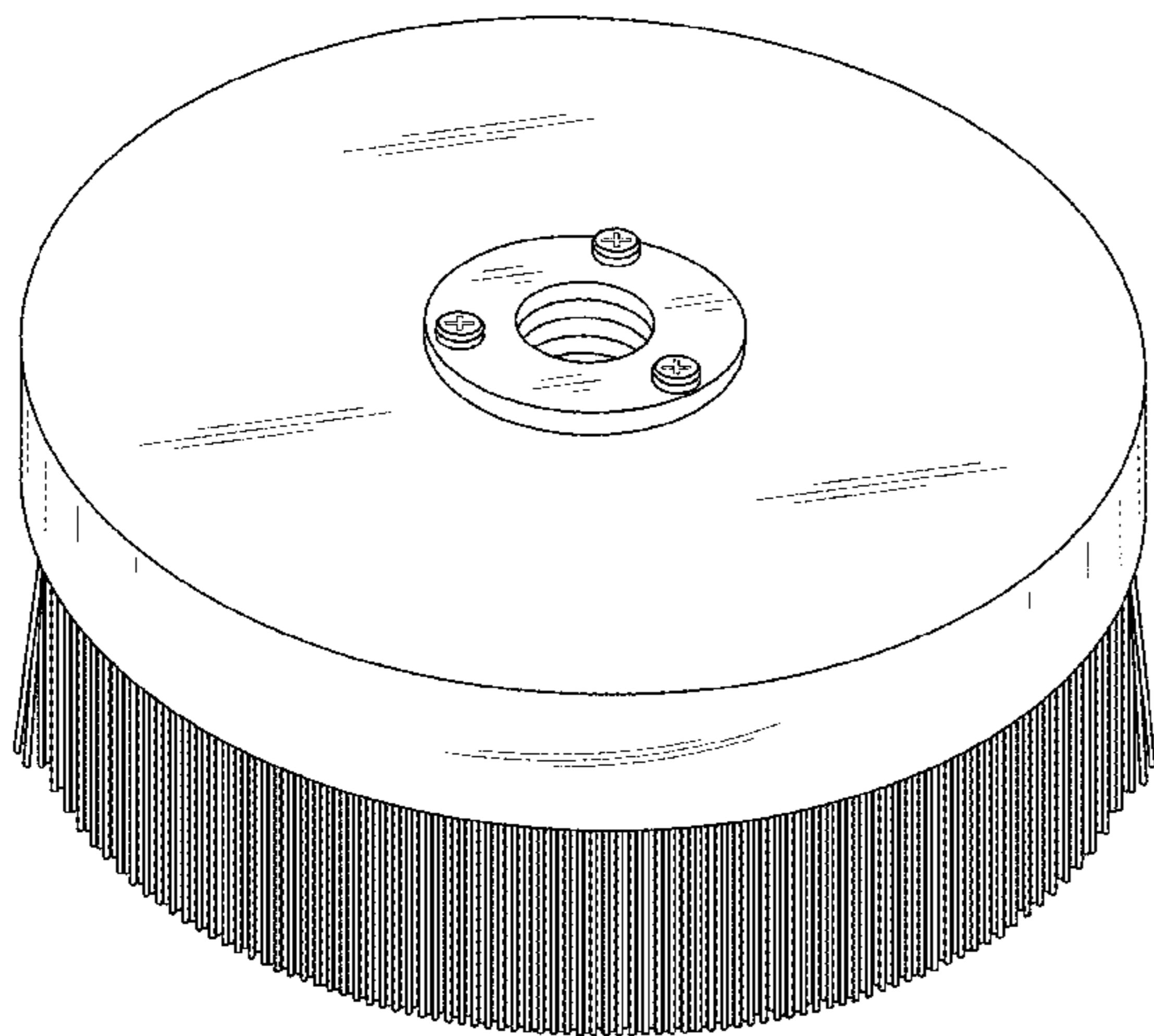
(57) **CLAIM**

The ornamental design for a circular brush, as shown and described.

**DESCRIPTION**

FIG. 1 is a perspective view of the circular brush;  
FIG. 2 is a front view thereof;  
FIG. 3 is a rear view thereof;  
FIG. 4 is a left side view thereof;  
FIG. 5 is a right side view thereof;  
FIG. 6 is top view thereof; and,  
FIG. 7 is a bottom view thereof.  
The broken lines form no part of the claimed design.

**1 Claim, 7 Drawing Sheets**



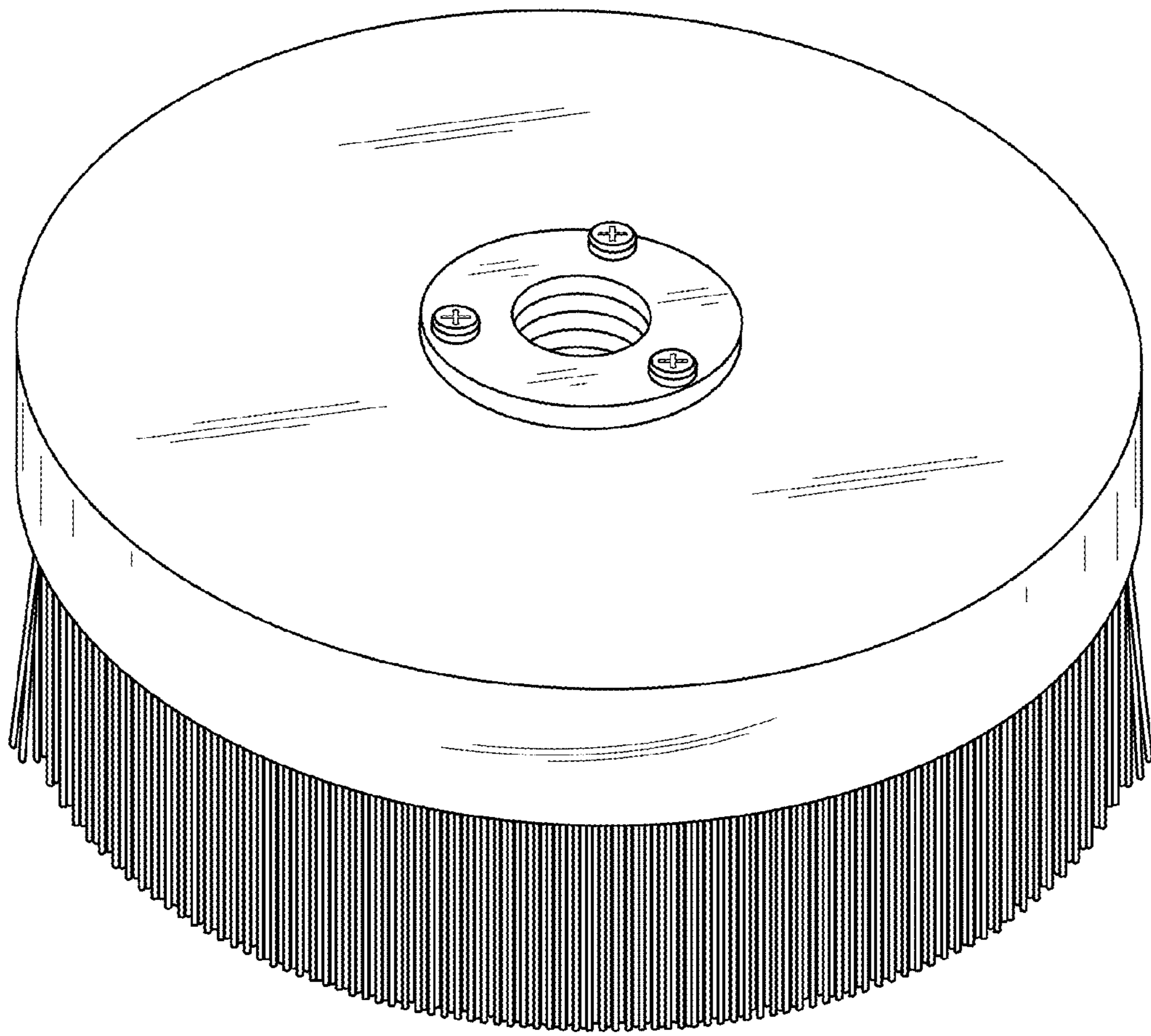


FIG. 1

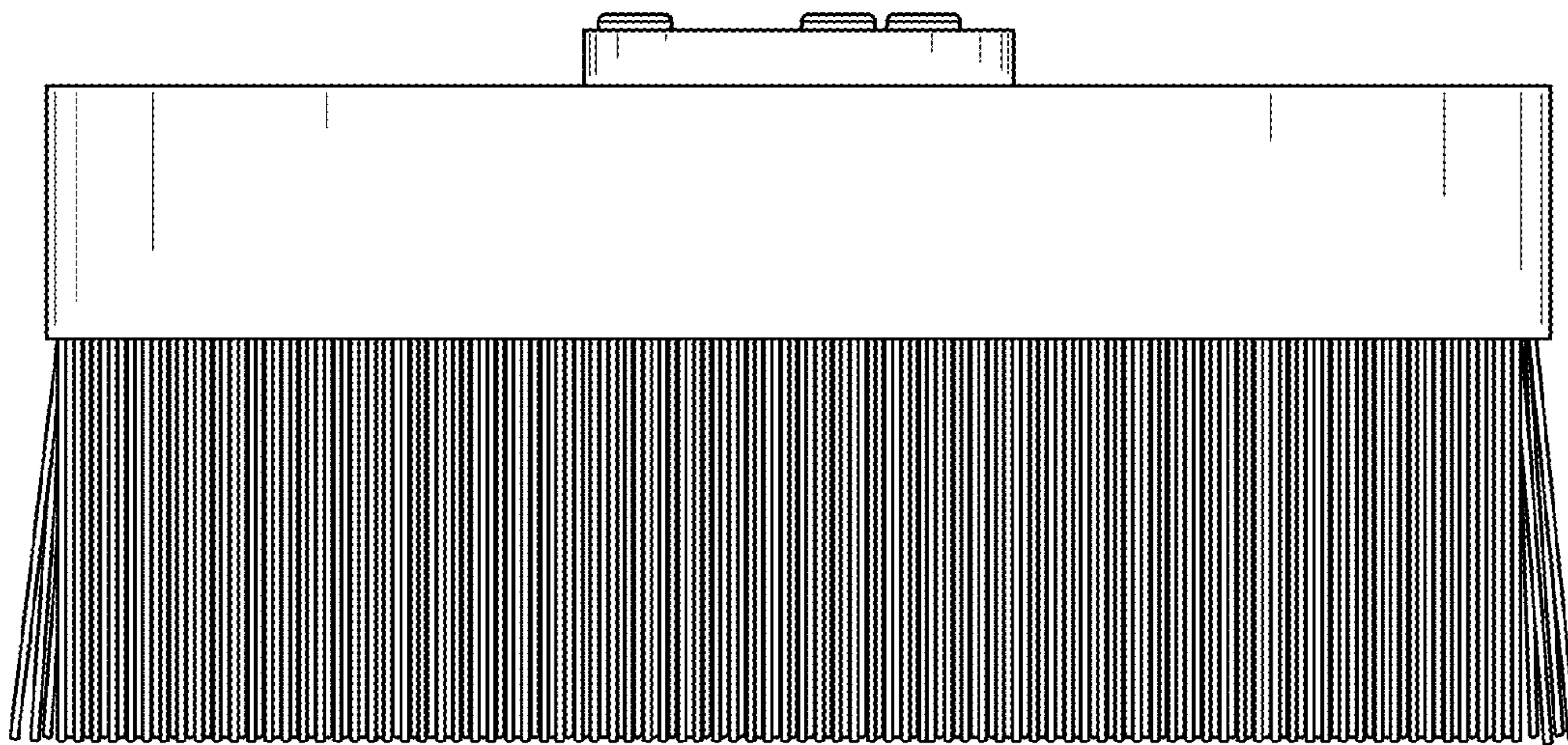


FIG. 2

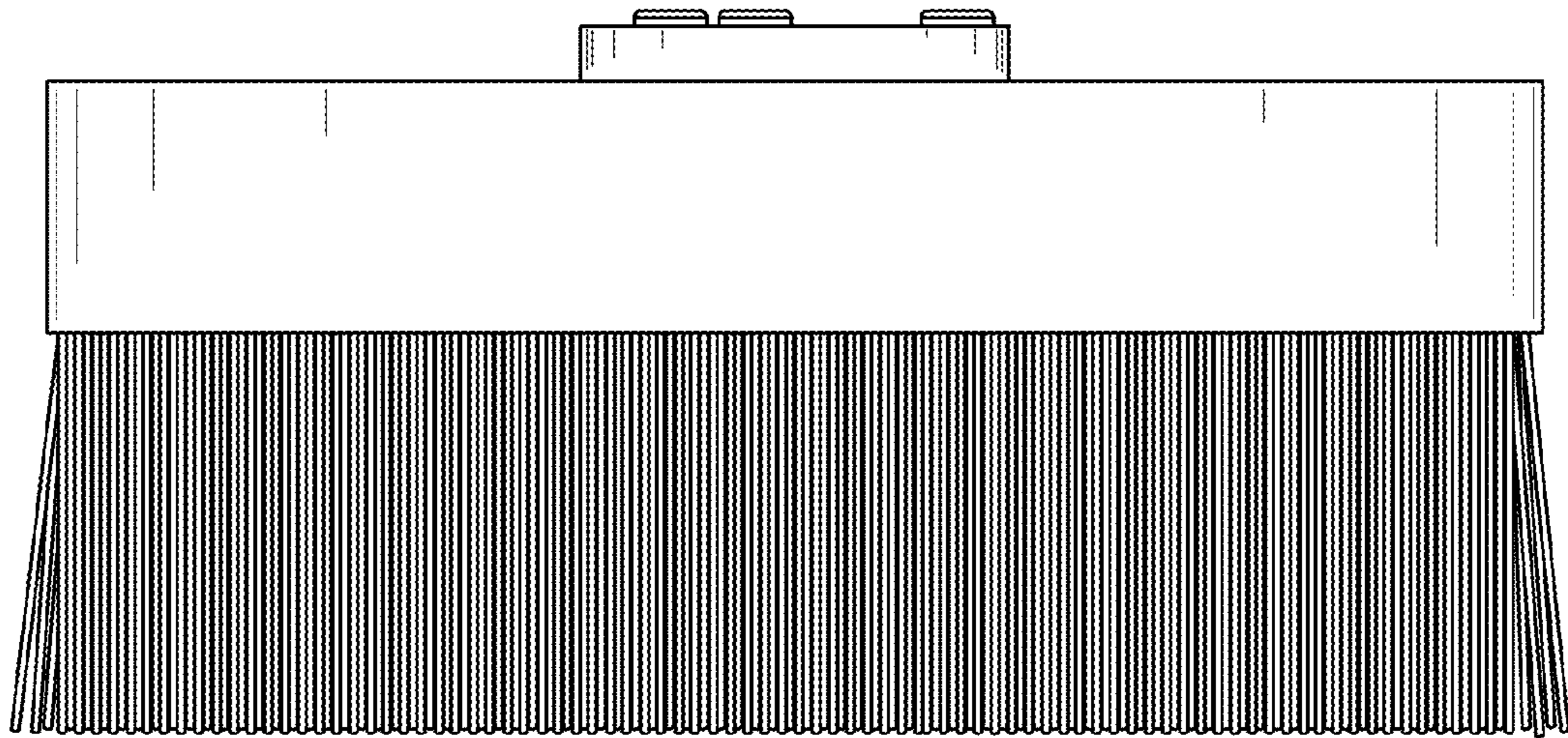


FIG. 3

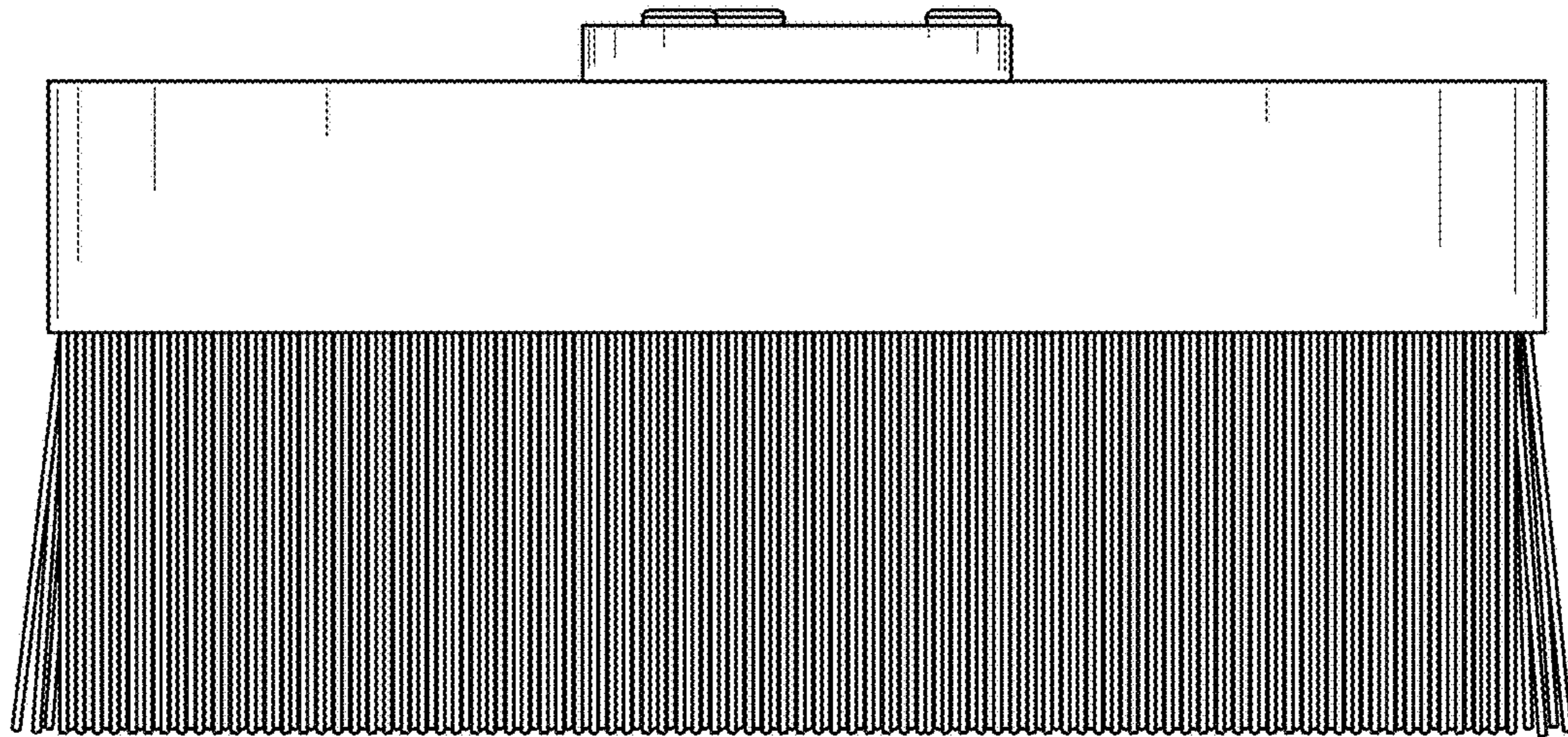


FIG. 4

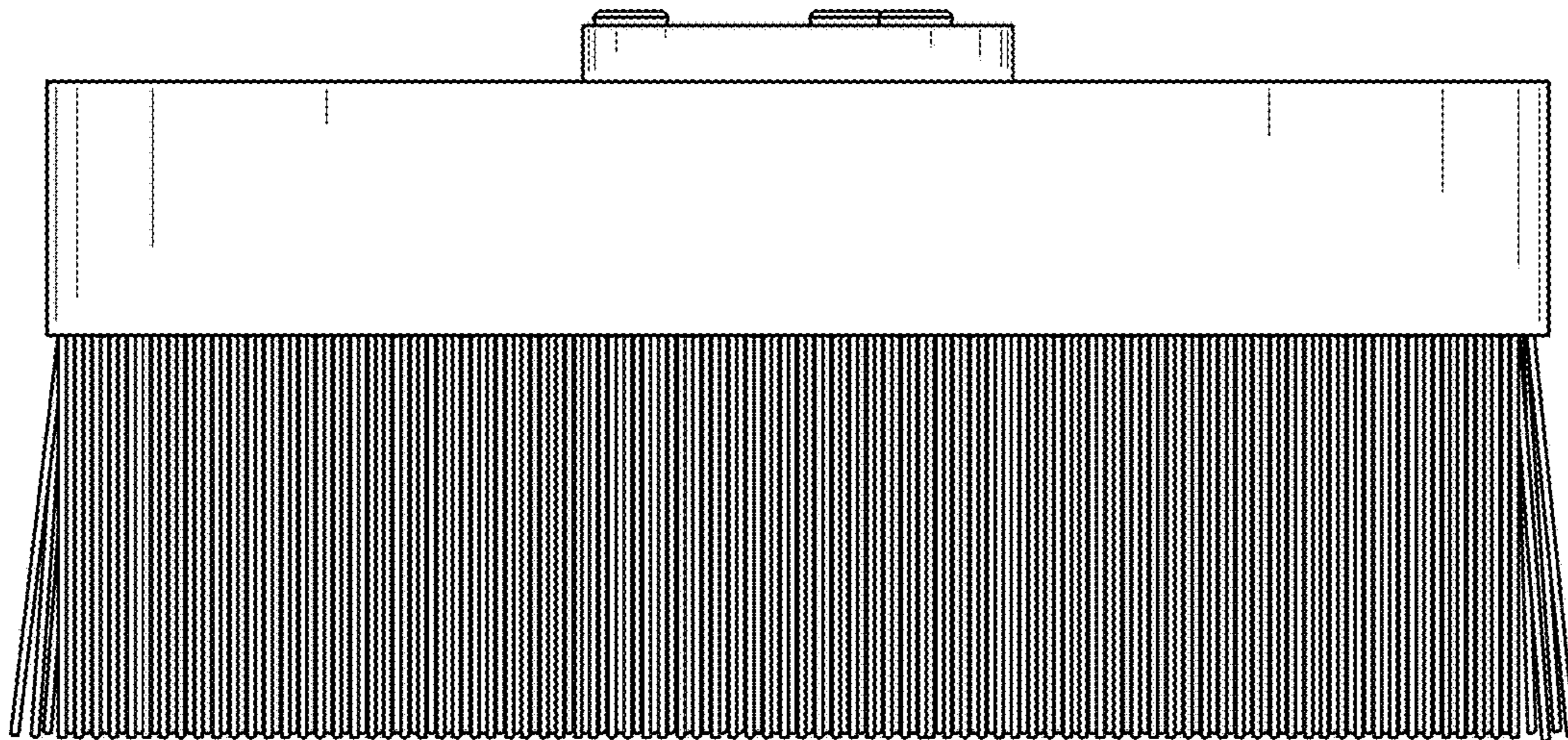


FIG. 5

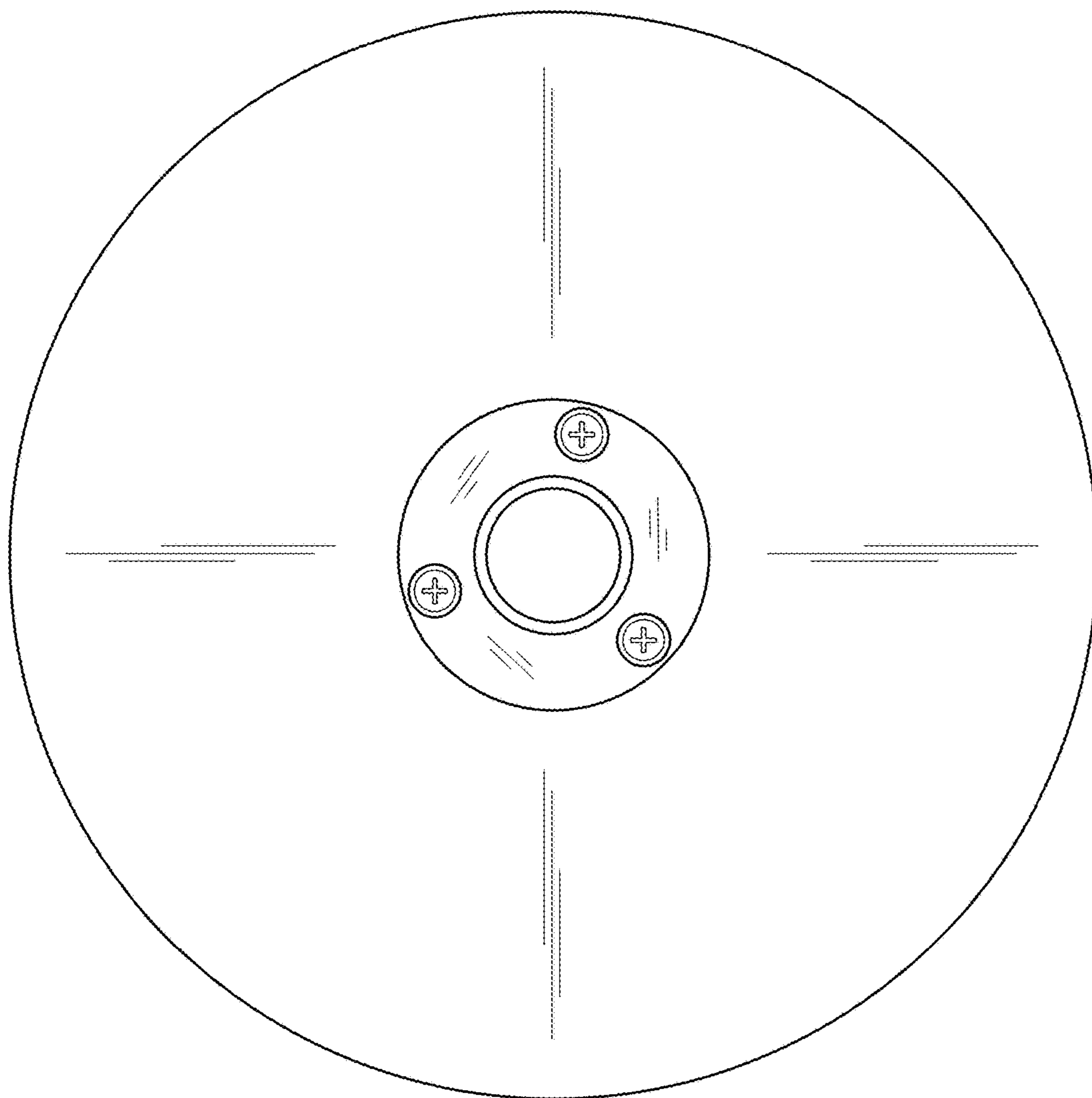


FIG. 6

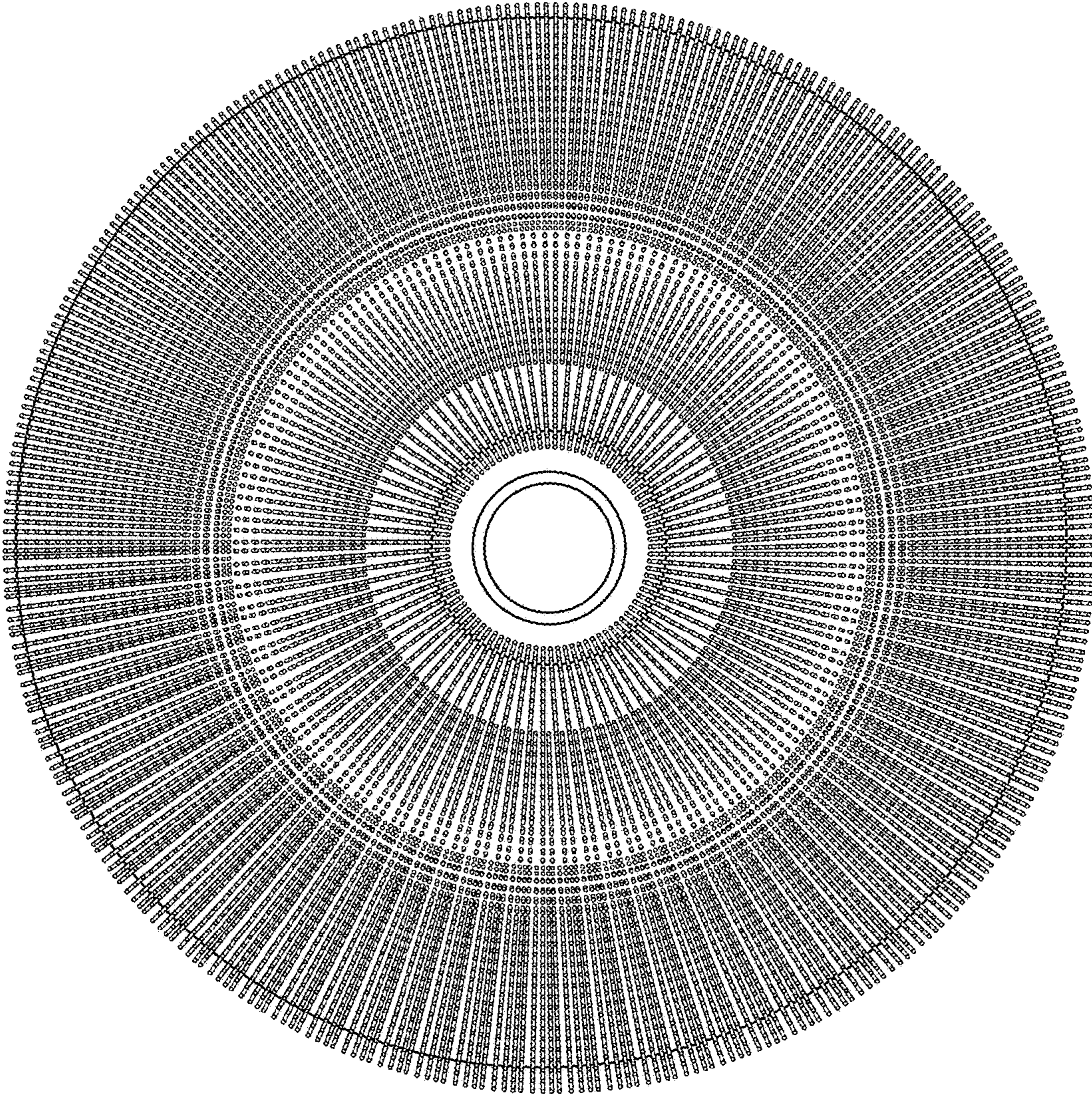


FIG. 7