



US00D811746S

(12) **United States Design Patent**
Seiders et al.

(10) **Patent No.:** **US D811,746 S**
(45) **Date of Patent:** **** Mar. 6, 2018**

(54) **INSULATING DEVICE**

B65D 29/00; B65D 29/02; B65D
81/3888; B65D 81/38; F25D 3/08

(71) Applicant: **YETI Coolers, LLC**, Austin, TX (US)

See application file for complete search history.

(72) Inventors: **Roy Joseph Seiders**, Austin, TX (US);
Christopher M. Keller, Austin, TX
(US)

(56)

References Cited

U.S. PATENT DOCUMENTS

(73) Assignee: **YETI Coolers, LLC**, Austin, TX (US)

(**) Term: **15 Years**

(21) Appl. No.: **29/544,625**

(22) Filed: **Nov. 4, 2015**

1,949,677 A	3/1934	Crawford	
2,119,621 A	6/1938	Ferrone	
2,253,598 A	8/1941	Africa	
2,289,254 A	7/1942	Eagles	
2,522,381 A	9/1950	Kramer	
2,575,191 A *	11/1951	Seipp	B65D 31/04 383/110
2,633,223 A	3/1953	Zeamer	
2,661,785 A	12/1953	Daust	
2,685,385 A	8/1954	Kuss	
2,808,093 A	10/1957	Gilman	
2,954,891 A	10/1960	Imber	
3,066,846 A	12/1962	Domigan	
3,454,197 A	7/1969	Thompson	
3,801,425 A	4/1974	Cook	
3,814,288 A	6/1974	Westrich	
3,905,511 A	9/1975	Groendal	
4,125,212 A	11/1978	Courchesne	
4,127,155 A	11/1978	Hydom	
4,194,627 A	3/1980	Christensen	
4,196,817 A	4/1980	Moser	
4,197,890 A	4/1980	Simko	
4,210,186 A *	7/1980	Belenson	A45C 3/00 190/110
4,211,091 A	7/1980	Campbell	
4,248,366 A	2/1981	Christiansen	
4,344,303 A	8/1982	Kelly, Jr.	
4,372,453 A	2/1983	Branscum	
4,375,828 A	3/1983	Biddison	
D268,879 S *	5/1983	Outcalt	D3/268
4,399,668 A	8/1983	Williamson	
4,468,933 A	9/1984	Christopher	
4,513,895 A	4/1985	Leslie	
4,537,313 A	8/1985	Workman	
4,541,540 A *	9/1985	Gretz	A45C 11/20 220/523
D281,122 S	10/1985	Bomes et al.	
D281,546 S *	12/1985	Bradshaw	D3/276
D281,646 S *	12/1985	Bomes	D3/286
4,571,338 A	2/1986	Okonogi et al.	
4,595,101 A	6/1986	Rivera	
4,596,370 A	6/1986	Adkins	
4,598,746 A	7/1986	Rabinowitz	
4,679,242 A	7/1987	Brockhaus	

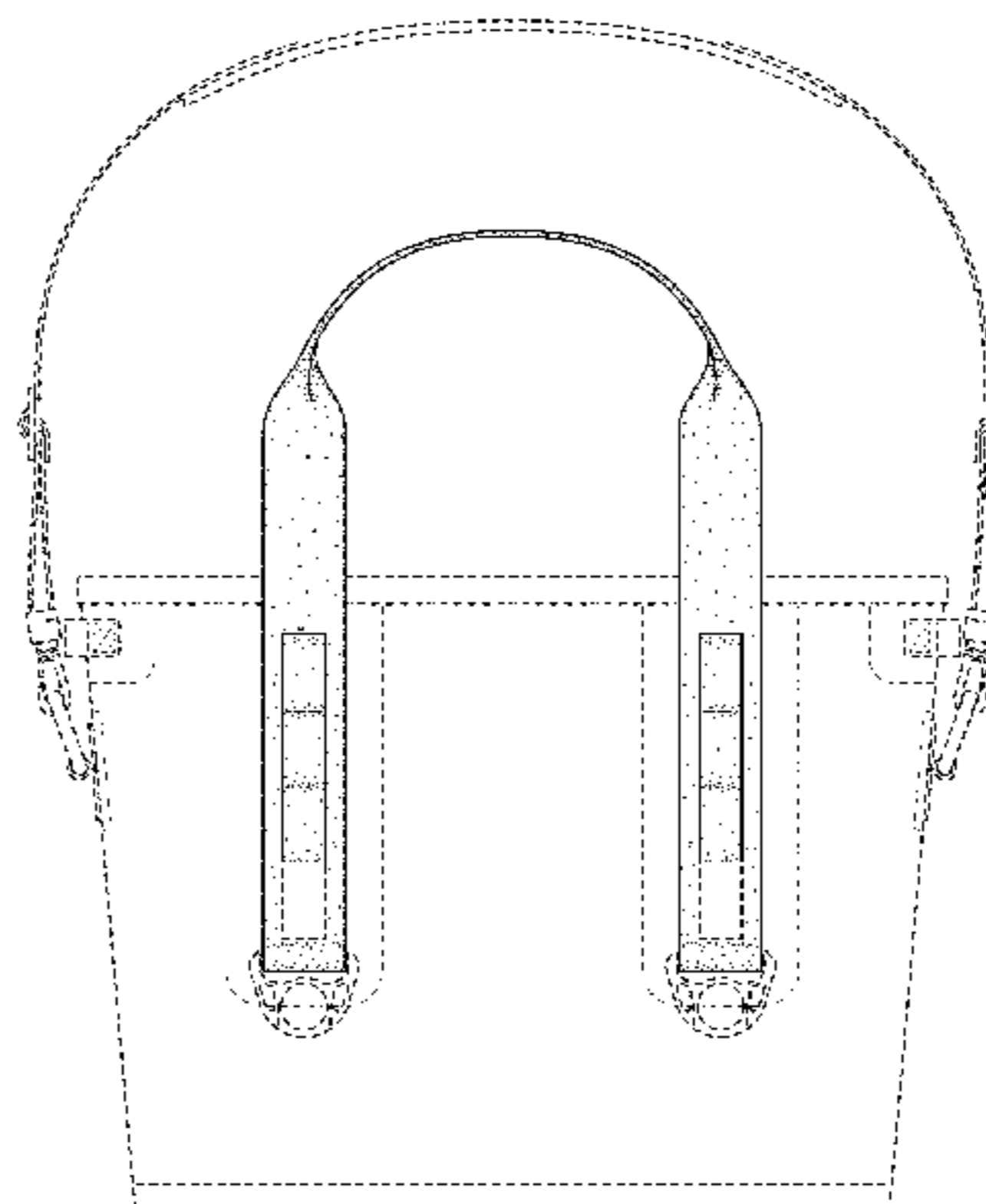
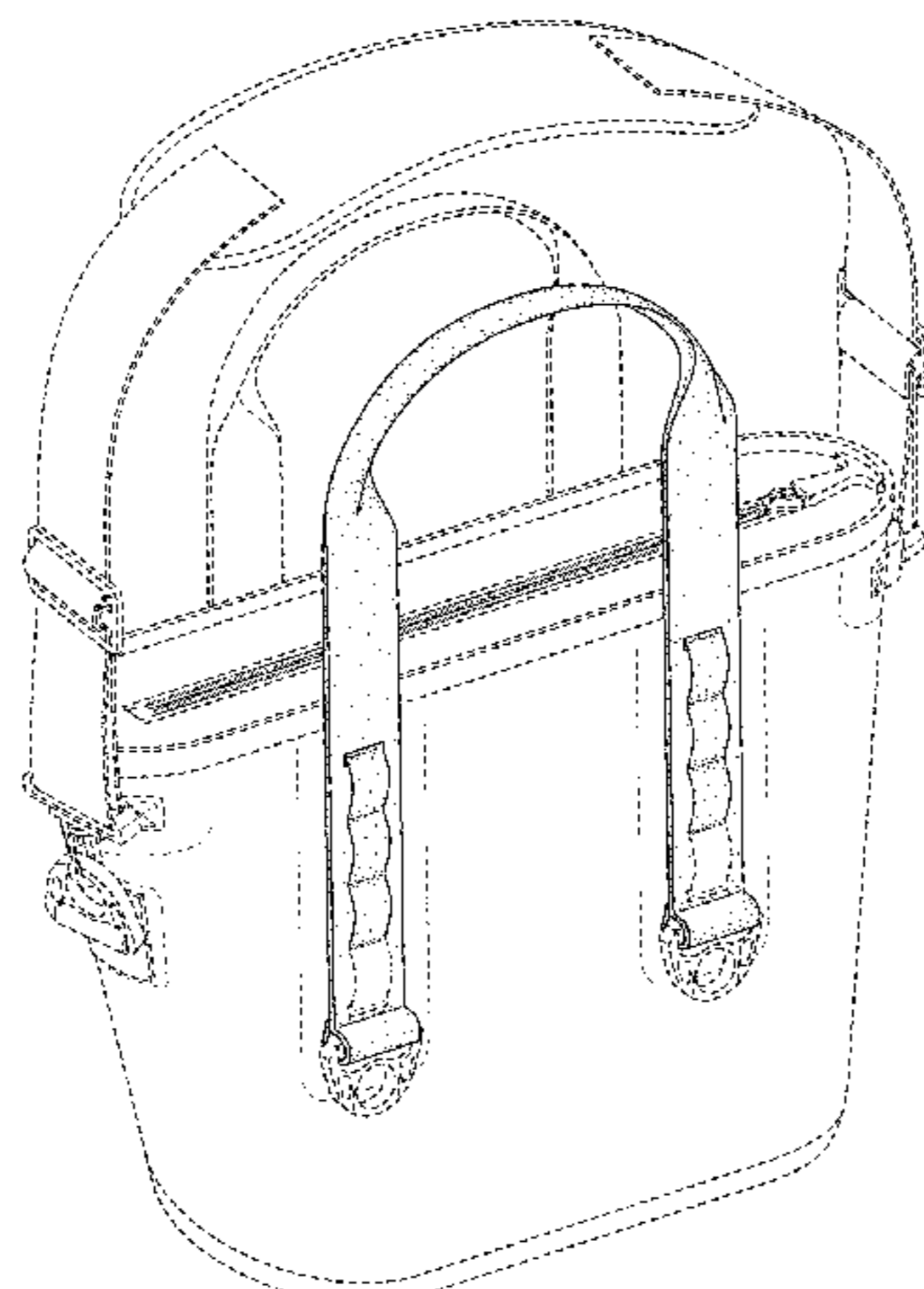
Related U.S. Application Data

(63) Continuation of application No. 29/503,060, filed on
Sep. 23, 2014.

(51) **LOC (11) Cl.** **03-01**

(52) **U.S. Cl.**
USPC **D3/318**

(58) **Field of Classification Search**
USPC D7/601-607, 393, 705, 387; D3/217,
D3/221, 226, 232, 233, 245, 246, 267,
D3/268, 273, 276, 283, 289, 315, 318,
D3/327, 213-216, 225, 231, 254, 287,
D3/303, 307, 320, 322, 324, 285, 228,
D3/240, 243; 220/592.01, 592.09, 592.1,
220/592.2, 592.25, 694, 752, 760;
D8/367, 373, 382, 383, 499; D30/139;
D29/124; D24/190
CPC A45C 3/10; A45C 11/00; A45C 11/20;
A45C 11/22; A45C 13/008; A45C 13/10;
A45C 13/30; A45C 2013/1007; A45C
2013/1015; A45C 5/08; A45C 2200/00;
A45C 2200/20; A45C 2003/007; A45C
2003/008; A45C 3/00; A45C 13/22; A45C
15/00; A63B 29/02; A63B 29/08; A63B
29/028; A45F 3/00; A45F 3/02; A45F
3/14; A45F 2003/002; A45F 2003/142;
A45F 5/10; A45F 2005/108; A45F
2005/1013; B65D 33/00; B65D 33/105;



US D811,746 S

Page 2

4,708,254 A	11/1987	Byrns		D424,417 S *	5/2000	Axelsson	D8/394
4,746,028 A	5/1988	Bagg		6,059,140 A	5/2000	Hicks	
4,759,077 A	7/1988	Leslie		6,065,873 A	5/2000	Fowler	
4,765,476 A	8/1988	Lee		6,068,402 A	5/2000	Freese et al.	
4,796,937 A	1/1989	Andrea		6,073,796 A	6/2000	Mogil	
4,802,344 A	2/1989	Livingston et al.		6,082,589 A	7/2000	Ash et al.	
4,802,602 A	2/1989	Evans et al.		6,082,896 A	7/2000	Pulli	
4,812,054 A *	3/1989	Kirkendall	A45C 3/04 383/110	6,089,038 A	7/2000	Tattam	
				6,092,266 A	7/2000	Lee	
4,826,060 A	5/1989	Hollingsworth		6,128,915 A	10/2000	Wagner	
4,858,444 A	8/1989	Scott		6,145,715 A	11/2000	Slonim	
4,867,214 A	9/1989	Fuller		6,149,305 A	11/2000	Fier	
4,886,183 A	12/1989	Fleming		6,193,034 B1	2/2001	Fournier	
4,941,603 A	7/1990	Creamer et al.		6,220,473 B1	4/2001	Lehman et al.	
4,984,906 A	1/1991	Little		6,234,677 B1	5/2001	Mogil	
4,986,089 A	1/1991	Raab		6,253,570 B1	7/2001	Lustig	
4,989,418 A	2/1991	Hewlett		6,276,579 B1	8/2001	DeLoach	
5,004,091 A	4/1991	Natho et al.		D447,667 S *	9/2001	Schneider	D3/287
5,005,679 A	4/1991	Hjelle		6,286,709 B1	9/2001	Hudson	
5,042,664 A	8/1991	Shyr et al.		6,296,134 B1	10/2001	Cardinale	
5,048,734 A	9/1991	Long		6,296,165 B1	10/2001	Mears	
5,062,557 A	11/1991	Mahvi et al.		6,298,993 B1 *	10/2001	Kalozdi	A45C 3/00 150/106
5,190,376 A	3/1993	Book					
5,216,900 A	6/1993	Jones		6,336,577 B1	1/2002	Harris et al.	
5,221,016 A	6/1993	Karpal		6,353,215 B1	3/2002	Revels et al.	
5,237,838 A	8/1993	Merritt-Munson		D455,934 S	4/2002	Culp et al.	
5,244,136 A	9/1993	Collaso		6,409,066 B1	6/2002	Schneider et al.	
D339,979 S *	10/1993	Wehrley	D6/315	6,422,032 B1	7/2002	Greene	
D340,387 S	10/1993	Melk		D464,235 S	10/2002	Jeong	
D340,621 S	10/1993	Melk		D465,134 S	11/2002	Joss	
D340,840 S	11/1993	Melk		6,481,239 B2	11/2002	Hodosh et al.	
5,269,368 A	12/1993	Schneider et al.		D466,291 S *	12/2002	Ng	D3/254
D343,992 S	2/1994	Melk		6,495,194 B2	12/2002	Sato et al.	
5,297,870 A	3/1994	Weldon		6,505,479 B2	1/2003	Defelice et al.	
5,313,807 A	5/1994	Owen		6,511,695 B1	1/2003	Paquin et al.	
5,325,991 A	7/1994	Williams		D472,431 S	4/2003	Spence, Jr.	
5,354,131 A	10/1994	Mogil		6,554,155 B1	4/2003	Beggins	
5,355,684 A	10/1994	Guice		D474,649 S	5/2003	Spence, Jr.	
5,398,848 A	3/1995	Padamsee		6,582,124 B2	6/2003	Mogil	
5,400,610 A	3/1995	Macedo		D476,481 S	7/2003	Gilbert	
5,403,095 A *	4/1995	Melk	A45C 11/20 220/23.87	6,595,687 B2	7/2003	Godshaw et al.	
				D478,782 S *	8/2003	Li	D7/607
5,421,172 A	6/1995	Jones		6,604,649 B1	8/2003	Campi	
5,447,764 A	9/1995	Langford		6,605,311 B2	8/2003	Villagran et al.	
5,490,396 A	2/1996	Morris		6,619,447 B1	9/2003	Garcia, III et al.	
D370,599 S	6/1996	Christopher et al.		6,629,430 B2	10/2003	Mills et al.	
D371,052 S *	6/1996	Melk	D7/607	D482,241 S	11/2003	Tyler	
5,529,217 A	6/1996	Siegel		6,652,933 B2	11/2003	Hall	
D373,515 S	9/1996	Melk		6,655,543 B2	12/2003	Beuke	
5,562,228 A	10/1996	Ericson		D485,131 S	1/2004	Lanman et al.	
5,564,568 A	10/1996	Rankin, Sr.		D485,732 S	1/2004	Lanman et al.	
5,569,401 A	10/1996	Gilliland et al.		D486,038 S	2/2004	Lanman et al.	
5,595,320 A	1/1997	Aghassipour		6,729,758 B1	5/2004	Carter	
D383,360 S	9/1997	Melk		D492,160 S	6/2004	Lanman et al.	
5,680,944 A	10/1997	Rueter		D497,518 S	10/2004	Bellofatto, Jr. et al.	
5,680,958 A	10/1997	Mann et al.		6,799,693 B2	10/2004	Meza	
D386,310 S	11/1997	Smith		D498,924 S	11/2004	Karl	
5,687,874 A	11/1997	Omori et al.		D502,599 S	3/2005	Cabana et al.	
D387,249 S	12/1997	Mogil		D503,279 S *	3/2005	Smith	D3/283
5,706,969 A	1/1998	Yamada et al.		6,874,356 B2	4/2005	Komfeldt et al.	
D394,553 S *	5/1998	Lin	D3/318	D506,645 S	6/2005	Bellofatto, Jr. et al.	
D395,555 S *	6/1998	Ursitti	D34/29	D512,274 S	12/2005	Cabey	
5,758,513 A	6/1998	Smith		D515,362 S	2/2006	Chan	
D397,273 S	8/1998	Collie		D517,801 S *	3/2006	Woo	D3/217
5,816,709 A	10/1998	Demus		D520,306 S	5/2006	Peterson	
D401,063 S	11/1998	Yamamoto et al.		D523,243 S	6/2006	Nashmy	
5,842,571 A	12/1998	Rausch		D527,226 S	8/2006	Maldonado	
5,845,514 A	12/1998	Clarke et al.		D530,089 S	10/2006	Silverman	
5,848,734 A	12/1998	Melk		7,153,025 B1	12/2006	Jackson et al.	
5,857,778 A	1/1999	Ells		D534,352 S *	1/2007	Delafontaine	D3/246
5,909,821 A	6/1999	Guridi		D534,771 S	1/2007	Zorn	
5,913,448 A	6/1999	Mann et al.		7,162,890 B2	1/2007	Mogil et al.	
5,915,580 A	6/1999	Melk		D539,033 S *	3/2007	Cassegrain	D3/246
5,931,583 A	8/1999	Collie		7,201,285 B2	4/2007	Beggins	
5,988,468 A	11/1999	Murdoch et al.		7,207,716 B2	4/2007	Buchanan et al.	
5,988,879 A	11/1999	Bredderman et al.		7,219,814 B2	5/2007	Lown et al.	
6,019,245 A	2/2000	Foster et al.		7,240,513 B1	7/2007	Conforti	
6,027,249 A	2/2000	Bielinski		D550,448 S *	9/2007	Boje	D3/217
6,029,847 A	2/2000	Mahoney, Jr. et al.		7,264,134 B2	9/2007	Tulp	

US D811,746 S

D557,667 S	12/2007	Kawamura et al.	D732,349 S *	6/2015	Seiders	D3/246
7,302,810 B2	12/2007	McCrary	D732,350 S *	6/2015	Seiders	D3/246
D560,102 S	1/2008	Sumter	D732,899 S *	6/2015	Seiders	D3/246
7,313,927 B2	1/2008	Barker	D734,643 S	7/2015	Boroski	
7,344,028 B2	3/2008	Hanson	D734,992 S	7/2015	Boroski	
D570,603 S	6/2008	Wu et al.	9,084,463 B2	7/2015	Merrill	
D573,422 S	7/2008	Tagliati et al.	D738,108 S	9/2015	Adler et al.	
D574,667 S	8/2008	Grabijas III et al.	D739,654 S *	9/2015	Brouard	D3/276
D578,401 S	10/2008	Perry et al.	9,139,352 B2 *	9/2015	Seiders	B65D 81/3858
D582,151 S *	12/2008	Gonzalez	9,146,051 B2	9/2015	Kamin et al.	
7,481,065 B2	1/2009	Krieger	D747,104 S *	1/2016	Ford	D3/216
D598,194 S	8/2009	Turvey et al.	9,226,558 B2	1/2016	Armstrong	
7,597,478 B2	10/2009	Pruchnicki et al.	9,254,022 B2	2/2016	Meldeau et al.	
7,634,919 B2	12/2009	Bernhard, Jr. et al.	9,254,023 B2	2/2016	Su et al.	
D607,697 S	1/2010	Whitlock et al.	9,265,318 B1	2/2016	Williams et al.	
D608,096 S *	1/2010	Noble	D752,347 S *	3/2016	Seiders	D3/318
D608,159 S	1/2010	Whitlock et al.	9,271,553 B2	3/2016	Ponx	
D610,795 S	3/2010	Dejadon	9,290,313 B2	3/2016	De Lesseux et al.	
D611,706 S *	3/2010	Angles	D756,109 S *	5/2016	Hayashi	D3/232
7,682,080 B2 *	3/2010	Mogil	9,366,467 B2	6/2016	Kiedaisch et al.	
			D760,494 S *	7/2016	Harvey-Pankey	D3/232
D617,560 S *	6/2010	Wu	D761,561 S *	7/2016	Cheng	D3/246
7,730,739 B2	6/2010	Fuchs	D763,570 S *	8/2016	Potts	D3/232
D618,966 S *	7/2010	Koehler	D764,791 S *	8/2016	Patel	D3/232
D619,423 S *	7/2010	Koehler	D770,761 S *	11/2016	Deioma	D3/217
D619,854 S	7/2010	Koehler et al.	D770,763 S *	11/2016	Joo	D3/232
D619,855 S *	7/2010	Koehler	D771,372 S *	11/2016	Kelly	D3/217
D620,707 S *	8/2010	Mogil	D772,562 S *	11/2016	Petre	D3/216
D620,708 S *	8/2010	Sanz	D778,045 S *	2/2017	Ruddis	D3/232
7,775,388 B2	8/2010	Murrer, III	D782,820 S *	4/2017	Thompson	D3/283
7,784,759 B2	8/2010	Farrell	D784,010 S *	4/2017	Dumas	D3/232
7,791,003 B2	9/2010	Lockhart et al.	D785,325 S *	5/2017	Samrelius	D3/246
7,811,620 B2	10/2010	Merrill et al.	D786,559 S *	5/2017	Seiders	D3/318
7,815,069 B1	10/2010	Bellofatto et al.	D786,560 S *	5/2017	Seiders	D3/318
D629,612 S *	12/2010	Weldon	D786,561 S *	5/2017	Seiders	D3/318
7,874,177 B2	1/2011	Azamy	D797,454 S *	9/2017	Seiders	D3/318
7,900,816 B2	3/2011	Kastanek et al.	D797,455 S *	9/2017	Seiders	D3/318
D638,220 S	5/2011	Chu et al.	2002/0197369 A1	12/2002	Modler	
D642,870 S	8/2011	Whitlock et al.	2003/0070447 A1	4/2003	Tanaka	
D645,662 S *	9/2011	Perez	2003/0080133 A1	5/2003	Butler	
8,016,090 B2	9/2011	McCoy et al.	2003/0106895 A1	6/2003	Kalal	
8,043,004 B2	10/2011	Mogil	2003/0136702 A1	7/2003	Redzisz et al.	
D648,532 S	11/2011	Sosnovsky	2003/0175394 A1	9/2003	Modler	
D650,169 S *	12/2011	Klifa	2004/0004111 A1	1/2004	Cardinale	
8,096,442 B2	1/2012	Ramundi	2004/0028296 A1	2/2004	Meli	
8,191,747 B2	6/2012	Pruchnicki	2004/0074936 A1	4/2004	McDonald	
D664,261 S	7/2012	Kravitz et al.	2004/0094589 A1	5/2004	Fricano	
8,209,995 B2	7/2012	Kieling et al.	2004/0144783 A1	7/2004	Anderson et al.	
D666,896 S *	9/2012	Pinholster, Jr.	2004/0149600 A1	8/2004	Wolter et al.	
D667,043 S *	9/2012	Couch, III	2004/0164084 A1	8/2004	Cooper	
8,281,950 B2	10/2012	Potts et al.	2004/0237266 A1	12/2004	Wang	
D673,363 S *	1/2013	Crandall	2005/0016895 A1	1/2005	Glenn	
D674,664 S	1/2013	Collie	2005/0034947 A1 *	2/2005	Nykoluk	A45C 7/0018 190/18 A
8,424,713 B2	4/2013	Bolland				
D682,635 S	5/2013	Boroski	2005/0045520 A1	3/2005	Johnson	
8,453,899 B1 *	6/2013	Calkin	2005/0045521 A1	3/2005	Johnson et al.	
			2005/0196510 A1	9/2005	Walters	
8,474,640 B2	7/2013	Armstrong	2005/0262871 A1	12/2005	Bailey-Weston	
8,516,848 B2	8/2013	White et al.	2005/0263528 A1	12/2005	Maldonado et al.	
8,544,678 B1	10/2013	Hughes	2005/0279124 A1	12/2005	Maldonado	
8,573,002 B2	11/2013	Ledoux et al.	2006/0007266 A1	1/2006	Silverbrook	
D695,568 S *	12/2013	Hayes	2006/0102497 A1	5/2006	Wulf	
8,622,235 B2	1/2014	Suchecki	2006/0151533 A1	7/2006	Simunovic et al.	
D699,940 S *	2/2014	Robert	2006/0201979 A1	9/2006	Achilles	
D699,941 S *	2/2014	Robert	2006/0240159 A1	10/2006	Cash et al.	
D703,946 S *	5/2014	Tweedie	2007/0012593 A1	1/2007	Kitchens et al.	
8,720,739 B2	5/2014	Bollis	2007/0148305 A1	6/2007	Sherwood et al.	
D710,085 S *	8/2014	Szewczyk	2007/0148307 A1	6/2007	Sherwood et al.	
D711,096 S *	8/2014	Hanna	2007/0217187 A1	9/2007	Blakely et al.	
D712,555 S *	9/2014	Berg	2007/0221693 A1	9/2007	Moore	
8,827,109 B1	9/2014	Sheehan	2007/0237432 A1	10/2007	Mogil	
8,844,756 B2	9/2014	Beyburg	2007/0261977 A1	11/2007	Sakai	
D715,544 S *	10/2014	Levine	2007/0274613 A1 *	11/2007	Pruchnicki	A45C 7/0077 383/110
D718,931 S *	12/2014	Brundl				
D719,303 S *	12/2014	Anderson	2007/0290816 A1	12/2007	Bedard	
8,899,071 B2	12/2014	Mogil et al.	2008/0038424 A1	2/2008	Krusemann	
D725,908 S	4/2015	Zwetzig	2008/0073364 A1	3/2008	Simmons	
D728,942 S	5/2015	Byham	2008/0105282 A1	5/2008	Fernholz et al.	
D732,348 S *	6/2015	Seiders	2008/0128421 A1	6/2008	Ulbrand et al.	

US D811,746 S

Page 4

2008/0160149	A1	7/2008	Nasrallah et al.	CA	2549327	A1	11/2007
2008/0164265	A1	7/2008	Conforti	CA	2633223	A1	12/2009
2008/0178865	A1	7/2008	Retterer	CA	2782668	A1	12/2013
2008/0245096	A1	10/2008	Hanson et al.	CN	2125339	U	12/1992
2008/0260303	A1	10/2008	De Lesseux et al.	CN	2188899	Y	2/1995
2008/0305235	A1	12/2008	Gao et al.	CN	201062136	Y	5/2008
2009/0052809	A1	2/2009	Sampson	CN	102717977	A	10/2012
2009/0095757	A1	4/2009	Ramundi	CN	202619972	U	12/2012
2009/0280229	A1	11/2009	Constantine et al.	CN	202959175	U	6/2013
2009/0311378	A1	12/2009	Wilaschin et al.	CN	103385657	A	11/2013
2009/0317514	A1	12/2009	Sizer	CN	302623771		11/2013
2010/0047423	A1	2/2010	Kruesemann et al.	CN	302623775		11/2013
2010/0059199	A1	3/2010	Court	CN	302769710		3/2014
2010/0075006	A1	3/2010	Semenza	CN	302956550		10/2014
2010/0108694	A1	5/2010	Sedlbauer et al.	CN	303100086		2/2015
2010/0136203	A1	6/2010	Sakata et al.	CN	303342902		8/2015
2010/0143567	A1	6/2010	Ye et al.	DE	3539626	A1	5/1987
2010/0224660	A1*	9/2010	Gleason A45F 3/047 224/264	DE	20002689	U1	8/2000
				DE	202011050174	U1	7/2011
				DE	202013101115	U1	3/2013
2010/0284631	A1	11/2010	Lee	EP	0037545	A2	10/1981
2011/0003975	A1	1/2011	Arase et al.	EP	0082131	A2	6/1983
2011/0005739	A1	1/2011	Finney et al.	EP	85534	A1	8/1983
2011/0030415	A1	2/2011	Breyburg et al.	EP	0158634	A1	10/1985
2011/0097442	A1	4/2011	Harju et al.	EP	0174159	A2	3/1986
2011/0108562	A1	5/2011	Lyons	FR	1269009	A	8/1961
2011/0167863	A1	7/2011	Herrbold	FR	2440886	A1	6/1980
2011/0182532	A1	7/2011	Baltus	GB	1600133	A	10/1981
2011/0191933	A1*	8/2011	Gregory A41D 13/0012 2/69	GB	2249717	A	5/1992
				GB	2335972	A	10/1999
2011/0284601	A1	11/2011	Pullin	GB	3004135		9/2002
2011/0311166	A1	12/2011	Pascua	GB	3006367		10/2002
2012/0106130	A1	5/2012	Beaudette	JP	11051532		2/1999
2012/0137637	A1	6/2012	Gillis	JP	3275477	B2	4/2002
2012/0180184	A1*	7/2012	Crye A41D 13/0007 2/69	JP	D1160335		12/2002
				JP	2003026258	A	1/2003
2012/0181211	A1	7/2012	Charlebois	JP	D1213384		8/2004
2012/0187138	A1	7/2012	Vasquez et al.	JP	D1242111		6/2005
2012/0294550	A1	11/2012	Hassman et al.	JP	2010023926	A	2/2010
2012/0311828	A1	12/2012	Nir	JP	D1445624		7/2012
2013/0014355	A1	1/2013	Lee	KR	20020027739	A	4/2002
2013/0043285	A1	2/2013	Cordray	KR	20040092730	A	11/2004
2013/0174600	A1	7/2013	Sarcinella	KR	300778570.0000		1/2015
2013/0216158	A1*	8/2013	Meldeau A45C 3/04 383/24	KR	300808669.0000		8/2015
				KR	300835242.0000		1/2016
2013/0264350	A1	10/2013	Handlon et al.	KR	300853718.0000		5/2016
2013/0294712	A1*	11/2013	Seuk A45F 3/04 383/117	WO	9524146	A2	9/1995
				WO	9812954	A1	4/1998
2013/0341338	A1	12/2013	Mitchell et al.	WO	2006007266	A2	1/2006
2014/0023295	A1	1/2014	Wagner	WO	2006058538	A1	6/2006
2014/0034543	A1	2/2014	Grubstein	WO	2007016092	A2	2/2007
2014/0226920	A1	8/2014	Passavia	WO	2010106296	A2	9/2010
2014/0248003	A1	9/2014	Mogil et al.	WO	2010120199	A1	10/2010
2014/0254956	A1	9/2014	Buell, III	WO	2012003543	A1	1/2012
2015/0008242	A1	1/2015	Kpabar, Jr.	WO	2014033450	A1	3/2014
2015/0136796	A1	5/2015	Muehlhauser	WO	2016066817	A1	5/2016
2015/0175338	A1	6/2015	Culp et al.				
2015/0225164	A1*	8/2015	Seiders B65D 81/3858 220/592.25				
2015/0335202	A1	11/2015	Wisner et al.				
2015/0353263	A1*	12/2015	Seiders B65D 81/3858 29/428				
2016/0066817	A1	3/2016	Hannes				
2016/0101924	A1	4/2016	Mitchell et al.				
2016/0107816	A1	4/2016	Larpenteur et al.				
2016/0257479	A1*	9/2016	Seiders B65D 81/389				
2016/0338462	A1*	11/2016	Hayashi A45C 13/26				

FOREIGN PATENT DOCUMENTS

BE	1015808	A6	9/2005
CA	2300014	A1	8/2001
CA	2327764	A1	6/2002
CA	2433251	A1	12/2004
CA	2483802	A1	4/2006
CA	2498796	A1	9/2006
CA	2499291	A1	9/2006
CA	2503473	A1	10/2006
CA	2548064	A1	11/2007

OTHER PUBLICATIONS

The-gadgeteer.com: Tom Bihn Camera I-O Bag Review. Published by Janet Cloninger on Jul. 9, 2012. Retrieved from the Internet at <<http://the-gadgeteer.com/2012/07/09/tom-bihn-camera-i-o-bag-review/>>, Jan. 8, 2016. 7 pages.*

YouTube.com: Patagonia Black Hole Duffel 60L. Published Aug. 26, 2013. Retrieved from the internet at <<https://www.youtube.com/watch?v=W-PWEmZmVv8>>, Dec. 19, 2016. 1 page.*

TheGadgeteer.com: Tom Bihn Camera I-O Bag Review. Published Jul. 9, 2012. Retrieved from the internet at <<http://the-gadgeteer.com/2012/07/09/tom-bihn-camera-i-o-bag-review/>>, Jan. 11, 2016. 7 pages.*

Stopper Dry Bag, <http://www.seatosummit.com/products/display/181>, published date unknown, but prior to the filing date of the present application, Sea to Summit, United States.

Icemule Classic Cooler—Large (20L), <http://www.icemulecooler.com/icemule-classic-cooler-large-20l/>, published date unknown, but prior to the filing date of the present application, ICEMULE, United States.

Devonbuy.com: Thule Gauntlet 13" MacBook Pro Attaché. Published on Jul. 28, 2014. Retrieved from the Internet at <<http://www.devonbuy.com/thule-gauntlet-13-macbook-pro-attache/>>, Feb. 24, 2016. 9 pages.

United States District Court for the Western District of Texas, Austin Division, "Defendants' Answer and Counterclaims to Yeti's Complaint," *Yeti Coolers, LLC*, vs. *RTIC Soft Sided Coolers, LLC, RTIC Coolers, LLC, RTIC Web Services, LLC, and Corporate Support and Fulfillment, LLC*, Case 1:16-cv-00909-RP, Document 11, Filed Aug. 18, 2016, 44 pages.

United States District Court Western District of Texas, Austin Division, "Complaint," *Yeti Coolers, LLC*, v. *RTIC Soft Side Coolers, RTIC Coolers, LLC, RTIC Web Services, LLC, and Corporate Support and Fulfillment, LLC*, Case 1:16-cv-00909, Document 1, Filed Jul. 27, 2016, 66 pages.

United States District Court Western District of Texas, Austin Division, "Complaint for Damages and Injunctive Relief," *Yeti Coolers, LLC* v. *Jennifer Leverne Bootz Evans d/b/a Bling and Burlap Buy in's and Blanks*, Case 1:15-cv-00995, Document 1, Filed Nov. 2, 2015, 128 pages.

United States District Court Western District of Texas, Austin Division, "Order," *Yeti Coolers, LLC* v. *Jennifer Leverne Bootz Evans d/b/a Bling and Burlap Buy in's and Blanks*, Case 1:15-cv-00995-RP, Document 18, Filed Apr. 18, 2016, 1 page.

United States District Court Western District of Texas, Austin Division, "Defendant's Reply in Support of Their Rule 12 (B)(6) Motion to Dismiss for Failure to State a Claim" *Yeti Coolers, LLC*, *RTIC Soft Sided Coolers, LLC, RTIC Coolers, LLC, RTIC Web Services, LLC, and Corporate Support and Fulfillment, LLC*, Case 1:16-cv-00909-RP, Document 15, Filed Sep. 8, 2016, 13 pages.

United States District Court Western District of Texas, Austin Division, "Yeti's Answer to RTIC's Counterclaims," *Yeti Coolers, LLC* v. *RTIC Soft Sided Coolers, LLC, RTIC Coolers, LLC, RTIC Web Services, LLC, and Corporate Support and Fulfillment, LLC*, Case 1:16-cv-00909-RP, Document 14, Filed Sep. 2, 2016, 16 pages.

United States District Court Western District of Texas, Austin Division, "Yeti's Opposition to RTIC's Motion to Dismiss," *Yeti Coolers, LLC* v. *RTIC Soft Sided Coolers, LLC, RTIC Coolers, LLC, RTIC Web Services, LLC, and Corporate Support and Fulfillment, LLC*, Case 1:16-cv-00909-RP, Document 13, Filed Sep. 1, 2016, 17 pages.

United States District Court for the Western District of Texas, Austin Division, "Defendants' Rule 12(B)(6) Motion to Dismiss for Failure to State a Claim," *Yeti Coolers, LLC*, vs. *RTIC Soft Sided Coolers, LLC, RTIC Coolers, LLC, RTIC Web Services, LLC, and Corporate Support and Fulfillment, LLC*, Case 1:16-cv-00909-RP, Document 10, Filed Aug. 18, 2016, 12 pages.

United States District Court for the Western District of Texas, Austin Division, "Joint Rule 26(f) Report and Discovery Plan," *Yeti Coolers, LLC*, vs. *RTIC Soft Sided Coolers, LLC, RTIC Coolers, LLC, RTIC Web Services, LLC, and Corporate Support and Fulfillment, LLC*, Case 1:16-cv-00909-RP, Document 19, Filed Oct. 11, 2016, 9 pages.

Petition for Inter Partes Review of U.S. Pat. No. 9139352, filed on Dec. 13, 2016, 1616 pages.

YouTube.com: Patagonia Black Hole Duffel 60L. Published Aug. 26, 2013. Retrieved from the internet at <<https://www.youtube.com/watch?v=W-PWEmZmVv8>>, Dec. 19, 2016. 1 page.

Youtube, "Yeti Hopper Cooler At ICast 2014", Uploaded by user TackleDirect' on Jul. 17, 2014, Accessed Jan. 31, 2017. (<https://www.youtube.com/watch?v=A2rKRdyZcZ4>).

Ebags, Picnic Pack Picnic Pack Large Insulated Cooler Tote, First reviewed on Jul. 20, 2016. Accessed Feb. 7, 2017. (<http://www.ebags.com/product/picnic-pack/picnic-pack-large-insulated-cooler-tote/313704?productid=10428840>).

Ebags, "Picnic Pack Picnic Pack Large Insulated Cooler Tote", First reviewed Jul. 20, 2016. Accessed Jan. 31, 2017. (<http://www.ebags.com/product/picnic-pack/picnic-pack-large-insulated-cooler-tote/313704?productid=10428840>).

United States Patent and Trademark Office Before the Patent Trial and Appeal Board, Decisions Joint Motions to Terminate Inter Partes reviews, Entered Mar. 22, 2017—(4 pages).

United States District Court Western District of Texas Austin Division, "Complaint," *Yeti Coolers, LLC* v. *Glacier Coolers, LLC, and Tecomate Holdings, LLC*, Case 1:17-cv-00586, Document 1, filed Jun. 15, 2017, 161 pages.

* cited by examiner

Primary Examiner — Rosemary K Tarcza

Assistant Examiner — Christy M Nemeth

(74) *Attorney, Agent, or Firm* — Banner & Witcoff, Ltd.

(57) CLAIM

The ornamental design for an insulating device, as shown and described.

DESCRIPTION

FIG. 1 is a top, front, left perspective view of an insulating device showing our new design;

FIG. 2 is a front view thereof;

FIG. 3 is a left side view thereof;

FIG. 4 is a right side view thereof; and,

FIG. 5 is a top view thereof.

The broken lines showing the remainder of the insulating device are for the purpose of depicting environmental subject matter which forms no part of the claimed design. The stipple shading in the drawings is a drawing convention and does not illustrate material, surface ornamentation, or surface decoration.

1 Claim, 5 Drawing Sheets

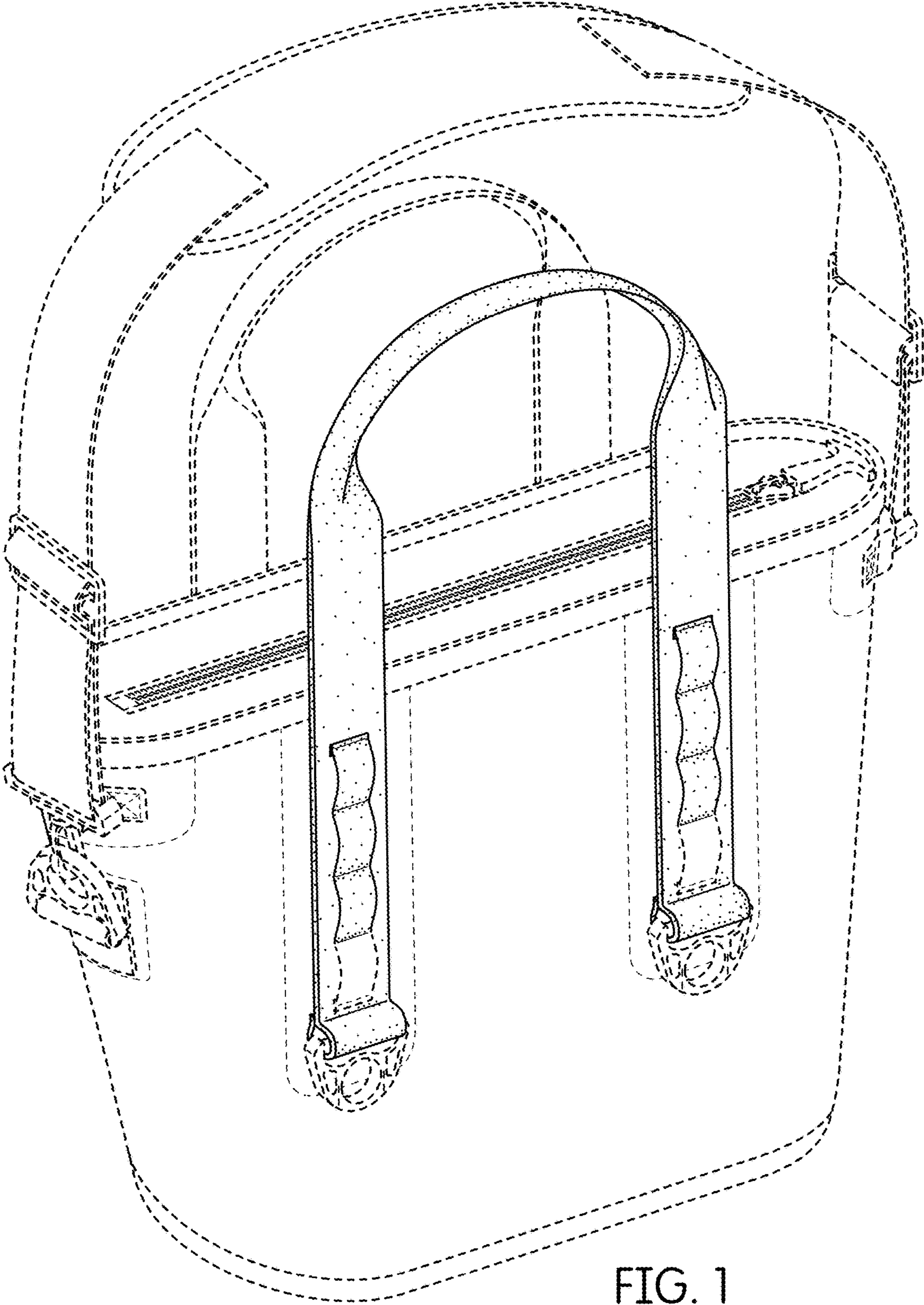


FIG. 1

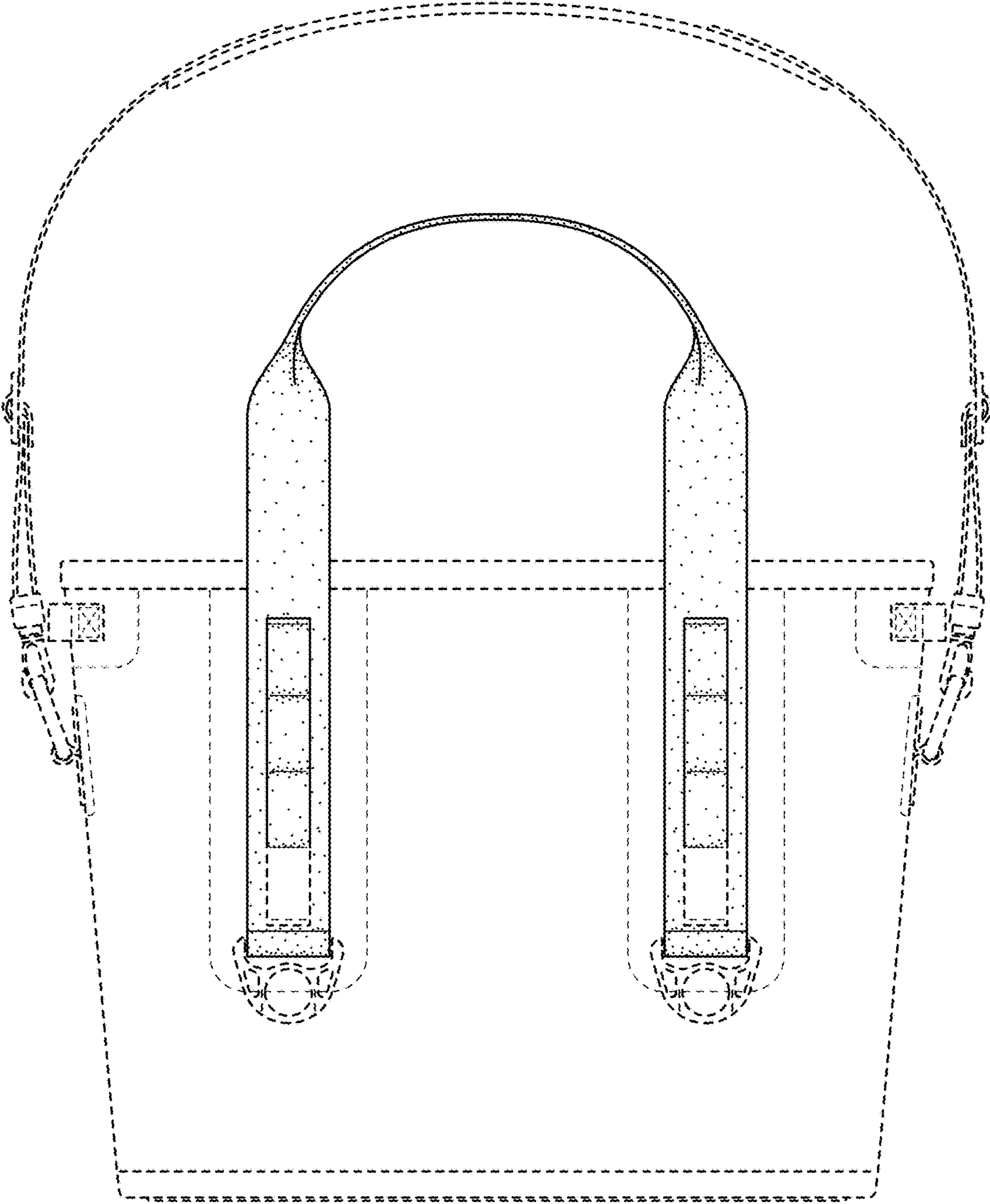


FIG. 2

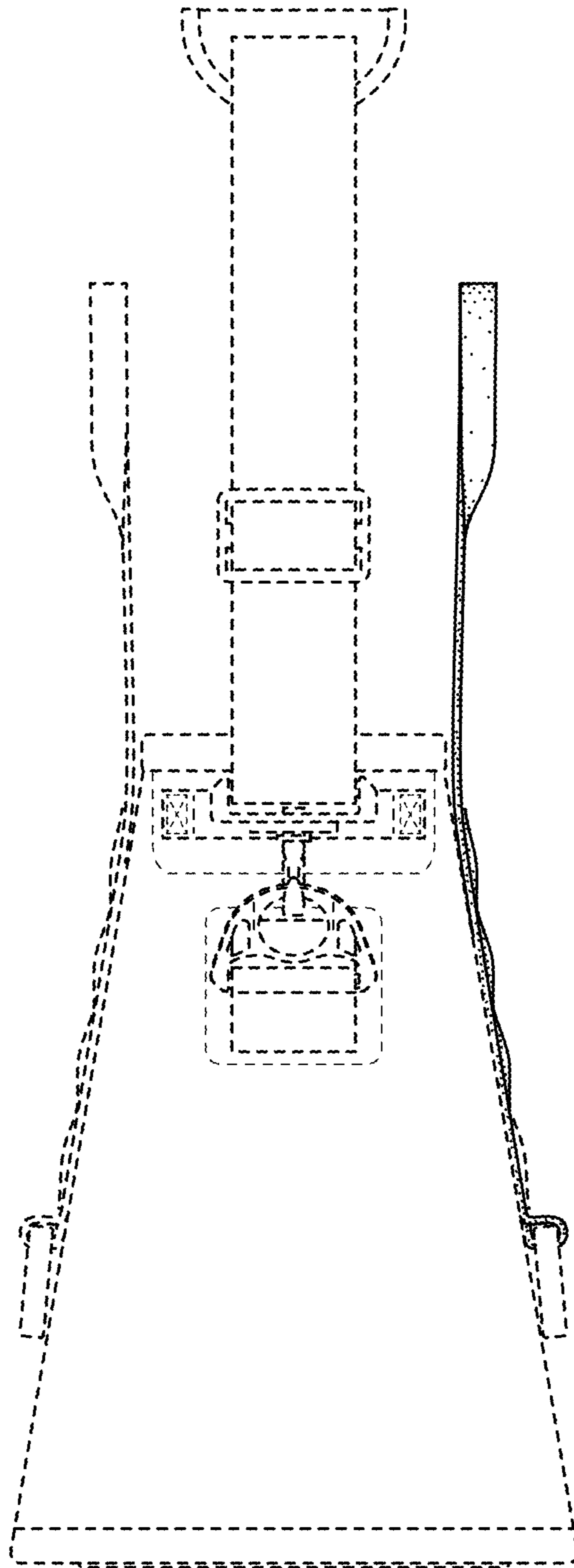


FIG. 3

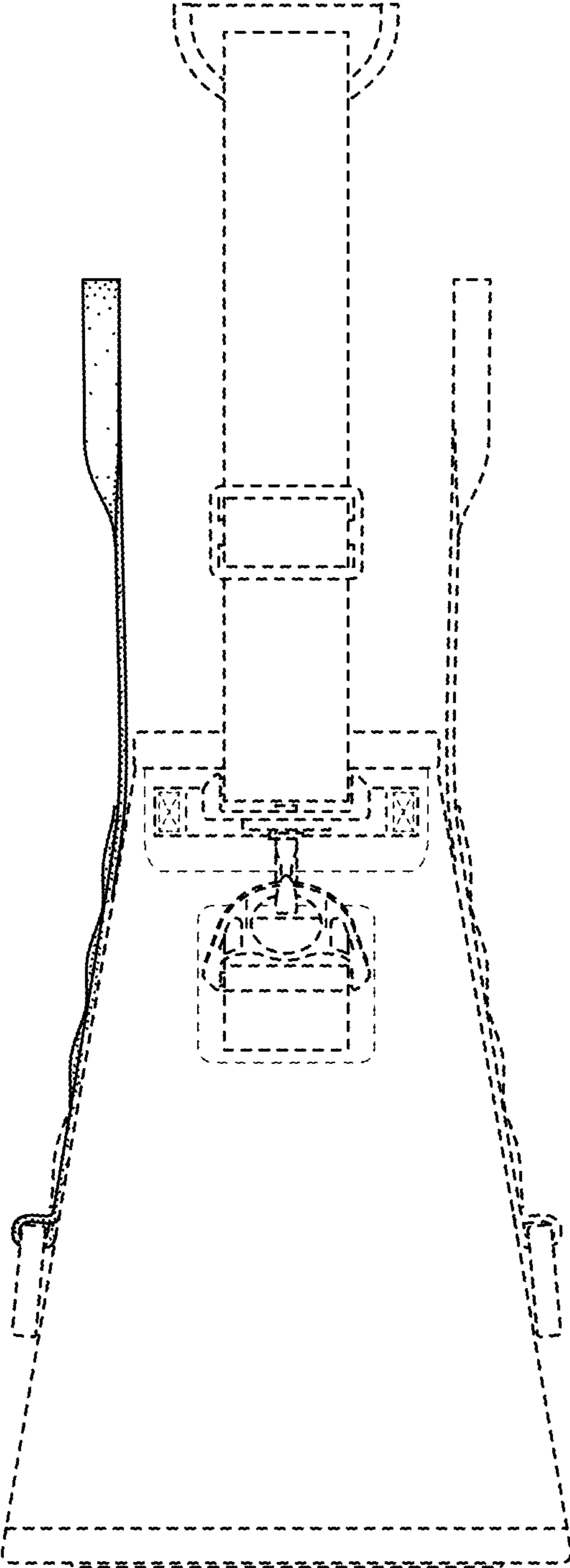


FIG. 4

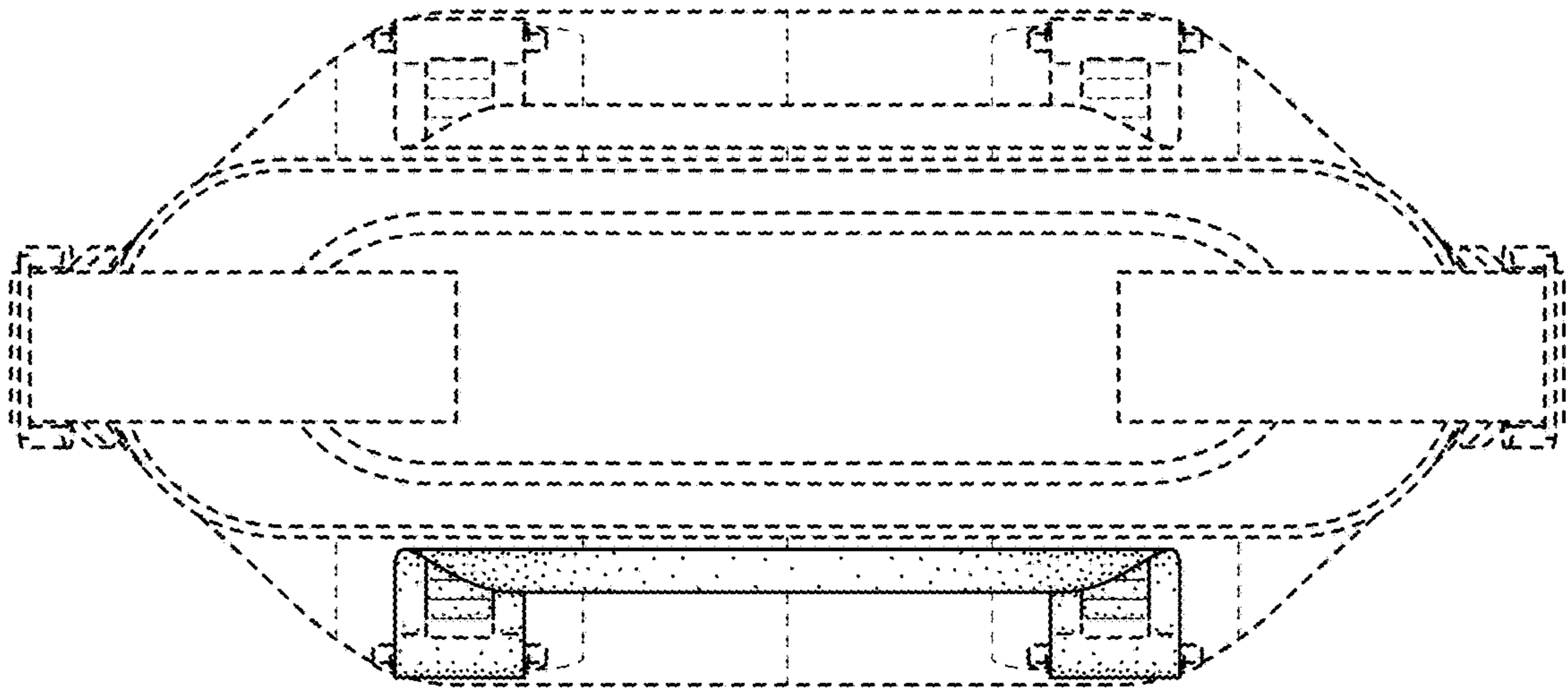


FIG. 5