



US00D811745S

(12) **United States Design Patent** (10) **Patent No.:** **US D811,745 S**  
**Davi et al.** (45) **Date of Patent:** **\*\* Mar. 6, 2018**

(54) **HEADPHONE CARRYING CASE**  
(71) Applicant: **Davi Audio, Inc.**, Longwood, FL (US)  
(72) Inventors: **Leonard Davi**, Longwood, FL (US);  
**Massimo Borrelli**, Moncalieri (IT);  
**Jason May**, Converse, TX (US)  
(73) Assignee: **Davi Audio, Inc.**, Longwood, FL (US)  
(\*\*) Term: **15 Years**  
(21) Appl. No.: **29/582,910**

(22) Filed: **Oct. 31, 2016**  
(51) **LOC (11) Cl.** ..... **03-01**  
(52) **U.S. Cl.**  
USPC ..... **D3/294; D3/218**  
(58) **Field of Classification Search**  
USPC ..... D3/201, 203.1, 203.2, 203.6, 212, 218,  
D3/273, 274, 294, 315, 900, 901, 903;  
D6/407, 632, 634; D19/26, 27;  
D14/348, 498, 141.1, 240, 358; 206/307,  
206/307.1, 308.1; 235/380, 382, 382.5;  
355/64, 65, 75, 81; 250/556  
CPC ..... H04L 12/00; H03K 17/00; H04W 88/00;  
H04W 88/02; H04W 88/05; H04W 88/08;  
H04W 88/85; H04W 88/10; H04W 88/12;  
H04W 88/14; H04B 1/38  
See application file for complete search history.

(56) **References Cited**  
U.S. PATENT DOCUMENTS  
D259,975 S \* 7/1981 LaBarbera ..... D18/54  
D270,064 S \* 8/1983 Ackeret ..... 40/513  
D349,335 S \* 8/1994 Wang ..... D23/366  
D359,287 S \* 6/1995 Heberling ..... D14/242  
D372,474 S \* 8/1996 Ford ..... D13/184  
D424,032 S \* 5/2000 Andre ..... D14/318  
D426,955 S \* 6/2000 Salvatori ..... D3/273  
D452,939 S \* 1/2002 Lai ..... D27/189  
D462,224 S \* 9/2002 Bellin ..... D6/407

D462,561 S \* 9/2002 Bellin ..... D6/407  
D484,881 S \* 1/2004 Lai ..... D14/385  
D502,947 S \* 3/2005 Zhang ..... D14/385  
D506,611 S \* 6/2005 Hiller ..... D3/281  
D509,960 S \* 9/2005 Yeung ..... D3/281  
D515,804 S \* 2/2006 Chue ..... D3/203.2  
D539,284 S \* 3/2007 Yamano ..... D14/425  
D578,119 S \* 10/2008 Camarena ..... D14/368  
D579,931 S \* 11/2008 Chang ..... D14/242  
D582,408 S \* 12/2008 Maiers ..... D14/356  
D583,366 S \* 12/2008 Chen ..... D14/240  
D584,306 S \* 1/2009 Maiers ..... D14/356  
D587,706 S \* 3/2009 Maiers ..... D14/356  
D589,045 S \* 3/2009 Lee ..... D14/358  
D598,449 S \* 8/2009 Landry ..... D14/358

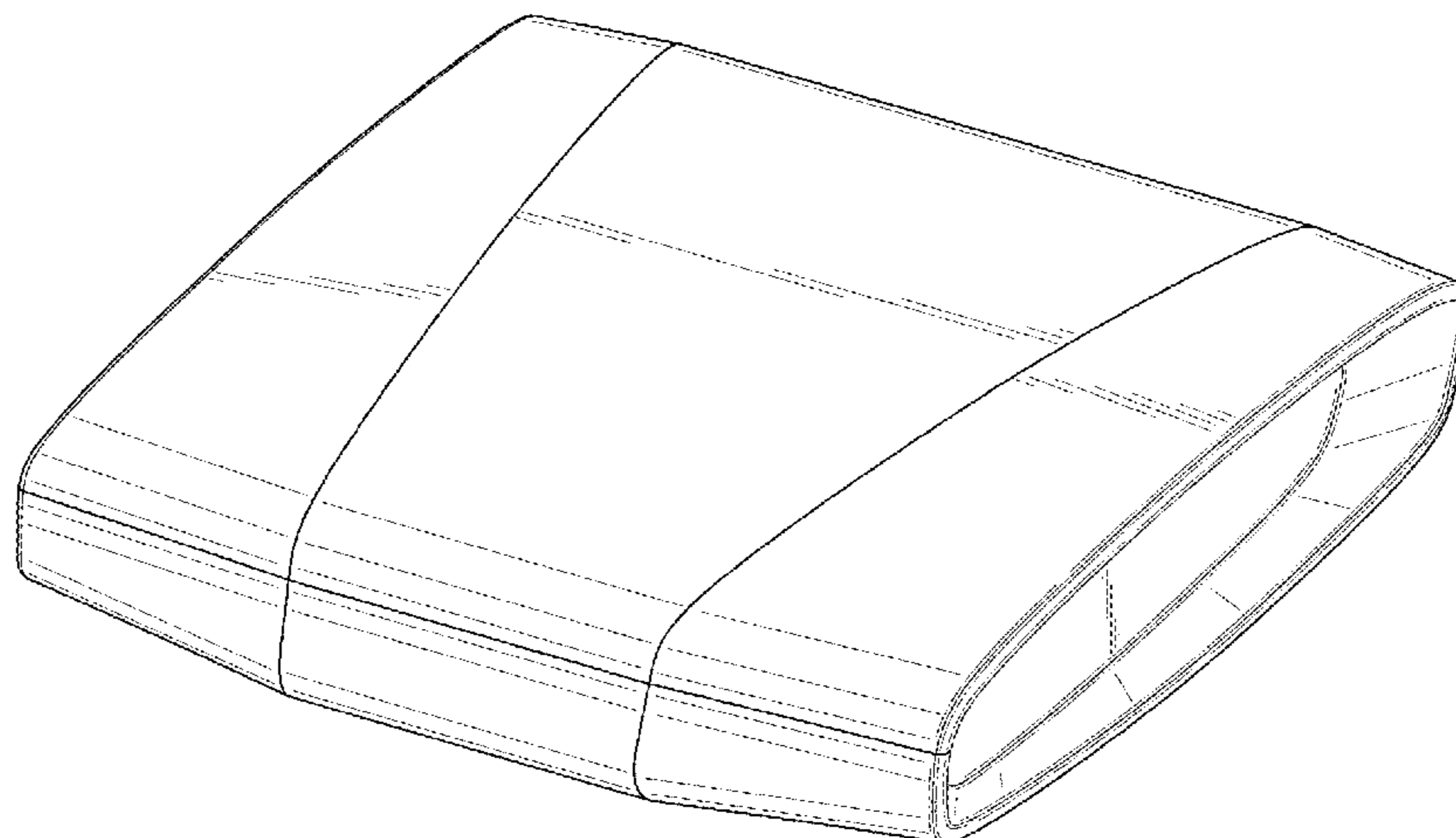
(Continued)

*Primary Examiner* — Cathron C Brooks  
*Assistant Examiner* — W. A. Teddy Falloway  
(74) *Attorney, Agent, or Firm* — Michael L. Leetzow,  
P.A.

(57) **CLAIM**  
The ornamental design for a headphone carrying case, as shown and described.

**DESCRIPTION**  
FIG. 1 is a right side perspective view of a headphone carrying case showing my new design;  
FIG. 2 is a front side view of the headphone carrying case shown in FIG. 1;  
FIG. 3 is a back side view of the headphone carrying case shown in FIG. 1;  
FIG. 4 is a left side view of the headphone carrying case shown in FIG. 1;  
FIG. 5 is a right side view of the headphone carrying case shown in FIG. 1;  
FIG. 6 is a top side view of the headphone carrying case shown in FIG. 1; and,  
FIG. 7 is a bottom side view of the headphone carrying case shown in FIG. 1.

**1 Claim, 5 Drawing Sheets**



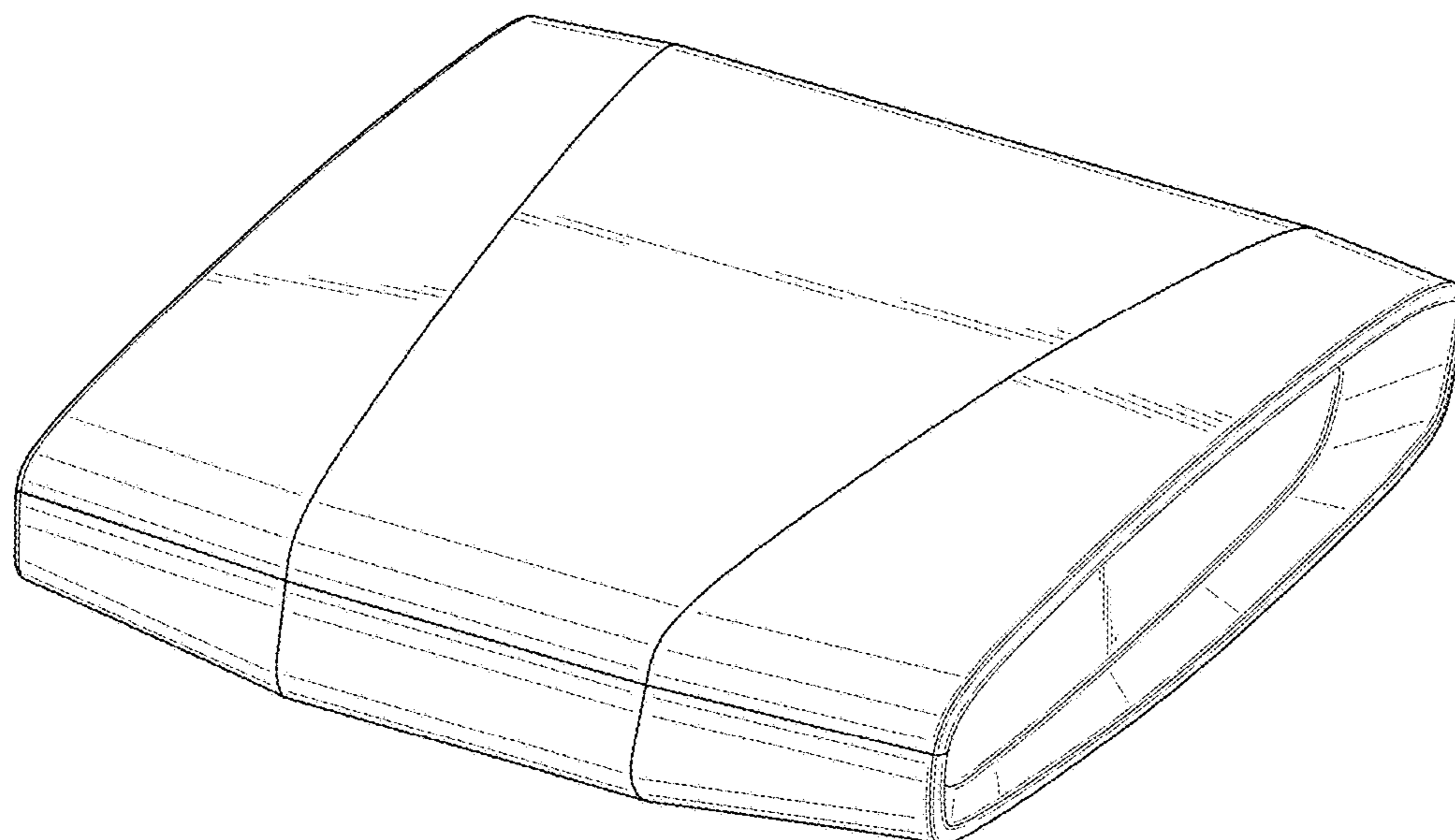
(56)

**References Cited**

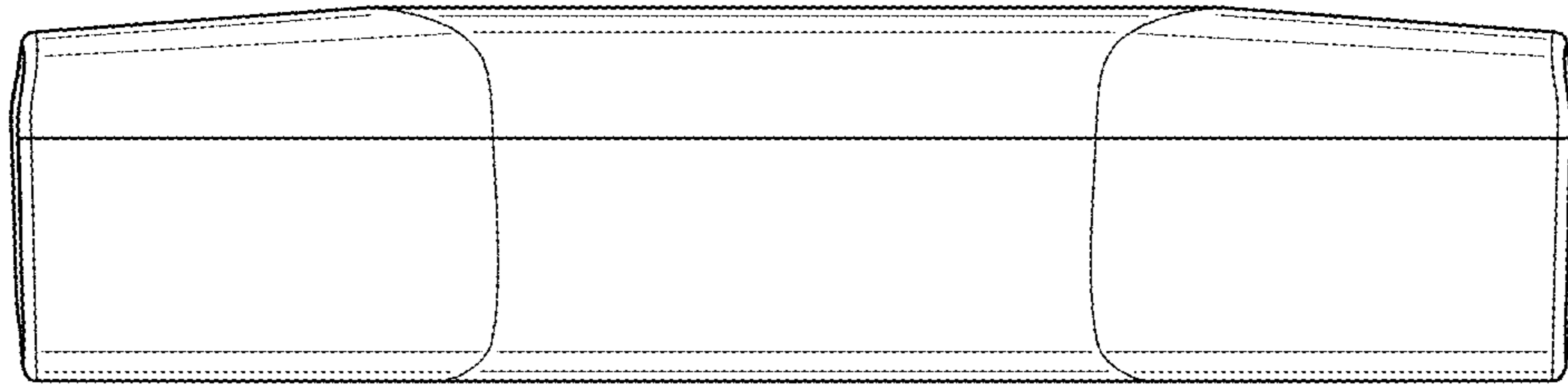
U.S. PATENT DOCUMENTS

D613,060 S \* 4/2010 Sao ..... D3/288  
D619,571 S \* 7/2010 Lee ..... D14/242  
D716,304 S \* 10/2014 Orthey ..... D14/385  
D717,048 S \* 11/2014 Meng ..... D3/294  
D730,899 S \* 6/2015 Daniel ..... D14/385  
D731,470 S \* 6/2015 Terasawa ..... D14/240  
D745,865 S \* 12/2015 Hsu ..... D14/240  
D789,338 S \* 6/2017 Moon ..... D14/240  
9,764,622 B2 \* 9/2017 Noichl ..... B60H 1/3421

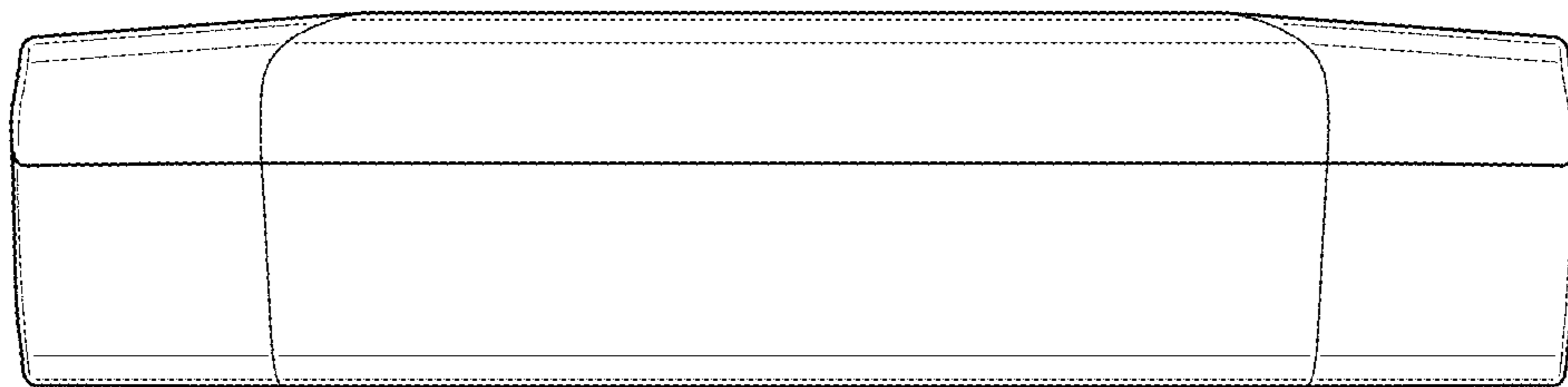
\* cited by examiner



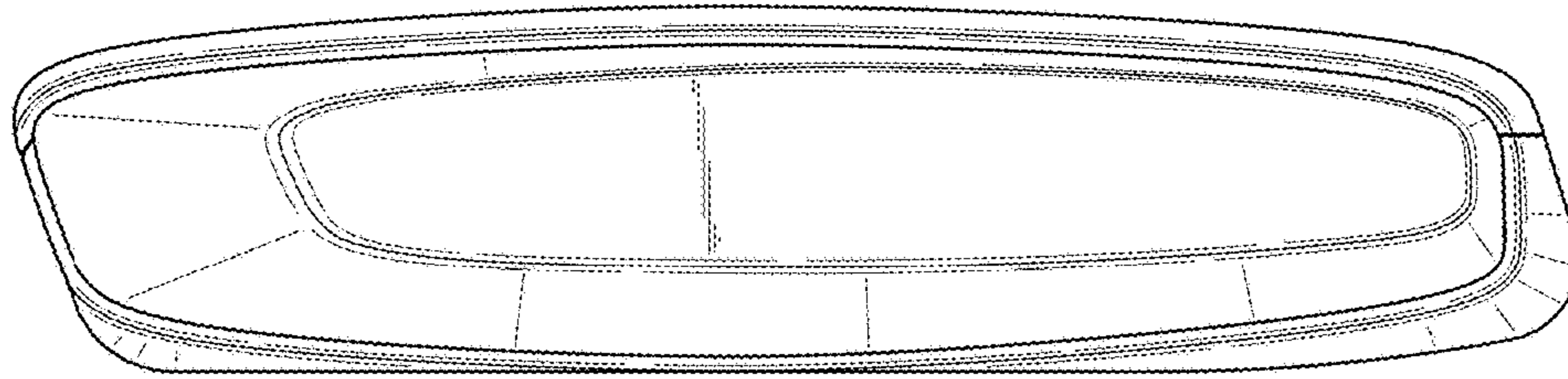
*Fig. 1*



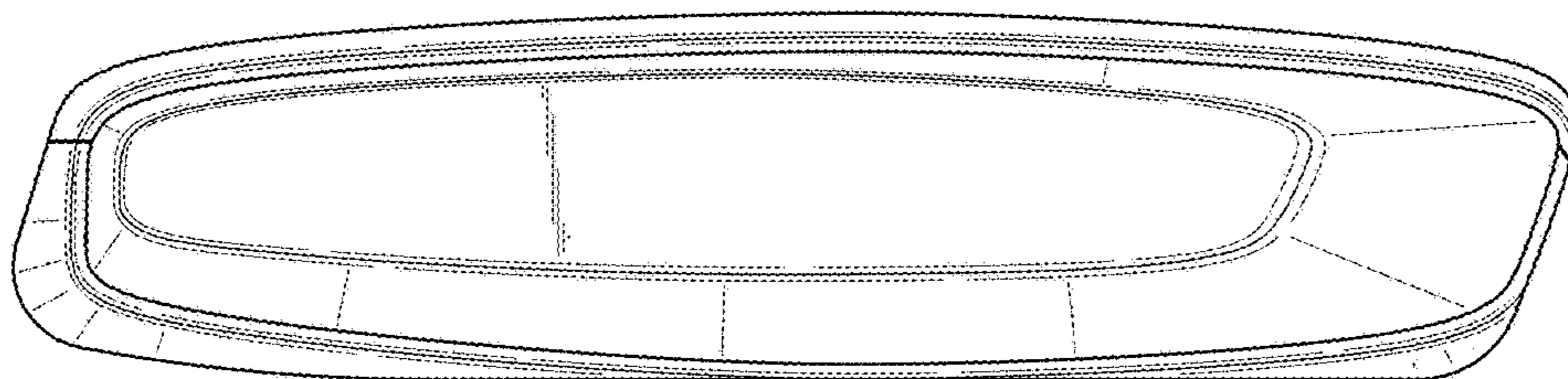
**Fig. 2**



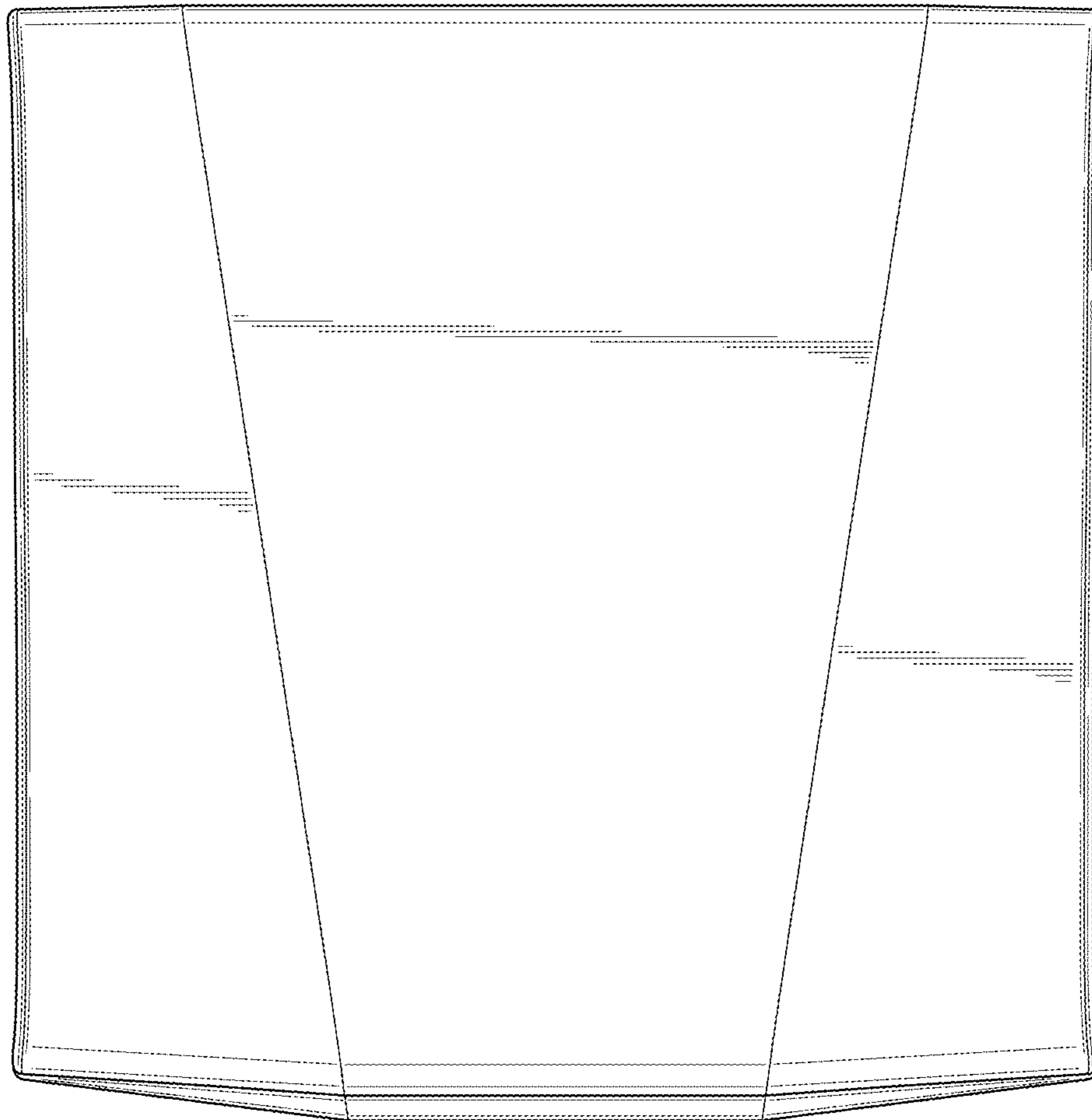
**Fig. 3**



*Fig. 4*

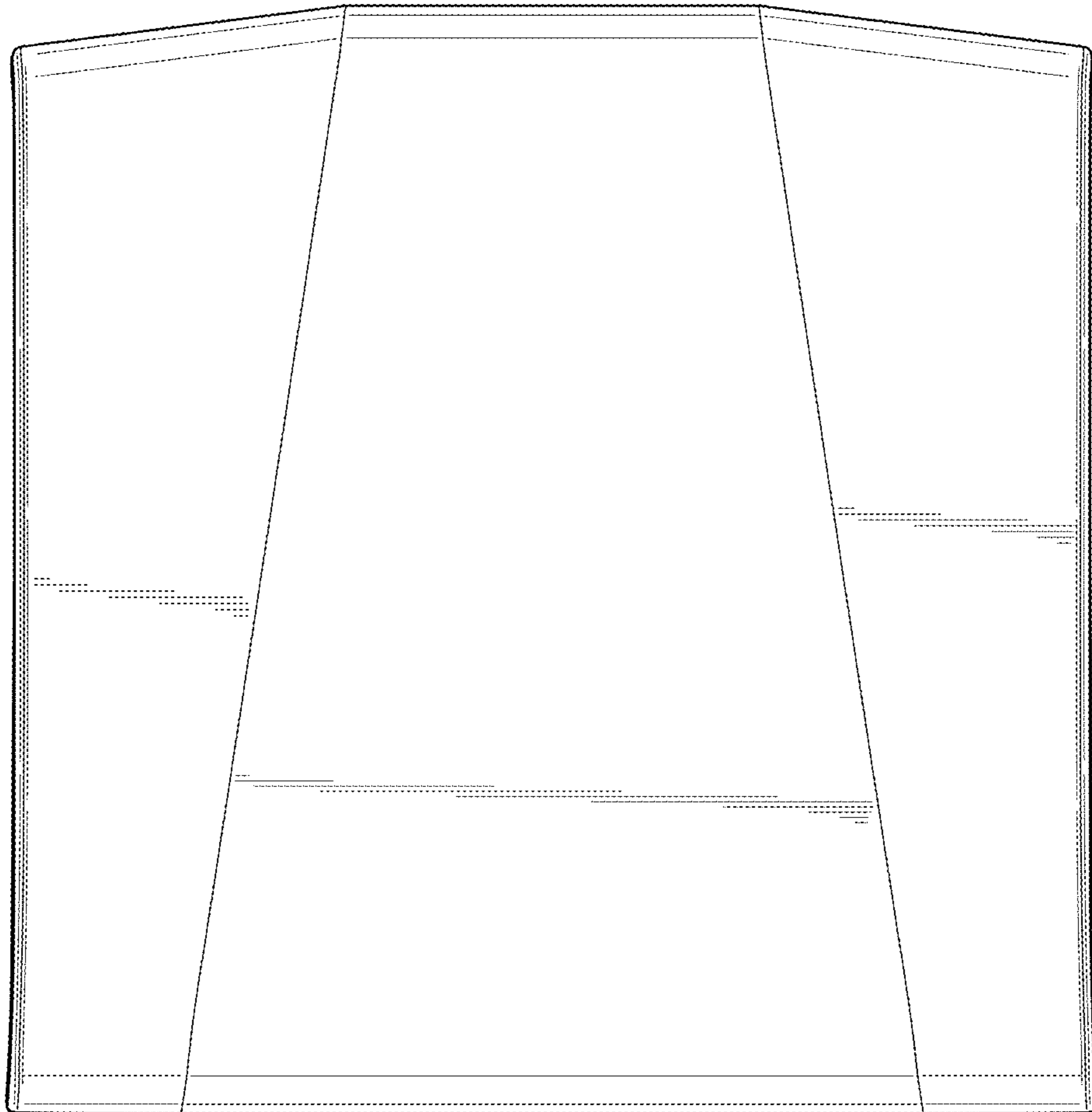


*Fig. 5*



**Fig. 6**





**Fig. 7**